



US00D591884S

(12) **United States Design Patent**
Tortel

(10) **Patent No.:** **US D591,884 S**

(45) **Date of Patent:** **** May 5, 2009**

(54) **OUTDOOR LIGHTING FIXTURE**

(75) Inventor: **Michel Tortel**,
Saint-Maximin-la-Sainte-Beaume (FR)

(73) Assignee: **Schreder, S.A.**, Brussels (BE)

(**) Term: **14 Years**

(21) Appl. No.: **29/307,855**

(22) Filed: **May 15, 2008**

(30) **Foreign Application Priority Data**

Nov. 16, 2007 (EM) 000829940-0002

(51) **LOC (9) Cl.** **26-05**

(52) **U.S. Cl.** **D26/67**

(58) **Field of Classification Search** D26/67-71,
D26/85, 92; 362/152, 183, 294, 373, 414,
362/431, 545, 800

See application file for complete search history.

(56) **References Cited**

U.S. PATENT DOCUMENTS

D60,453 S * 2/1922 Gosling et al. D26/67
D105,435 S * 7/1937 Griffin D26/67

D191,128 S * 8/1961 Curtin et al. D26/67
D194,480 S * 1/1963 Rodriguez et al. D26/71
D383,866 S * 9/1997 Brohard et al. D26/67
D504,536 S * 4/2005 Emory et al. D26/67
D529,218 S * 9/2006 Wen D26/68
D529,656 S * 10/2006 Wen D26/68
D553,779 S * 10/2007 Butler D26/67

* cited by examiner

Primary Examiner—Clare E Heflin

(74) *Attorney, Agent, or Firm*—Kirschstein, et al.

(57) **CLAIM**

The ornamental design for an outdoor lighting fixture, as shown and described.

DESCRIPTION

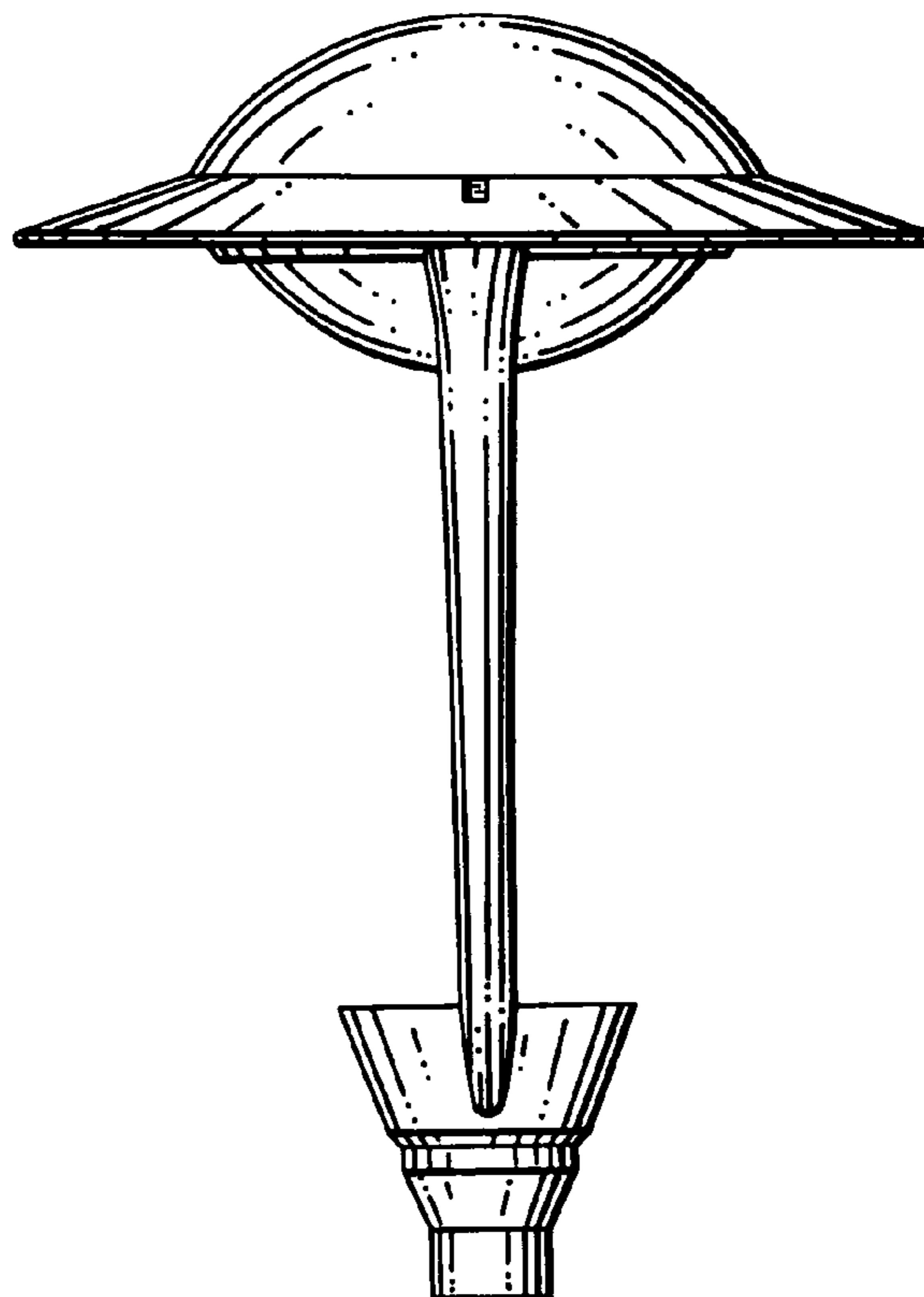
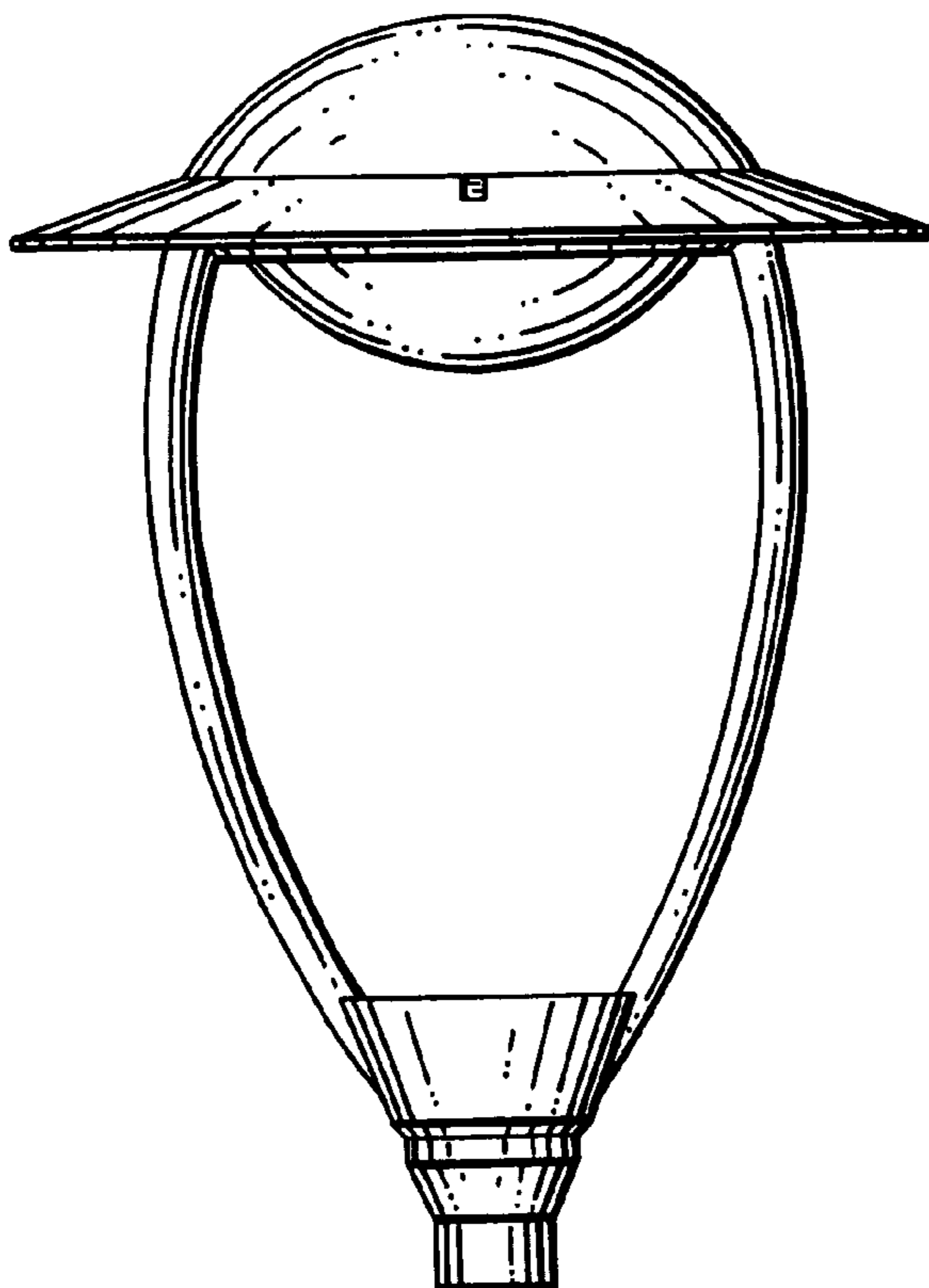
FIG. 1 is a front elevational view of an outdoor lighting fixture according to my design, the rear elevational view being a mirror image thereof;

FIG. 2 is a top plan view thereof;

FIG. 3 is a right side elevational view, the left side elevational view being a mirror image thereof; and,

FIG. 4 is a bottom plan view thereof.

1 Claim, 2 Drawing Sheets



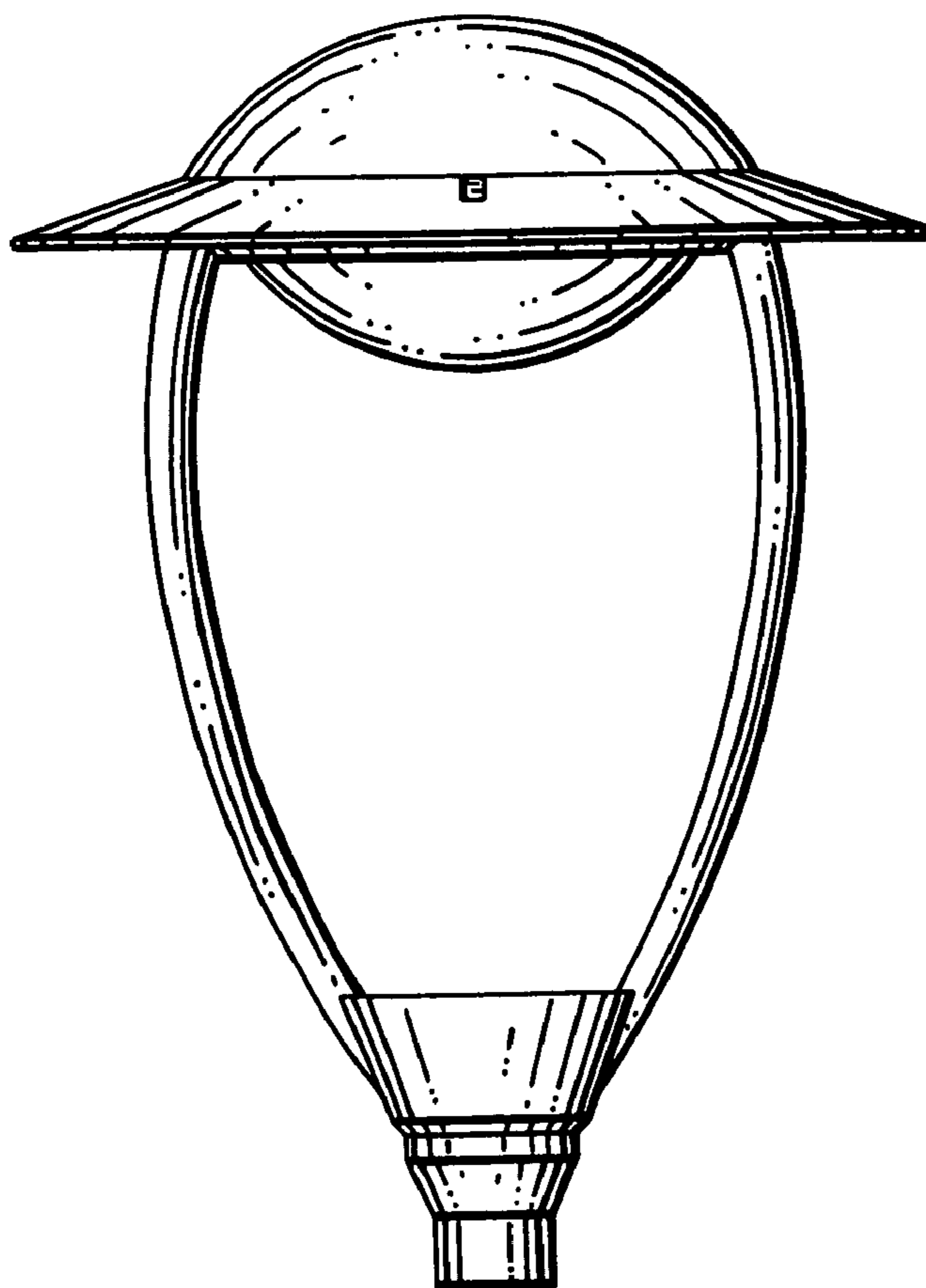


FIG. 1

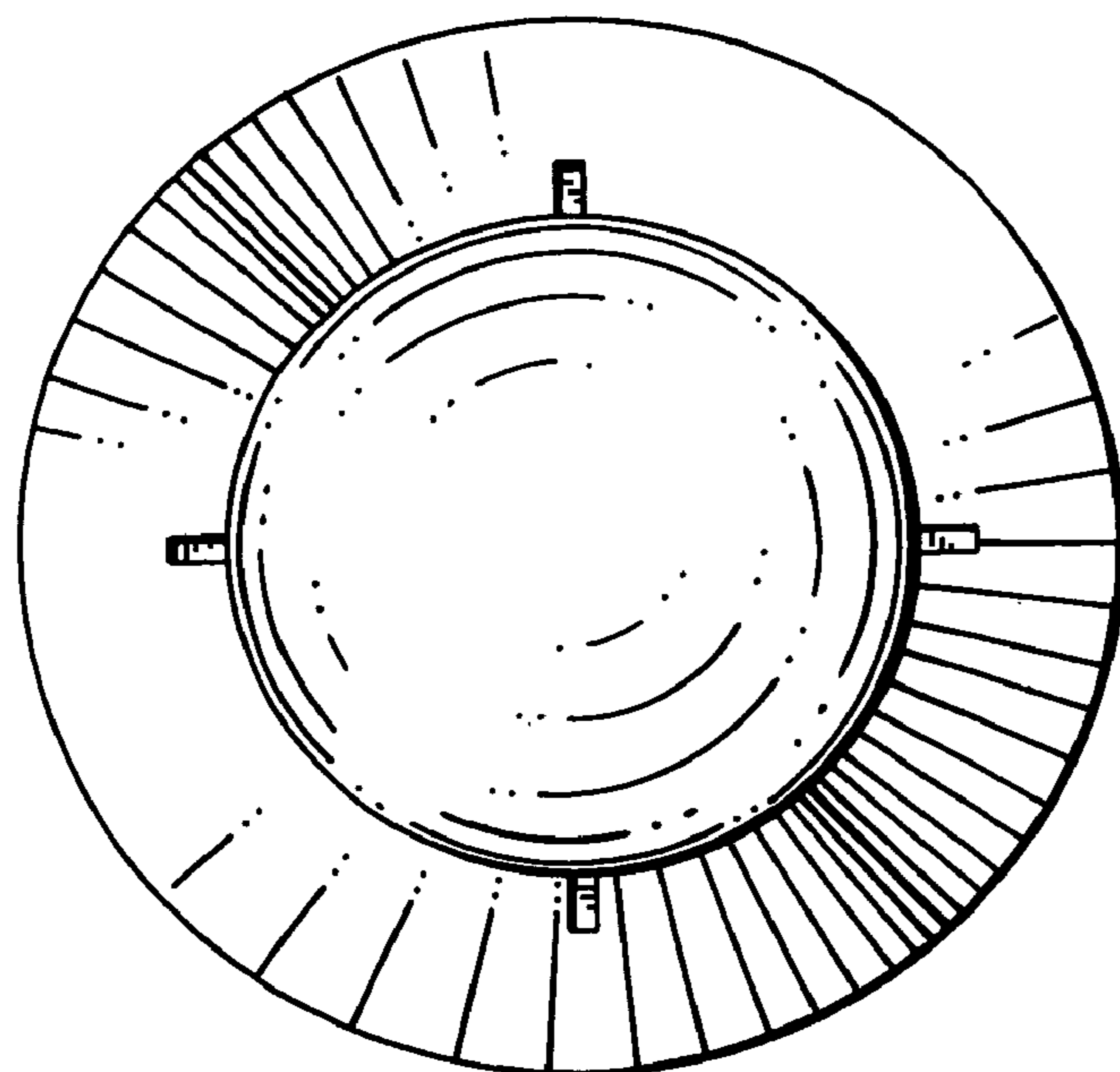


FIG. 2

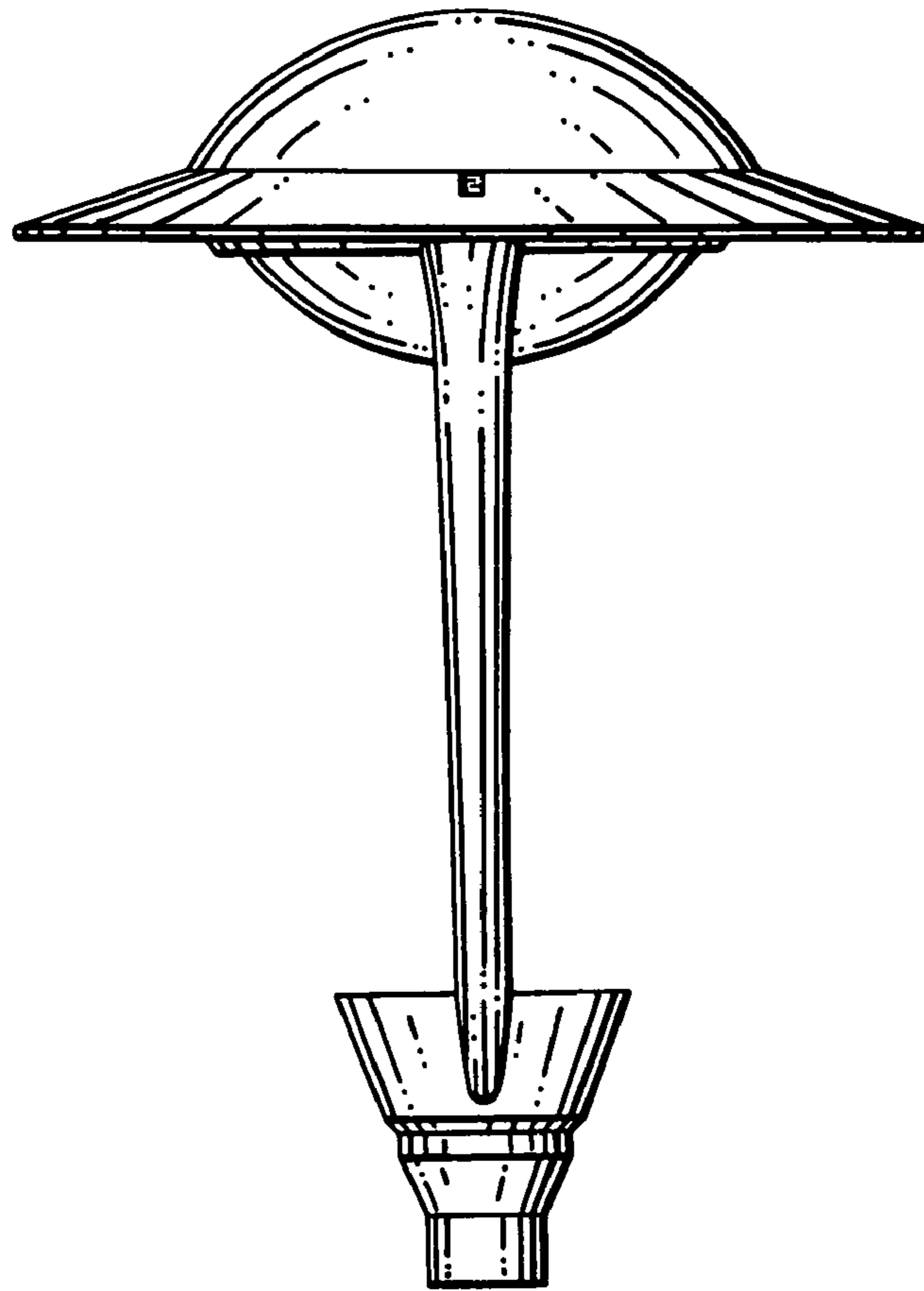


FIG. 3

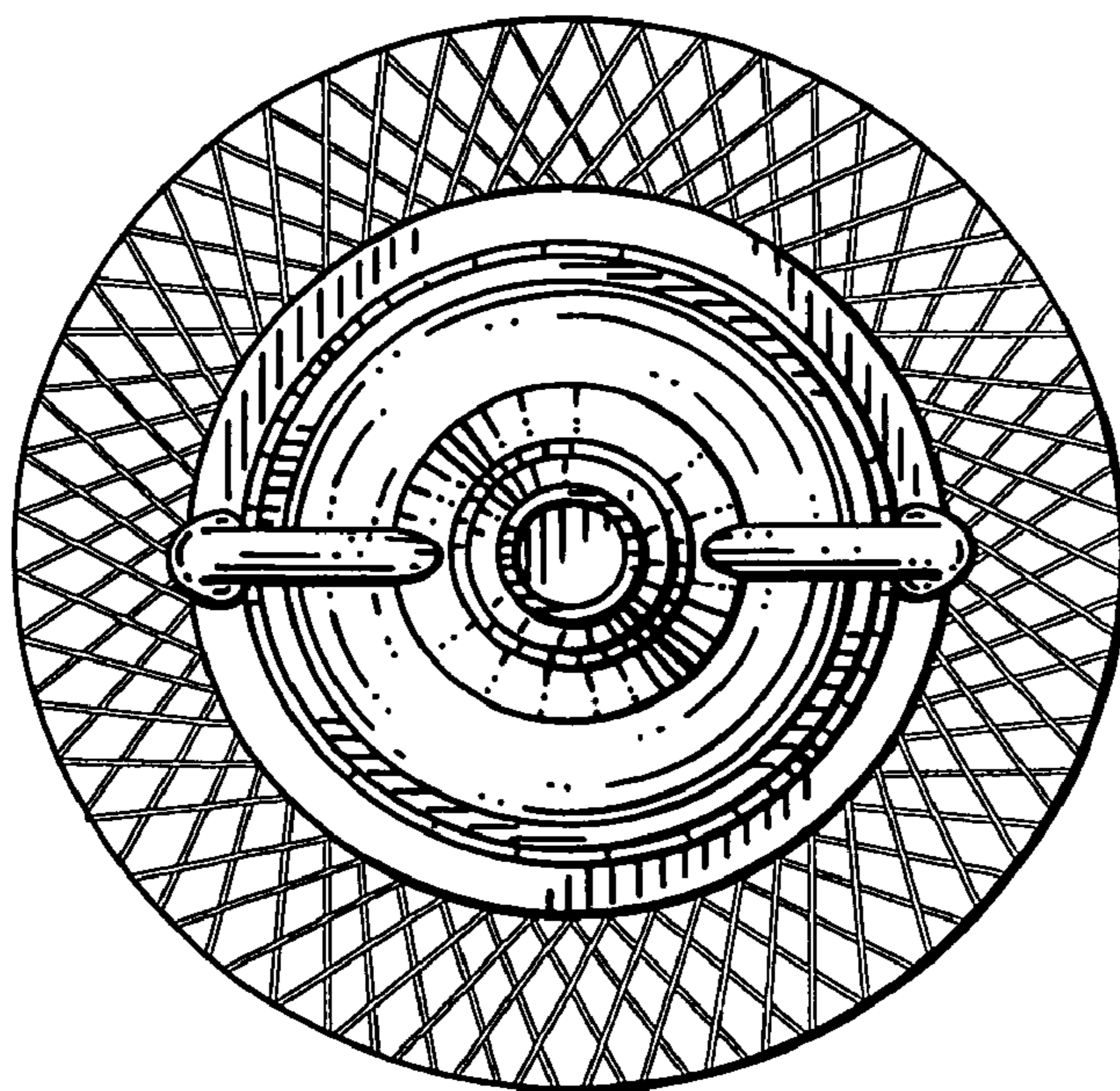


FIG. 4