



US00D591883S

(12) **United States Design Patent**
Gill

(10) **Patent No.:** **US D591,883 S**

(45) **Date of Patent:** **** May 5, 2009**

(54) **FLOOD LIGHT**

D566,318 S * 4/2008 Quiogue et al. D26/63
D577,141 S * 9/2008 Monroe D26/61

(75) Inventor: **Jason Jae Gill**, Omaha, NE (US)

* cited by examiner

(73) Assignee: **Well-Light Inc.**, Seoul (KR)

Primary Examiner—Cathron C Brooks

(**) Term: **14 Years**

Assistant Examiner—Barbara Fox

(21) Appl. No.: **29/317,323**

(74) *Attorney, Agent, or Firm*—Merchant & Gould P.C.

(22) Filed: **Apr. 28, 2008**

(57) **CLAIM**

(30) **Foreign Application Priority Data**

The ornamental design for flood light, as shown and described.

Mar. 27, 2008 (KR) 30-2008-0013197

DESCRIPTION

(51) **LOC (9) Cl.** **26-05**

FIG. 1 is a bottom plan view of a flood light showing my new design:

(52) **U.S. Cl.** **D26/63**

(58) **Field of Classification Search** D26/43,
D26/51, 56, 60–66, 72, 93, 107, 118, 128;
D24/210; 362/147, 191, 230, 231, 232, 238,
362/239, 250, 254, 255, 265, 269, 270, 275,
362/277, 278, 280–288, 306, 310, 311, 362,
362/396, 404, 410–414, 418–430, 449, 640,
362/647, 648, 652, 653, 655, 804, 99; 439/122
See application file for complete search history.

FIG. 2 is a front perspective view thereof, the light elements and interior structure not shown for ease of illustration;

FIG. 3 is a front elevational view thereof;

FIG. 4 is a rear elevational view thereof;

FIG. 5 is a rear perspective view thereof;

FIG. 6 is a front perspective view showing the location of the light elements and interior structure within the flood light;

FIG. 7 is a left side elevational view of the design of FIG. 1, the right side view being a mirror image; and,

FIG. 8 is a top plan view thereof.

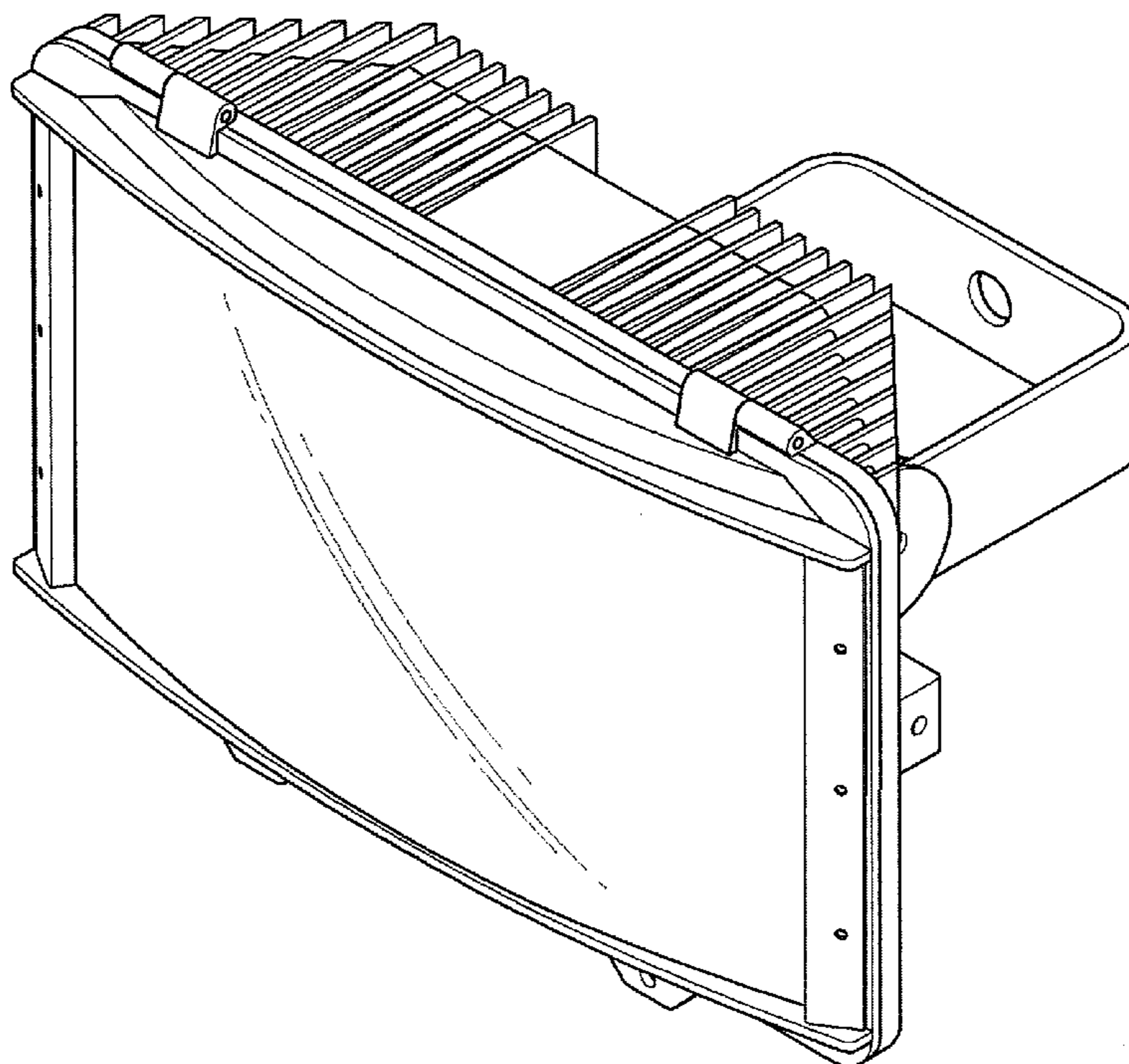
The broken line showing of the light elements and internal structure form no part of the claimed design.

(56) **References Cited**

U.S. PATENT DOCUMENTS

D189,760 S * 2/1961 Teague D26/65
4,972,301 A * 11/1990 Kasboske 362/549
D339,649 S * 9/1993 Klossner D26/63
D391,382 S * 2/1998 Rahn D26/63
D407,836 S * 4/1999 Leen D26/63

1 Claim, 8 Drawing Sheets



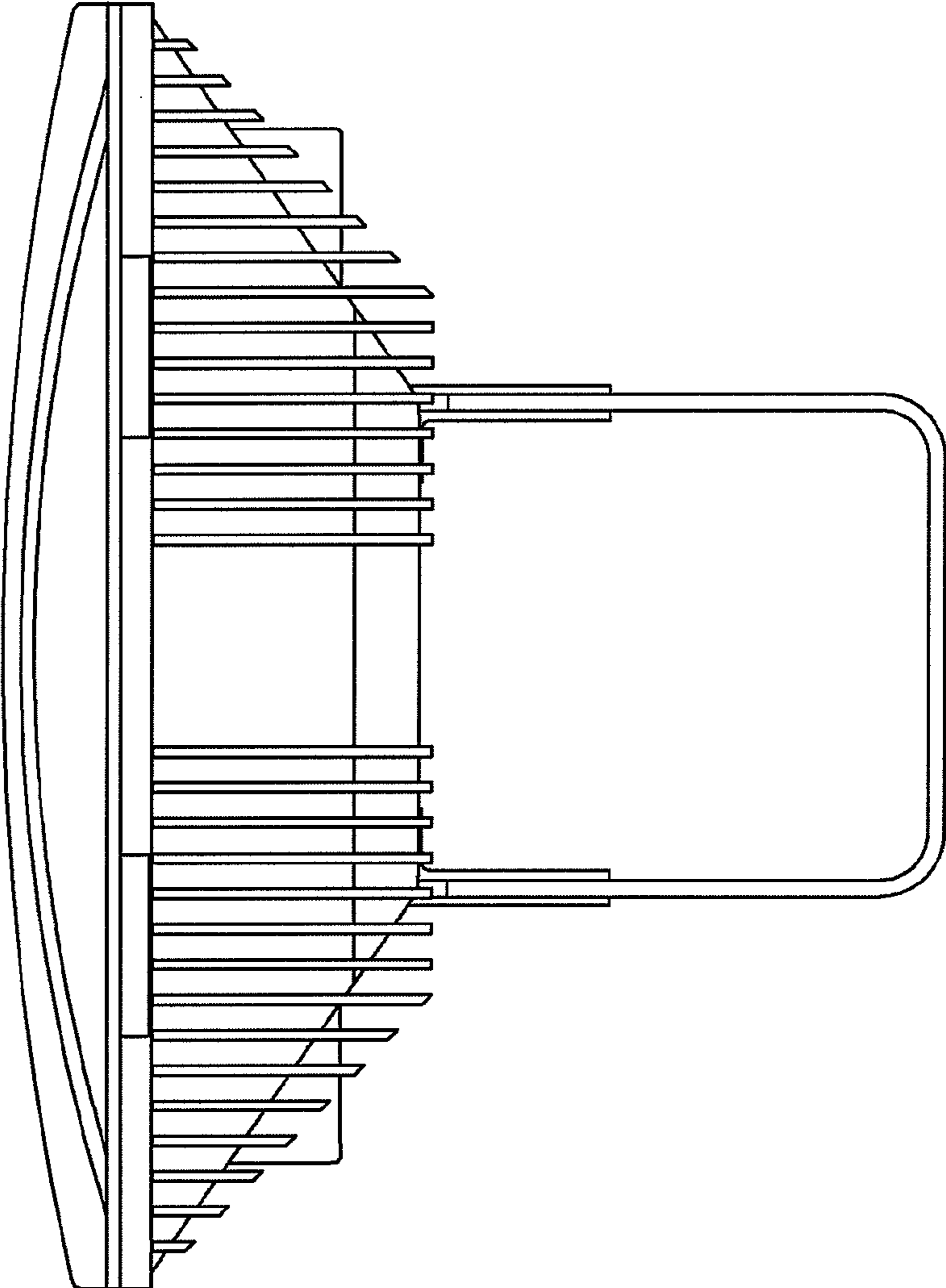


FIG. 1

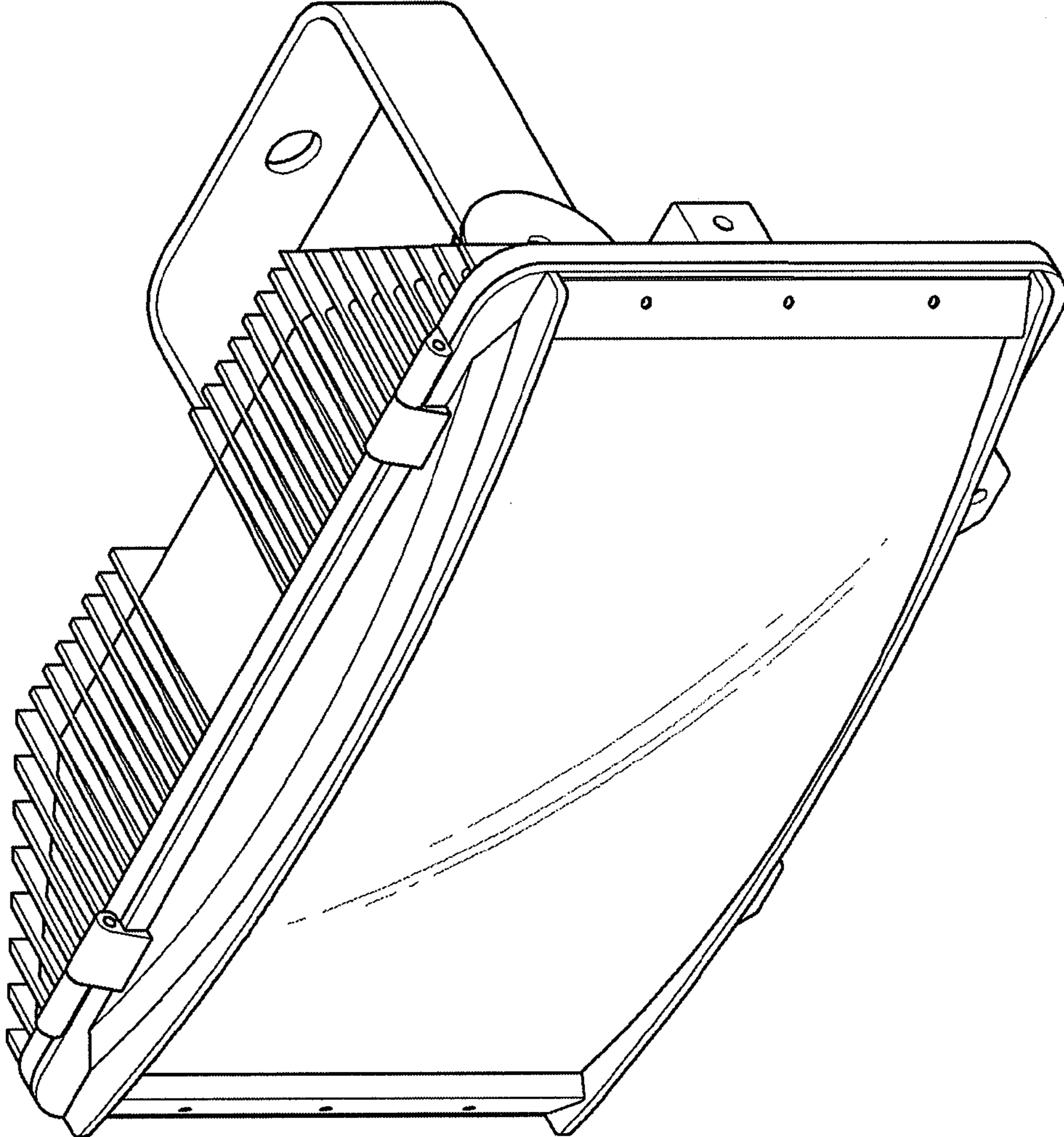


FIG. 2

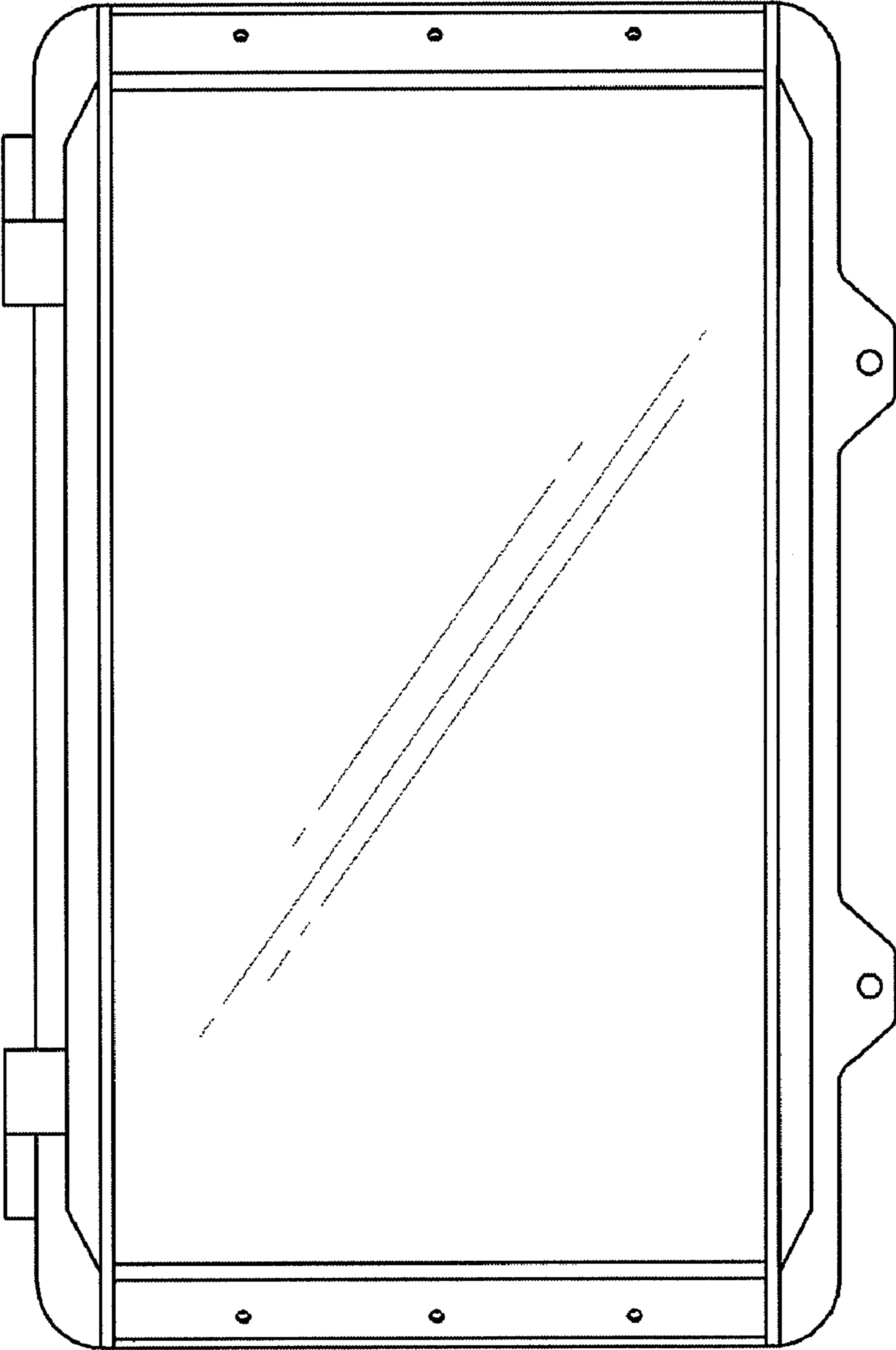


FIG. 3

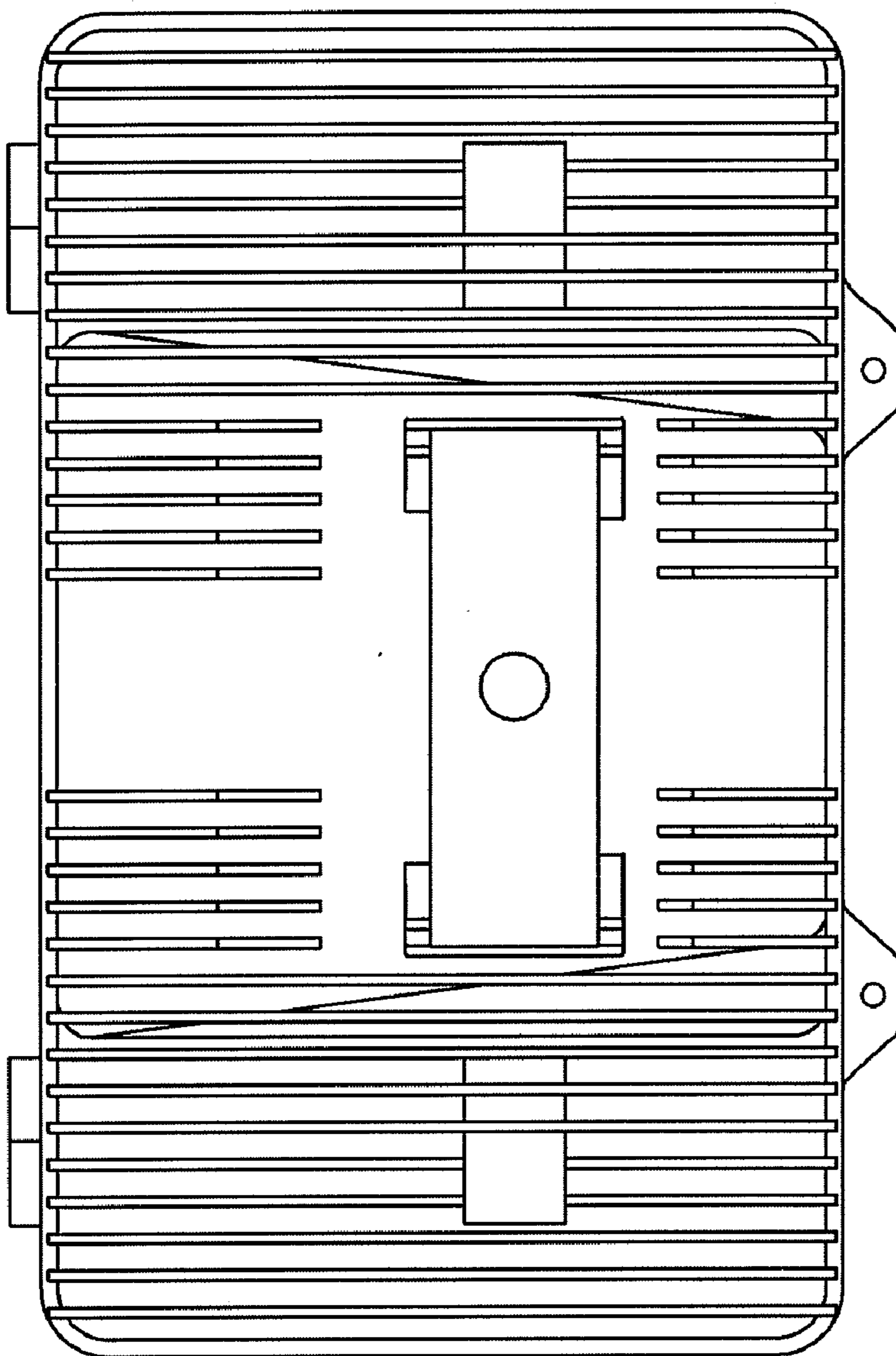


FIG. 4

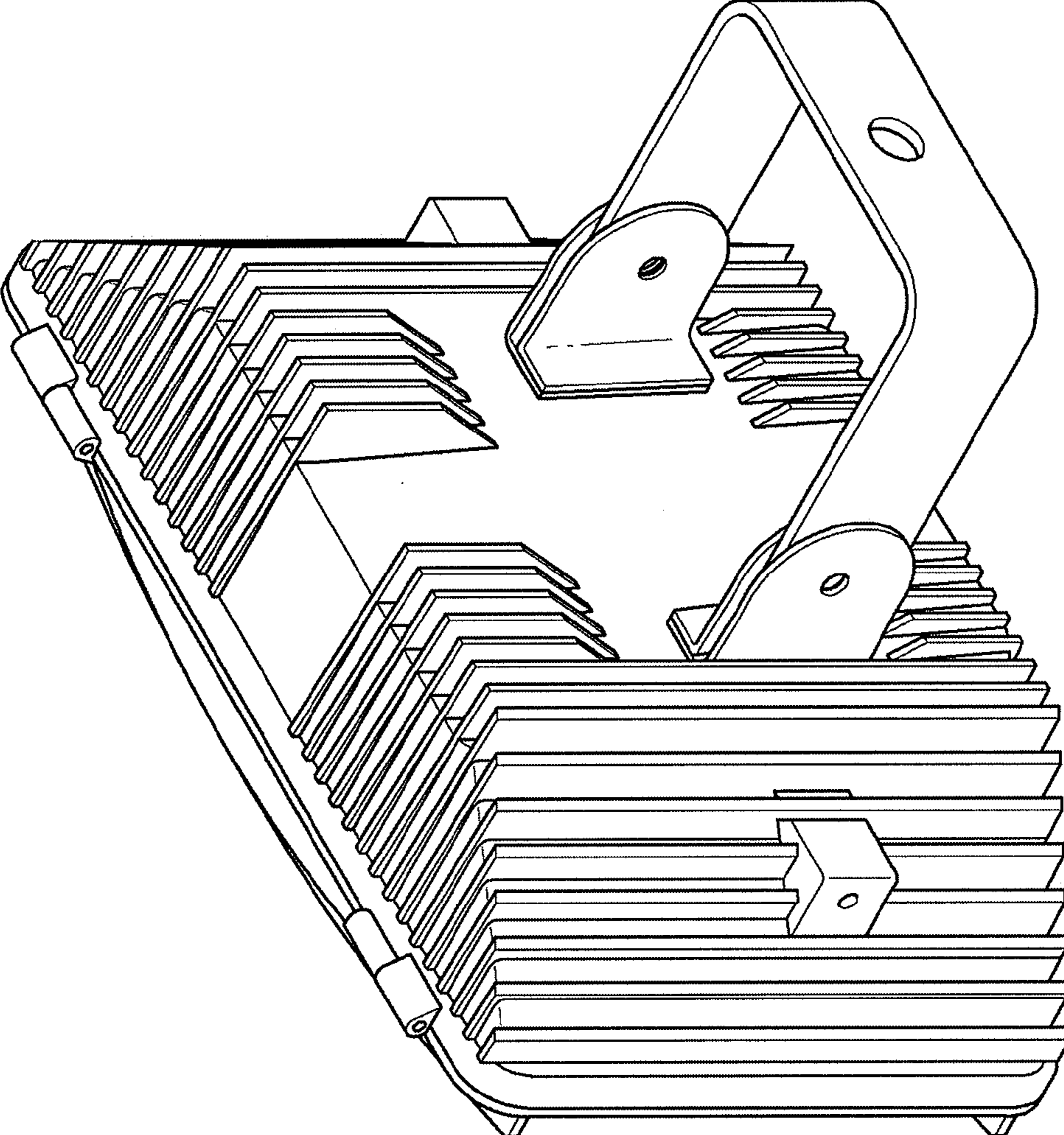


FIG. 5

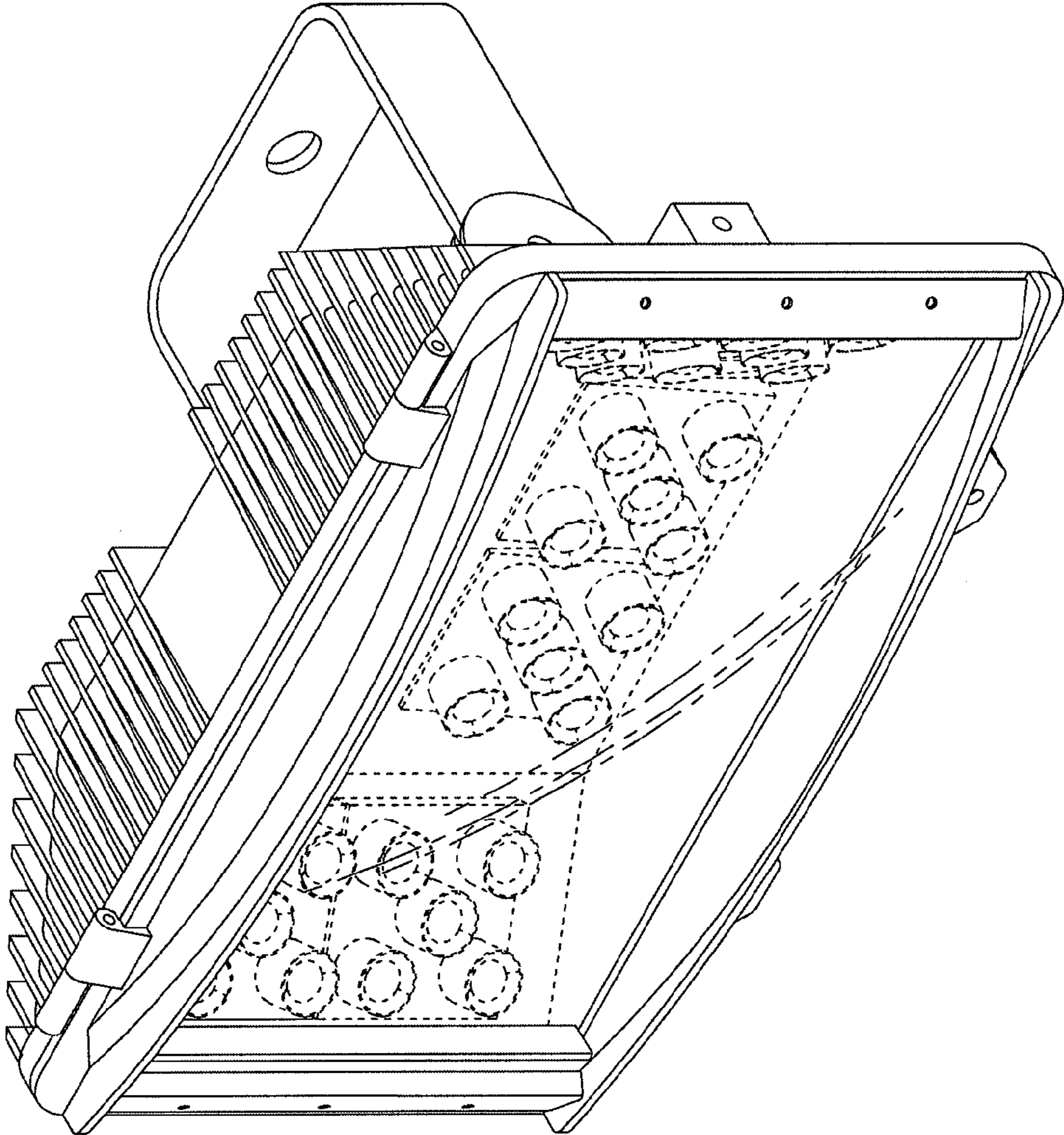


FIG. 6

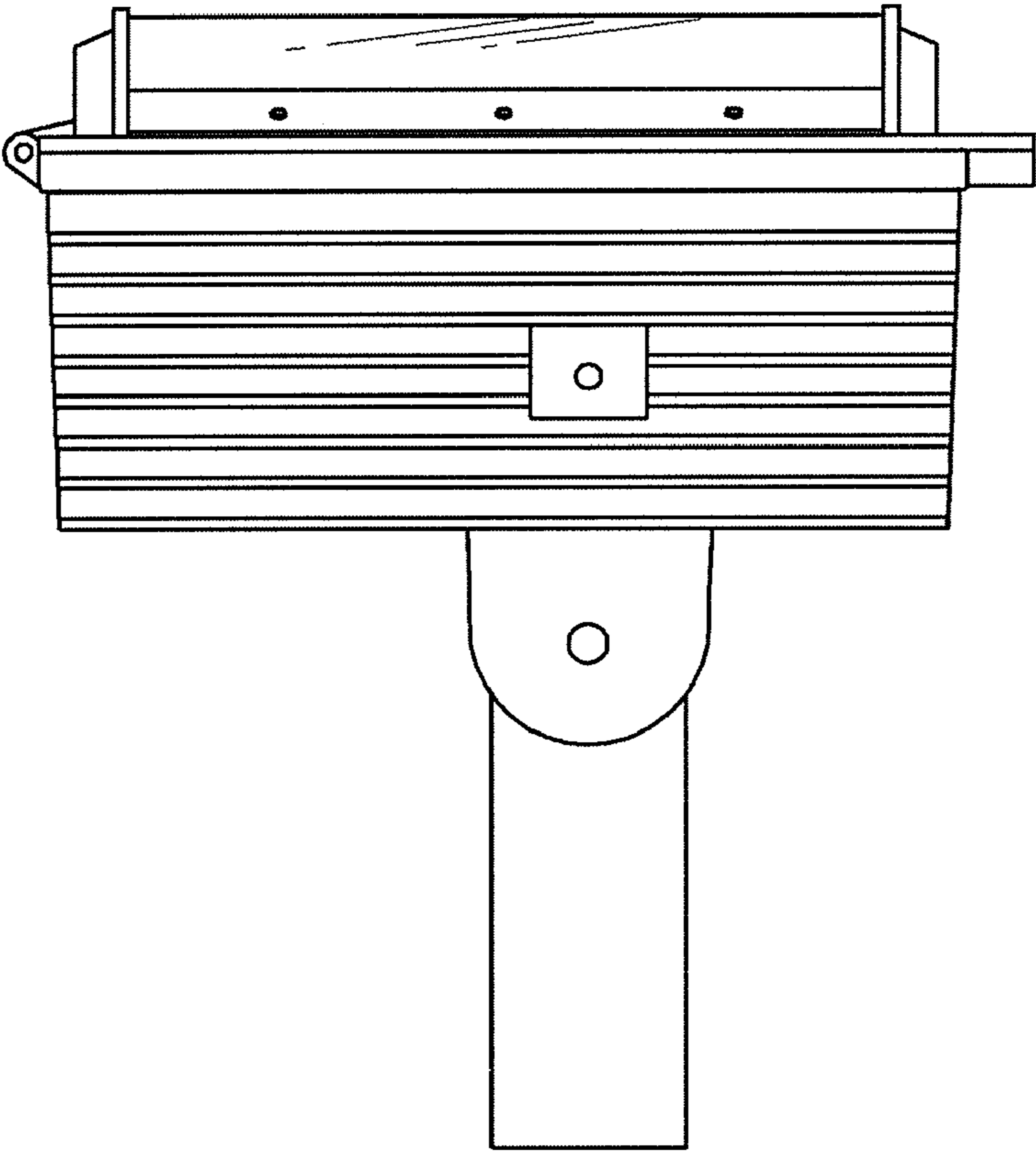


FIG. 7

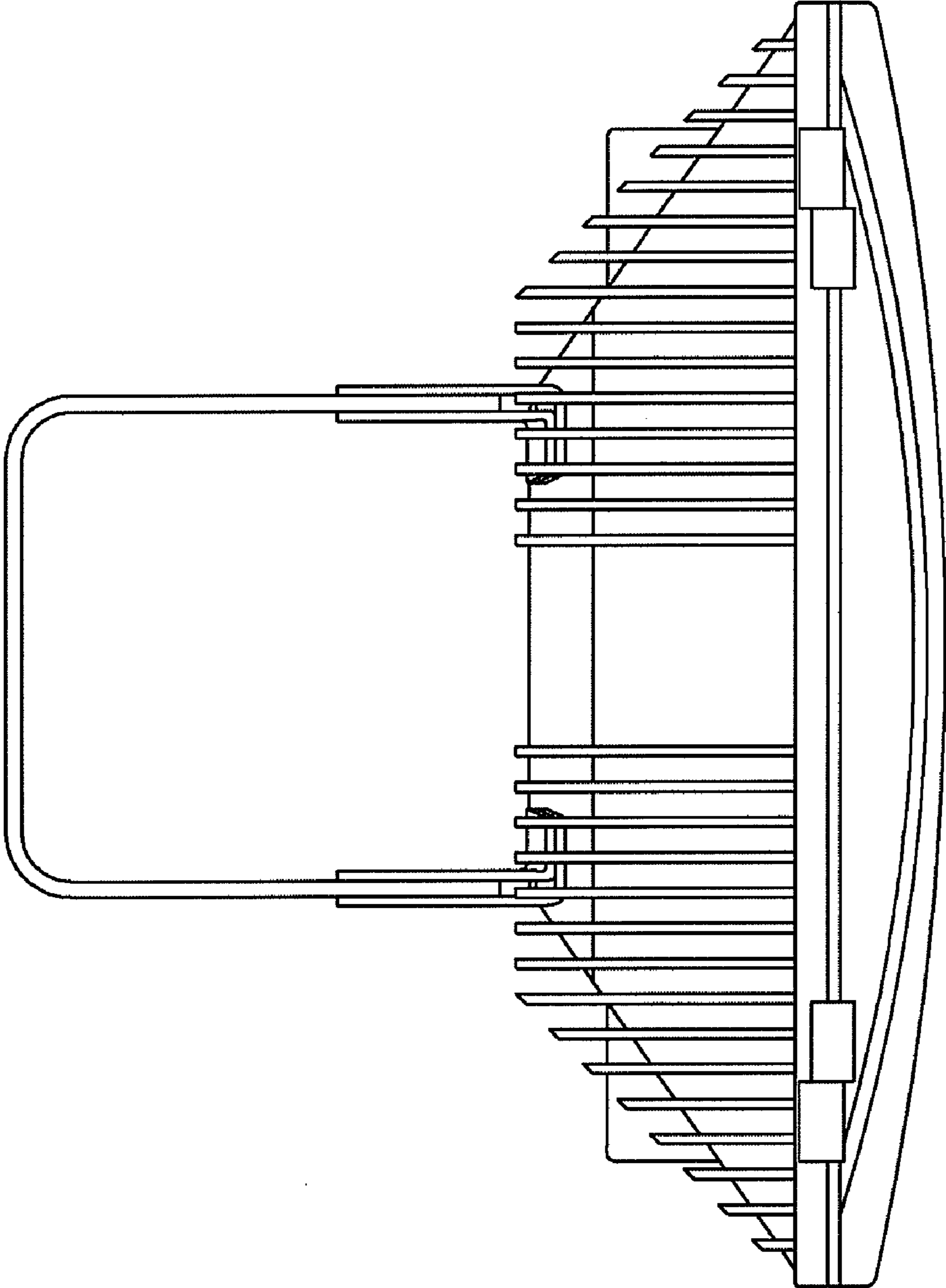


FIG. 8