



US00D591881S

(12) **United States Design Patent**
Crawford et al.

(10) **Patent No.:** **US D591,881 S**
(45) **Date of Patent:** **** May 5, 2009**

(54) **LIGHTING DEVICE**

(75) Inventors: **John Crawford**, Avon, OH (US);
Donwoong Kang, Camillus, NY (US);
Todd B. Abernethy, Syracuse, NY (US);
Scott W. Osiecki, Skaneateles, NY (US)

(73) Assignee: **Eveready Battery Co., Inc.**, St. Louis,
MO (US)

(**) Term: **14 Years**

(21) Appl. No.: **29/320,195**

(22) Filed: **Jun. 23, 2008**

Related U.S. Application Data

(63) Continuation-in-part of application No. 29/302,839,
filed on Jan. 25, 2008.

(51) **LOC (9) Cl.** **26-02**

(52) **U.S. Cl.** **D26/37**

(58) **Field of Classification Search** D26/37,
D26/46, 47, 48, 49; 362/157, 158, 183, 184,
362/187, 192, 193, 194-196, 200-208
See application file for complete search history.

(56) **References Cited**

U.S. PATENT DOCUMENTS

| | | | | |
|-----------|---|-----------|-------------------|--------|
| 2,876,410 | A | 3/1959 | Fry | |
| 3,634,680 | A | 1/1972 | Myrah | |
| D225,263 | S | 11/1972 | Bacevius | |
| 3,890,555 | A | 6/1975 | Nelson et al. | |
| 4,152,754 | A | 5/1979 | deFilippis et al. | |
| 4,357,648 | A | 11/1982 | Nelson | |
| D294,065 | S | 2/1988 | Wan | |
| D298,659 | S | * 11/1988 | Burns | D26/46 |
| 4,876,632 | A | 10/1989 | Osterhout et al. | |
| 4,914,555 | A | 4/1990 | Gammache | |
| D308,255 | S | 5/1990 | Emmerling | |

(Continued)

FOREIGN PATENT DOCUMENTS

EP 0325922 A2 8/1989

OTHER PUBLICATIONS

Novatac, Inc. "Flashlight User Guide EDC-85P or 120P," Jul. 2007,
pp. 1-15, Tucson, Arizona.

Primary Examiner—Ian Simmons

Assistant Examiner—Carissa C Fitts

(74) *Attorney, Agent, or Firm*—Gregory J. Adams

(57) **CLAIM**

We claim the ornamental design for a lighting device, as
shown and described.

DESCRIPTION

FIG. 1 is a front perspective view of a lighting device, show-
ing our new design;

FIG. 2 is a right side view thereof;

FIG. 3 is a bottom plan view thereof;

FIG. 4 is a left side view thereof;

FIG. 5 is a top plan view thereof;

FIG. 6 is a front view thereof;

FIG. 7 is a rear view thereof; and

FIG. 8 is left side view of a lighting device showing a second
embodiment of our new design without a clipping device
wherein the design of the second embodiment has the same
appearance as the first embodiment without the clip detail.

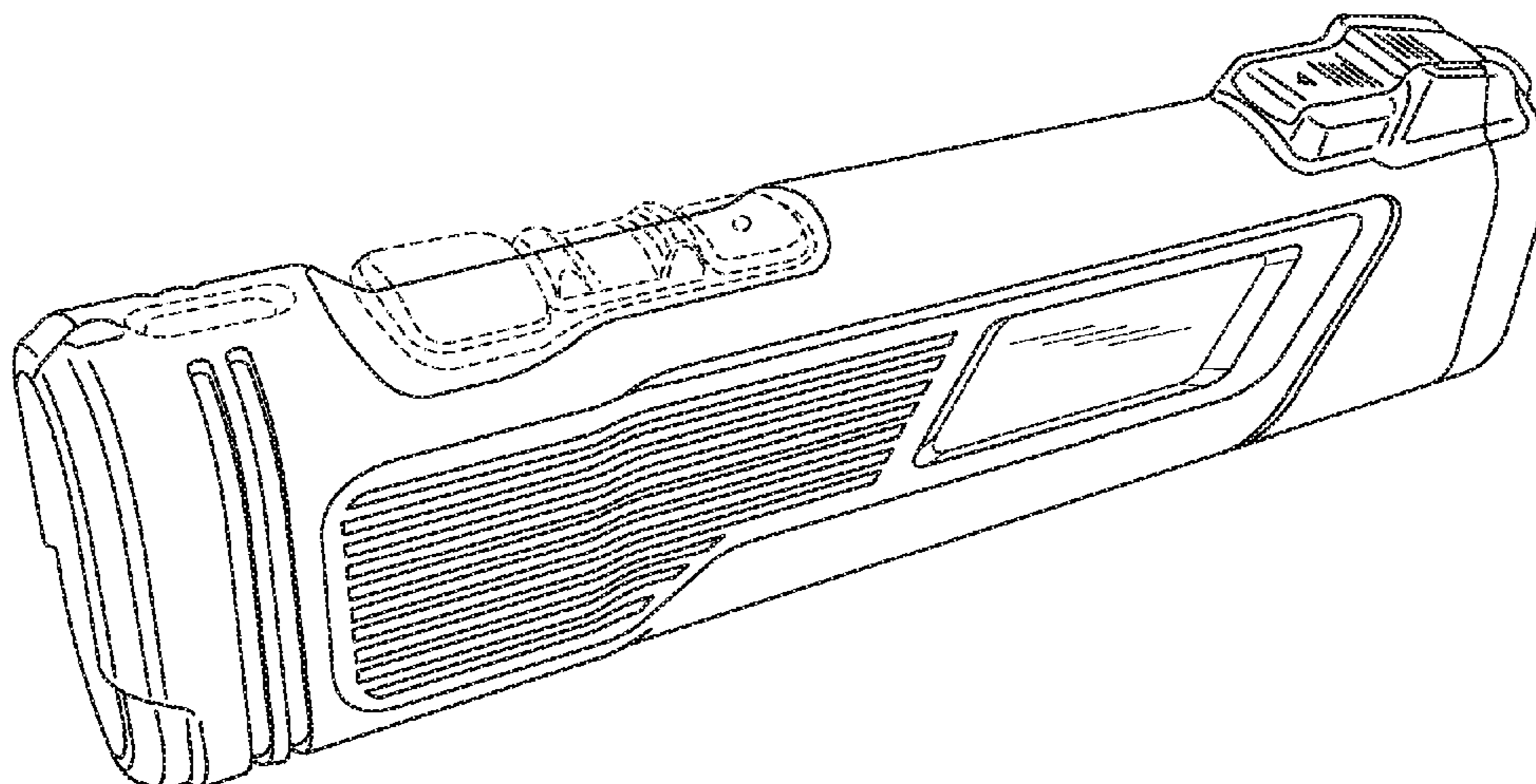
FIG. 9 is a front perspective view of a lighting device, show-
ing a third embodiment of our new design;

FIG. 10 is a right side view of the lighting device thereof; and,

FIG. 11 is a rear view thereof, wherein the bottom view, left
side view and front view of the lighting device of FIG. 9 is the
same as the views illustrated in FIGS. 3-6 respectively.

The broken line showing is superimposed on the continuous
surface of the claimed design, is for illustrative purposes only,
and forms no part of the claimed design.

1 Claim, 3 Drawing Sheets



US D591,881 S

Page 2

U.S. PATENT DOCUMENTS

| | | | | | | | |
|--------------|---------|---------------------|---------|-------------------|---------|-------------------|---------|
| D311,067 S | 10/1990 | Chabria | | 6,547,414 B2 | 4/2003 | Steger | |
| D311,777 S * | 10/1990 | Stearns | D26/42 | D477,432 S | 7/2003 | Parsons | |
| D317,310 S * | 6/1991 | Schwartz | D14/218 | D479,350 S * | 9/2003 | Herman | D26/38 |
| D317,941 S * | 7/1991 | Chao | D26/37 | D484,624 S | 12/2003 | Shiu | |
| D329,059 S | 9/1992 | Lee | | D485,627 S | 1/2004 | Chun | |
| 5,293,156 A | 3/1994 | Shoji et al. | | 6,769,787 B2 | 8/2004 | Ferguson et al. | |
| 5,558,430 A | 9/1996 | Booty, Jr. | | 6,880,950 B2 | 4/2005 | Chan | |
| 5,629,105 A | 5/1997 | Matthews | | 6,945,666 B2 | 9/2005 | Woolfson | |
| D381,099 S | 7/1997 | Yuen | | 7,084,899 B2 | 8/2006 | Williams | |
| 5,642,932 A | 7/1997 | Matthews | | 7,140,745 B2 | 11/2006 | Yuen | |
| 5,684,378 A | 11/1997 | Furth et al. | | 7,186,000 B2 | 3/2007 | Lebens et al. | |
| D388,713 S * | 1/1998 | Yuen | D10/5 | D543,649 S | 5/2007 | Bhavnani | |
| 5,847,540 A | 12/1998 | Burns et al. | | D544,976 S * | 6/2007 | Lui | D26/46 |
| D422,731 S * | 4/2000 | Parsons et al. | D26/46 | 7,281,820 B2 | 10/2007 | Bayat et al. | |
| D433,401 S * | 11/2000 | Chan | D14/168 | D566,312 S | 4/2008 | Lui | |
| 6,186,641 B1 | 2/2001 | Parker | | 2001/0033481 A1 | 10/2001 | Chien | |
| D438,528 S * | 3/2001 | Chan | D14/168 | 2003/0179573 A1 * | 9/2003 | Chun | 362/200 |
| 6,276,088 B1 | 8/2001 | Matthews et al. | | 2005/0036306 A1 | 2/2005 | Hsien | |
| 6,280,053 B1 | 8/2001 | Chien | | 2005/0122710 A1 | 6/2005 | Kim | |
| 6,316,911 B1 | 11/2001 | Moskowitz et al. | | 2005/0243542 A1 | 11/2005 | Kim | |
| 6,386,730 B1 | 5/2002 | Matthews | | 2006/0082991 A1 | 4/2006 | Hrabal | |
| 6,454,534 B1 | 9/2002 | Hee | | 2006/0098424 A1 | 5/2006 | Yuen | |
| 6,485,160 B1 | 11/2002 | Sommers et al. | | 2007/0139916 A1 | 6/2007 | Vermillion et al. | |
| D466,636 S | 12/2002 | Chun | | 2007/0159815 A1 | 7/2007 | Bayat et al. | |

* cited by examiner

FIG. 1

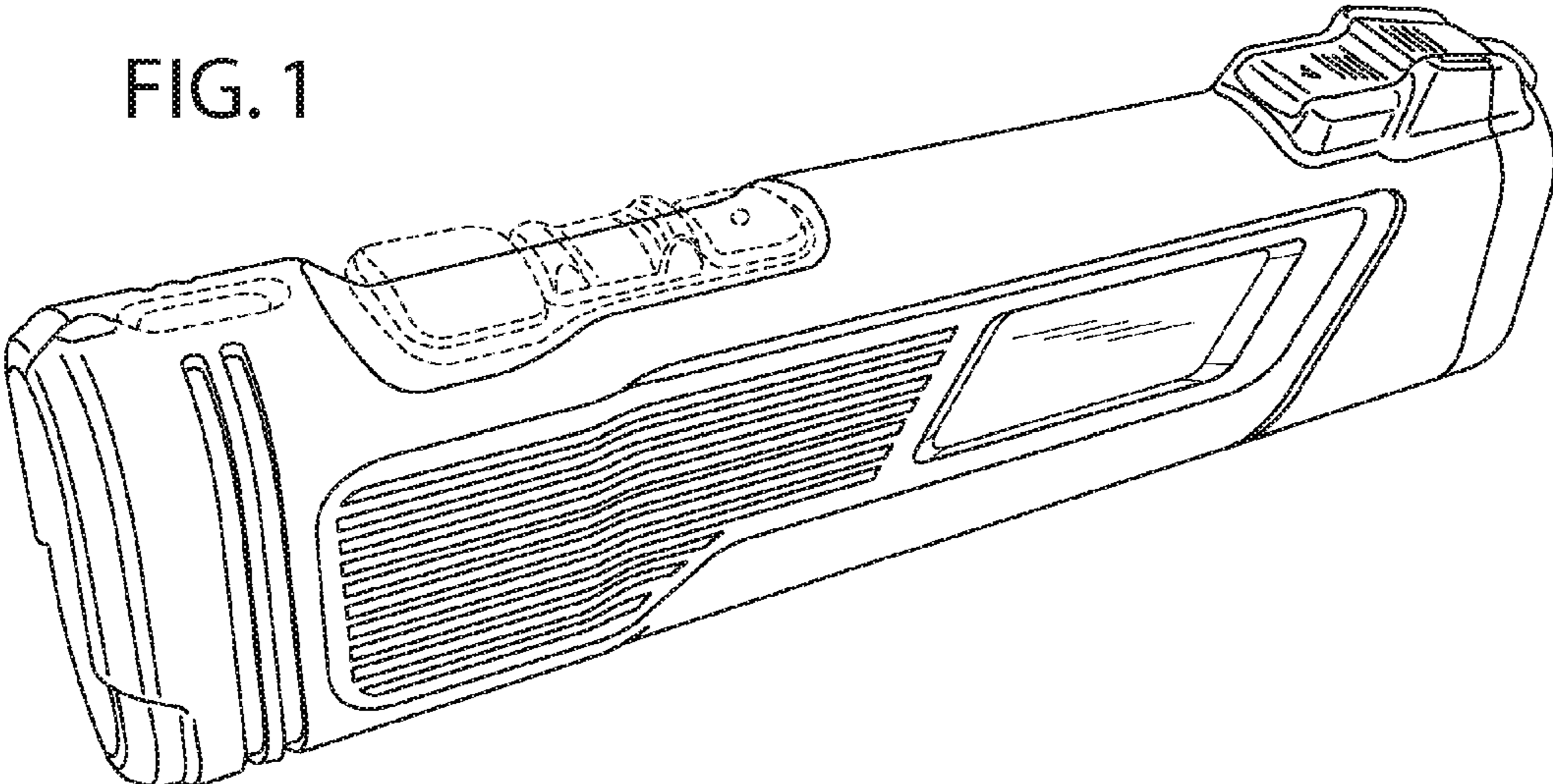


FIG. 2

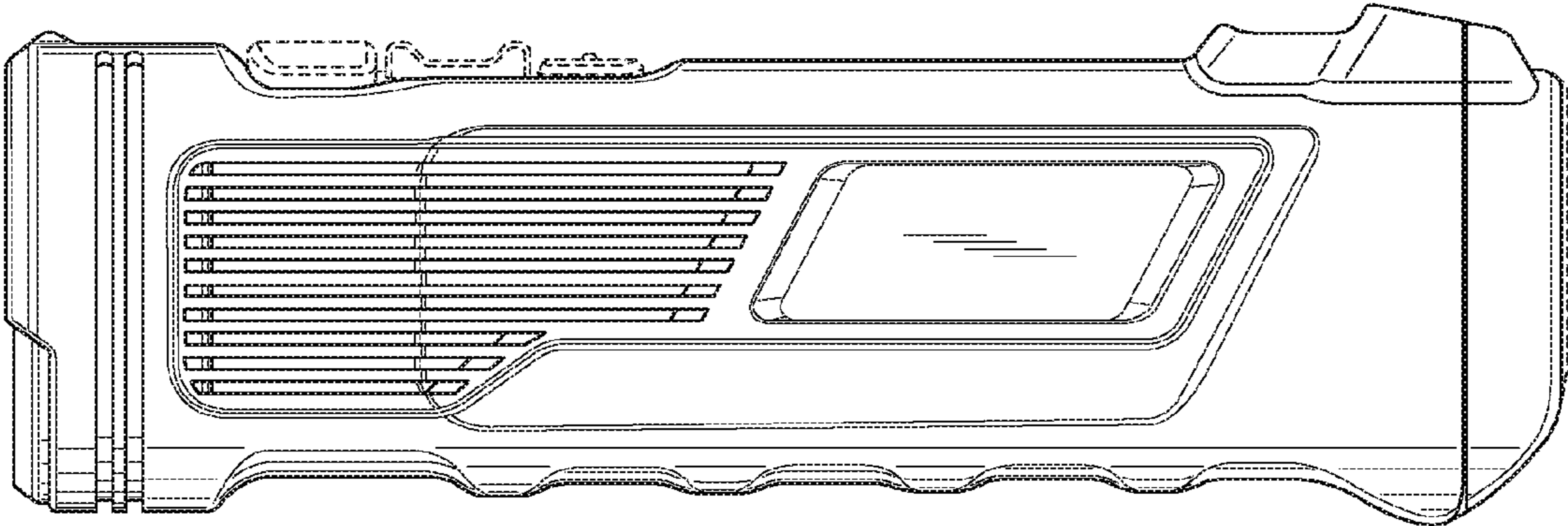


FIG. 3

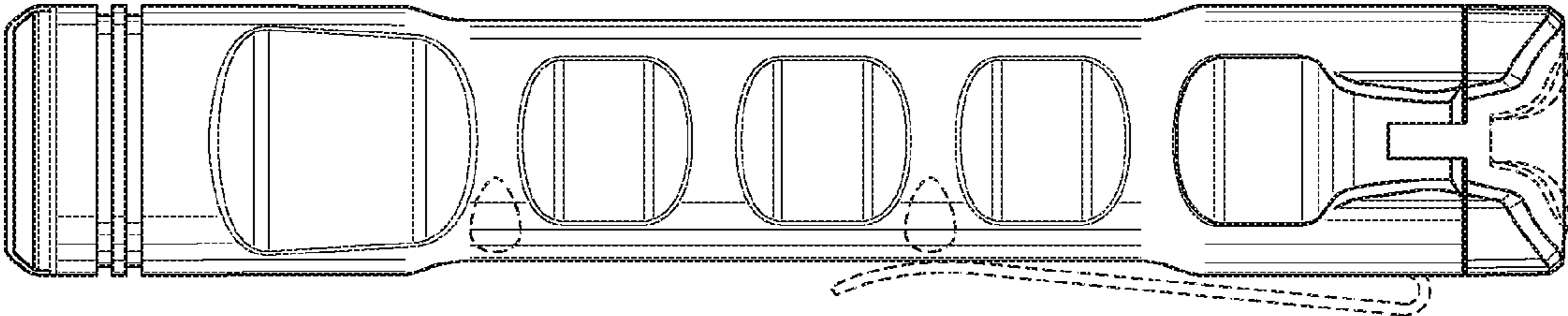


FIG. 4

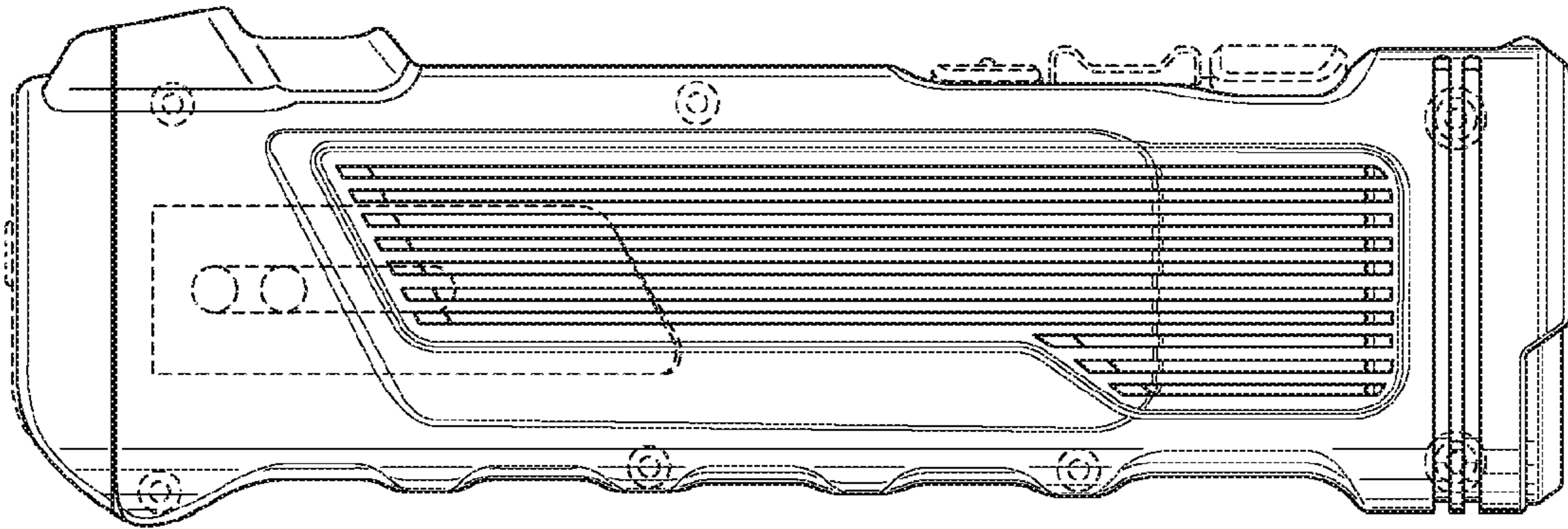


FIG. 5

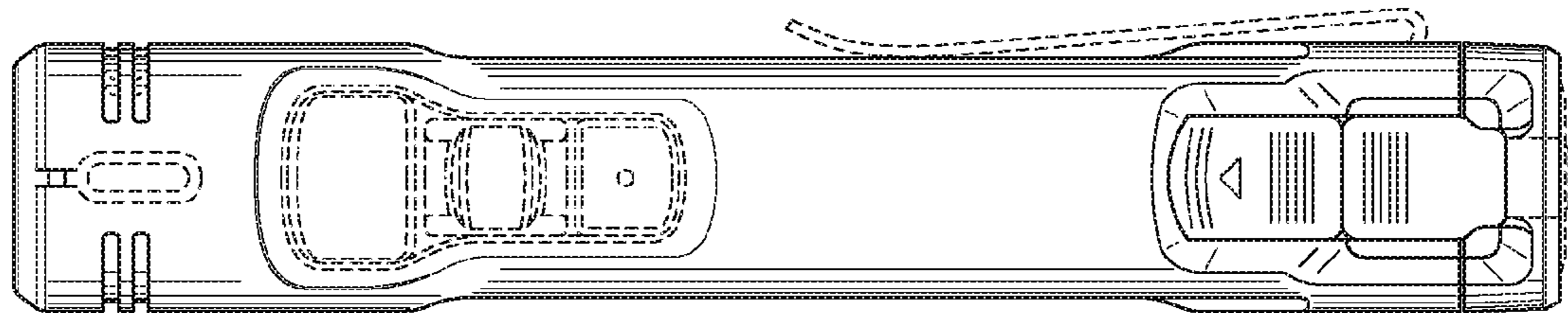


FIG. 6

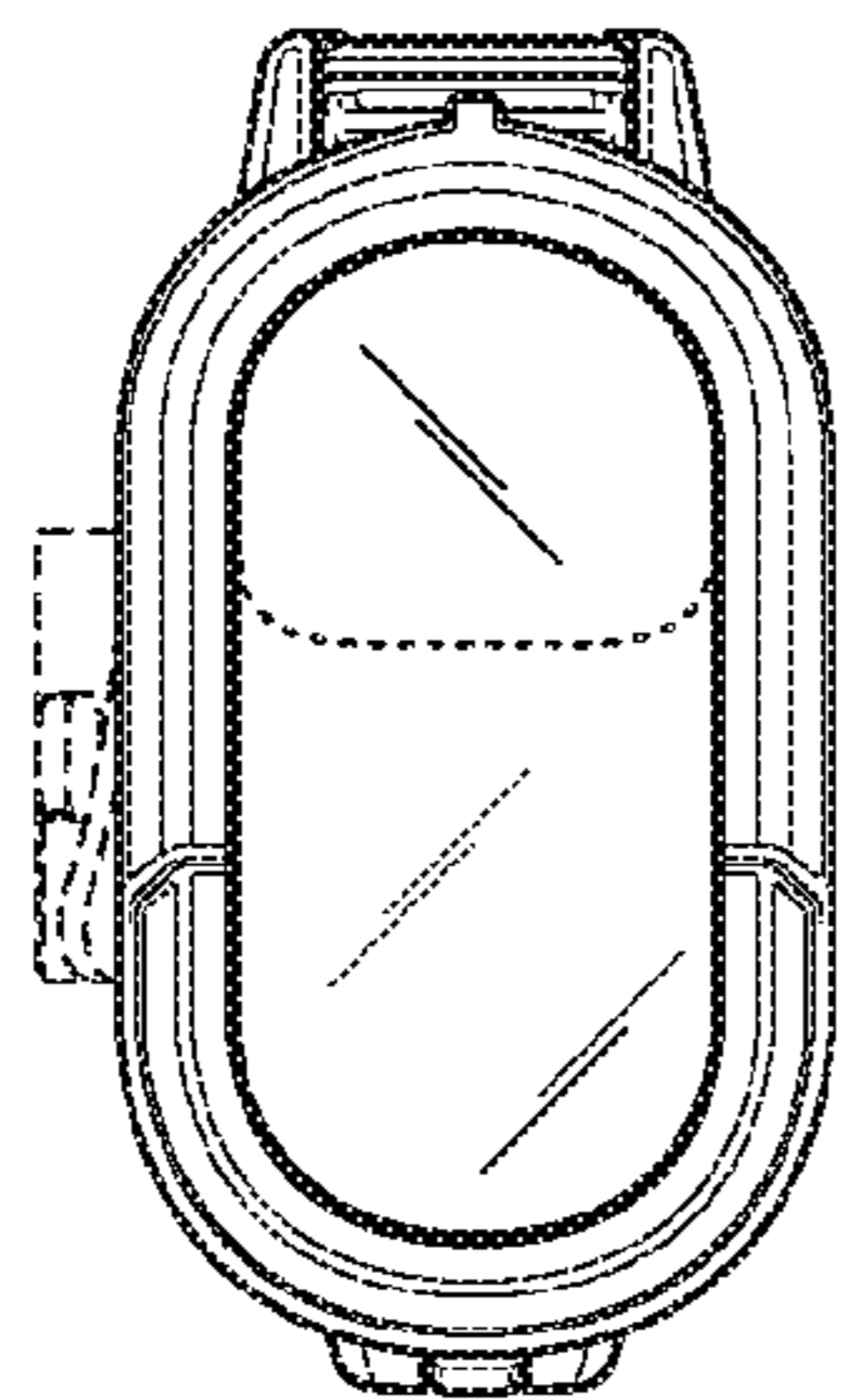


FIG. 7

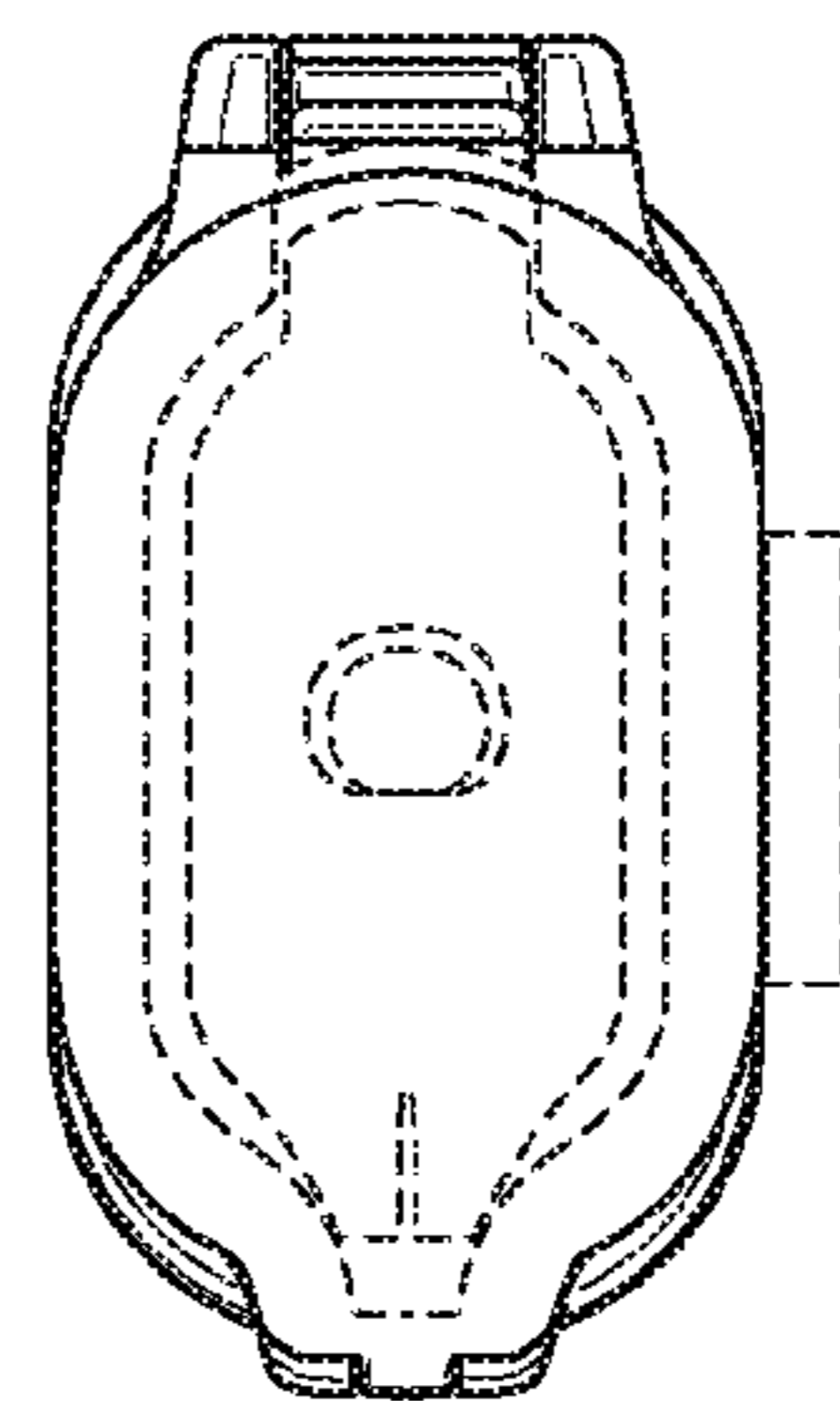


FIG. 8

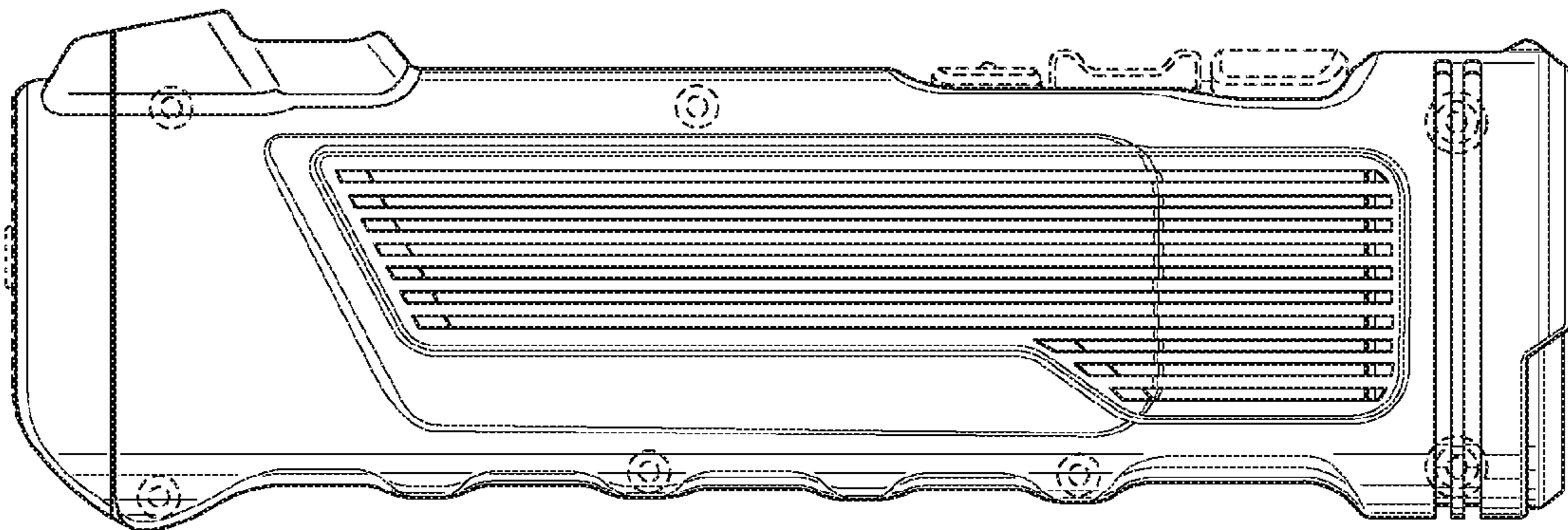


FIG. 9

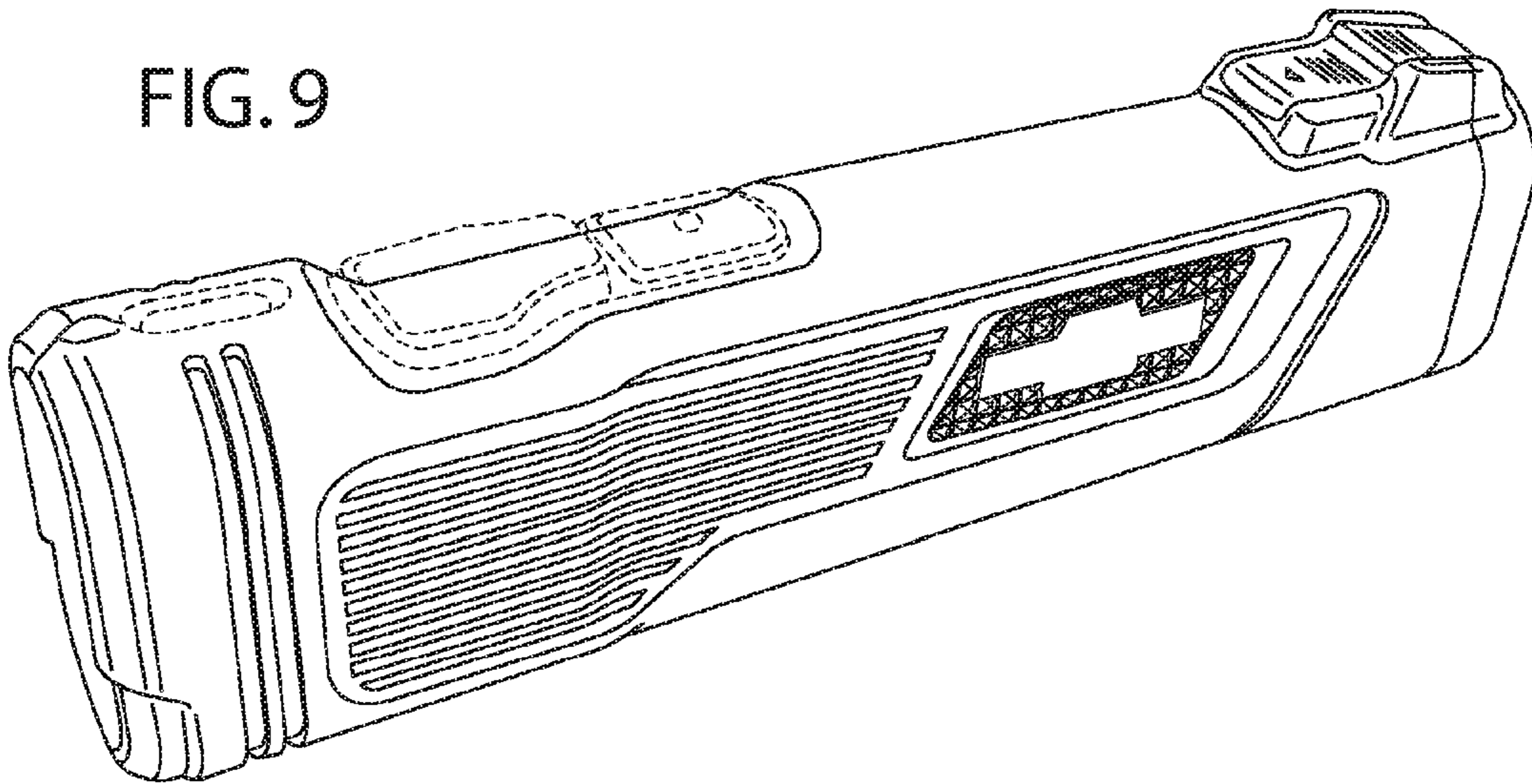


FIG. 10

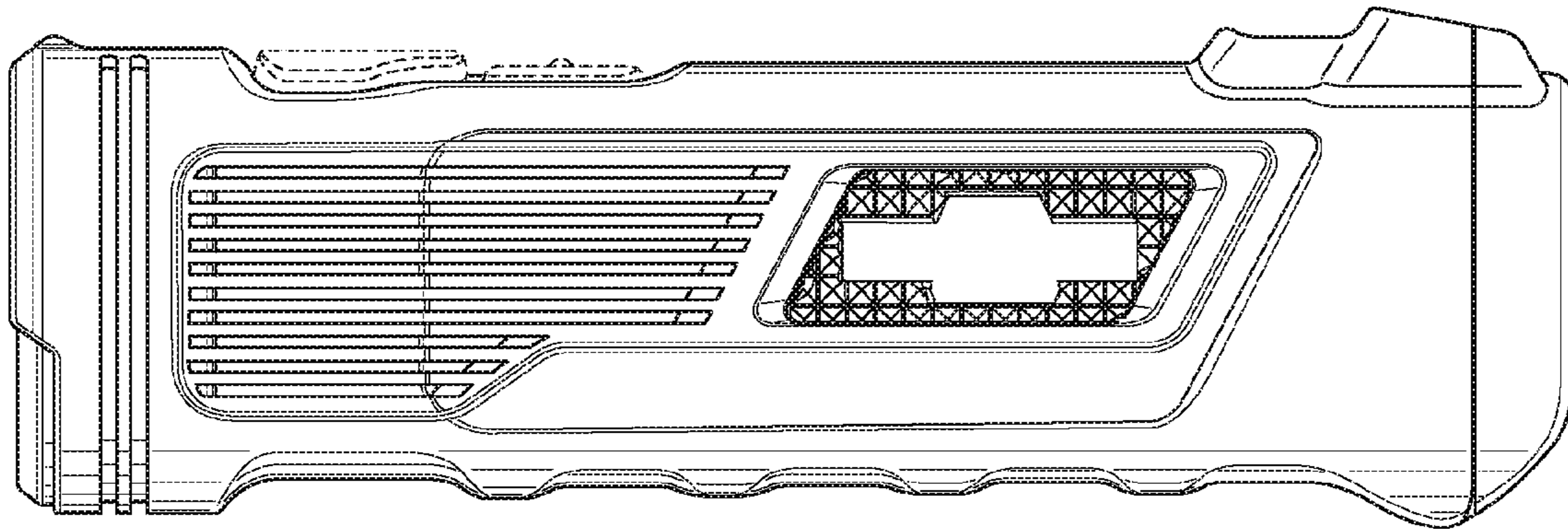


FIG. 11

