



US00D591880S

(12) **United States Design Patent**
Futschik et al.

(10) **Patent No.:** **US D591,880 S**

(45) **Date of Patent:** **** May 5, 2009**

(54) **HEADLIGHT FOR A VEHICLE**

D563,576 S * 3/2008 Hanaoka D26/28
D570,007 S * 5/2008 Hsu D26/28

(75) Inventors: **Hans-Dieter Futschik**, Gechingen (DE);
Stefan Handt, Stuttgart (DE); **Steffen Koehl**, Stuttgart (DE); **Frank Pfisterer**, Weil der Stadt (DE)

* cited by examiner

Primary Examiner—Marcus A. Jackson
(74) *Attorney, Agent, or Firm*—Crowell & Moring LLP

(73) Assignee: **Daimler AG**, Stuttgart (DE)

(57) **CLAIM**

(**) Term: **14 Years**

The ornamental design for a headlight for a vehicle, as shown and described.

(21) Appl. No.: **29/300,864**

(22) Filed: **May 22, 2008**

(30) **Foreign Application Priority Data**

Nov. 23, 2007 (DE) 40705795

(51) **LOC (9) Cl.** **26-06**

(52) **U.S. Cl.** **D26/28**

(58) **Field of Classification Search** D26/28-36;
362/459-468, 475-478, 485-487

See application file for complete search history.

(56) **References Cited**

U.S. PATENT DOCUMENTS

D507,991 S 8/2005 Pfeiffer et al.
D508,745 S 8/2005 Pfeiffer et al.
D560,291 S * 1/2008 Koyama D26/28
D560,832 S * 1/2008 Hsu D26/28
D561,358 S * 2/2008 Tachibana D26/28
D561,359 S * 2/2008 Hsu D26/28

DESCRIPTION

FIG. 1 is a left perspective view of a first embodiment of a headlight for a vehicle according to our novel design;

FIG. 2 is a front view thereof;

FIG. 3 is a left side view thereof;

FIG. 4 is a left side perspective view thereof; and

FIG. 5 is a front perspective view thereof.

FIG. 6 is a right perspective view of a second embodiment of the headlight for a vehicle according to our novel design;

FIG. 7 is a front view thereof;

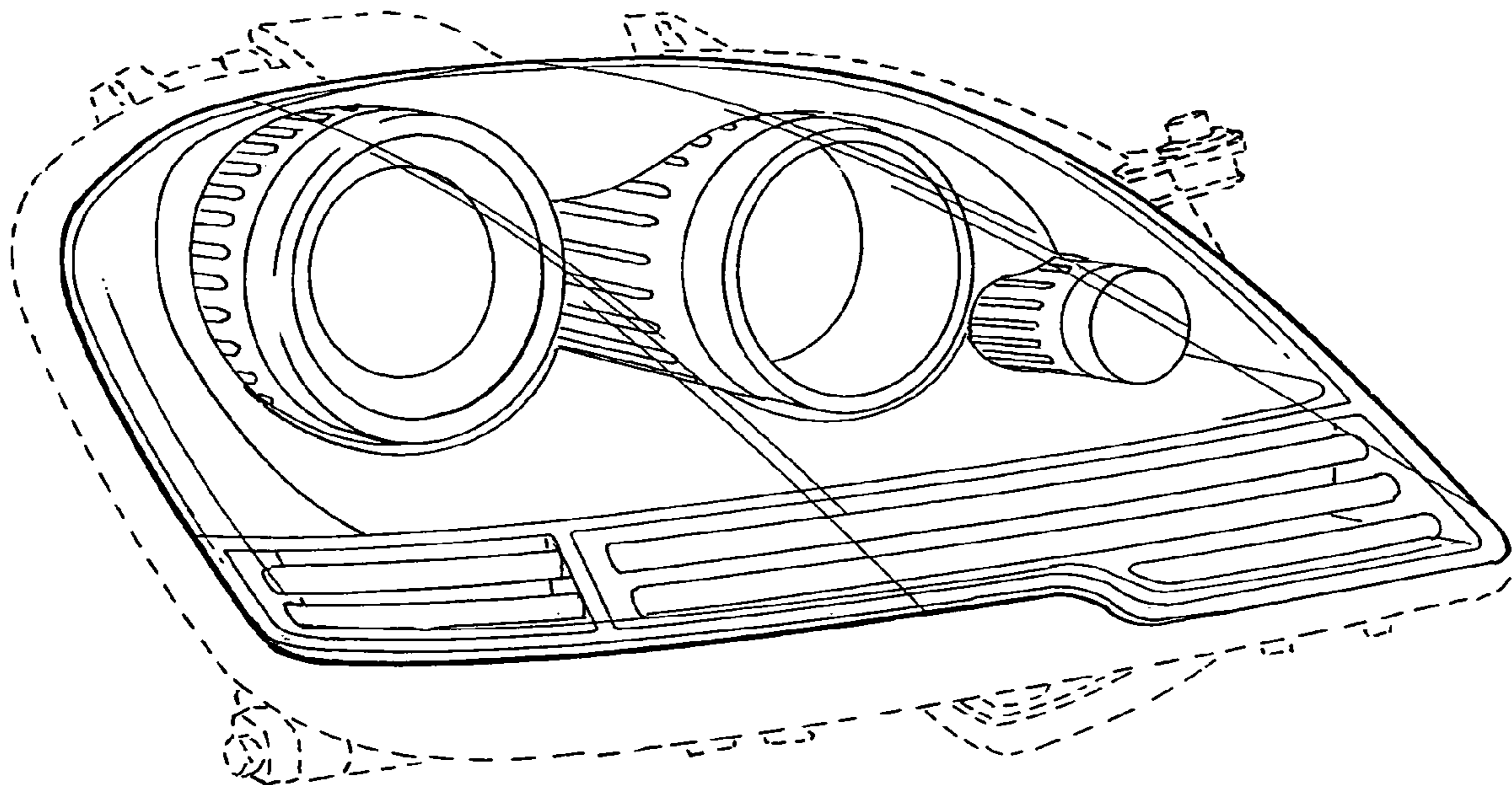
FIG. 8 is a right side view thereof;

FIG. 9 is a right side perspective view thereof; and,

FIG. 10 is a front perspective view thereof.

The broken lines are for illustrative purposes only and form no part of the claimed design.

1 Claim, 8 Drawing Sheets



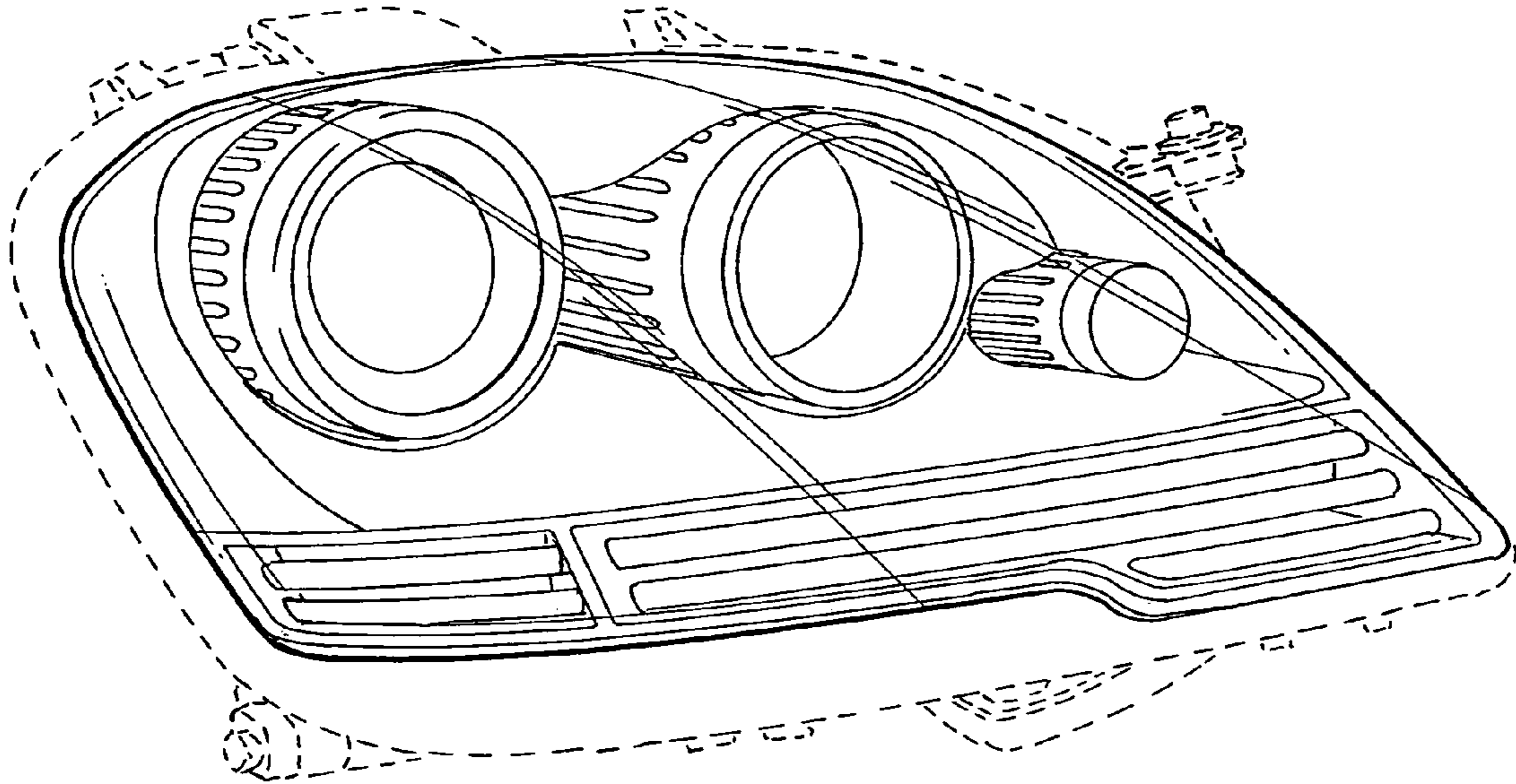


FIG. 1

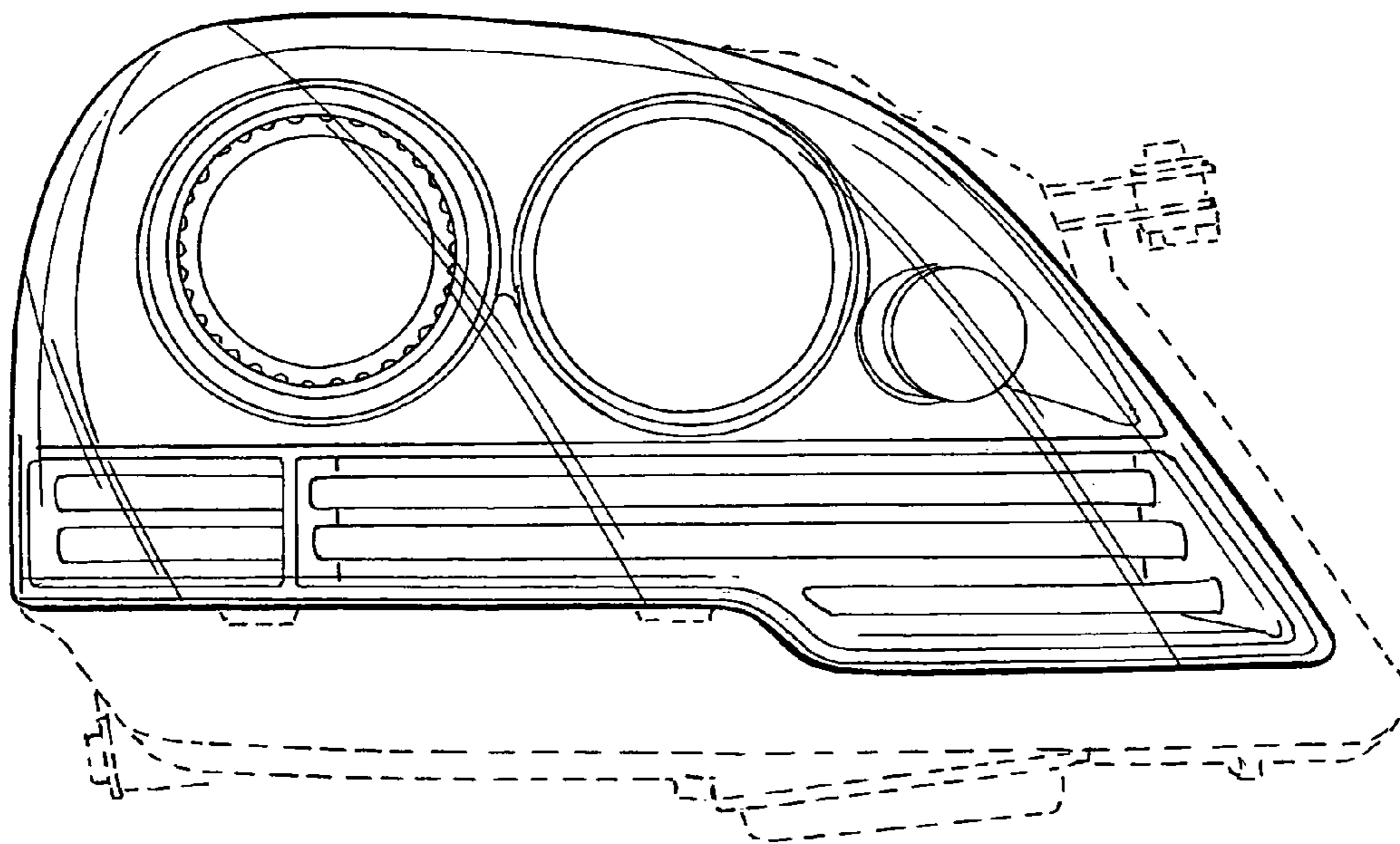


FIG. 2

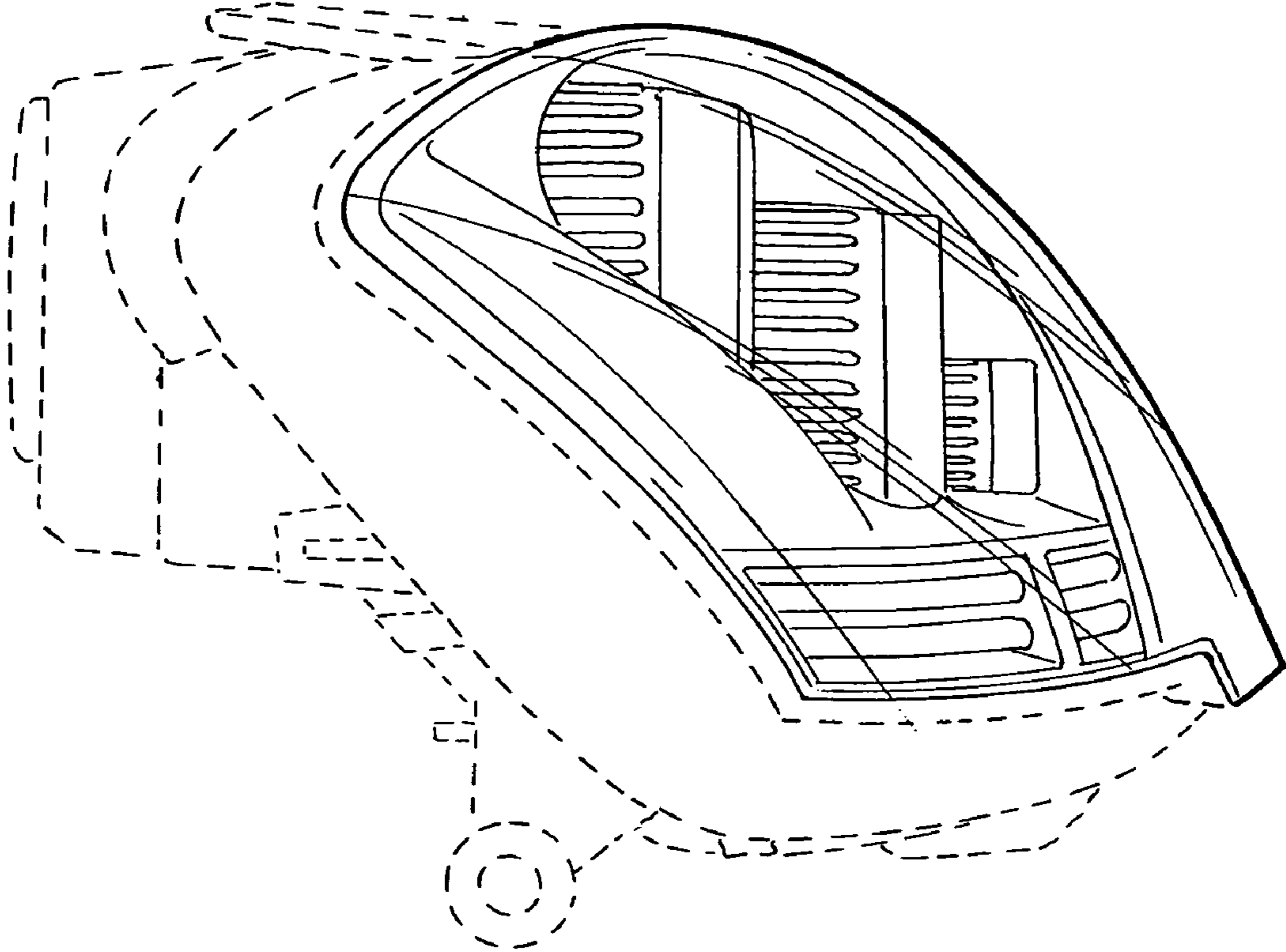


FIG. 3

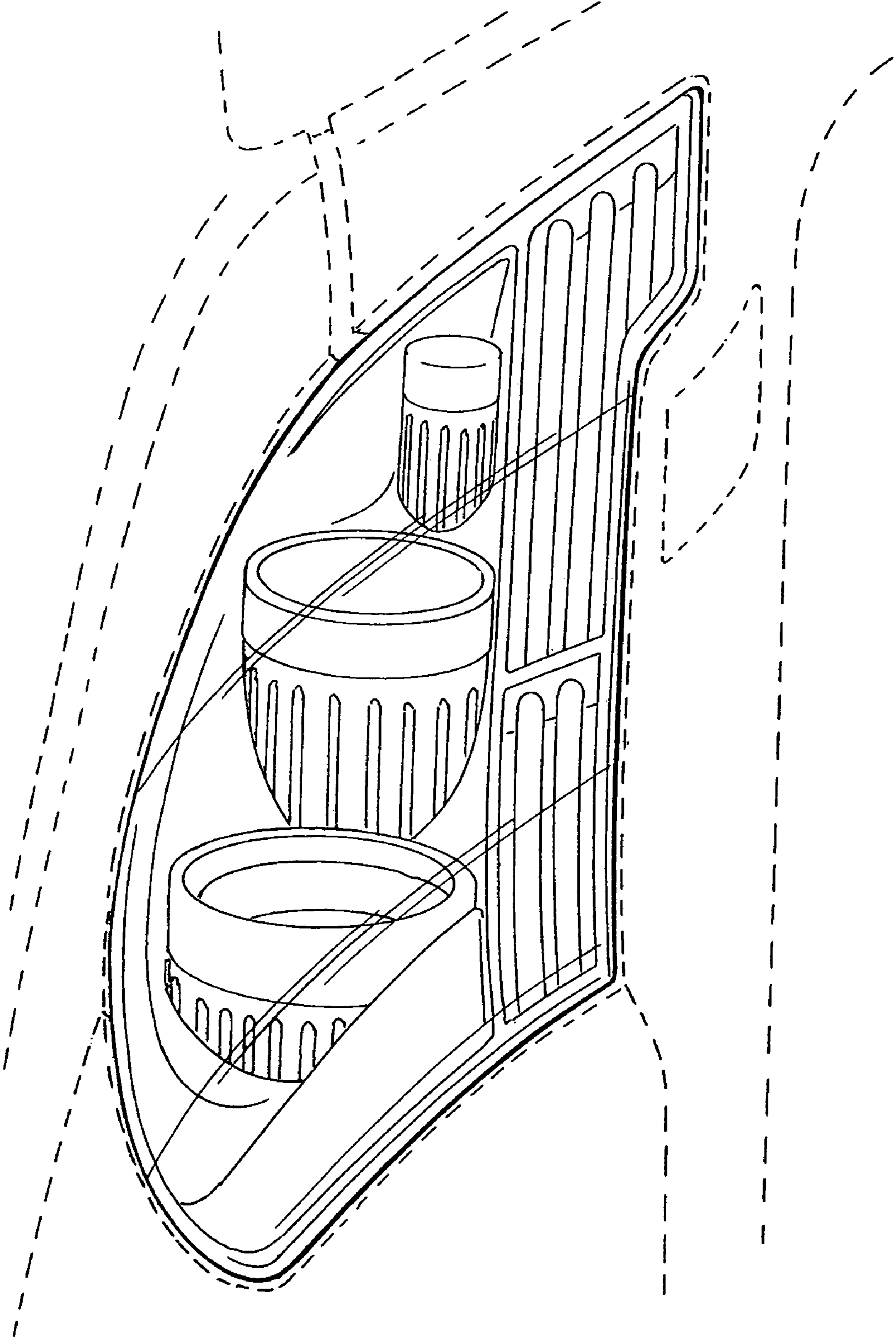


FIG. 4

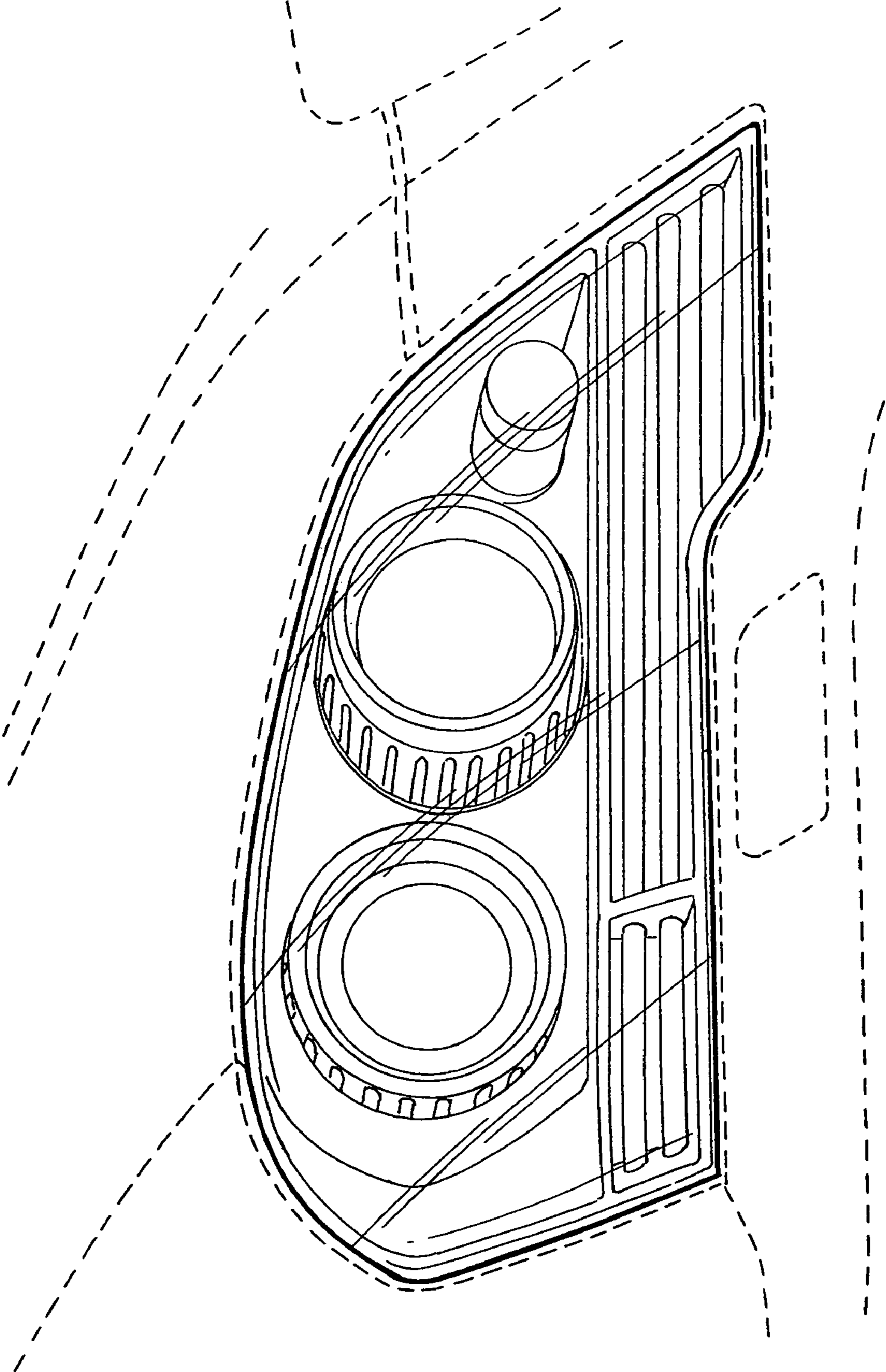


FIG. 5

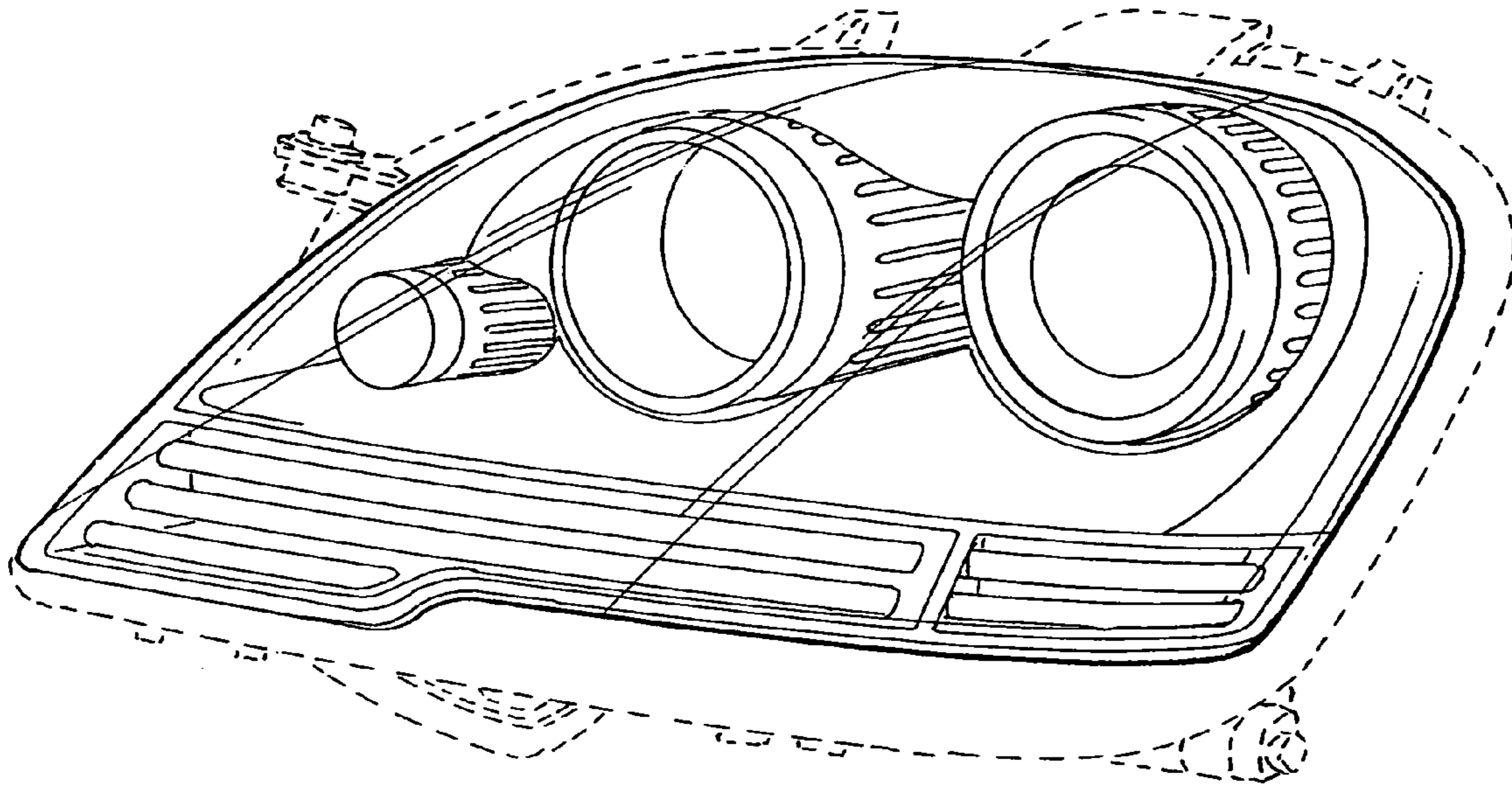


FIG. 6

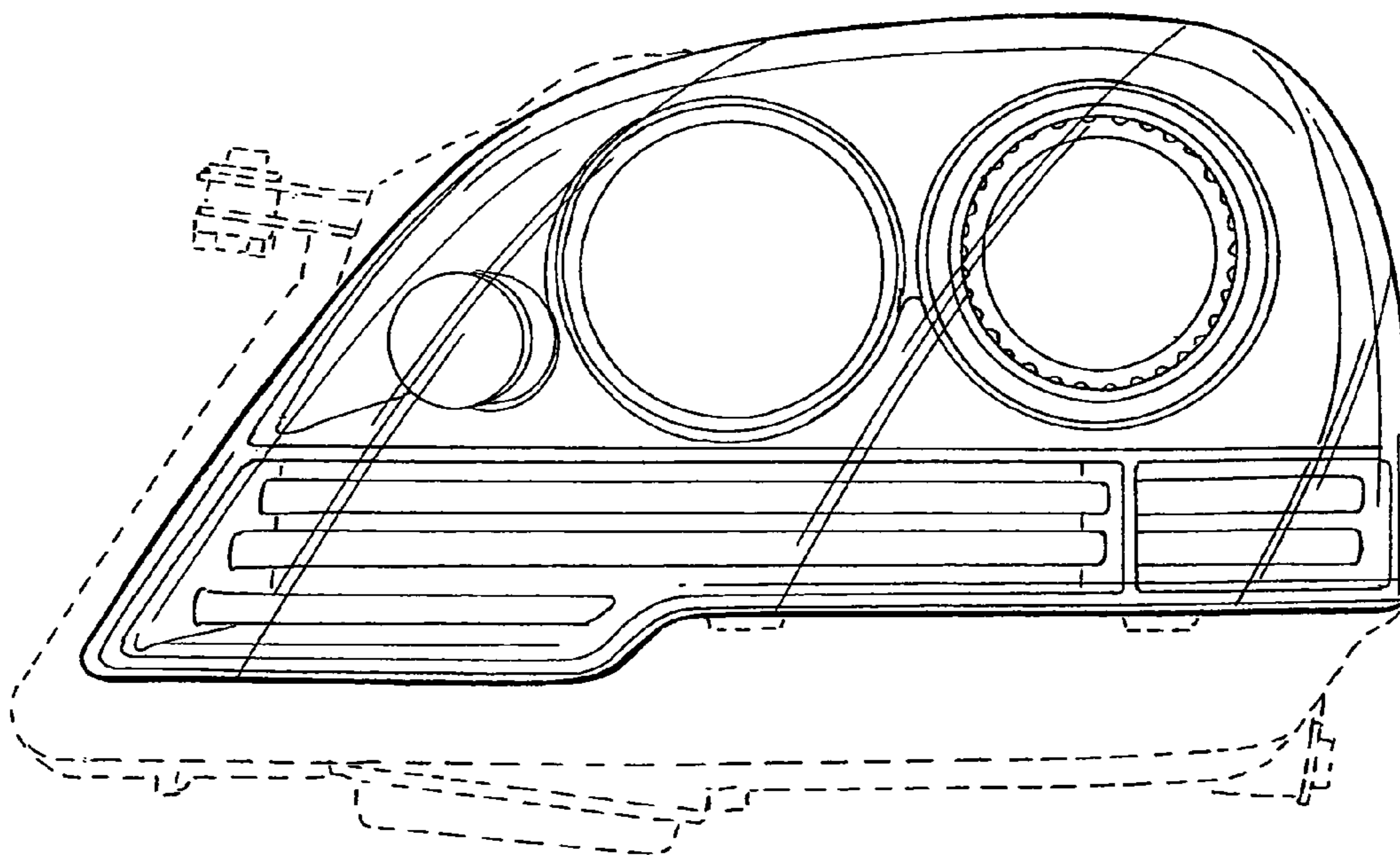


FIG. 7

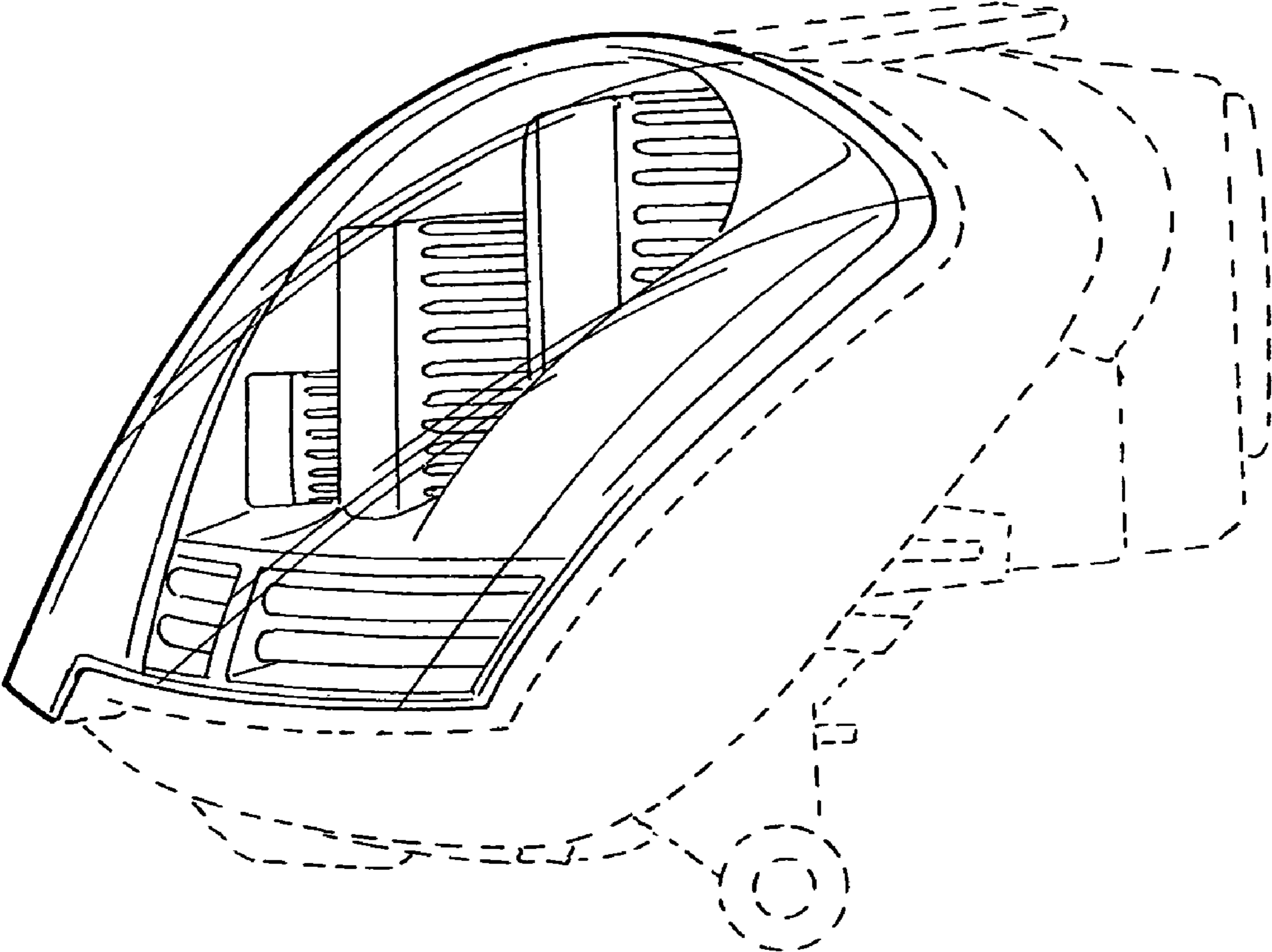


FIG. 8

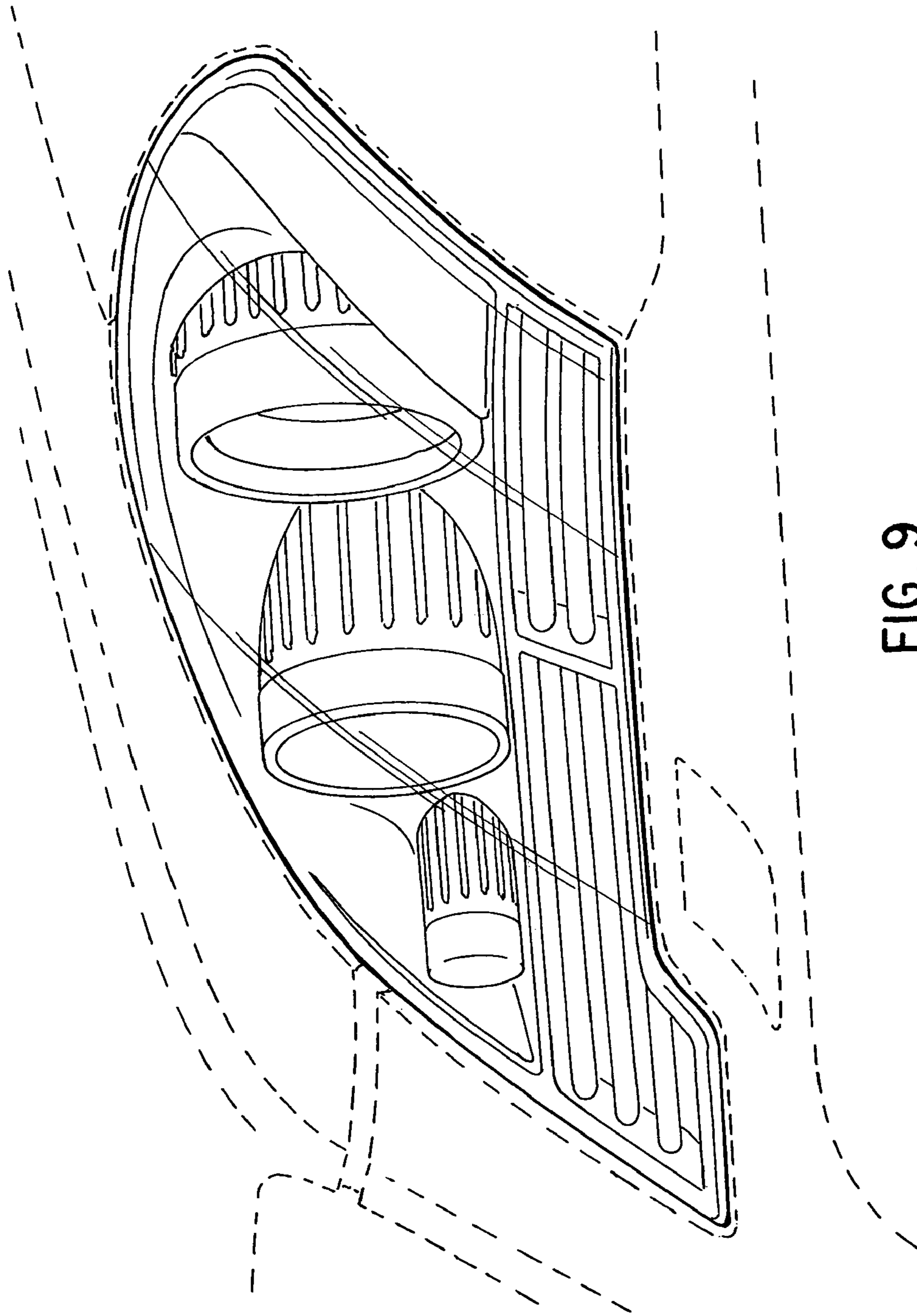


FIG. 9

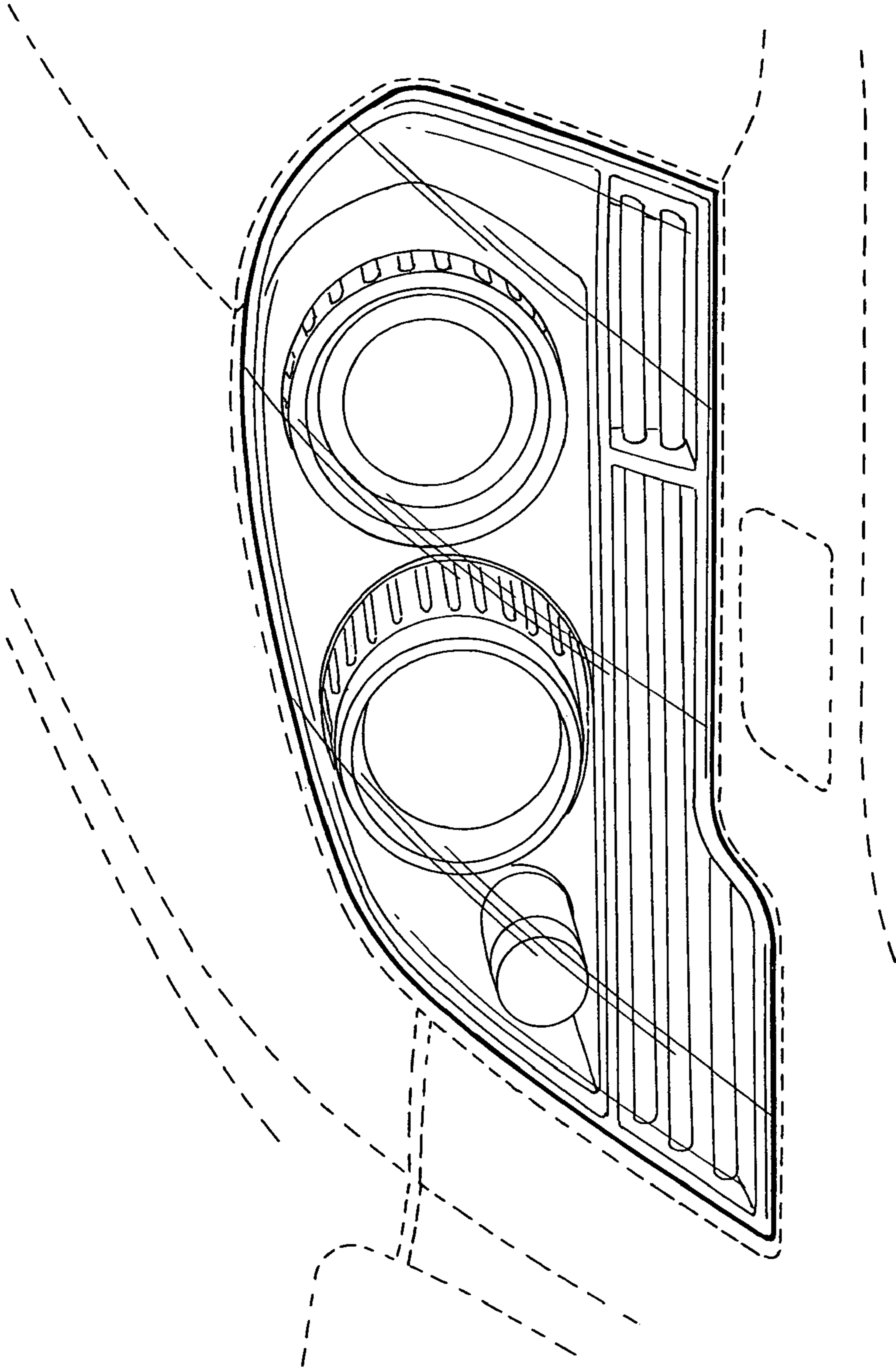


FIG. 10