



US00D591879S

(12) **United States Design Patent**
Leclercq

(10) **Patent No.:** **US D591,879 S**

(45) **Date of Patent:** **** May 5, 2009**

(54) **HEADLIGHT FOR A VEHICLE**

(75) Inventor: **Pierre Leclercq**, Munich (DE)

(73) Assignee: **Bayerische Motoren Werke Aktiengesellschaft**, Munich (DE)

(**) Term: **14 Years**

(21) Appl. No.: **29/300,130**

(22) Filed: **Feb. 22, 2008**

(30) **Foreign Application Priority Data**

Aug. 24, 2007 (DE) 40704328

(51) **LOC (9) Cl.** **26-06**

(52) **U.S. Cl.** **D26/28**

(58) **Field of Classification Search** D26/28-36;
362/459-468, 475-478, 485-487
See application file for complete search history.

(56) **References Cited**

U.S. PATENT DOCUMENTS

D552,768 S	10/2007	Leclercq	
D560,291 S *	1/2008	Koyama	D26/28
D561,358 S *	2/2008	Tachibana	D26/28
D561,359 S *	2/2008	Hsu	D26/28
D563,576 S *	3/2008	Hanaoka	D26/28

* cited by examiner

Primary Examiner—Marcus A. Jackson
(74) Attorney, Agent, or Firm—Crowell & Moring LLP

(57) **CLAIM**

The ornamental design for a headlight for a vehicle, as shown and described.

DESCRIPTION

FIG. 1 is a right perspective view of a first embodiment of a headlight for a vehicle according to my novel design;

FIG. 2 is a front view thereof;

FIG. 3 is a top view thereof;

FIG. 4 is a right side view thereof; and

FIG. 5 is a top, perspective view thereof.

FIG. 6 is a left perspective view of a second embodiment of the headlight for a vehicle according to my novel design;

FIG. 7 is a front view thereof;

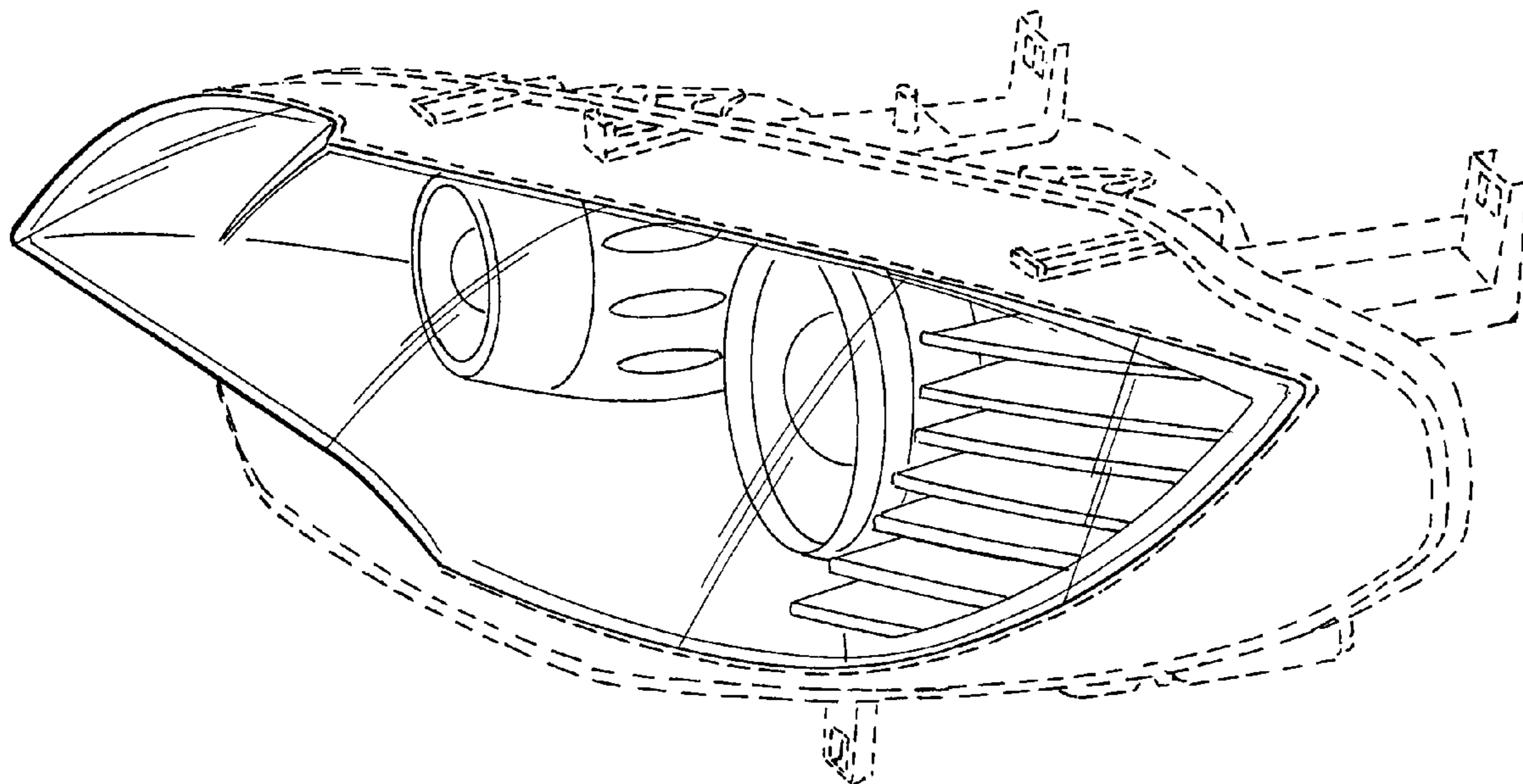
FIG. 8 is a top view thereof;

FIG. 9 is a left side view thereof; and,

FIG. 10 is a top, perspective view thereof.

The broken lines are for illustrative purposes only and form no part of the claimed design. Also enclosed is a set of photographs of an embodiment of the design.

1 Claim, 8 Drawing Sheets



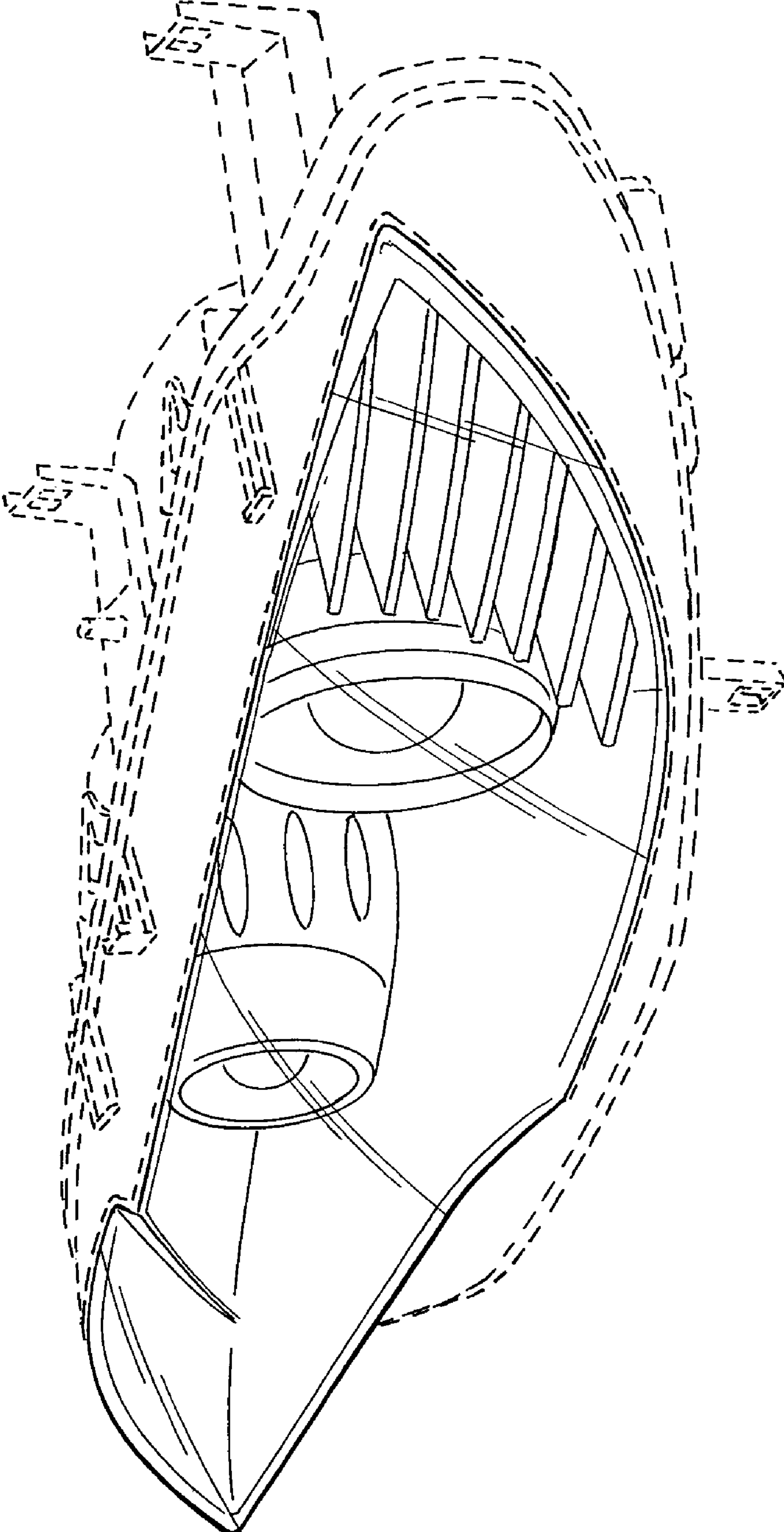


FIG. 1

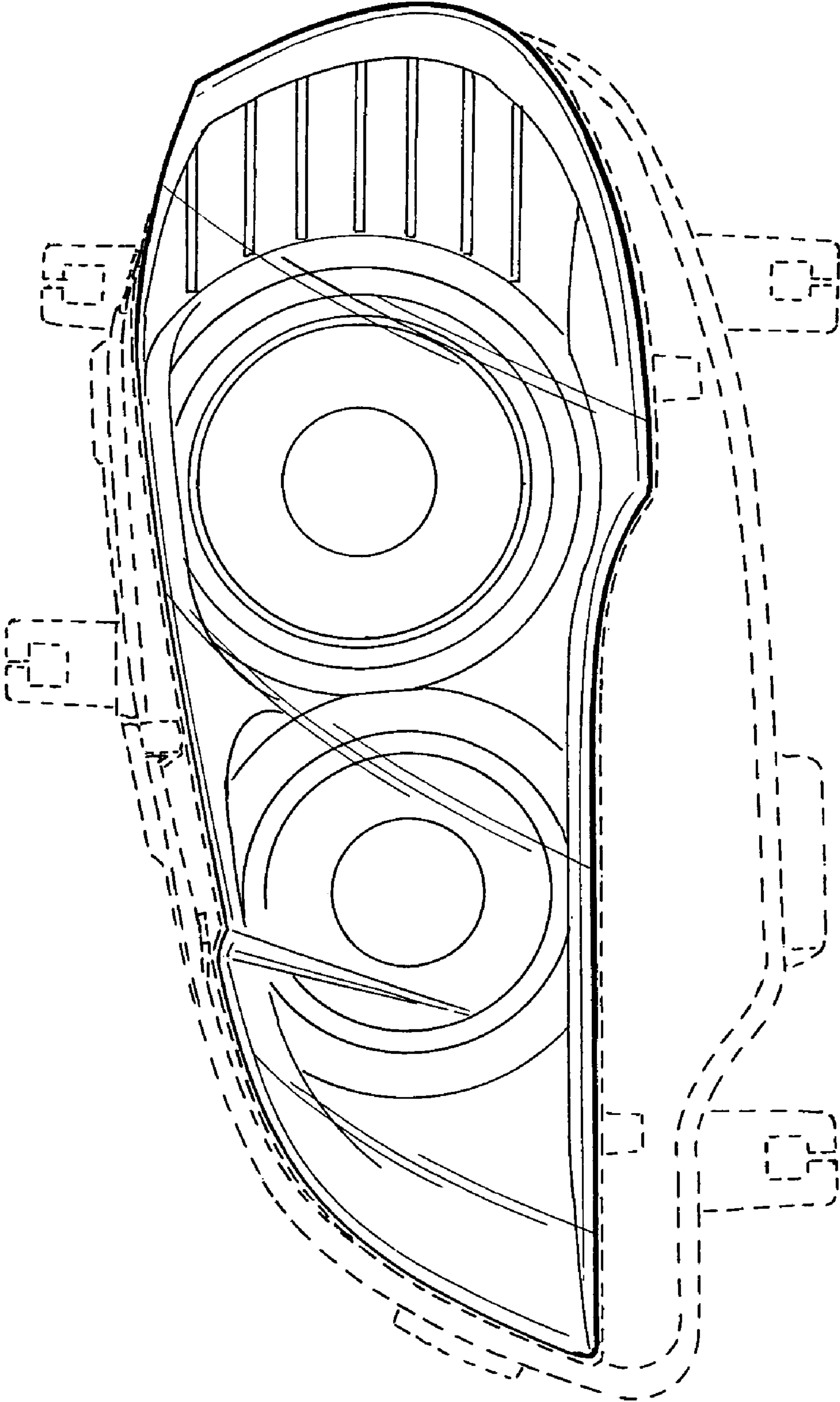


FIG. 2

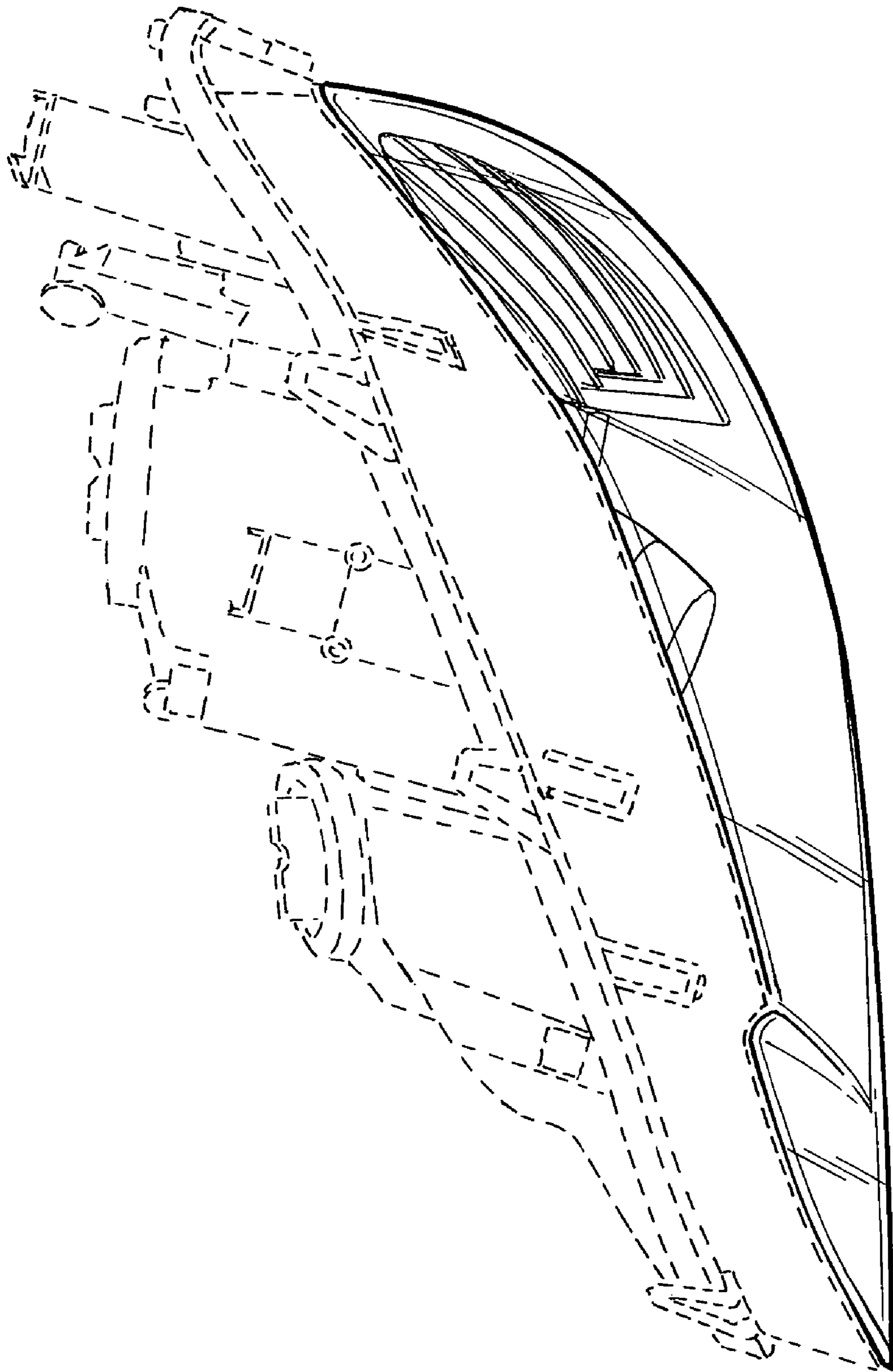


FIG. 3

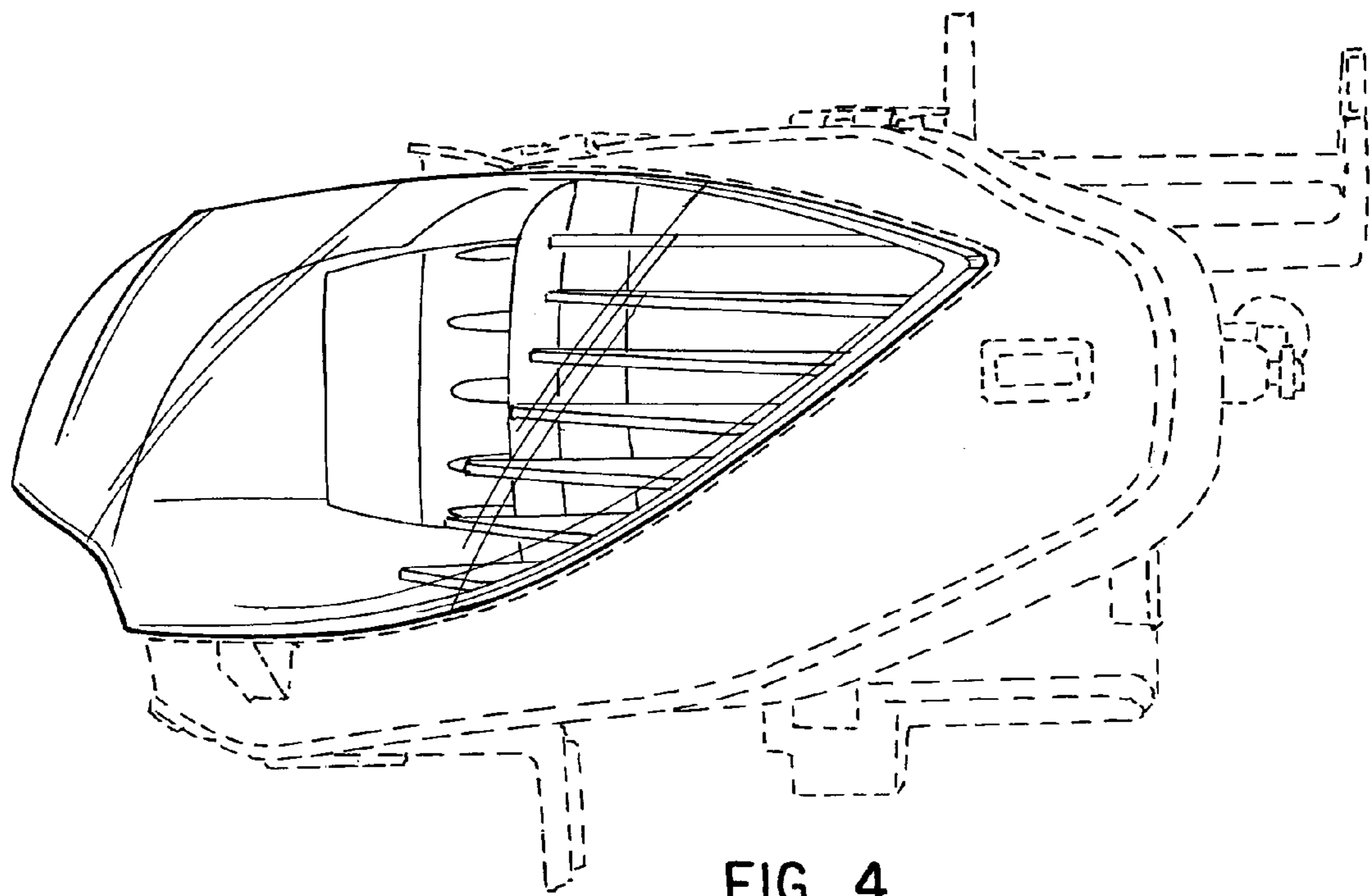


FIG . 4

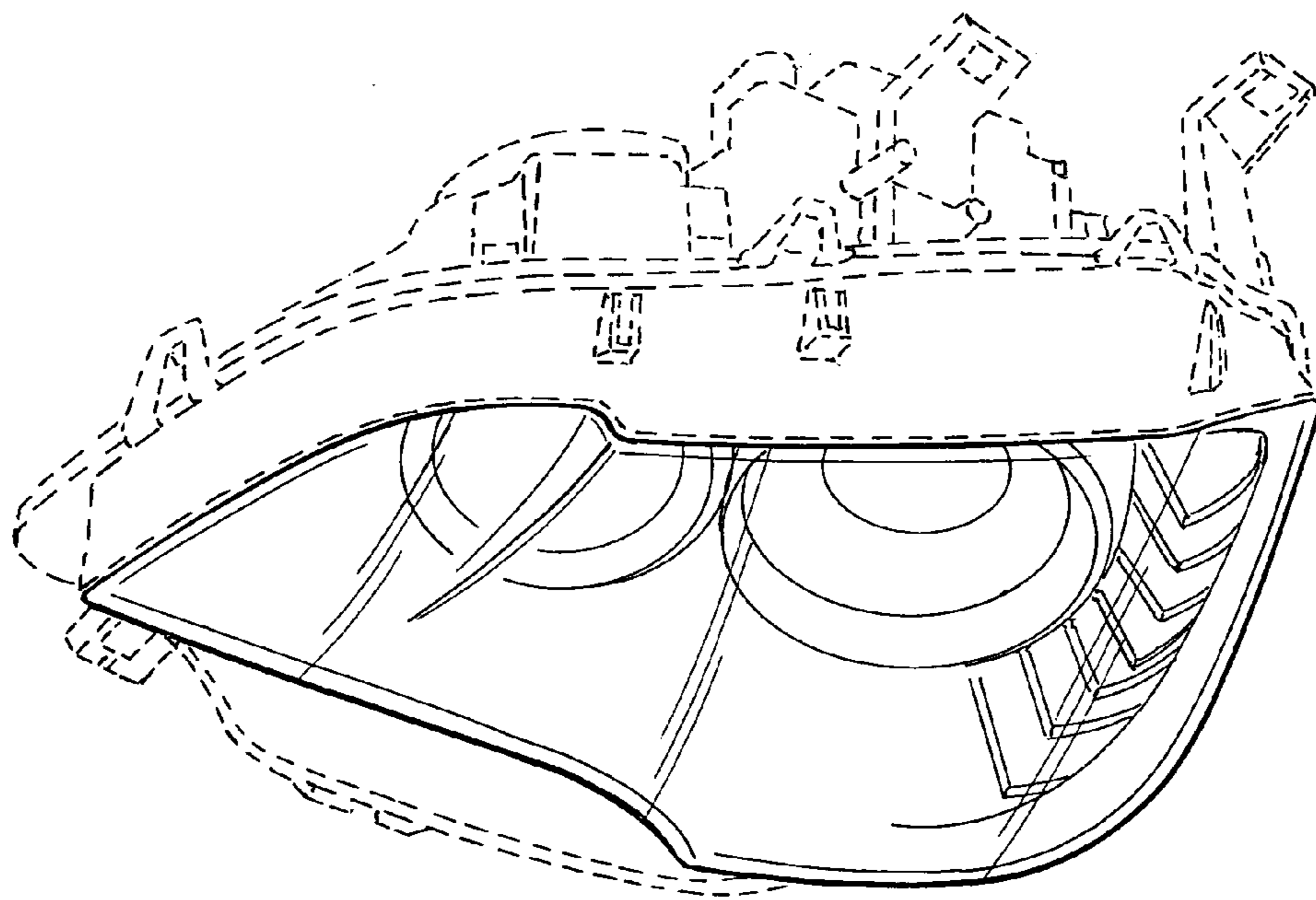


FIG . 5

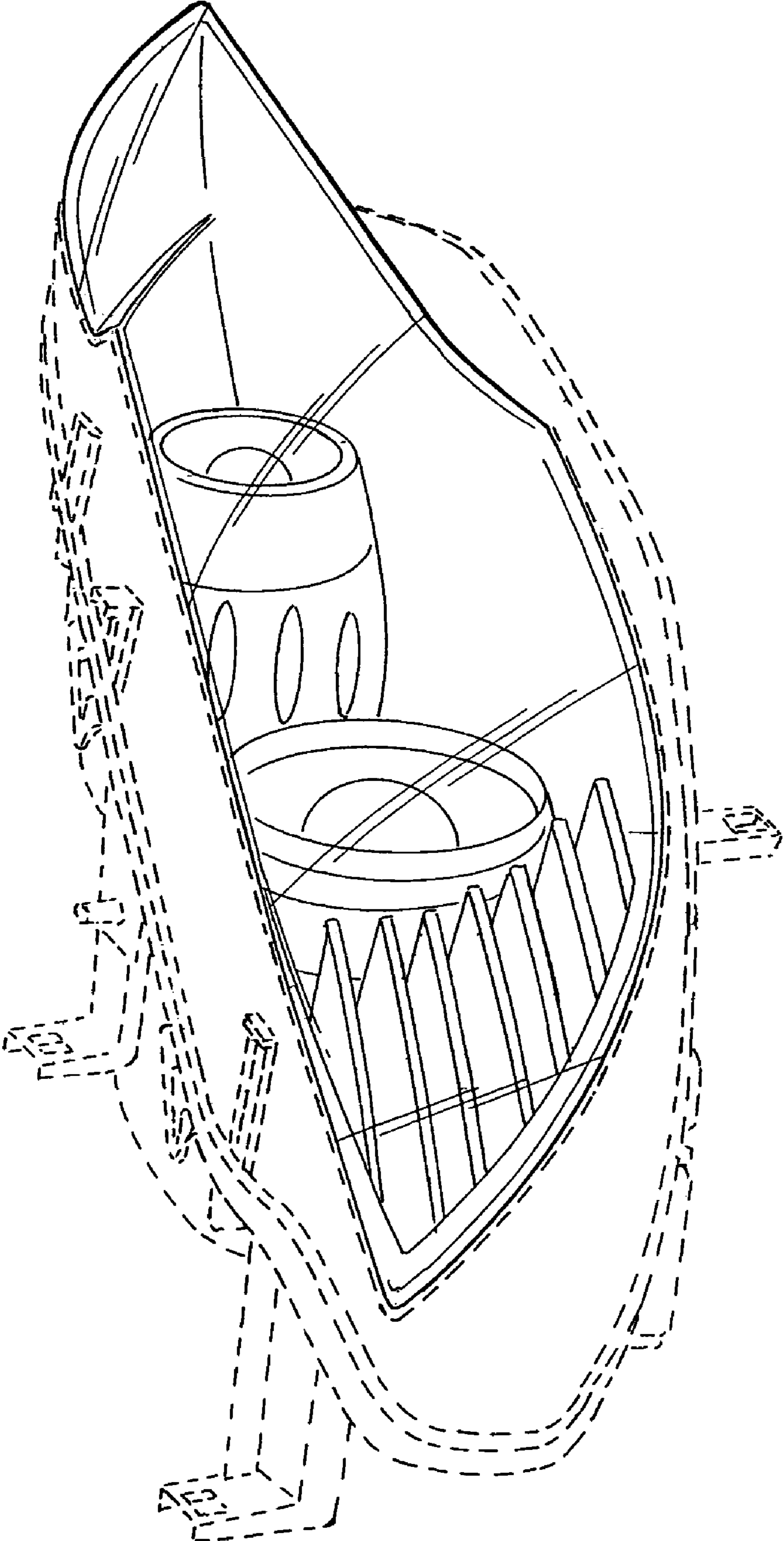


FIG. 6

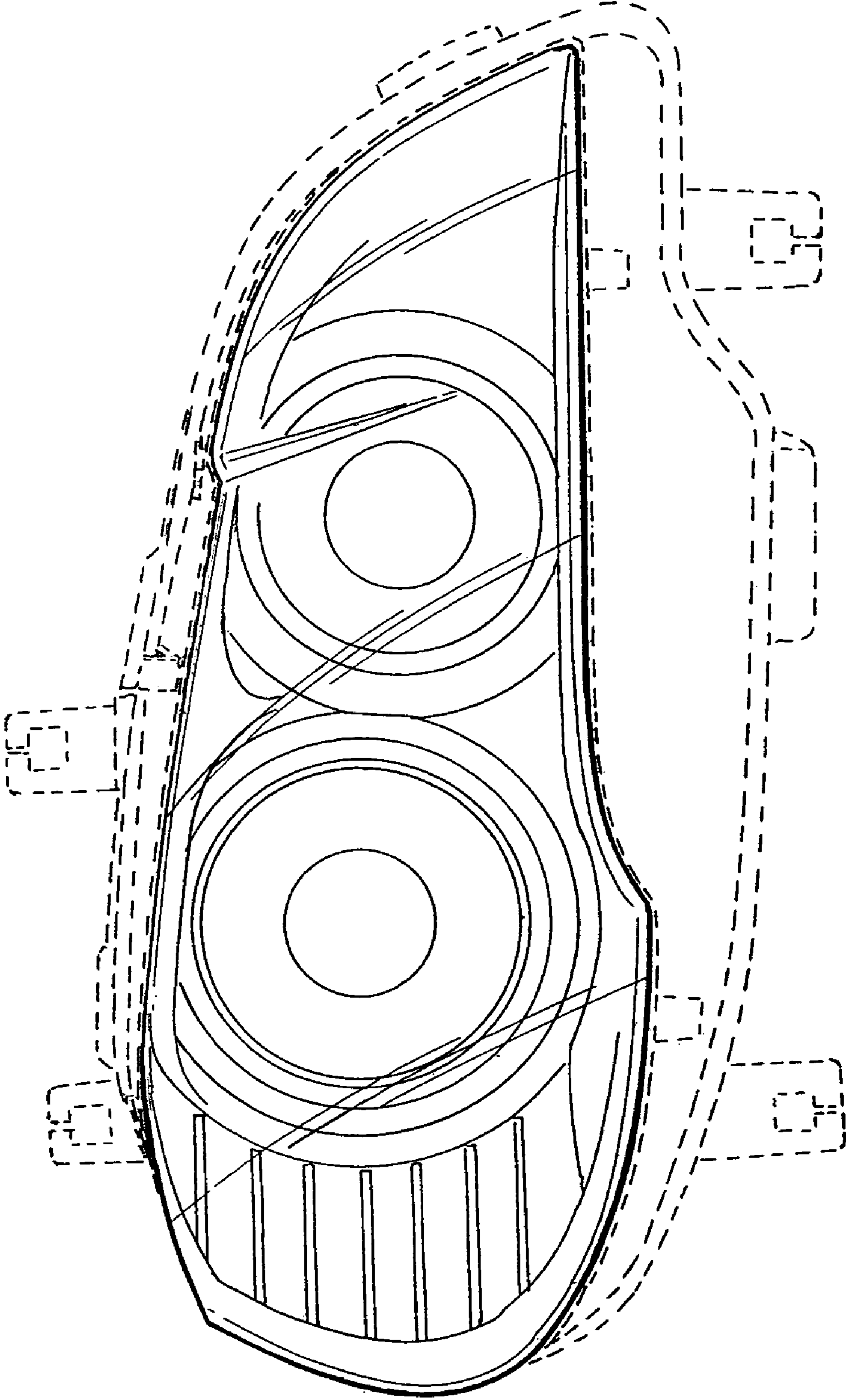


FIG. 7

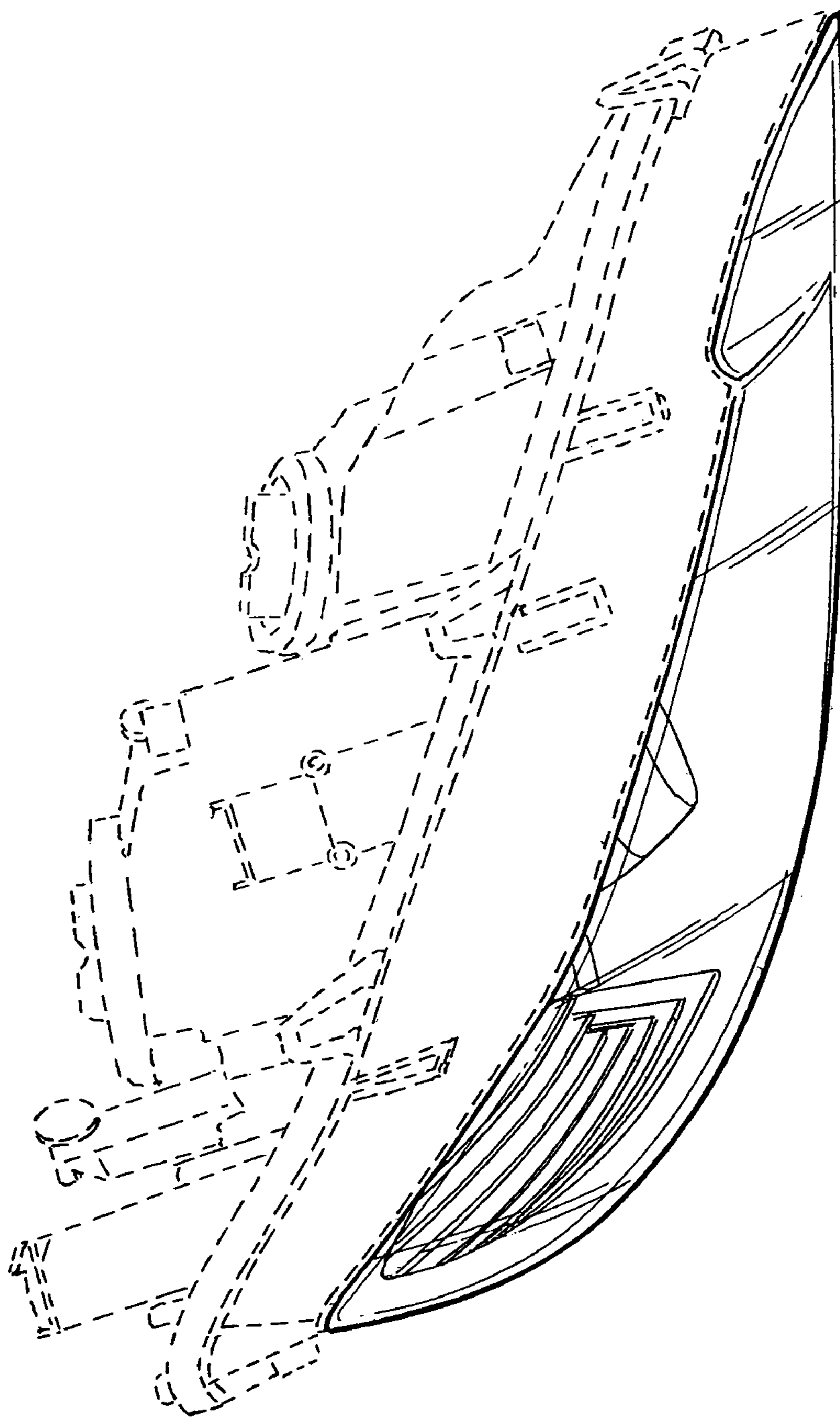


FIG. 8

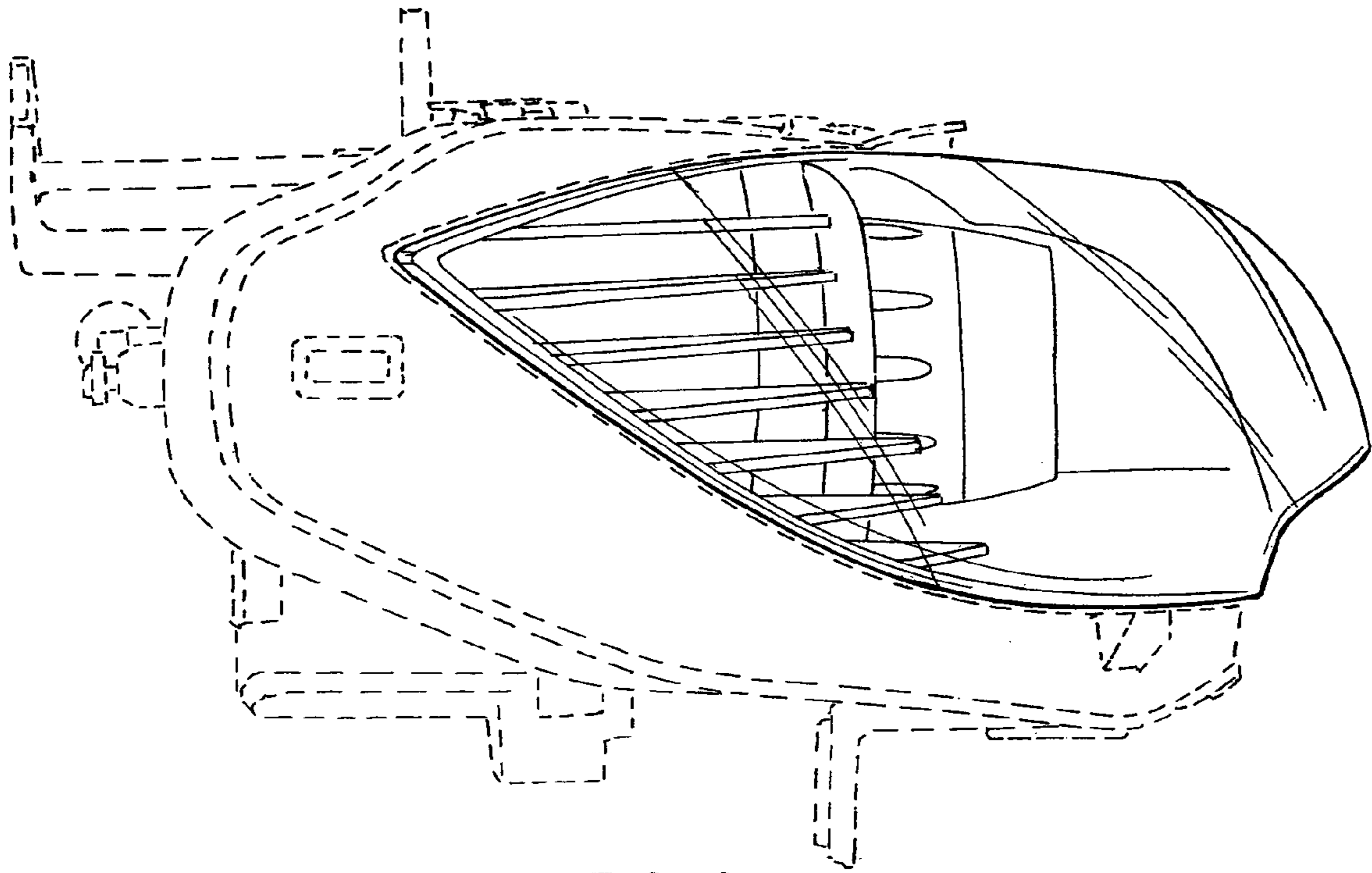


FIG. 9

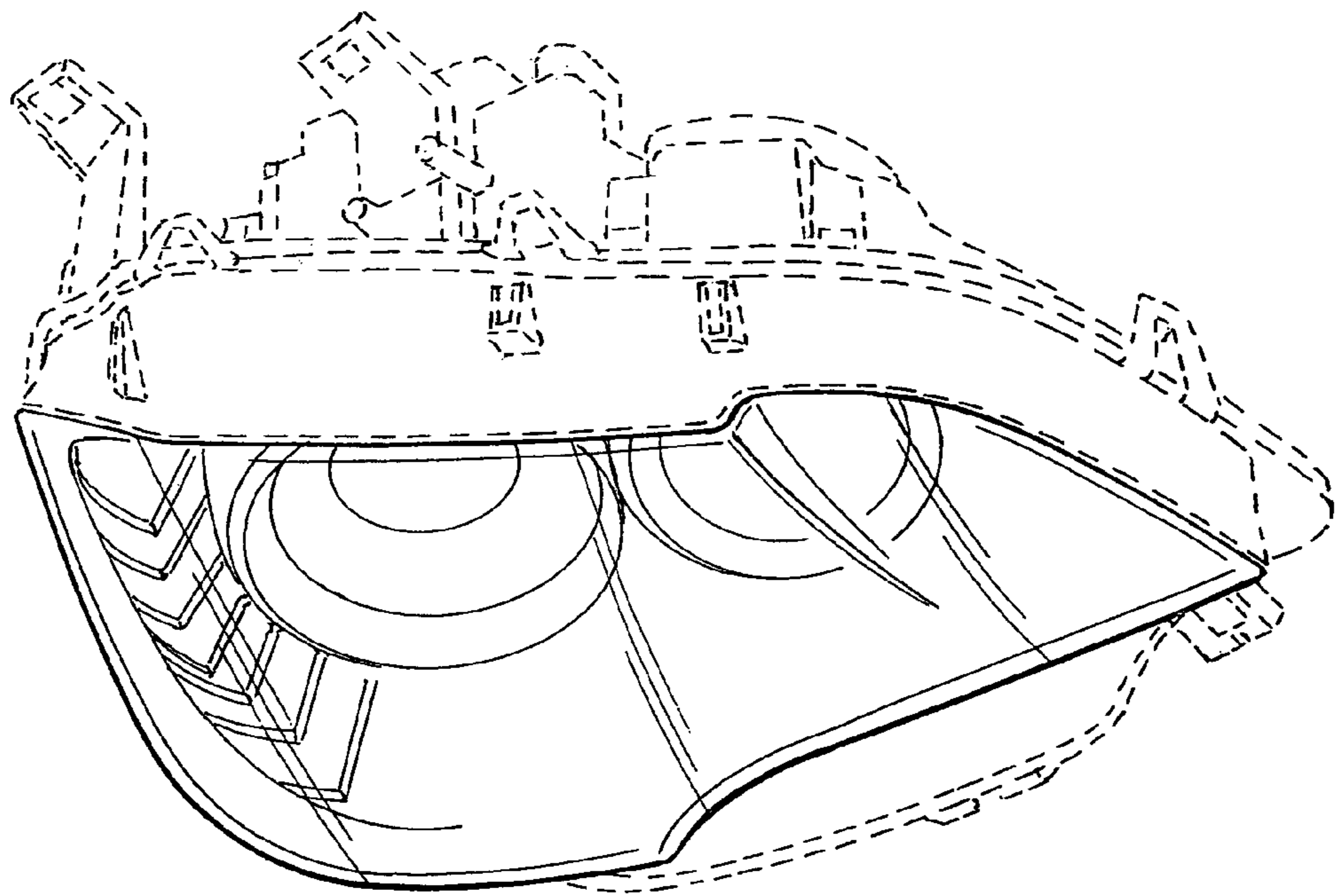


FIG. 10