



US00D591875S

(12) **United States Design Patent**
Varga

(10) **Patent No.:** **US D591,875 S**
(45) **Date of Patent:** **** May 5, 2009**

(54) **LIGHT ASSEMBLY FOR AN AUTOMOBILE**

Primary Examiner—Marcus A. Jackson

(75) Inventor: **Peter Varga**, Pforzheim (DE)

(57) **CLAIM**

(73) Assignee: **Dr. Ing. h. c. F. Porsche AG**, Weissach (DE)

The ornamental design for the light assembly for an automobile, as shown and described.

(**) Term: **14 Years**

(21) Appl. No.: **29/284,165**

(22) Filed: **Aug. 31, 2007**

(30) **Foreign Application Priority Data**

Mar. 5, 2007 (DE) 4 07 01 204

(51) **LOC (9) Cl.** **26-06**

(52) **U.S. Cl.** **D26/28**

(58) **Field of Classification Search** D26/28-36;
362/459-468, 475-478, 485-487

See application file for complete search history.

(56) **References Cited**

U.S. PATENT DOCUMENTS

D546,486 S *	7/2007	Sinkwitz	D26/28
D554,780 S *	11/2007	Sinkwitz	D26/28
D560,291 S *	1/2008	Koyama	D26/28
D561,358 S *	2/2008	Tachibana	D26/28
D561,359 S *	2/2008	Hsu	D26/28
D563,576 S *	3/2008	Hanaoka	D26/28
D570,007 S *	5/2008	Hsu	D26/28

* cited by examiner

DESCRIPTION

FIG. 1 is a right side perspective view of the light assembly showing my new design;

FIG. 2 is a right side perspective view thereof, viewed from a modified angle;

FIG. 3 is a right side perspective view thereof, viewed from a further modified angle;

FIG. 4 is a right side perspective view thereof, viewed from a further modified angle;

FIG. 5 is a plan view thereof;

FIG. 6 is a top perspective view thereof;

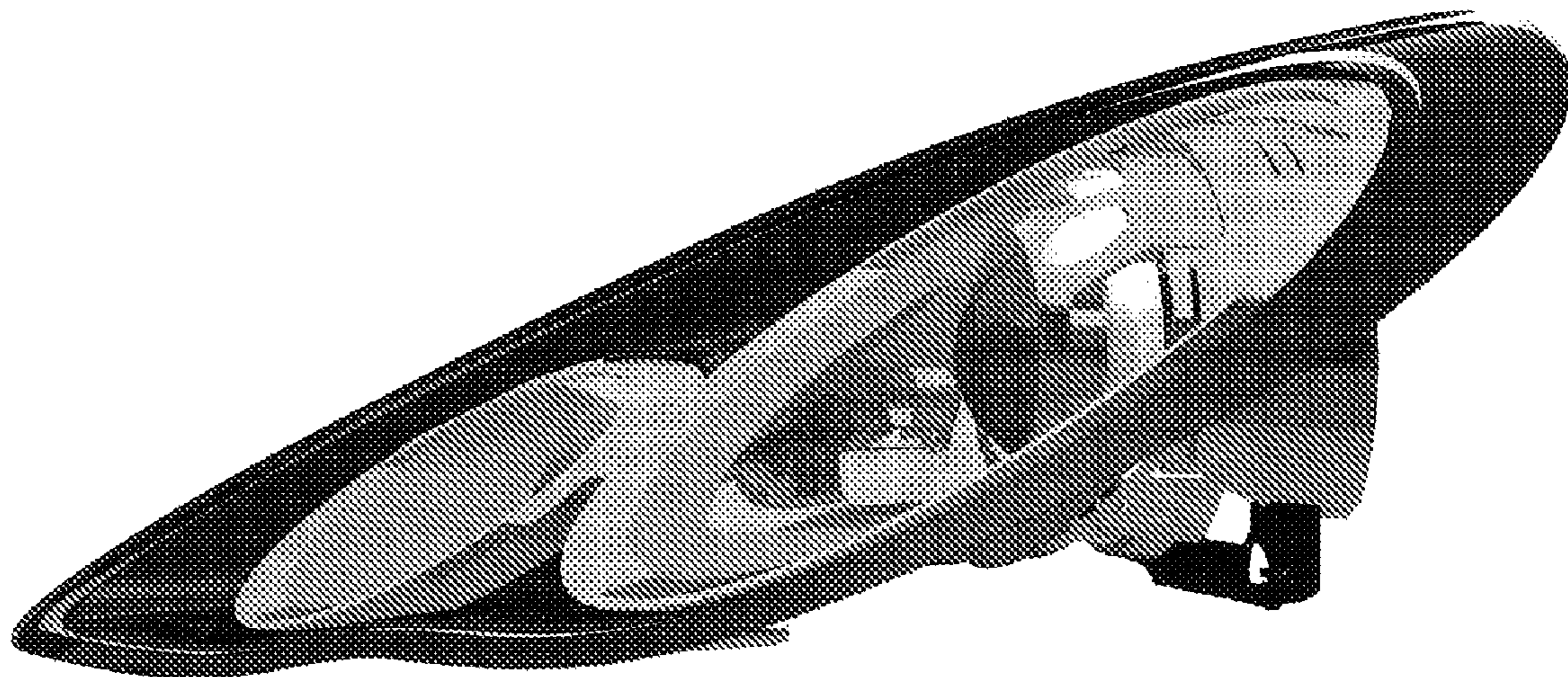
FIG. 7 is a top perspective view thereof, viewed from a modified angle;

FIG. 8 is a view corresponding to FIG. 1, of the light assembly of my design in the form of an intermediate product;

FIG. 9 is a view corresponding to FIG. 2 of the intermediate product; and,

FIG. 10 is a view corresponding to FIG. 7 of the intermediate product.

1 Claim, 5 Drawing Sheets



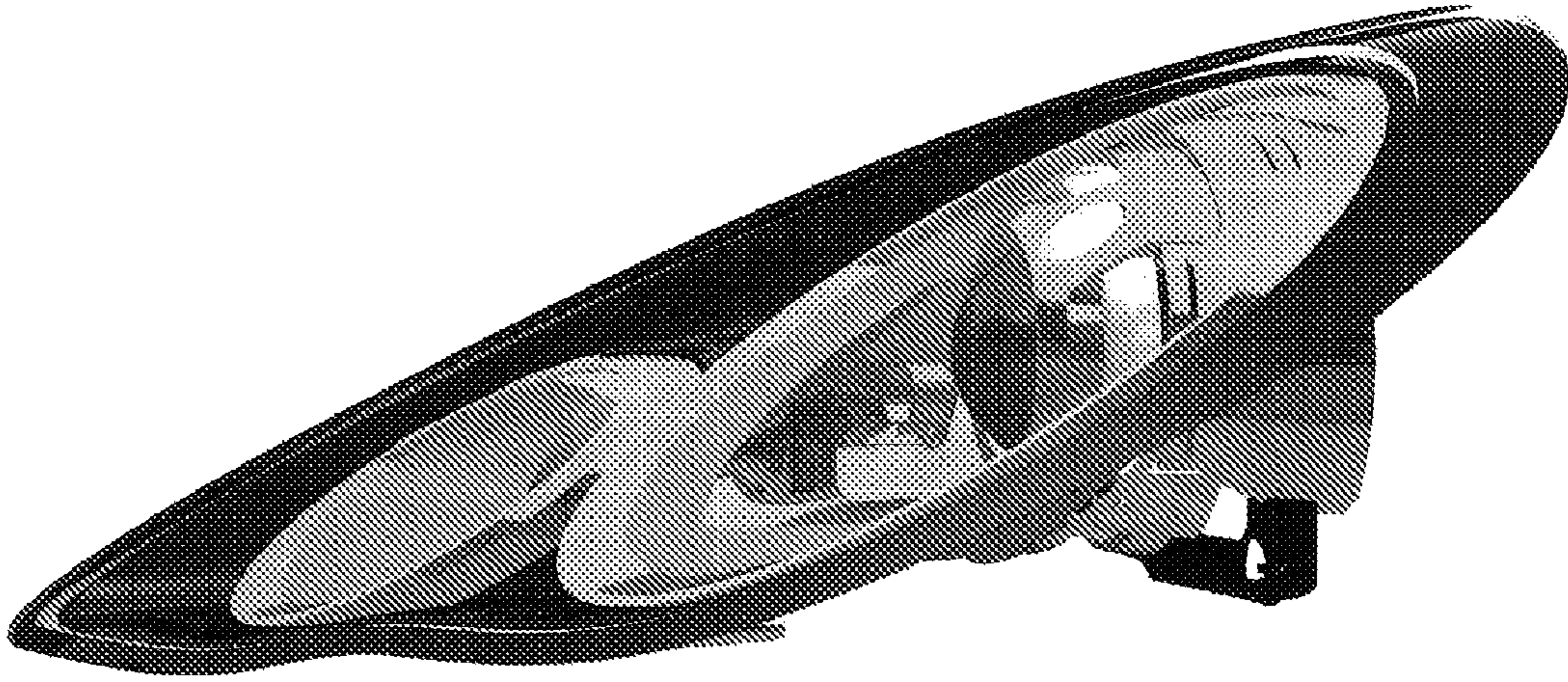


FIG. 1

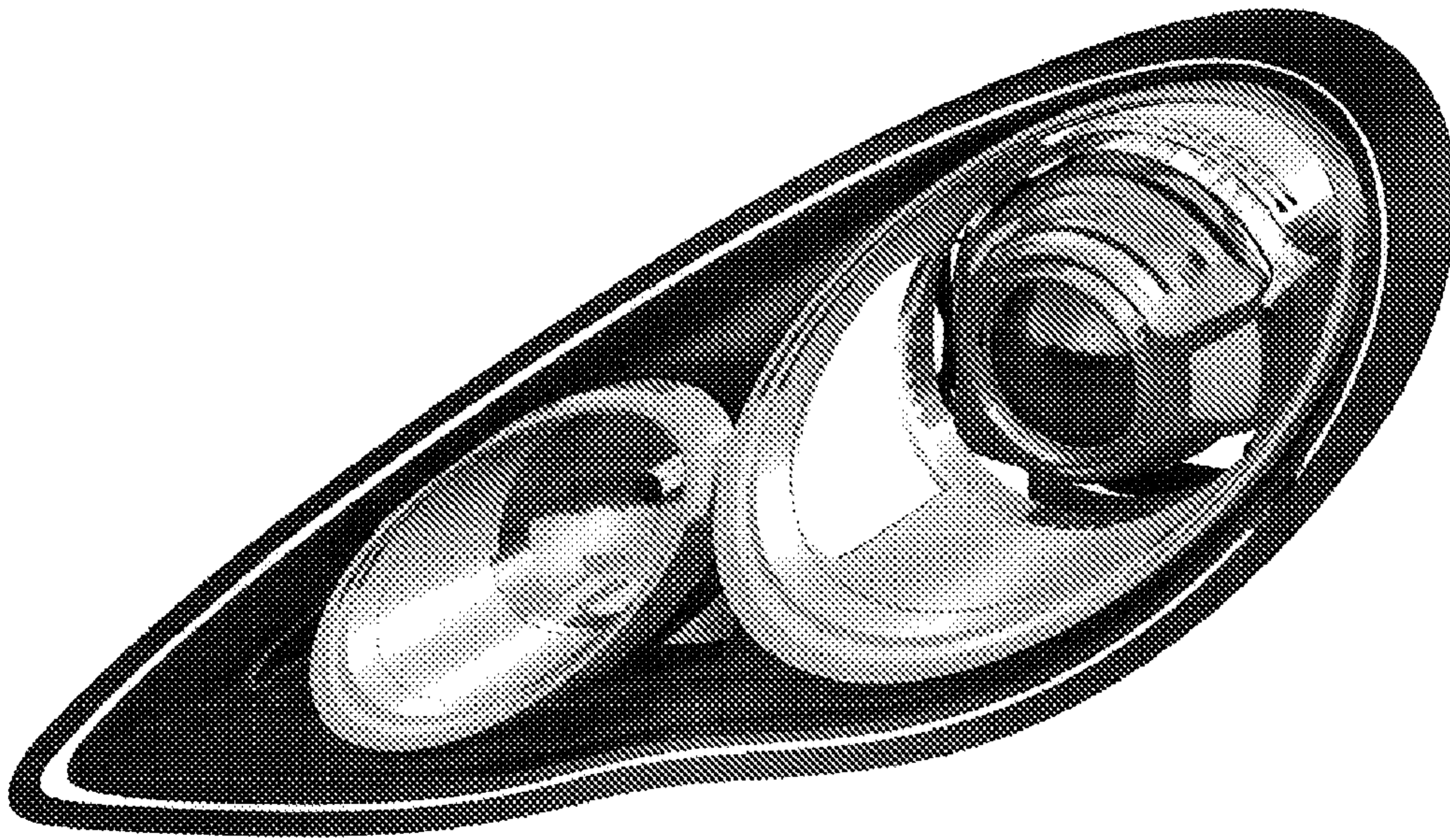


FIG. 2

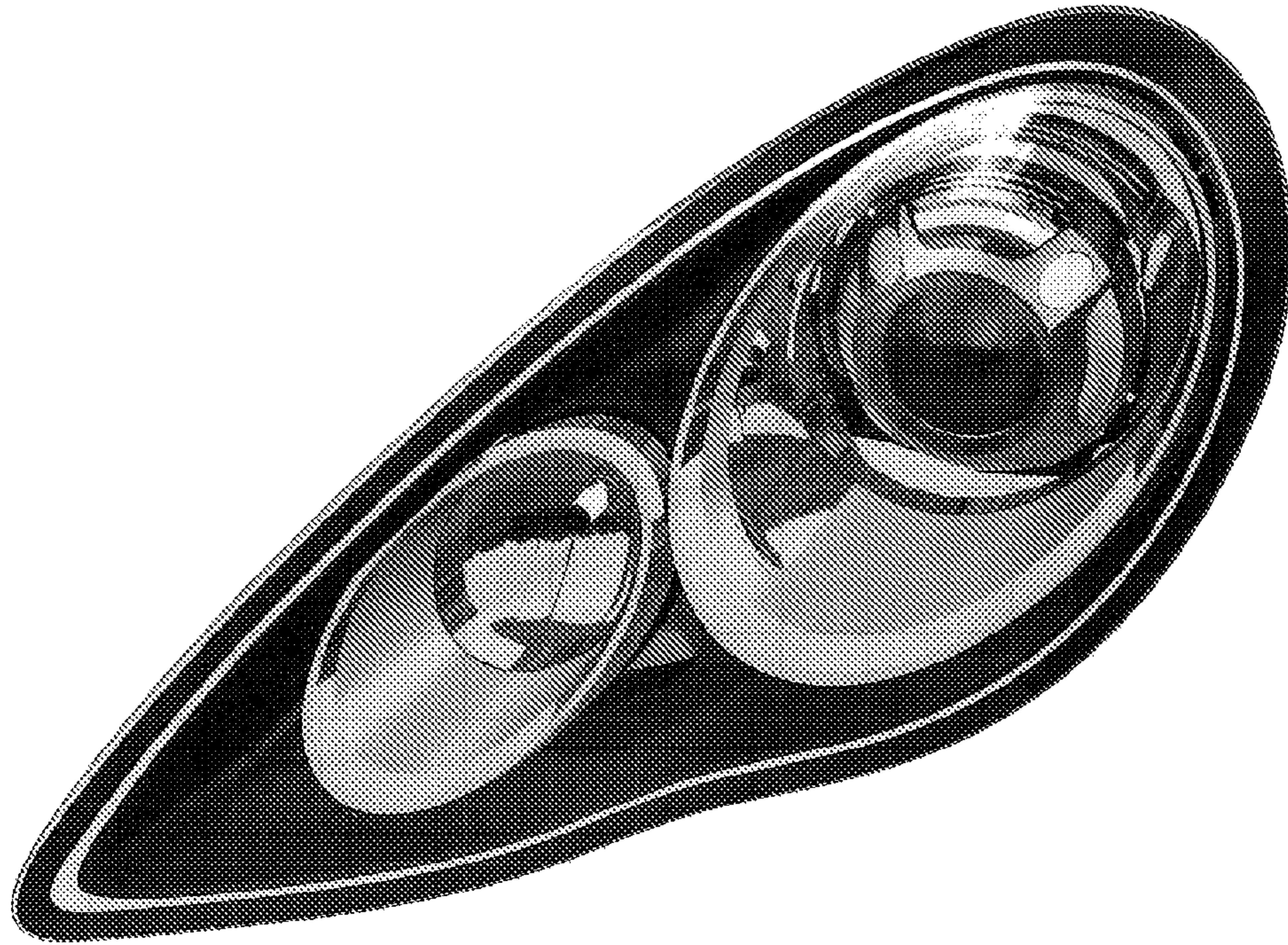


FIG. 3

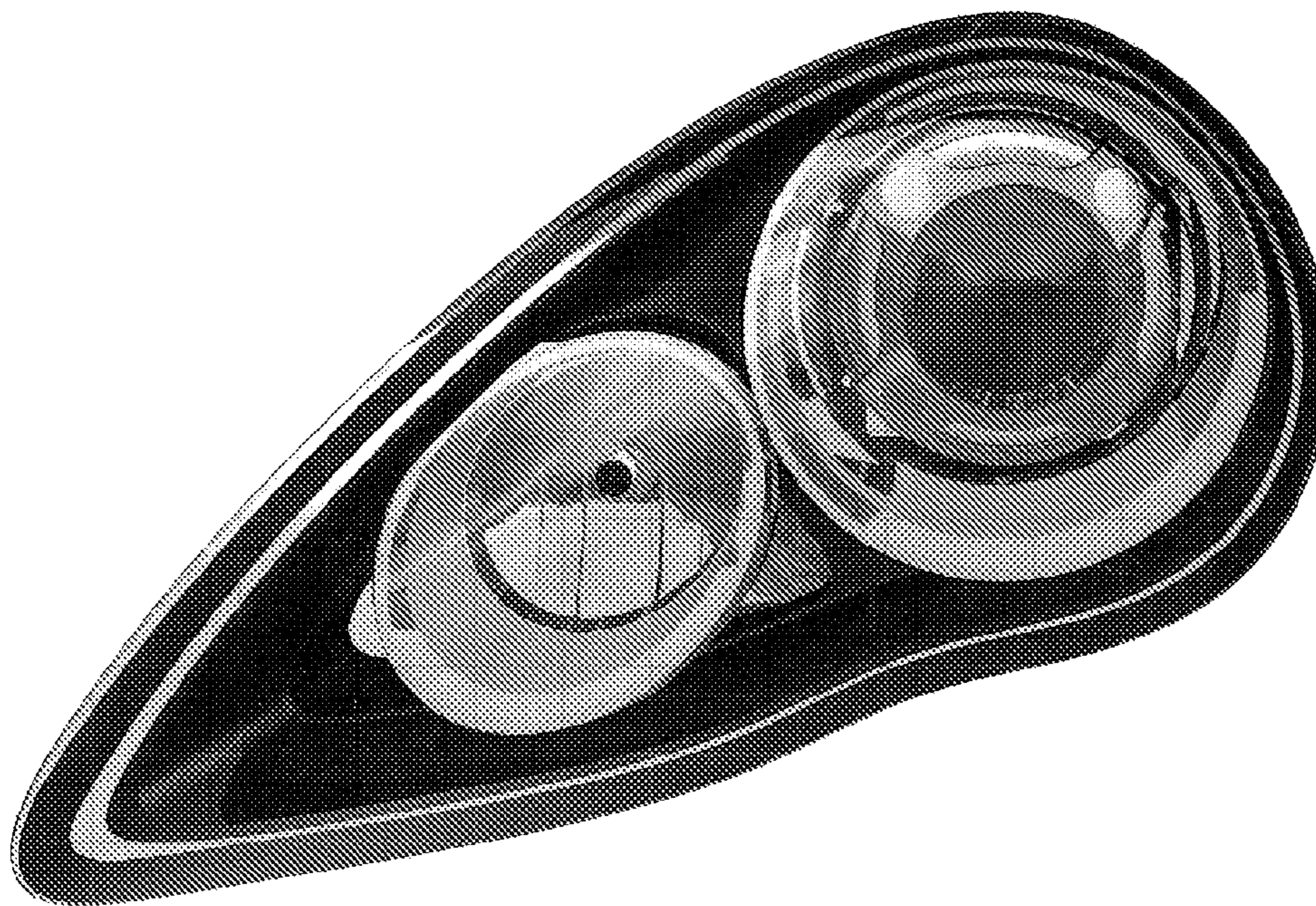


FIG. 4

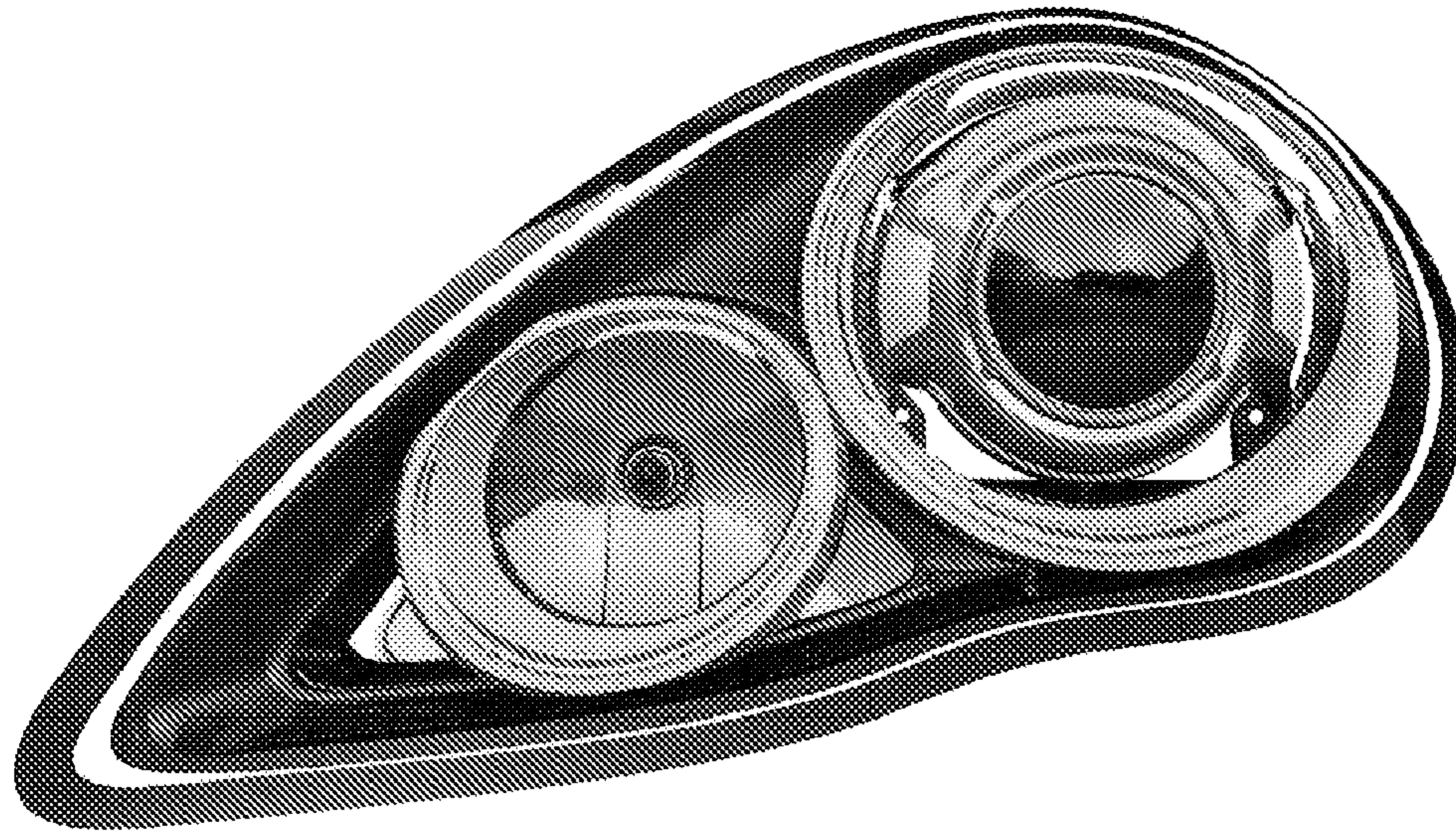


FIG. 5

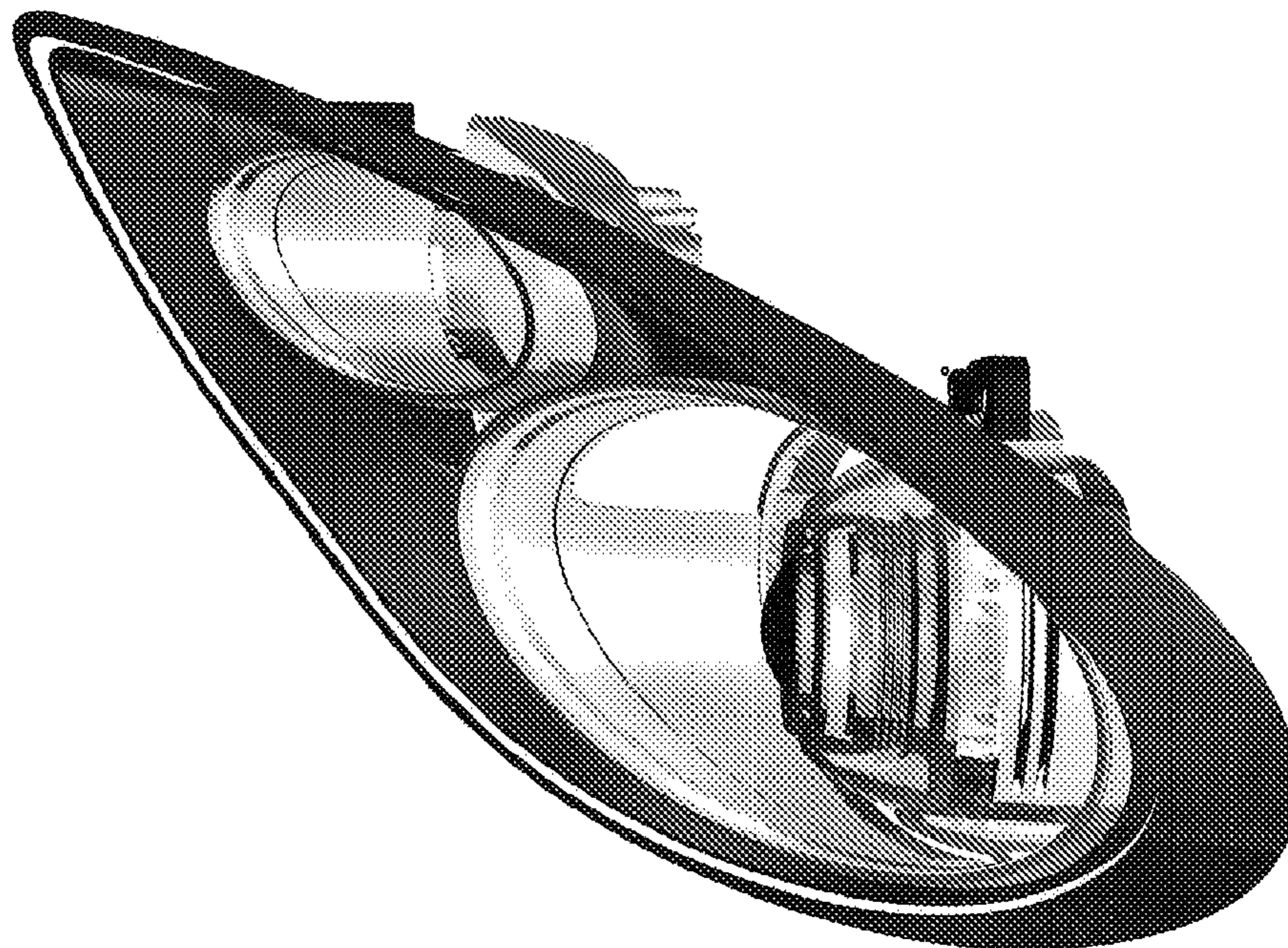


FIG. 6

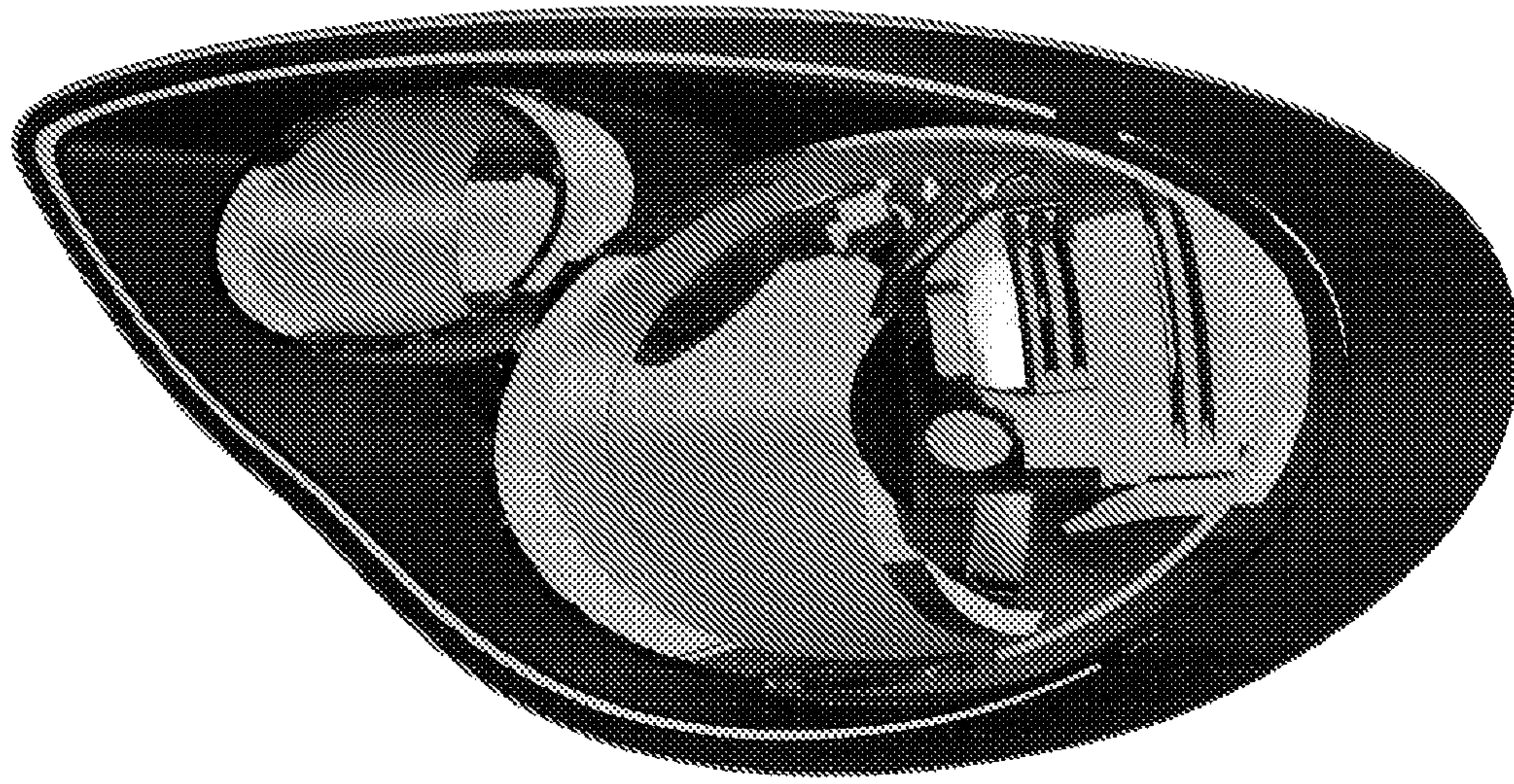


FIG. 7

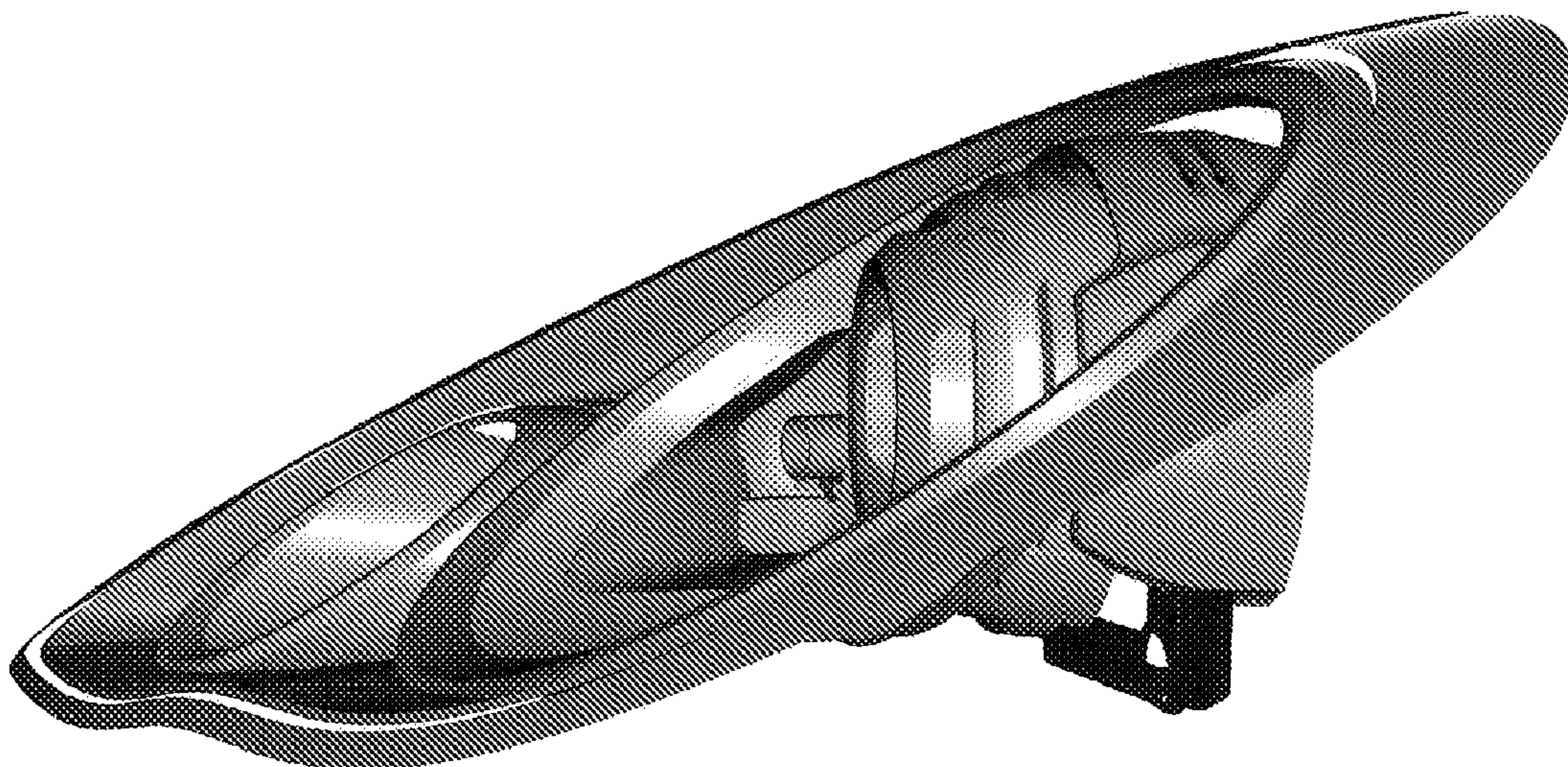


FIG. 8

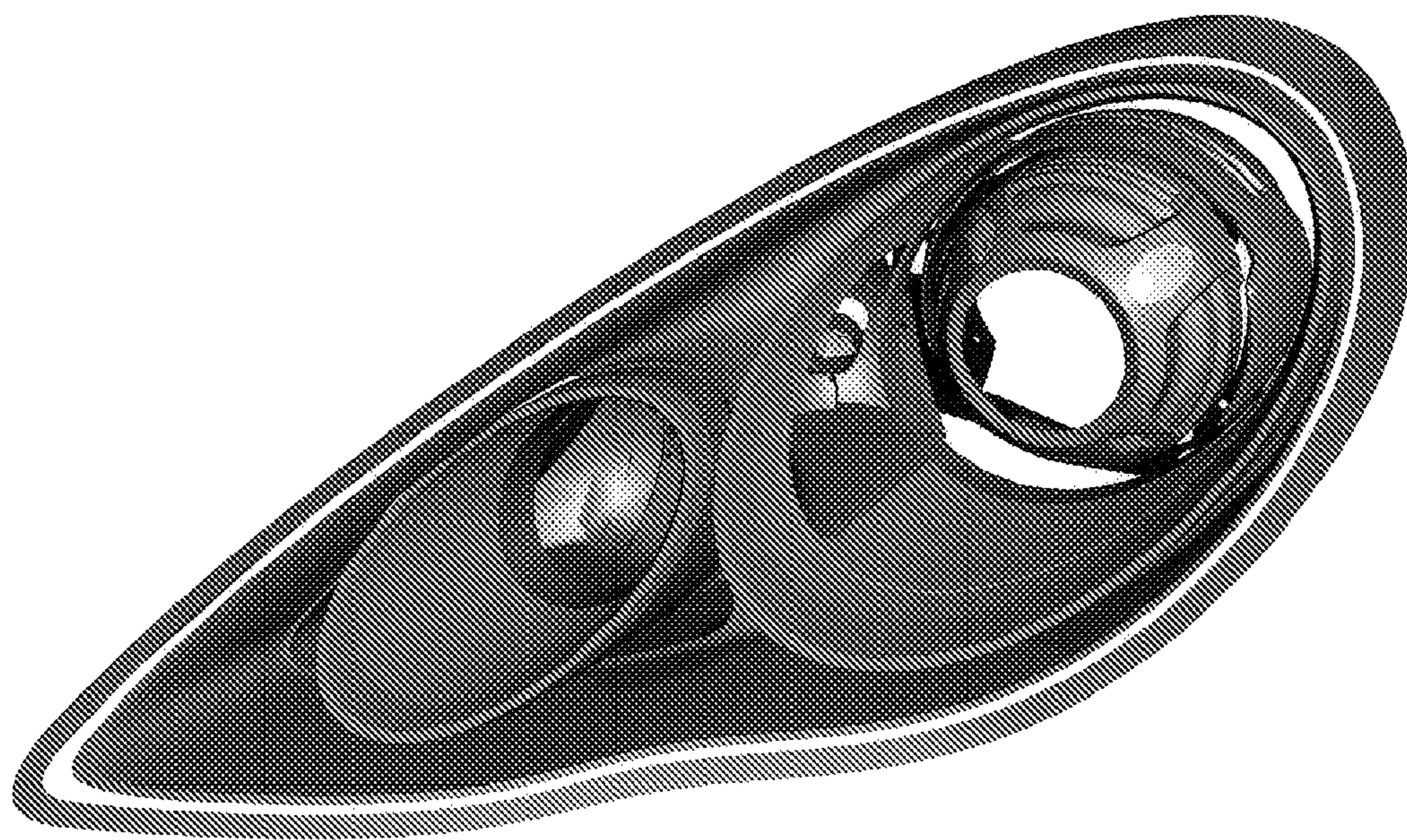


FIG. 9

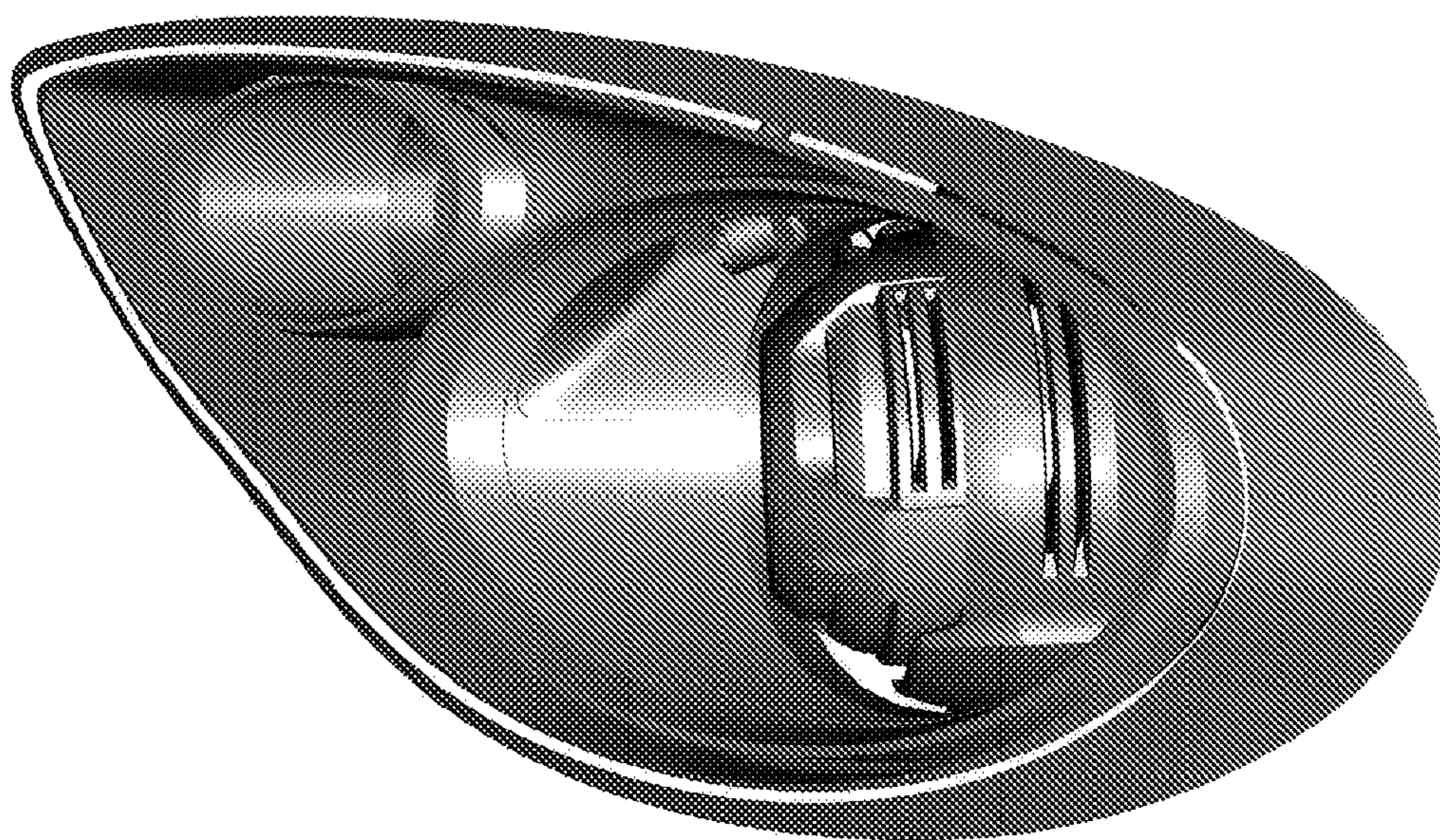


FIG. 10