



US00D591868S

(12) **United States Design Patent**
Bernard et al.

(10) **Patent No.:** **US D591,868 S**

(45) **Date of Patent:** **** May 5, 2009**

(54) **LADDER TOOL HOLDER**

6,279,741 B1 * 8/2001 Arvin 206/349
6,338,459 B1 * 1/2002 Biggs 248/210

(76) Inventors: **Ronald Bernard**, 3289 NE. Holly Creek
Dr., Jensen Beach, FL (US) 34957;
Ronald Bernard, Jr., 3289 NE. Holly
Creek Dr., Jensen Beach, FL (US) 34957

* cited by examiner

Primary Examiner—Doris Clark
(74) *Attorney, Agent, or Firm*—Jay M. Schloff; Intelliper
PLLC

(**) Term: **14 Years**

(21) Appl. No.: **29/260,961**

(57) **CLAIM**

(22) Filed: **Jun. 6, 2006**

We claim the ornamental design for a 'ladder tool holder,' as
shown and described.

(51) **LOC (9) Cl.** **25-04**

(52) **U.S. Cl.** **D25/68**

(58) **Field of Classification Search** D25/68;
181/129; 248/210, 238, 236
See application file for complete search history.

DESCRIPTION

FIG. 1 is a front view of a drill holder of a ladder tool holder;
FIG. 2 is a rear view of an attachment of the ladder tool holder;
and,

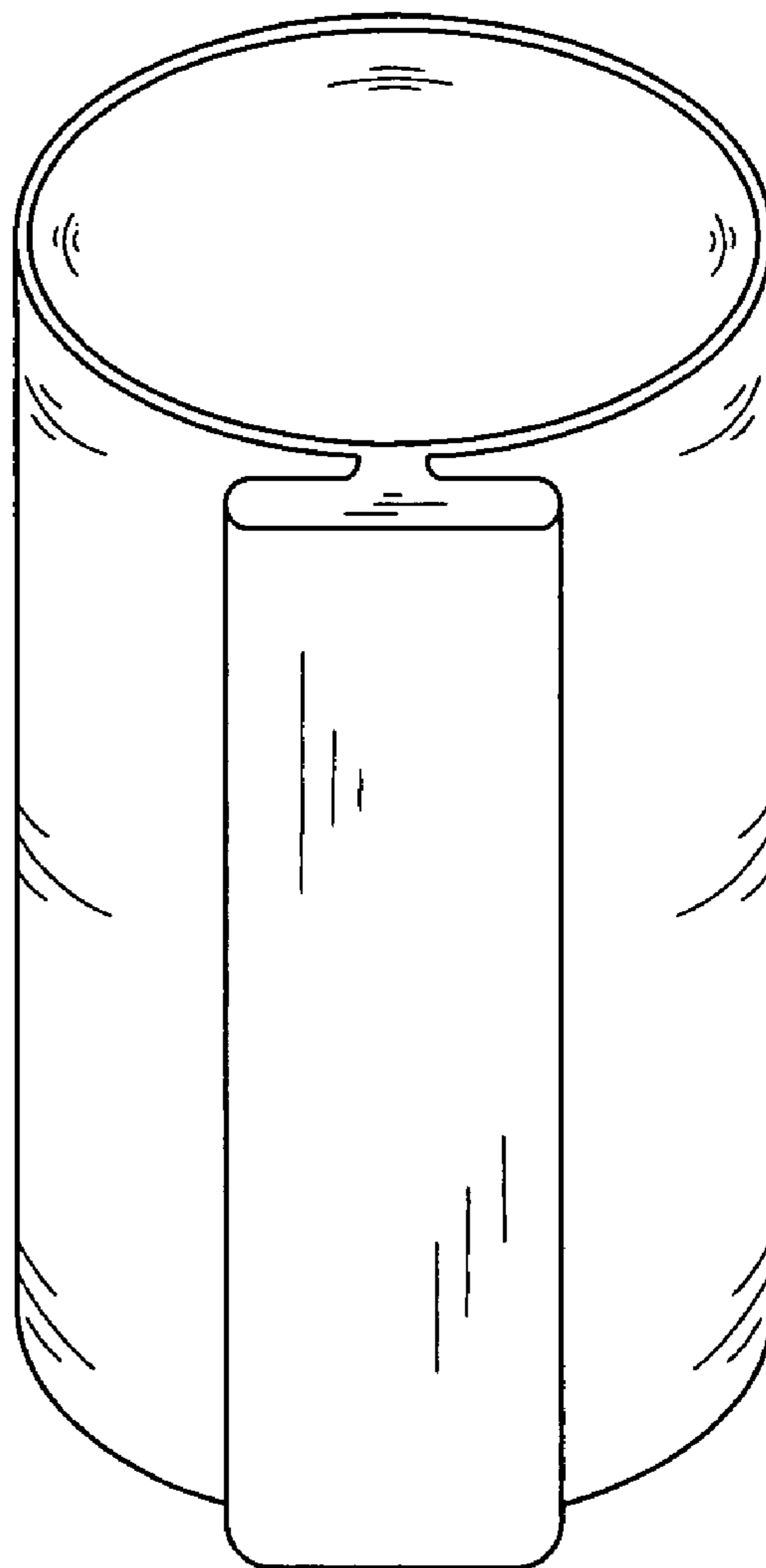
FIG. 3 is an elevation view assembled of the ladder tool
holder.

(56) **References Cited**

U.S. PATENT DOCUMENTS

D374,937 S * 10/1996 Salas D25/68

1 Claim, 3 Drawing Sheets



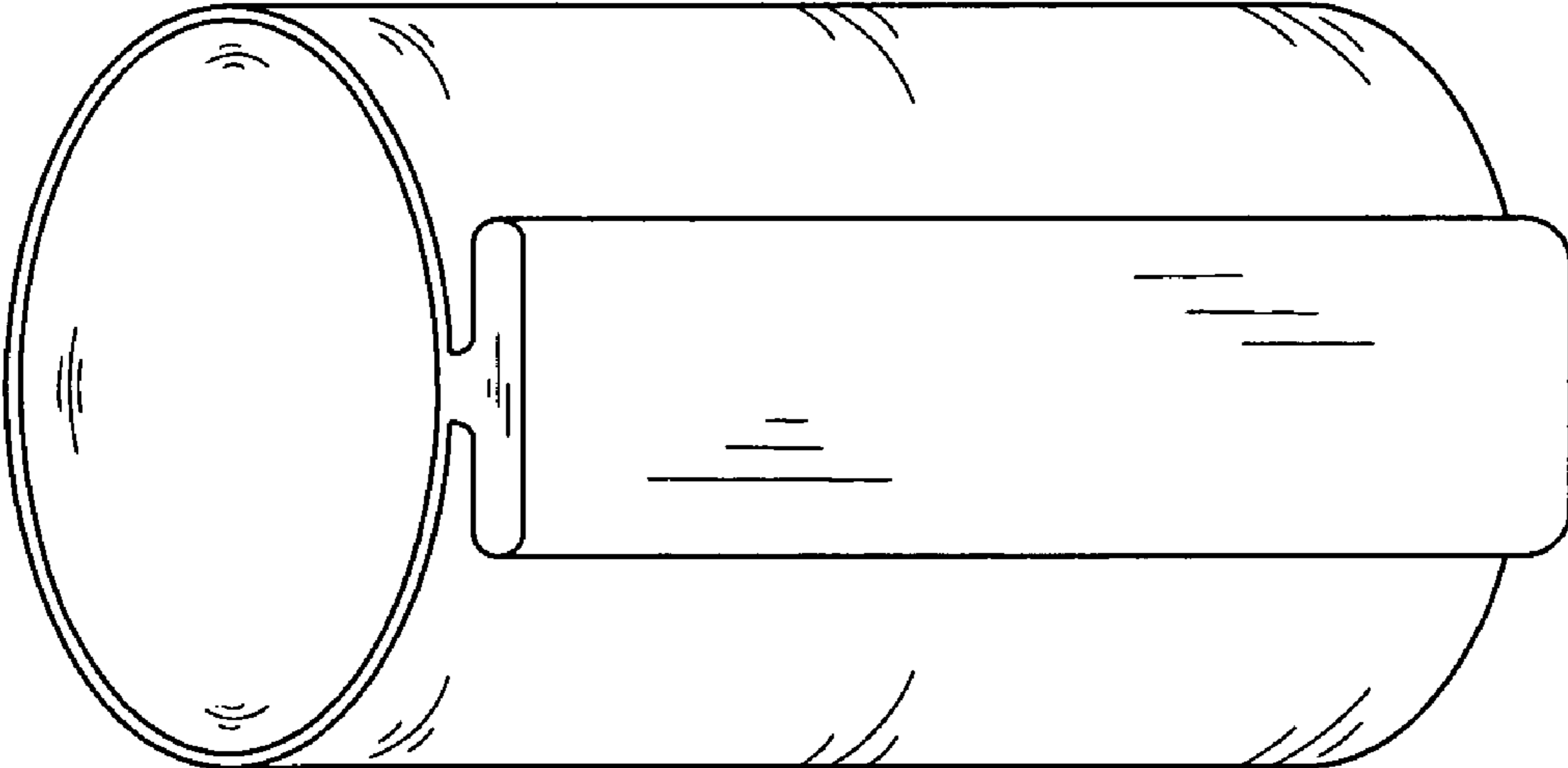


Figure 1

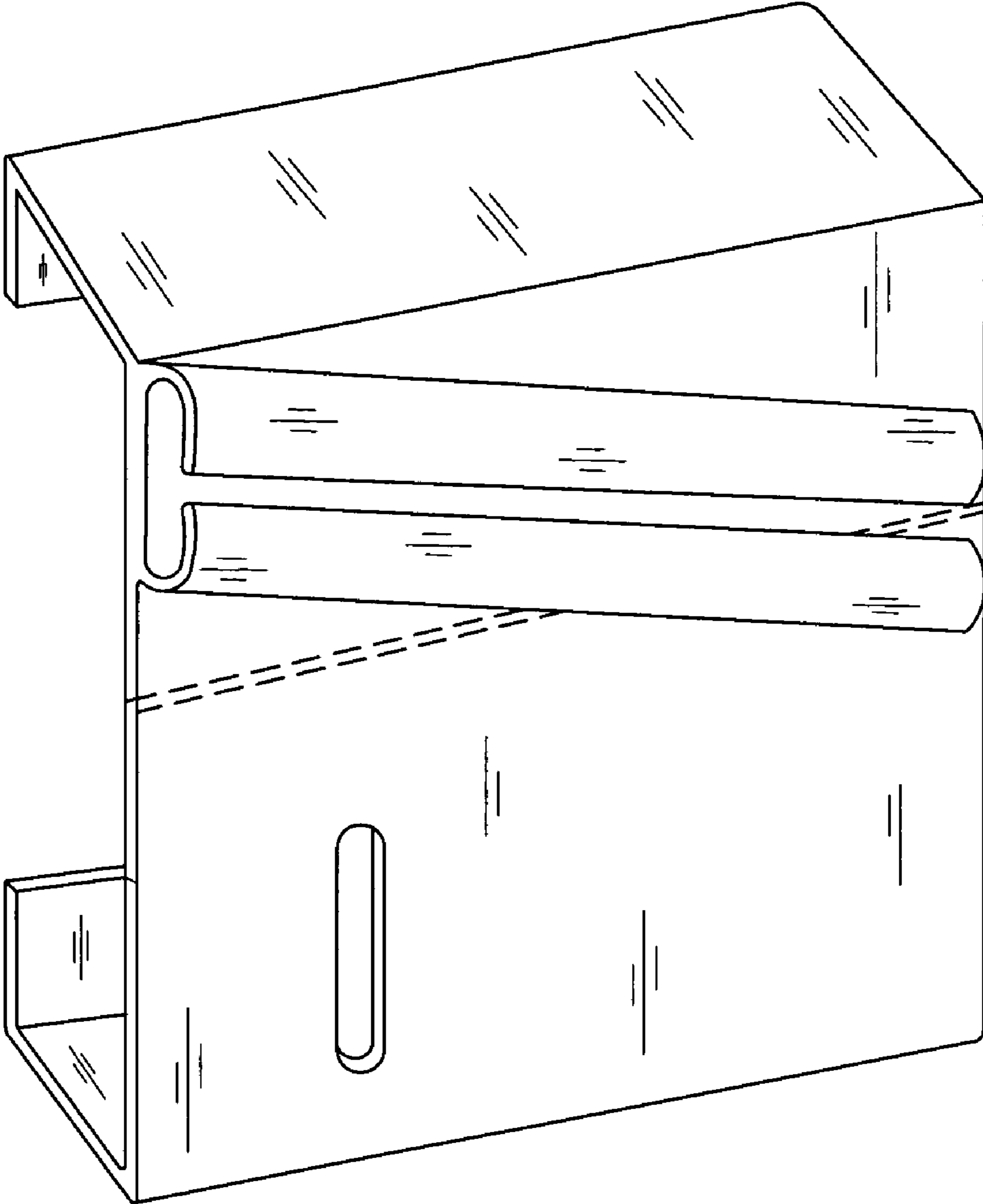


Figure 2

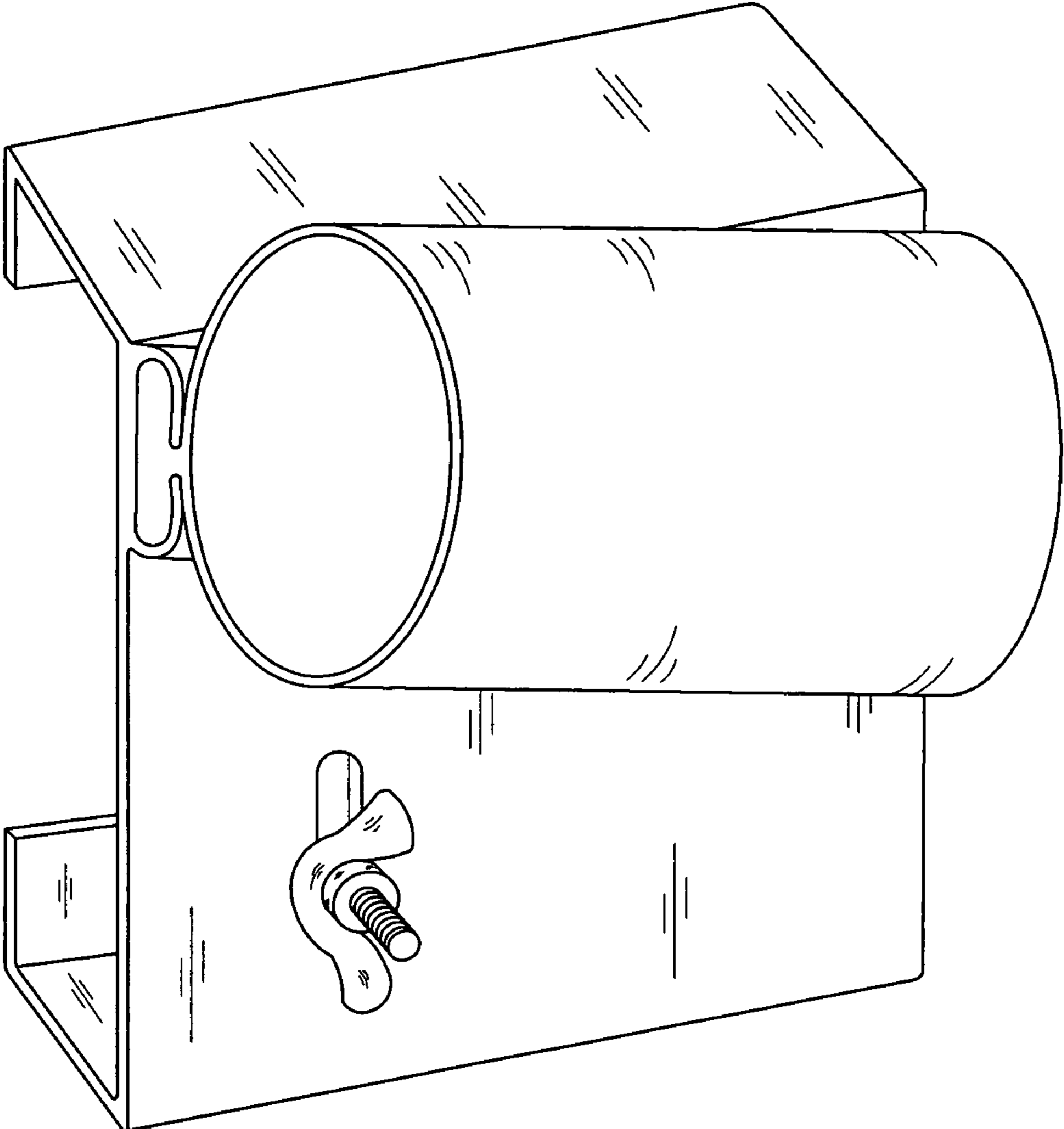


Figure 3