

US00D591866S

(12) **United States Design Patent**  
**Malkin et al.**

(10) **Patent No.:** **US D591,866 S**

(45) **Date of Patent:** **\*\* May 5, 2009**

(54) **CUP TRAY**

(75) Inventors: **Jill Malkin**, New York, NY (US);  
**Geoffrey J. Addeo**, New York, NY (US)

(73) Assignee: **KidKUPZ LLC**, New York, NY (US)

(\*\*) Term: **14 Years**

(21) Appl. No.: **29/301,946**

(22) Filed: **Mar. 24, 2008**

(51) **LOC (9) Cl.** ..... **24-02**

(52) **U.S. Cl.** ..... **D24/227**

(58) **Field of Classification Search** ..... D24/216,  
D24/224-231; 422/64-65, 81, 99, 102, 104,  
422/297, 300; 433/77; 206/562-564, 446,  
206/557; D9/420-42, 455, 737, 741; 248/154,  
248/311.2, 346.01; D7/547

See application file for complete search history.

(56) **References Cited**

**U.S. PATENT DOCUMENTS**

- D268,130 S \* 3/1983 Easton ..... D7/547
- D332,397 S \* 1/1993 Schea et al. .... D9/425
- D339,869 S \* 9/1993 Schea et al. .... D24/227

- D381,515 S \* 7/1997 Haynes ..... D9/455
- D450,130 S \* 11/2001 Goldstein ..... D24/227
- D501,680 S \* 2/2005 Smith ..... D24/229
- D577,578 S \* 9/2008 Lynn et al. .... D9/425
- D587,109 S \* 2/2009 Lyon et al. .... D9/737

\* cited by examiner

*Primary Examiner*—Robert A. Delehanty

*Assistant Examiner*—Mark Cavanna

(74) *Attorney, Agent, or Firm*—Davis Wright Tremaine LLP;  
George C. Rondeau, Jr.; Heather M. Colburn

(57) **CLAIM**

The ornamental design for a cup tray, substantially as shown and described.

**DESCRIPTION**

FIG. 1 is a perspective view of the cup tray showing our new design;

FIG. 2 is an elevation view of one side of the cup tray; the other side being the mirror image thereof;

FIG. 3 is an elevation view of one end of the cup tray; the other end being the mirror image thereof; and,

FIG. 4 is top view of the cup tray.

**1 Claim, 3 Drawing Sheets**

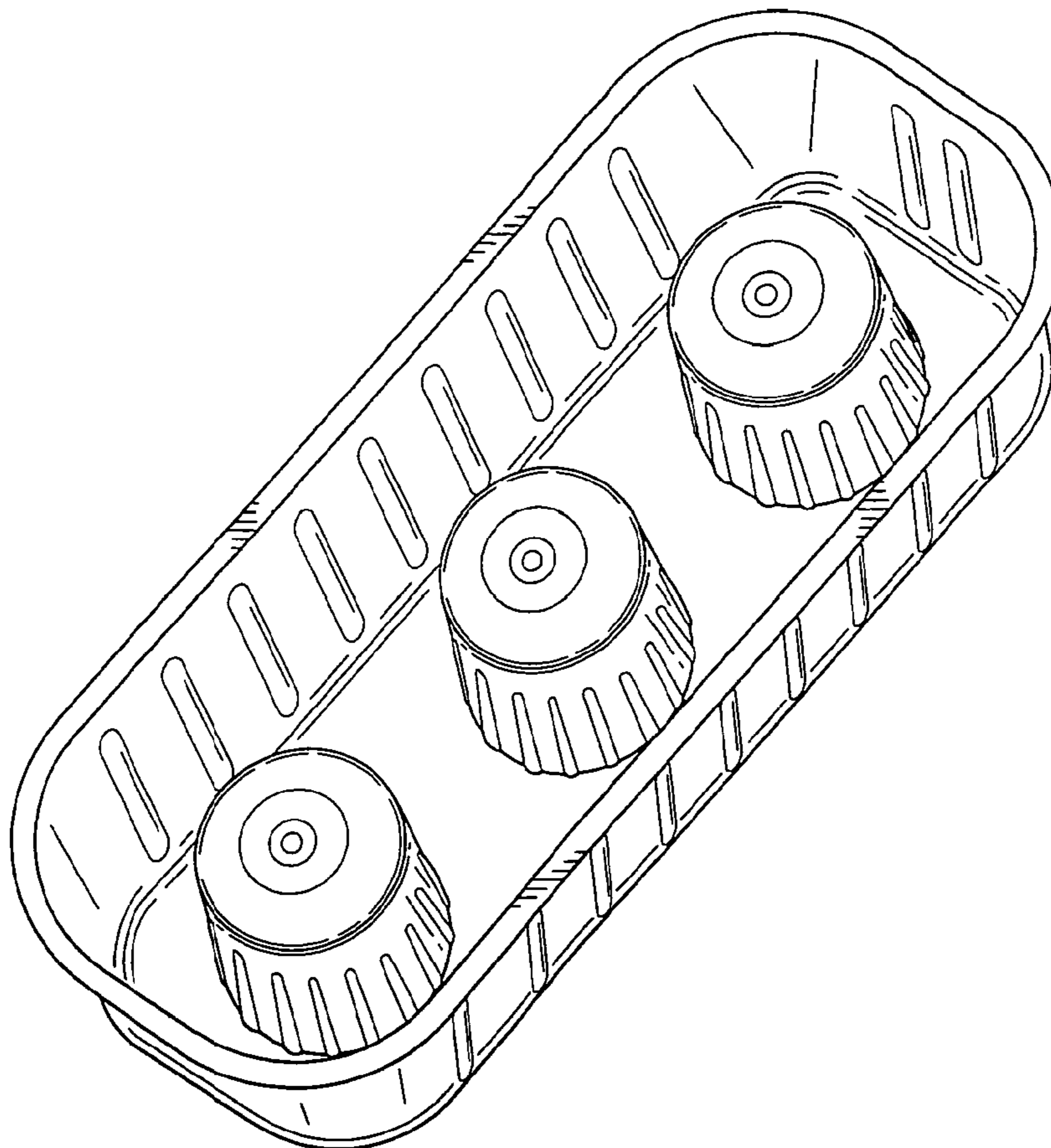
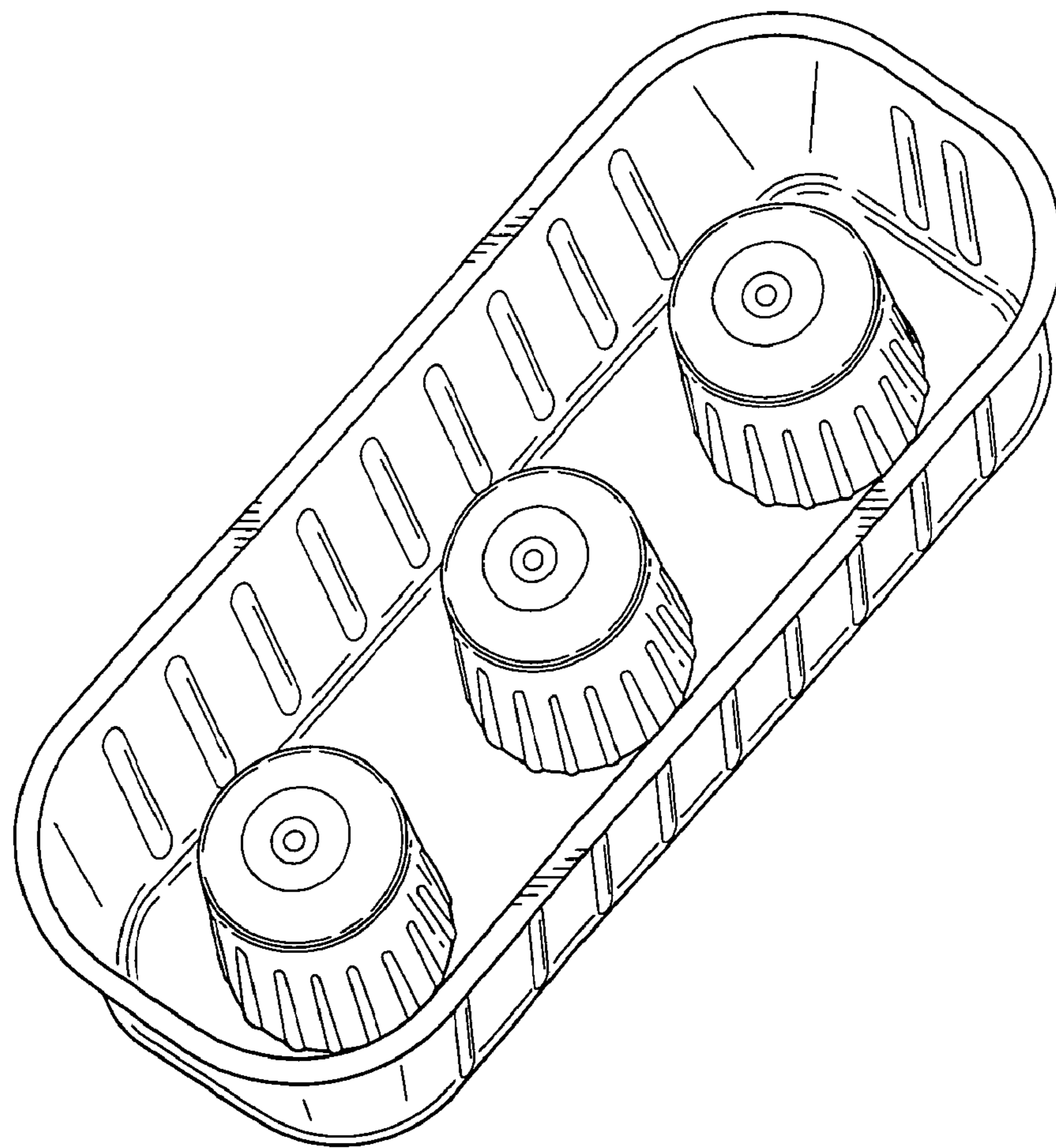
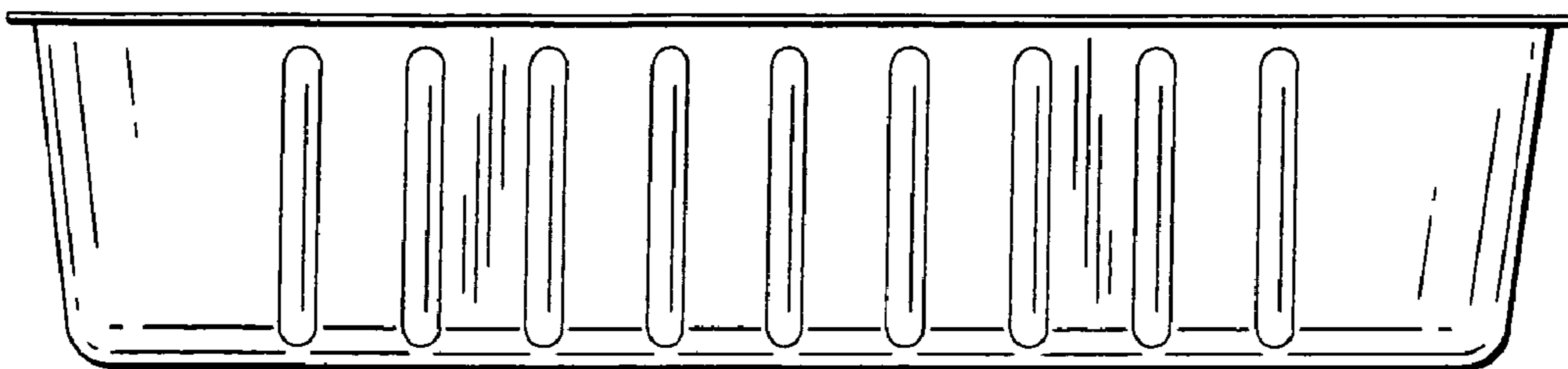


FIG. 1



*FIG. 2*



*FIG. 3*

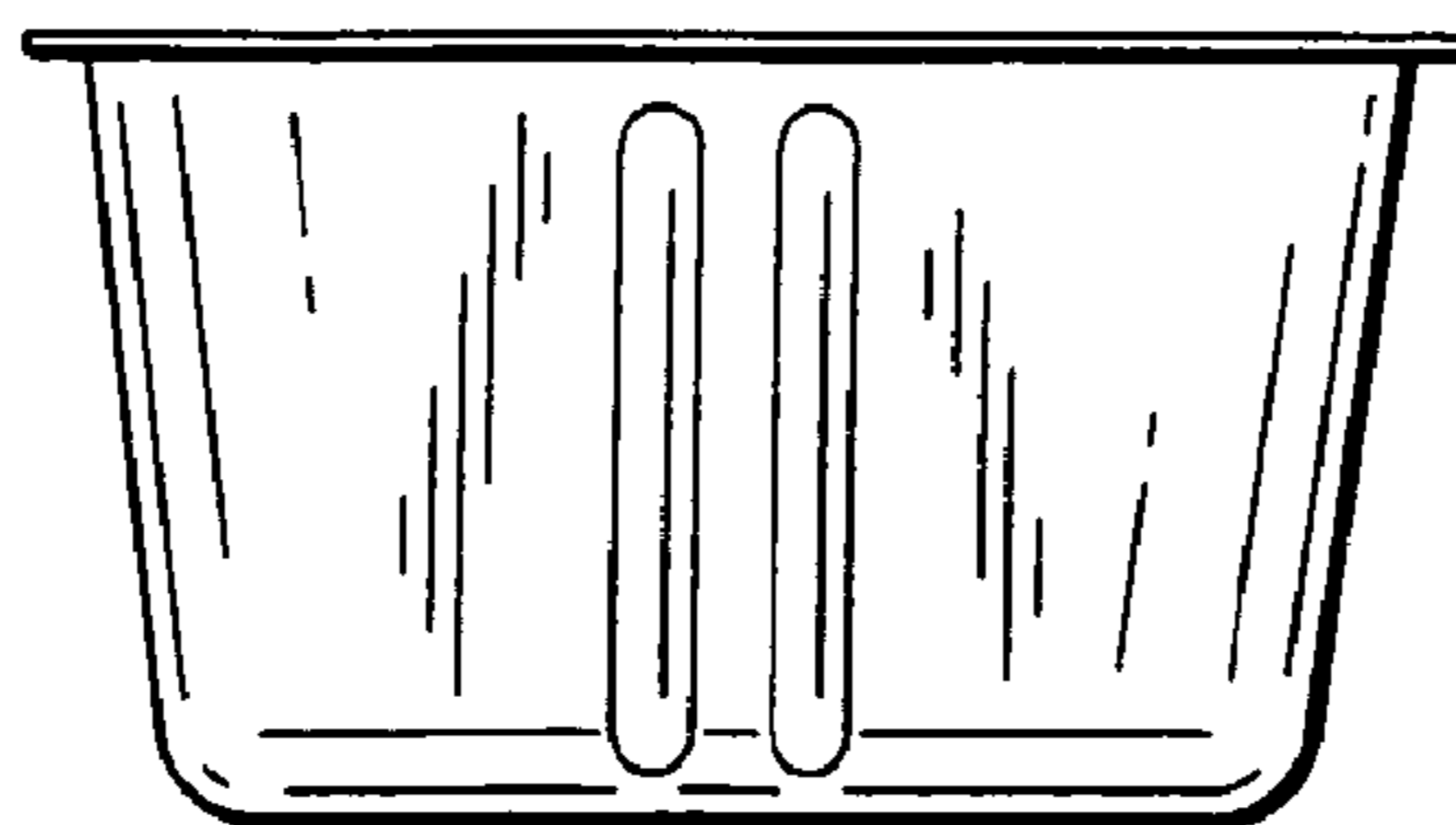
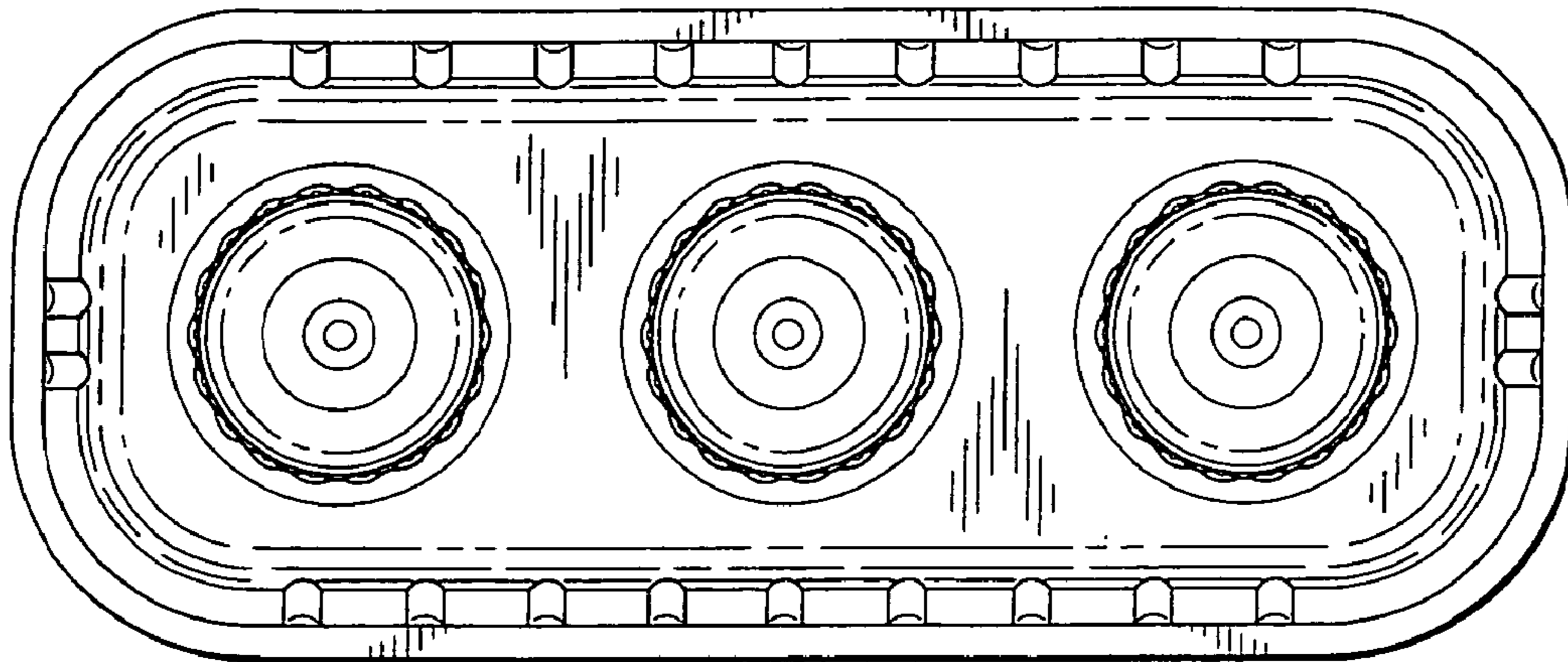


FIG. 4



UNITED STATES PATENT AND TRADEMARK OFFICE  
**CERTIFICATE OF CORRECTION**

PATENT NO. : Des. 591,866 S  
APPLICATION NO. : 29/301946  
DATED : May 5, 2009  
INVENTOR(S) : Jill Malkin et al.

Page 1 of 1

It is certified that error appears in the above-identified patent and that said Letters Patent is hereby corrected as shown below:

On page 1, add the following, Item (60)

Related U.S. Application Data

Division of application No. 12/070,144, filed on February 14, 2008.

Signed and Sealed this  
Fourth Day of August, 2009



JOHN DOLL  
*Acting Director of the United States Patent and Trademark Office*