

US00D591865S

(12) **United States Design Patent**  
**Hintikka**

(10) **Patent No.:** **US D591,865 S**

(45) **Date of Patent:** **\*\* May 5, 2009**

(54) **PIPETTE**

(75) Inventor: **Ville Hintikka**, Espoo (FI)

(73) Assignee: **Biohit Oyj** (FI)

(\*\*) Term: **14 Years**

(21) Appl. No.: **29/306,099**

(22) Filed: **Apr. 2, 2008**

(30) **Foreign Application Priority Data**

Oct. 22, 2007 (EM) ..... 812938-0002

(51) **LOC (9) Cl.** ..... **24-02**

(52) **U.S. Cl.** ..... **D24/222**

(58) **Field of Classification Search** ..... D24/222,  
D24/108, 112, 113, 114; D10/81; 73/864.01,  
73/864.11, 864.13, 864.14, 864.16; 422/100,  
422/923, 928

See application file for complete search history.

(56) **References Cited**

U.S. PATENT DOCUMENTS

- 3,827,305 A \* 8/1974 Gilson et al. .... 73/864.18
- 4,283,950 A \* 8/1981 Tervamaki ..... 73/864.14
- 4,418,580 A \* 12/1983 Satchell et al. .... 73/864.13
- 5,018,394 A \* 5/1991 Gilson ..... 73/864.18
- 5,389,341 A \* 2/1995 Tuunanen et al. .... 422/100
- 5,403,553 A \* 4/1995 Heinonen ..... 422/100
- D375,798 S \* 11/1996 Boothby ..... D24/222

- 5,747,709 A \* 5/1998 Oshikubo ..... 73/864.18
- D419,685 S \* 1/2000 Jacquet et al. .... D24/222
- 6,532,837 B1 \* 3/2003 Magussen et al. .... 73/864.14
- 6,841,129 B2 \* 1/2005 Braun et al. .... 422/100
- 2007/0272037 A1 \* 11/2007 Telimaa et al. .... 73/864.01

\* cited by examiner

*Primary Examiner*—T. Chase Nelson

*Assistant Examiner*—Anhdao Doan

(74) *Attorney, Agent, or Firm*—Hiscock & Barclay, LLP

(57) **CLAIM**

I claim the ornamental design for a pipette, as shown and described.

**DESCRIPTION**

FIG. 1 is a front view of an embodiment of a pipette showing my new design;

FIG. 2 is a righthand side view of the pipette shown in FIG. 1, the lefthand side view being the mirror image of the right side view;

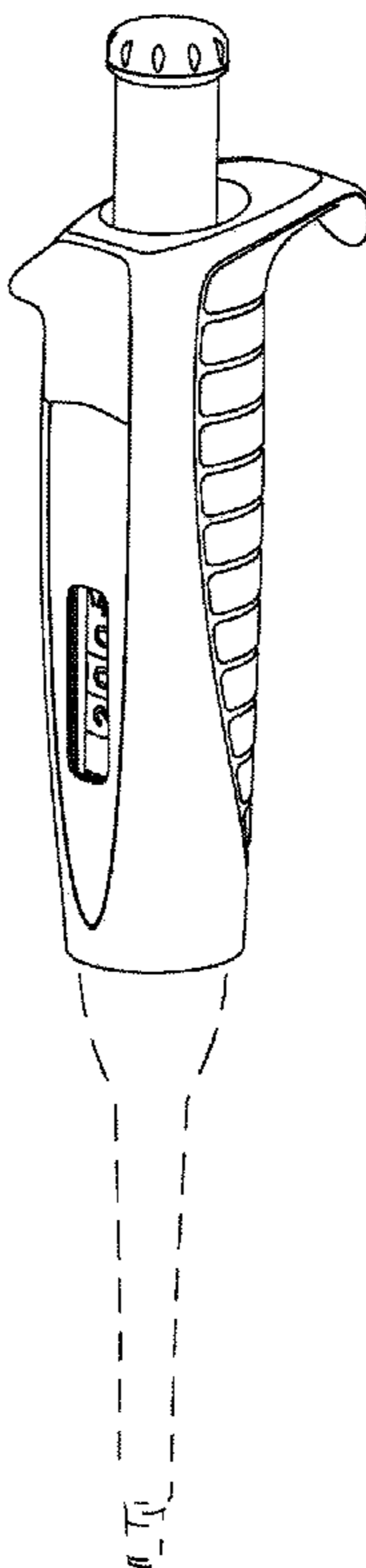
FIG. 3 is a top view of the pipette shown in FIG. 1, to a different scale;

FIG. 4 is a rear view of the pipette shown in FIG. 1; and,

FIG. 5 is a perspective view from the right side of the pipette shown in FIG. 1.

The portion of the pipette shown in broken lines in FIGS. 1, 2, 4 and 5 does not constitute part of the claimed design.

**1 Claim, 5 Drawing Sheets**



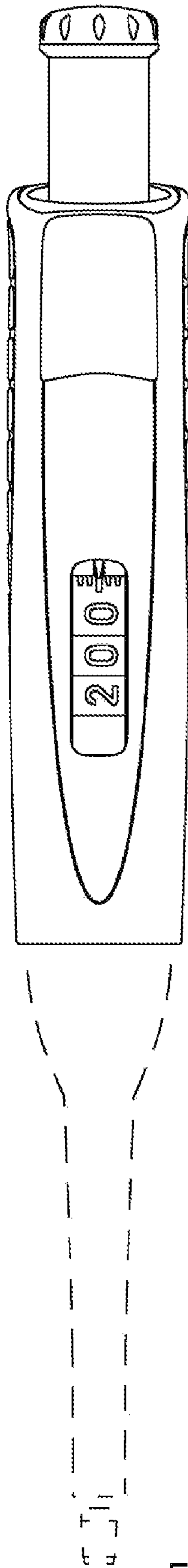


Fig. 1

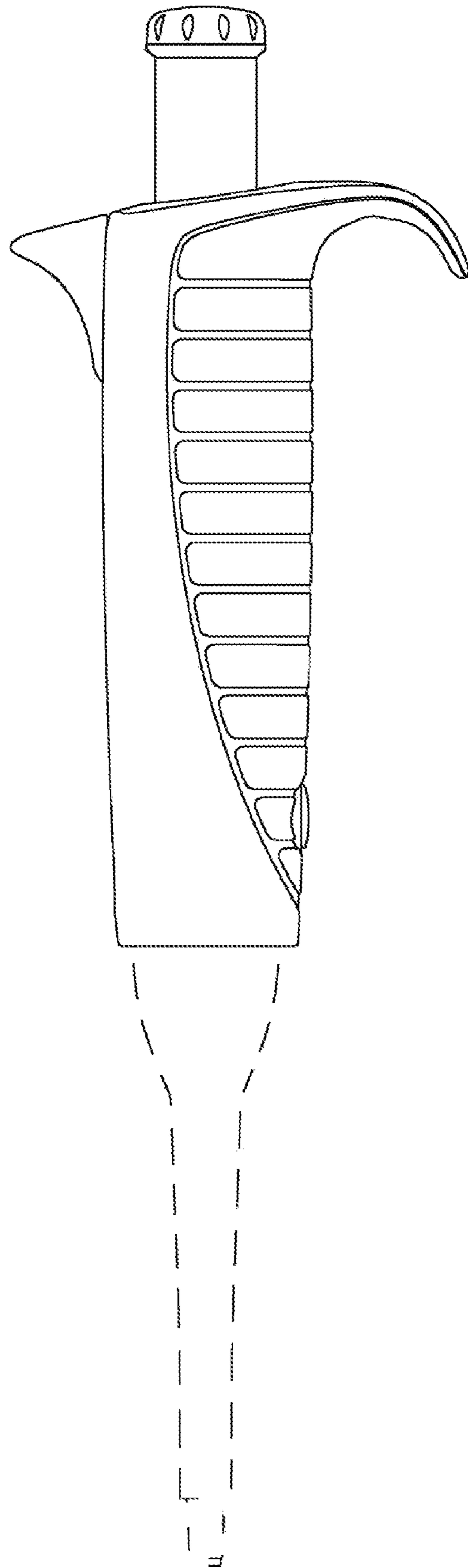


Fig. 2

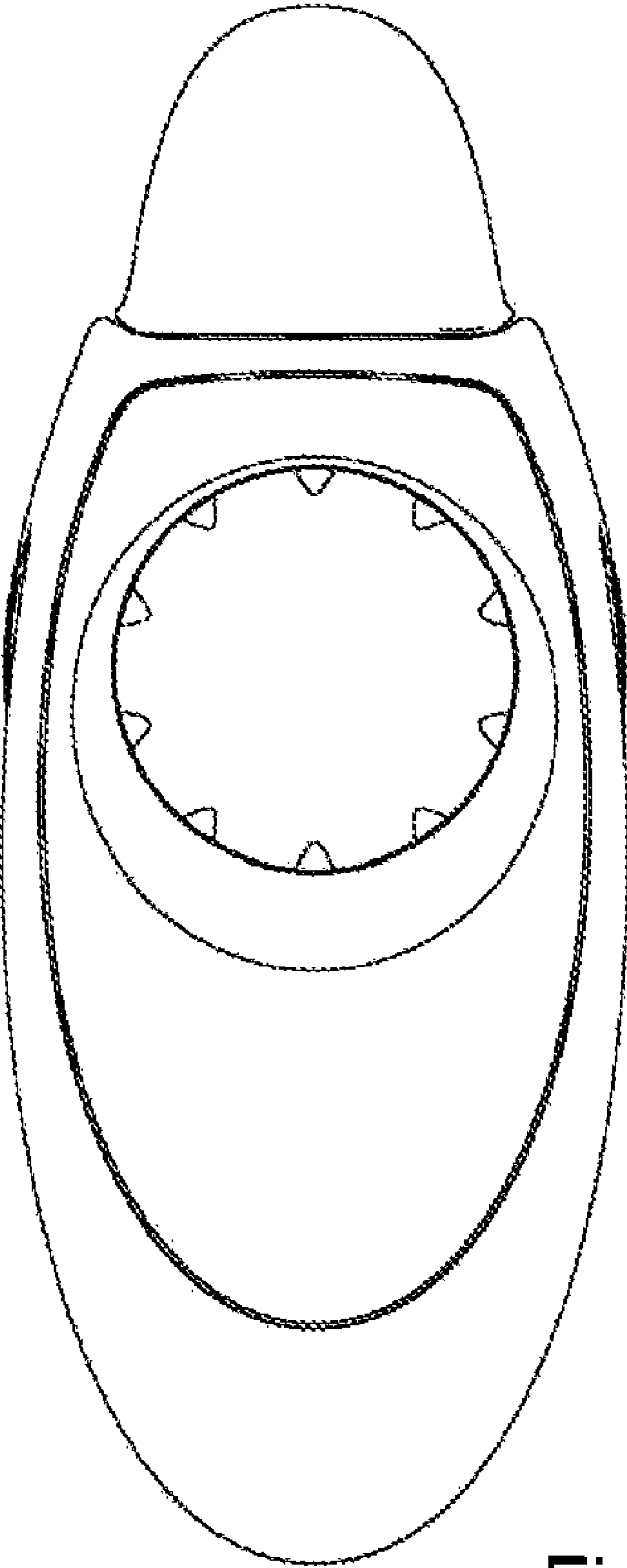


Fig.3

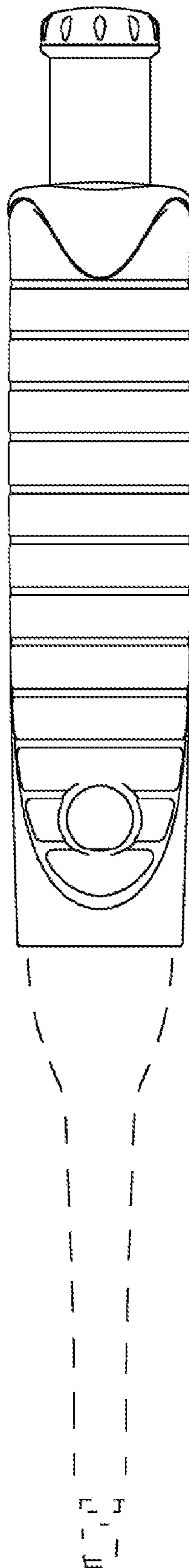


Fig. 4

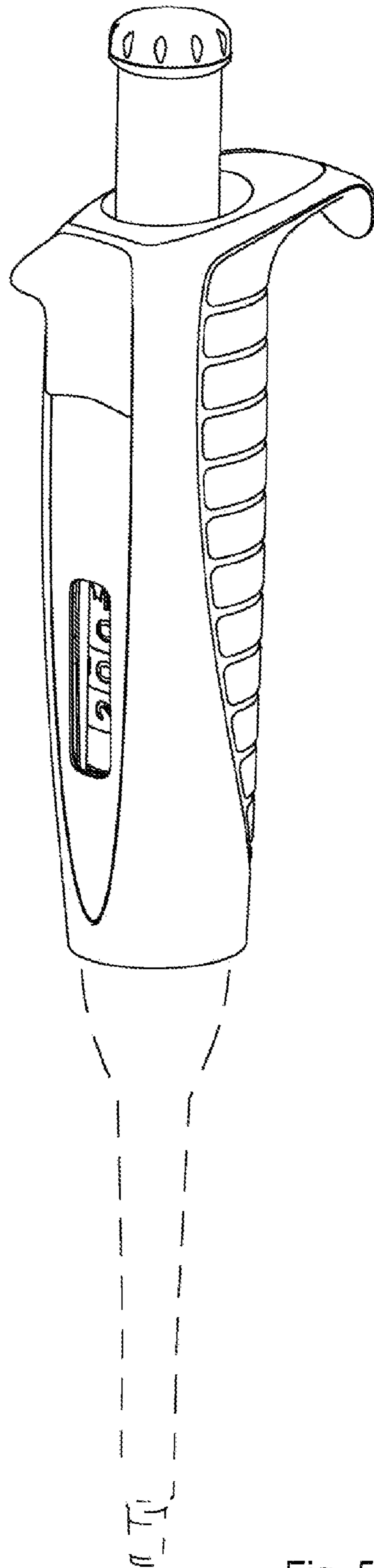


Fig. 5