



US00D591862S

(12) **United States Design Patent**  
**Taniguchi et al.**

(10) **Patent No.:** **US D591,862 S**

(45) **Date of Patent:** **\*\* May 5, 2009**

(54) **RADIO FREQUENCY COIL FOR MAGNETIC RESONANCE IMAGING APPARATUS**

(75) Inventors: **Takeshi Taniguchi**, Chiyoda (JP);  
**Shinichiro Suzuki**, Chiyoda (JP);  
**Takahide Shimoda**, Chiyoda (JP);  
**Masayoshi Dohata**, Kokubunji (JP);  
**Daisuke Yokoyama**, Chuo (JP)

(73) Assignee: **Hitachi Medical Corporation**, Tokyo (JP)

(\*\*) Term: **14 Years**

(21) Appl. No.: **29/318,339**

(22) Filed: **May 19, 2008**

(30) **Foreign Application Priority Data**

Nov. 20, 2007 (JP) ..... 2007-031873

(51) **LOC (9) Cl.** ..... **24-01**

(52) **U.S. Cl.** ..... **D24/158**

(58) **Field of Classification Search** ..... D24/158-161,  
D24/183, 186; 378/4, 15, 17, 19, 20, 21-27;  
600/409, 410, 425, 476

See application file for complete search history.

(56) **References Cited**

**U.S. PATENT DOCUMENTS**

D283,729 S \* 5/1986 Ramsey ..... D24/158

D318,726 S \* 7/1991 Takekoshi et al. .... D24/159

D323,711 S \* 2/1992 Takekoshi et al. .... D24/159

D325,632 S \* 4/1992 Kogane et al. .... D24/158

D399,958 S \* 10/1998 Hiramatsu ..... D24/158

D557,418 S \* 12/2007 Onuma et al. .... D24/158

\* cited by examiner

*Primary Examiner*—T. Chase Nelson

*Assistant Examiner*—Anhdao Doan

(74) *Attorney, Agent, or Firm*—Antonelli, Terry, Stout & Kraus, LLP.

(57) **CLAIM**

We claim the ornamental design for a radio frequency coil for magnetic resonance imaging apparatus, as shown.

**DESCRIPTION**

FIG. 1 is a front, top and right side perspective view of a radio frequency coil for magnetic resonance imaging apparatus showing our new design;

FIG. 2 is a front elevational view thereof;

FIG. 3 is a left side elevational view thereof;

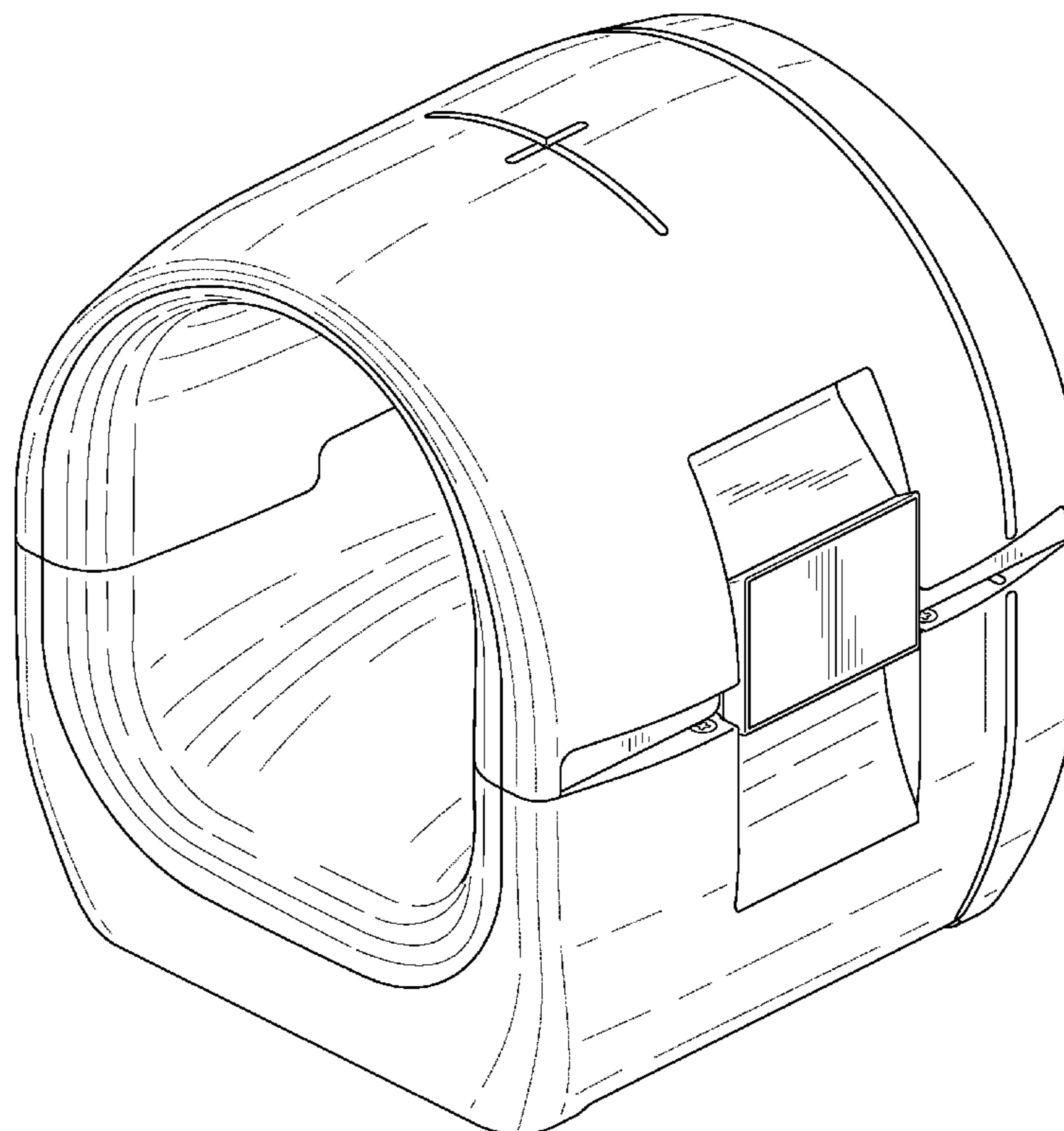
FIG. 4 is a right side elevational view thereof;

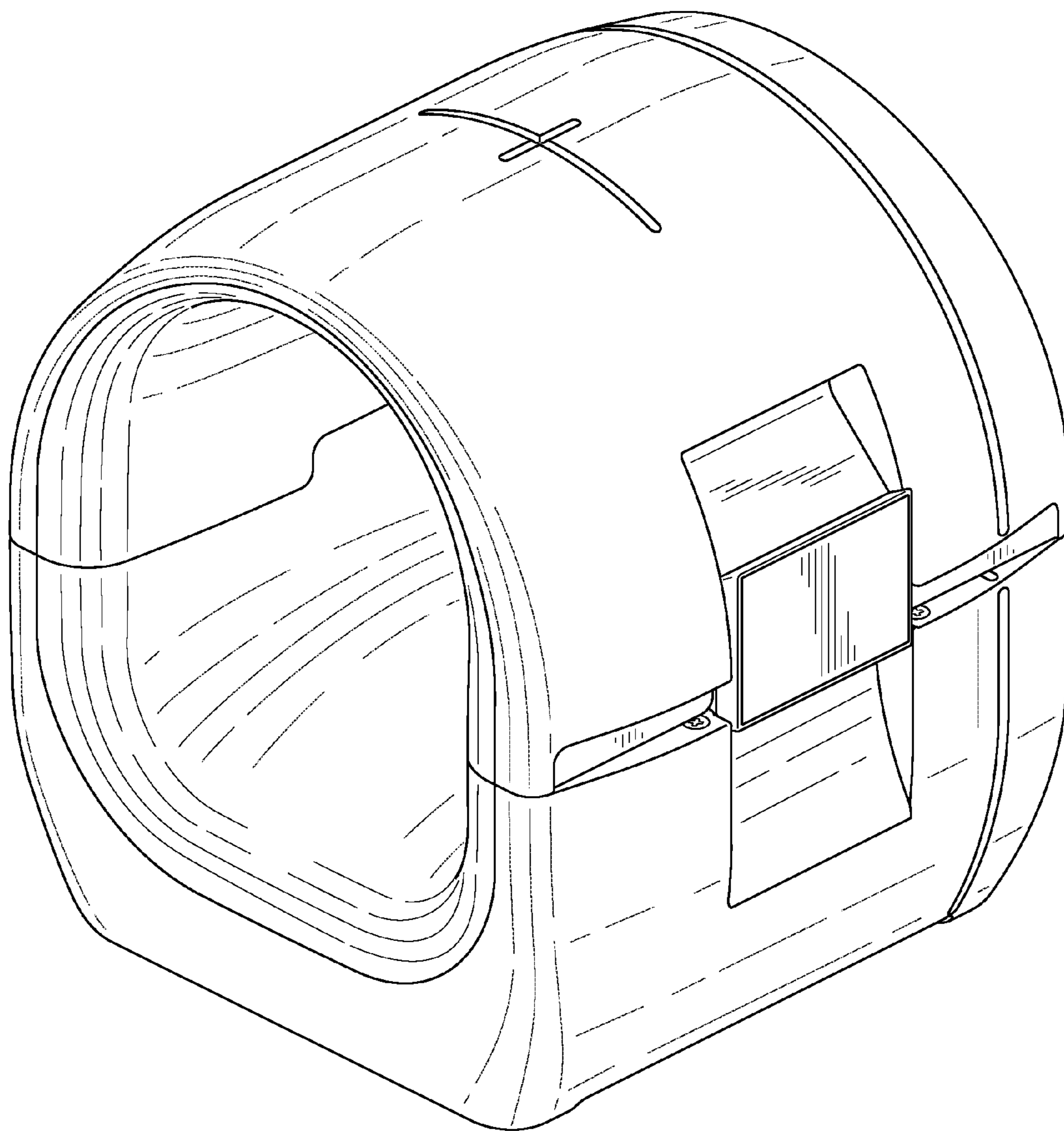
FIG. 5 is a top plan view thereof;

FIG. 6 is a bottom plan view thereof; and,

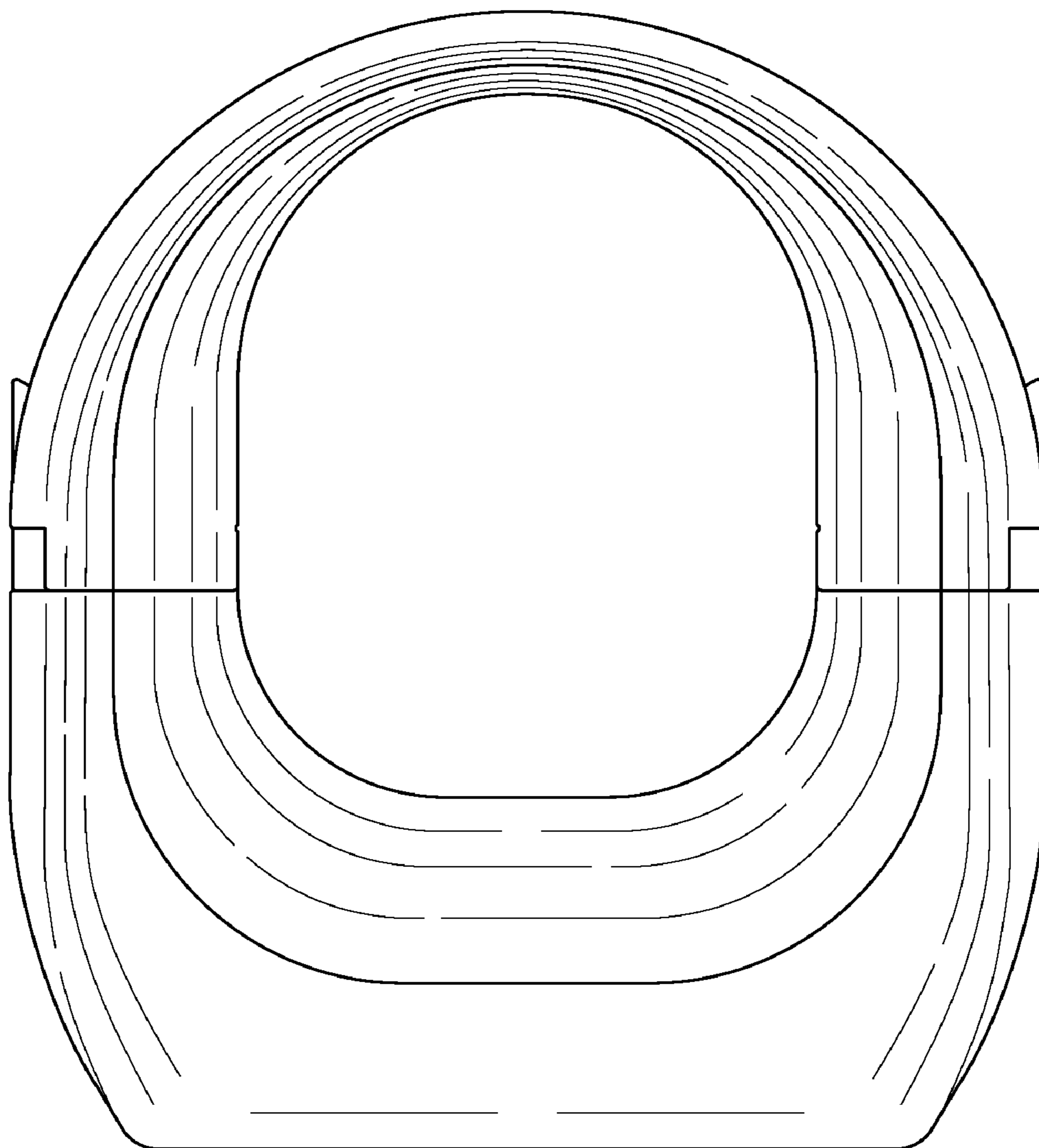
FIG. 7 is a rear side elevational view thereof.

**1 Claim, 7 Drawing Sheets**

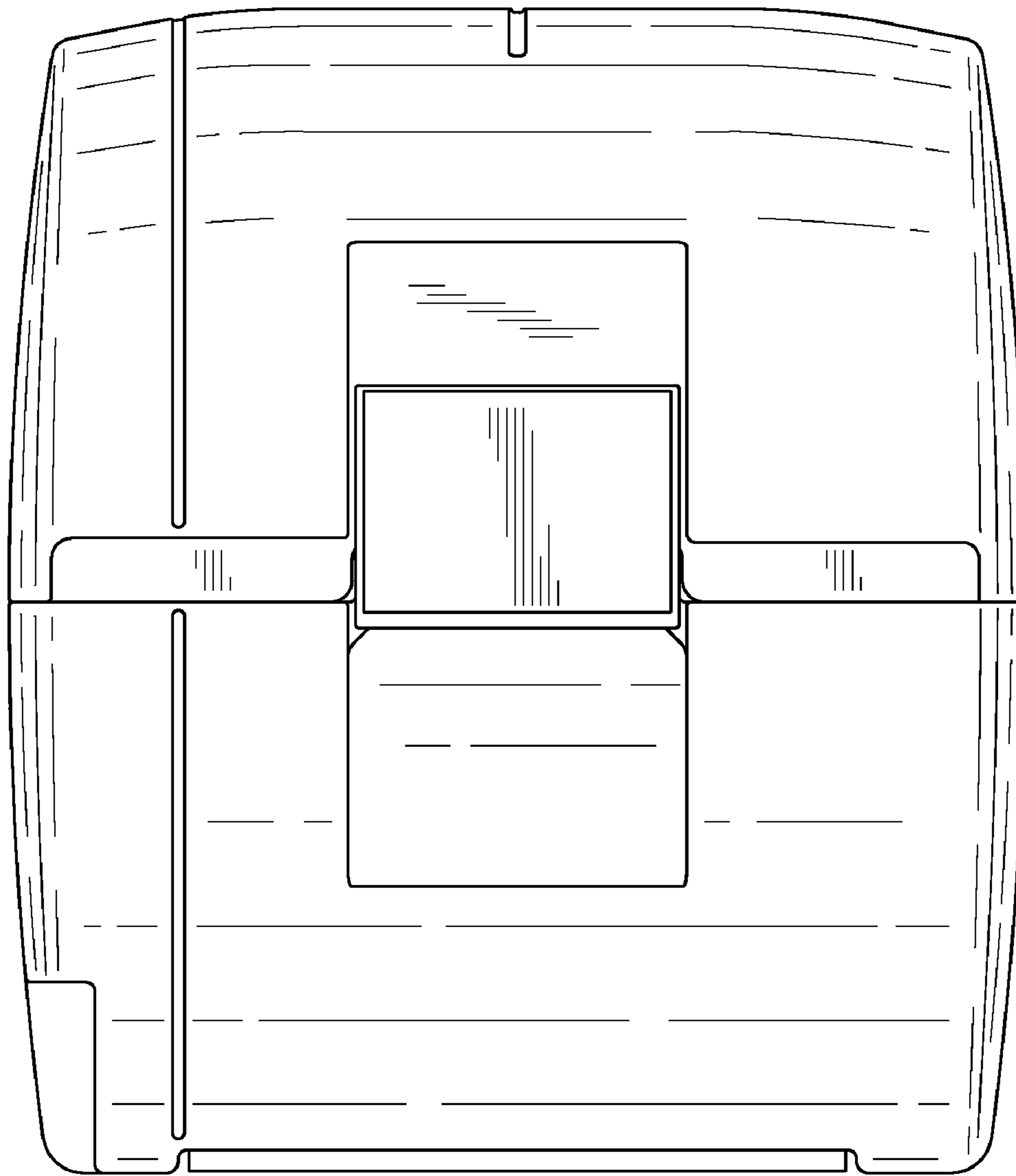




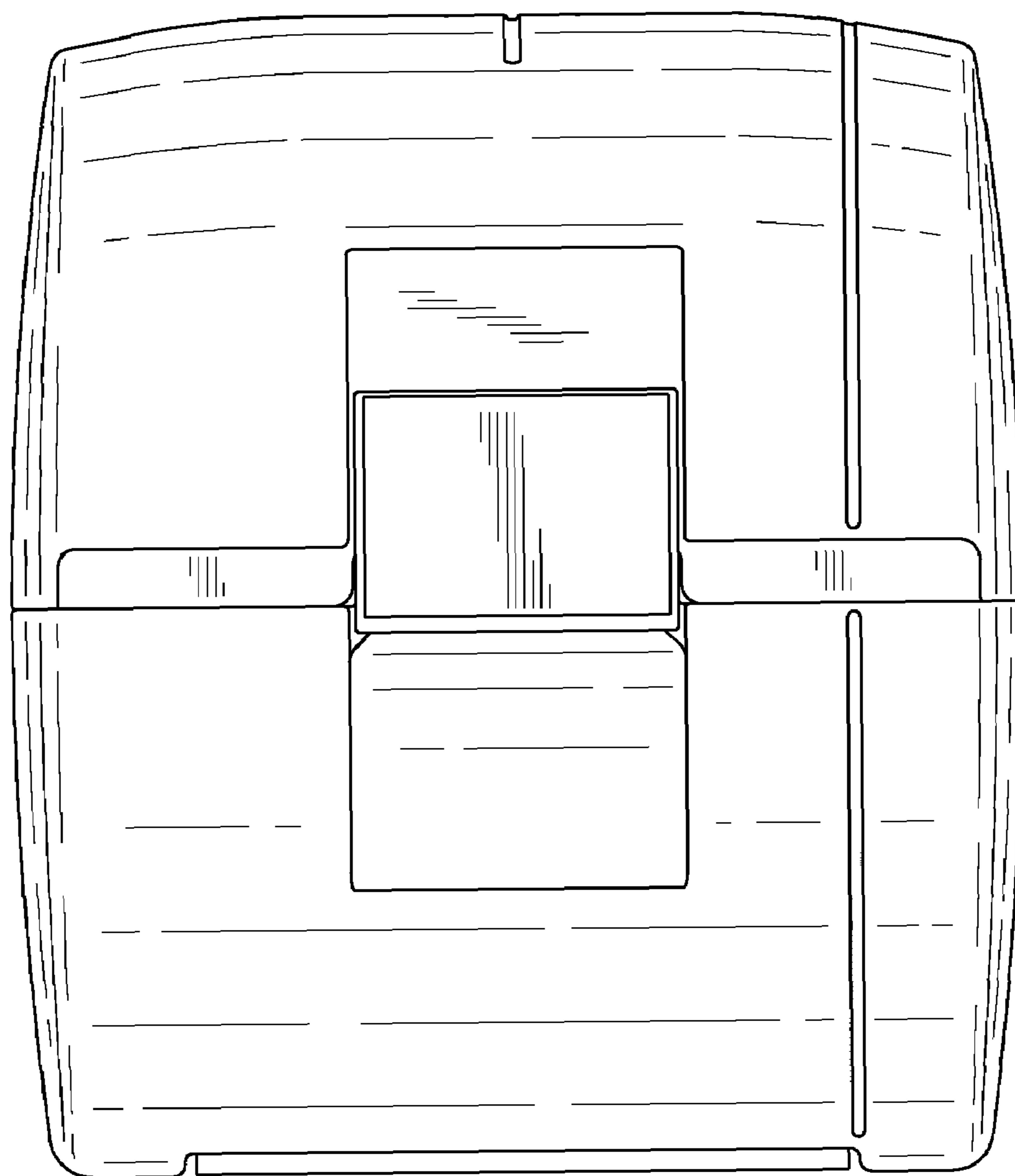
**FIG. 1**



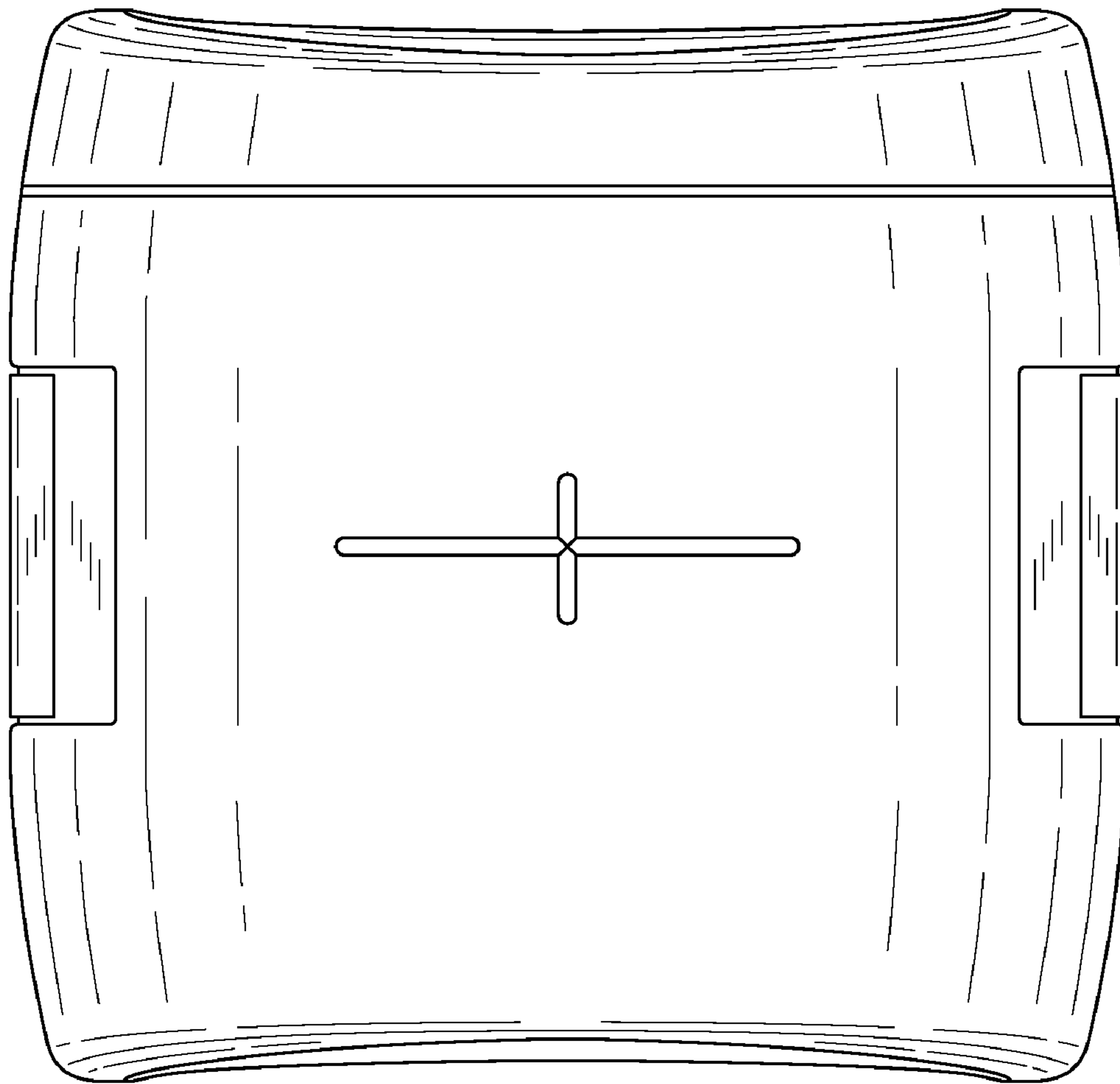
**FIG. 2**



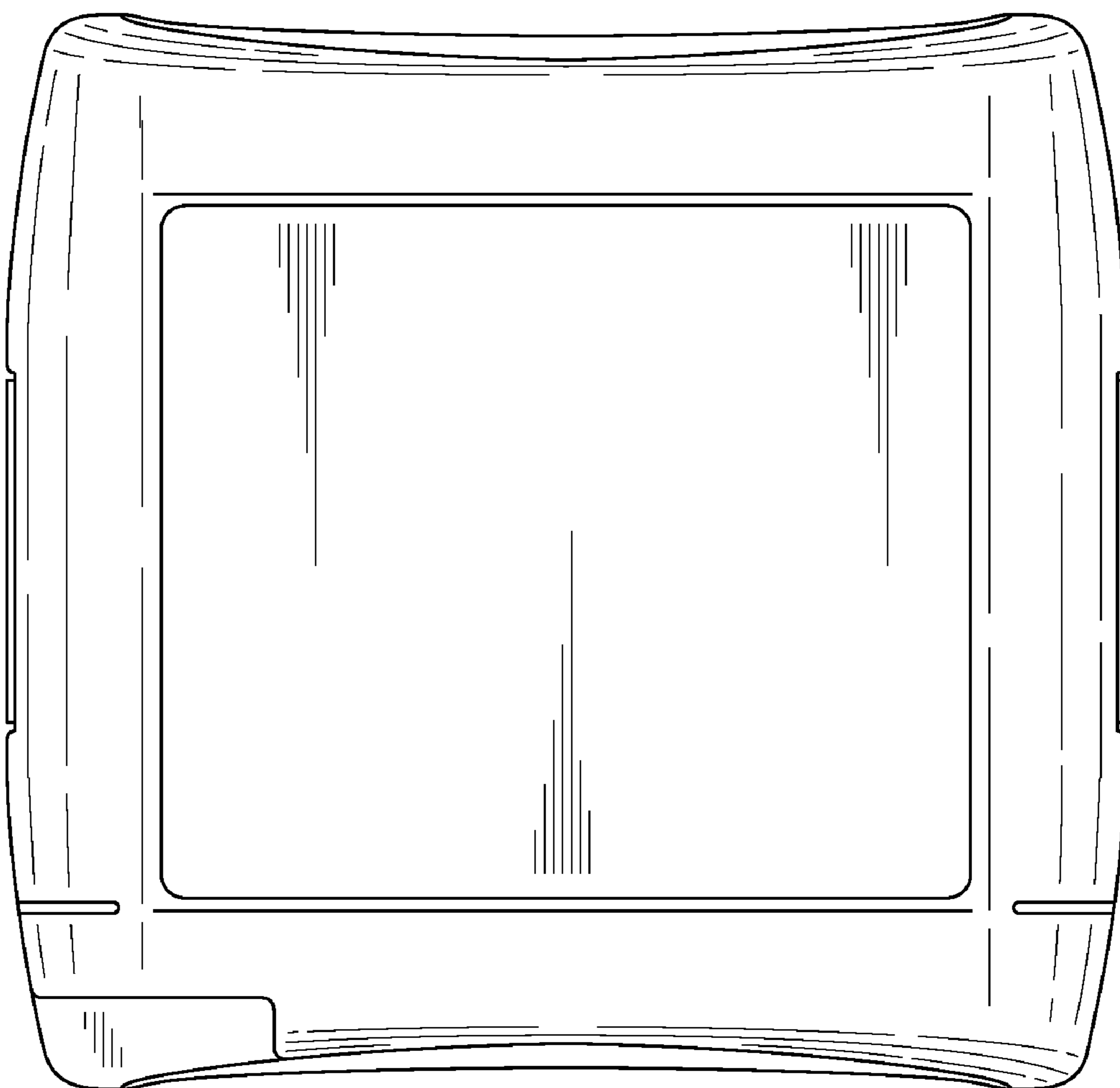
**FIG. 3**



**FIG. 4**

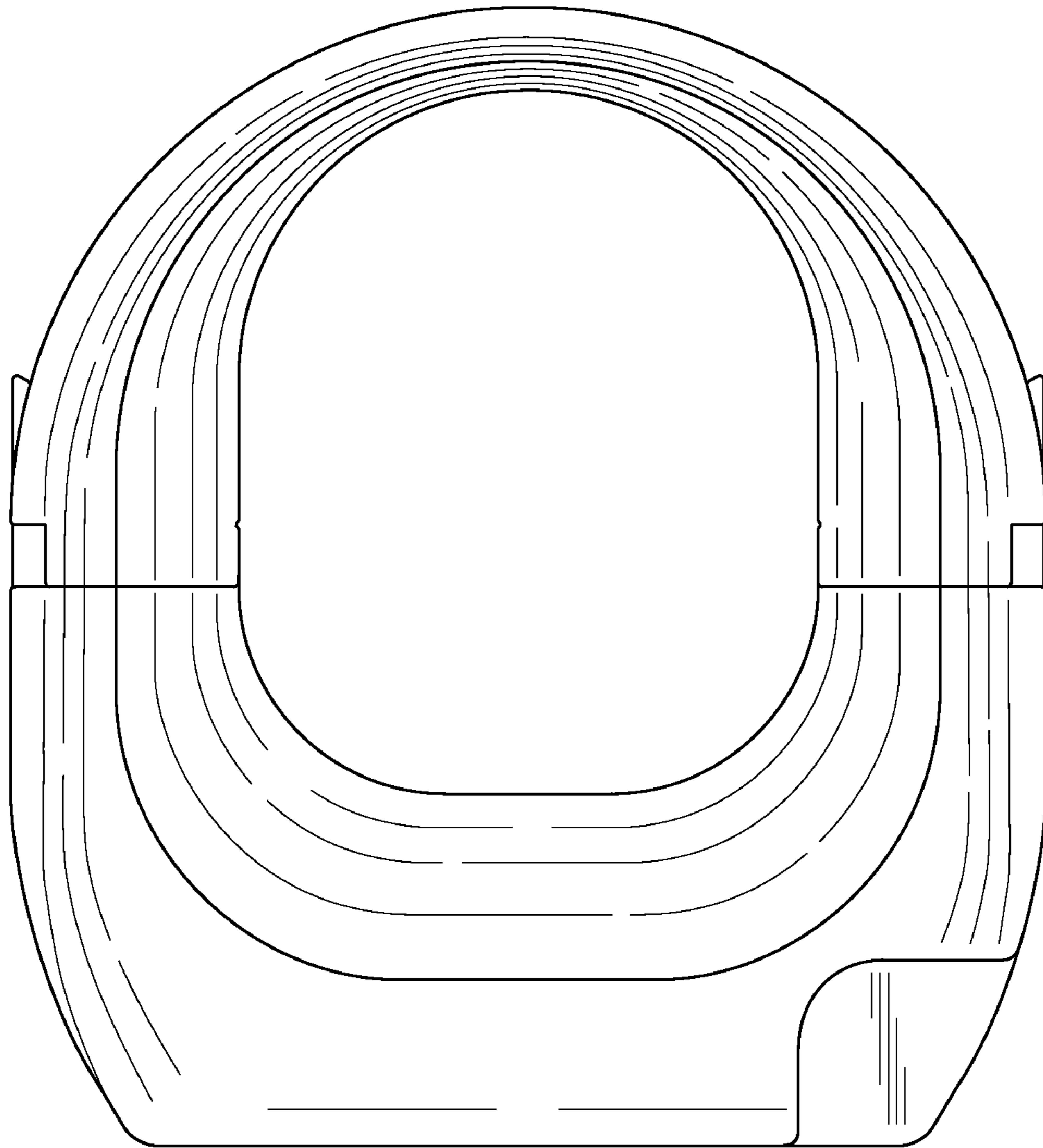


**FIG. 5**



**FIG. 6**





**FIG. 7**