

US00D591861S

(12) **United States Design Patent**
Giordano

(10) **Patent No.:** **US D591,861 S**

(45) **Date of Patent:** **** May 5, 2009**

(54) **BONE SCRAPER**

(75) Inventor: **Alberto Giordano**, Varese (IT)

(73) Assignee: **Physioline S.r.l.**, Varese (IT)

(**) Term: **14 Years**

(21) Appl. No.: **29/295,453**

(22) Filed: **Sep. 28, 2007**

(30) **Foreign Application Priority Data**

Jun. 8, 2007 (EM) 000737366

(51) **LOC (9) Cl.** **24-02**

(52) **U.S. Cl.** **D24/152; D24/144; D24/147**

(58) **Field of Classification Search** D24/133,
D24/144, 152, 146, 147, 107; 606/79, 80,
606/84, 86, 169, 170; D8/47; 433/3, 143,
433/165, 166

See application file for complete search history.

(56) **References Cited**

U.S. PATENT DOCUMENTS

D287,627 S * 1/1987 Leonard D24/147
D290,651 S * 6/1987 Pedone D24/147
D344,801 S * 3/1994 Hughes et al. D24/144
6,790,211 B1 * 9/2004 McPherson et al. 606/84

OTHER PUBLICATIONS

ACE Surgical S L, Madrid, Spain, "Micro-Oss" Bone Scraper, 1 page, 2004.

Alvelogro, Snoqualmie, WA 98065, USA, "Osseous Bone Scraper, Straight", 1 page, believed to be dated before Sep. 28, 2007.

Alvelogro, Snoqualmie, WA 98065, USA, "Osseous Bone Scraper, Angled", 1 page, believed to be dated before Sep. 28, 2007.

ACE Surgical S L, Madrid, Spain, "Micro-Oss" Bone Scraper, 1 page, 2004.

(Continued)

Primary Examiner—Ian Simmons

Assistant Examiner—Carissa C Fitts

(74) *Attorney, Agent, or Firm*—Pearne & Gordon LLP

(57) **CLAIM**

The ornamental design for a bone scraper, as shown and described.

DESCRIPTION

FIG. 1 is a top plan view of a first embodiment of a bone scraper, showing my new design;

FIG. 2 is a back view thereof;

FIG. 3 is a front view thereof;

FIG. 4 is a bottom plan view thereof;

FIG. 5 is a left end view thereof; and

FIG. 6 is a right end view thereof.

FIG. 7 is a top plan view of a second embodiment of a bone scraper, showing my new design;

FIG. 8 is a back view thereof;

FIG. 9 is a front view thereof;

FIG. 10 is a bottom plan view thereof;

FIG. 11 is a left end view thereof; and

FIG. 12 is a right end view thereof.

FIG. 13 is a top plan view of a third embodiment of a bone scraper, showing my new design;

FIG. 14 is a back view thereof;

FIG. 15 is a front view thereof;

FIG. 16 is a bottom plan view thereof;

FIG. 17 is a left end view thereof; and

FIG. 18 is a right end view thereof.

FIG. 19 is a top plan view of a fourth embodiment of a bone scraper, showing my new design;

FIG. 20 is a back view thereof;

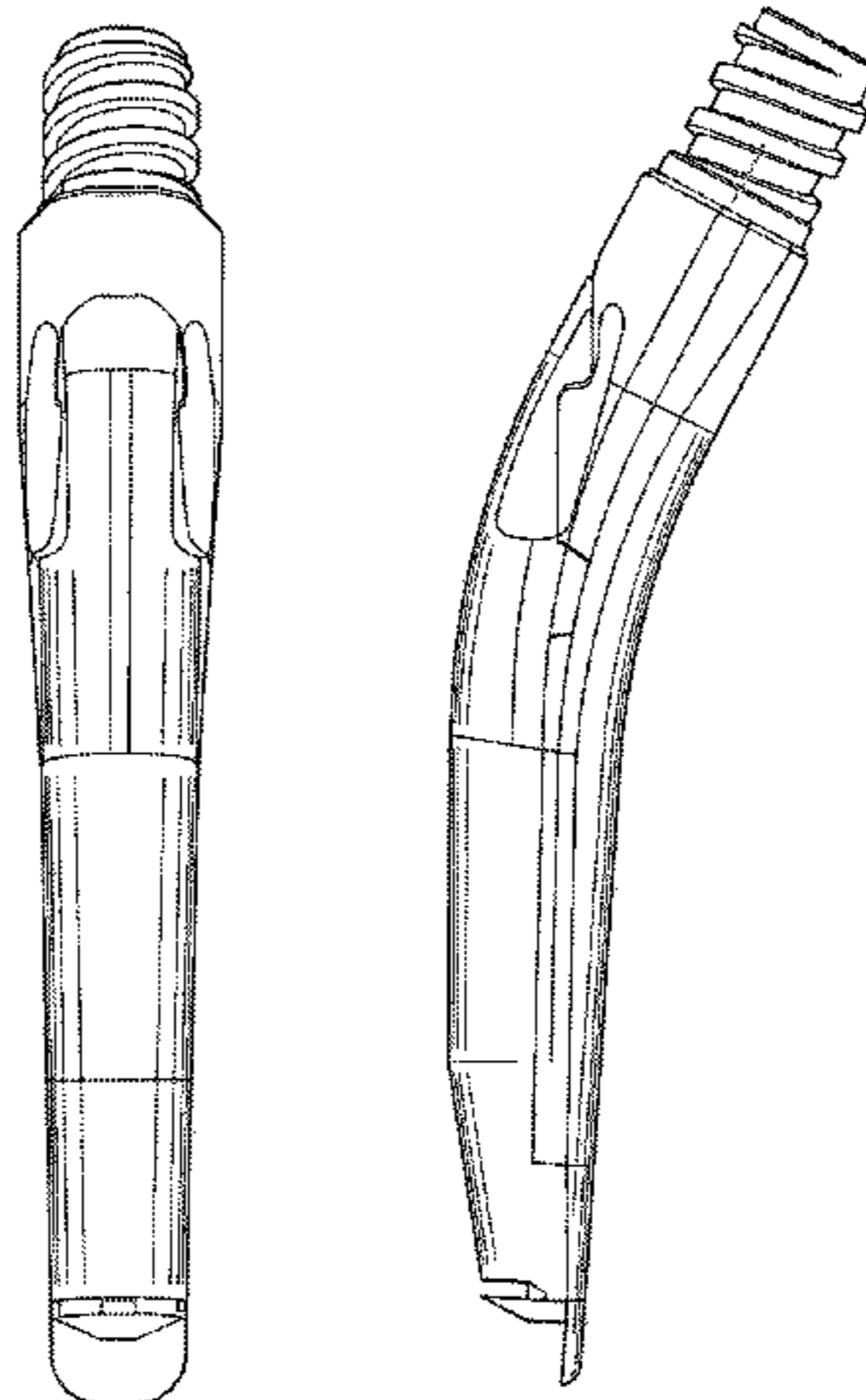
FIG. 21 is a front view thereof;

FIG. 22 is a bottom plan view thereof;

FIG. 23 is a left end view thereof; and,

FIG. 24 is a right end view thereof.

1 Claim, 24 Drawing Sheets



OTHER PUBLICATIONS

C. G. M. S.P.A., Reggio Emilia, Italy, "Micros" Minimally Invasive Cortical Bone Collector, 2 pages, believed to be dated before Sep. 28, 2007.

C.G.M. S.P.A., Reggio Emilia, Italy, "Safescraper TWIST Cortical Bone Collector", 2 pages, believed to be dated before Sep. 28, 2007.

Alvelogro, Snoqualmie, WA 98065, USA, "Osseous Bone Scraper, Straight", 1 page, believed to be dated before Sep. 28, 2007.

Alvelogro, Snoqualmie, WA 98065, USA, "Osseous Bone Scraper, Angled", 1 page, believed to be dated before Sep. 28, 2007.

* cited by examiner

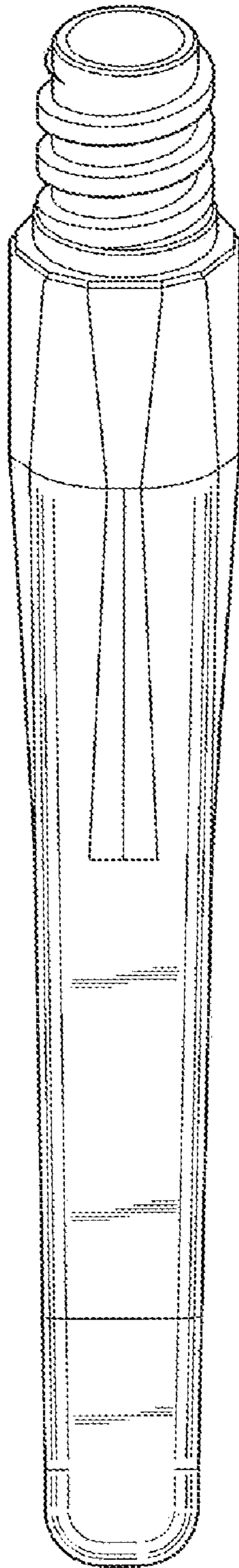


Fig.1

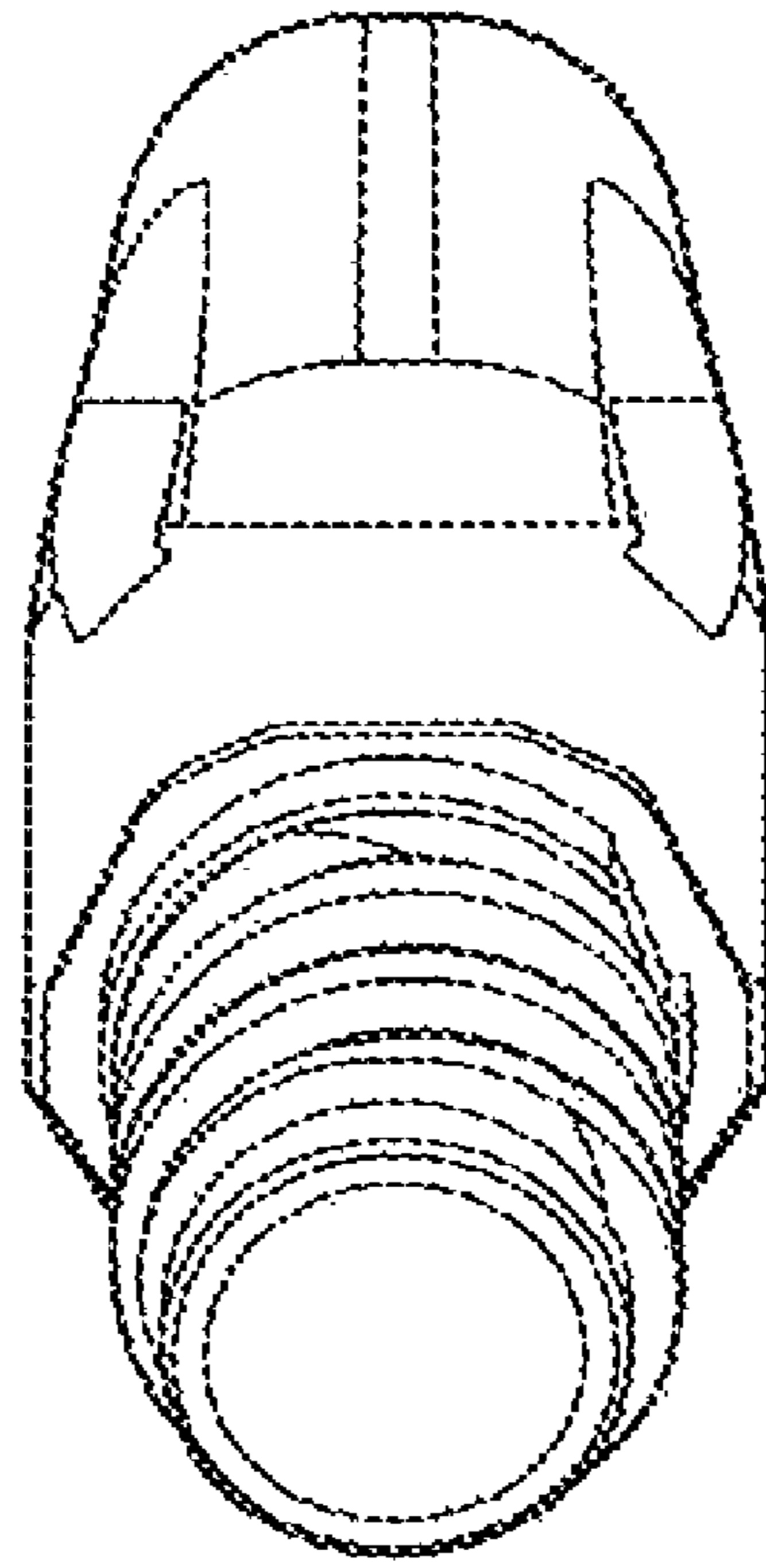


Fig. 2

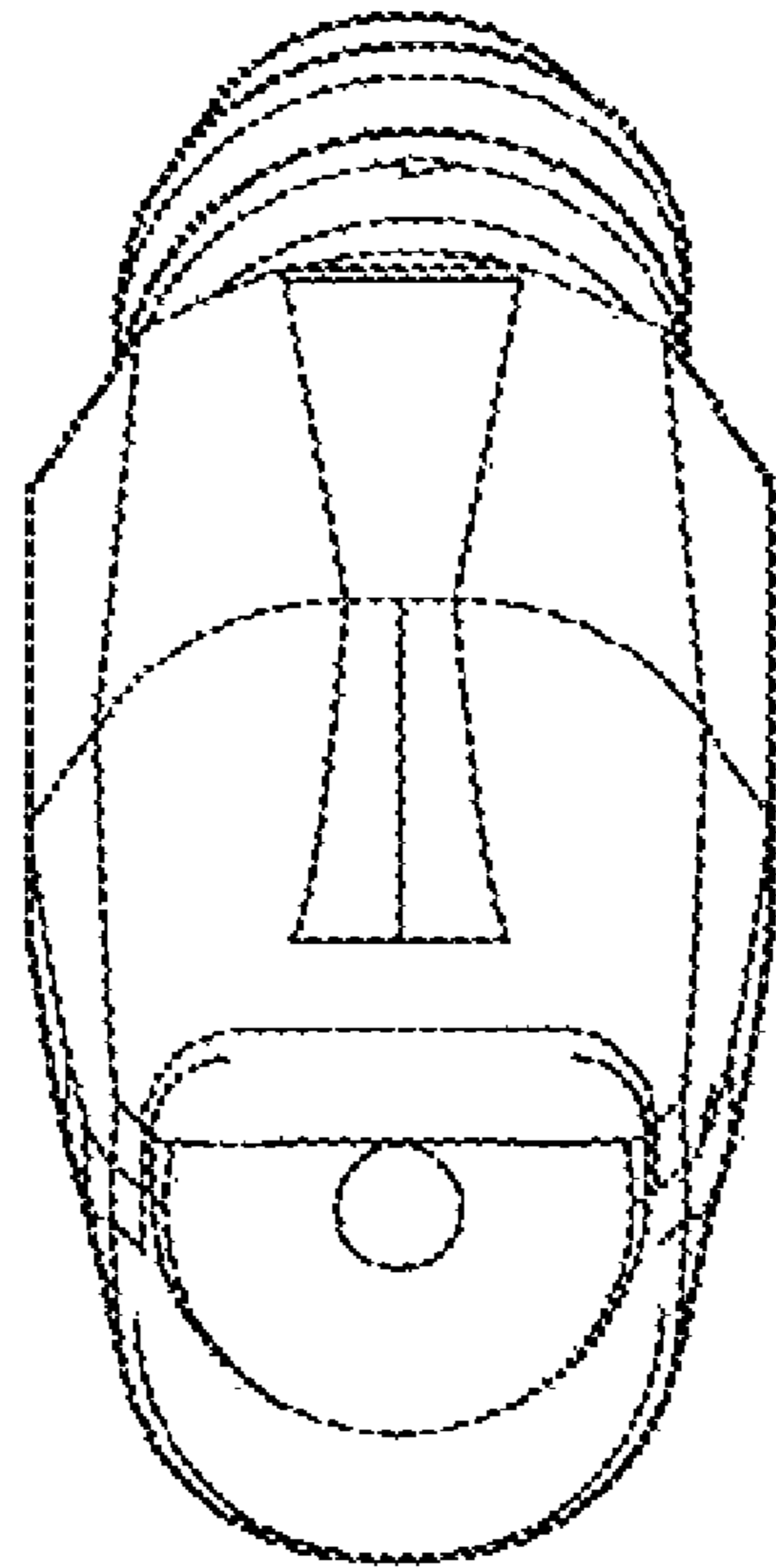


Fig. 3

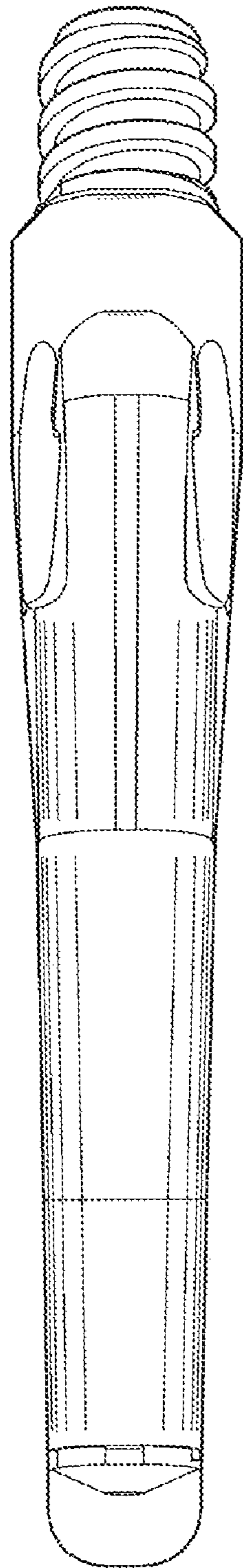


Fig. 4

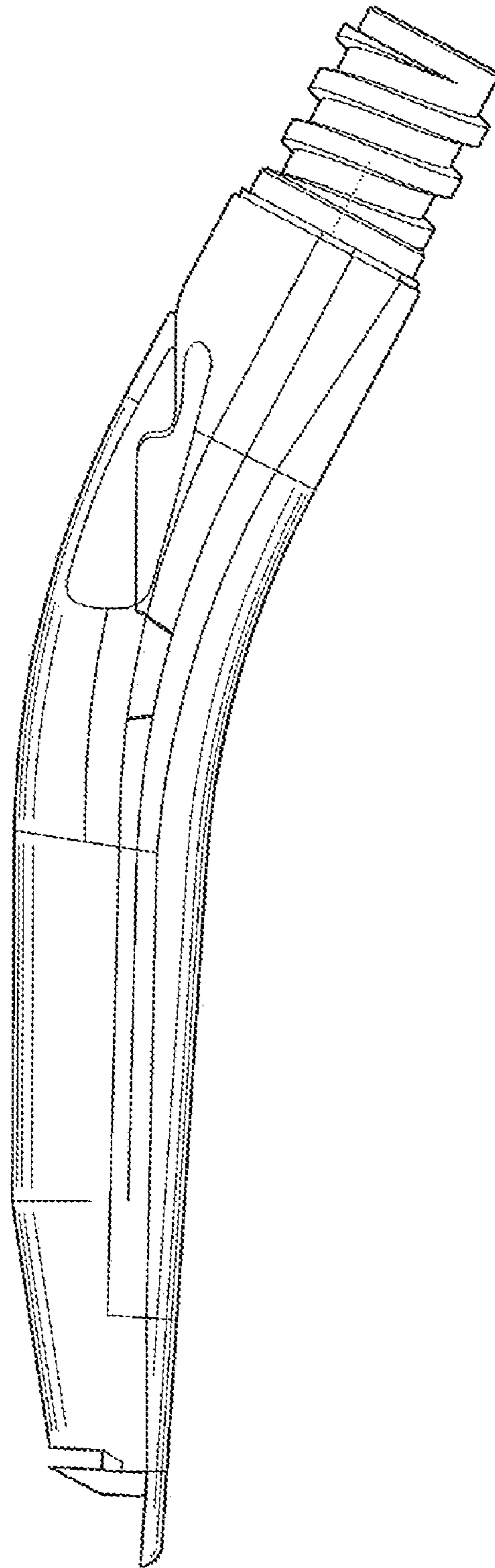


Fig. 5

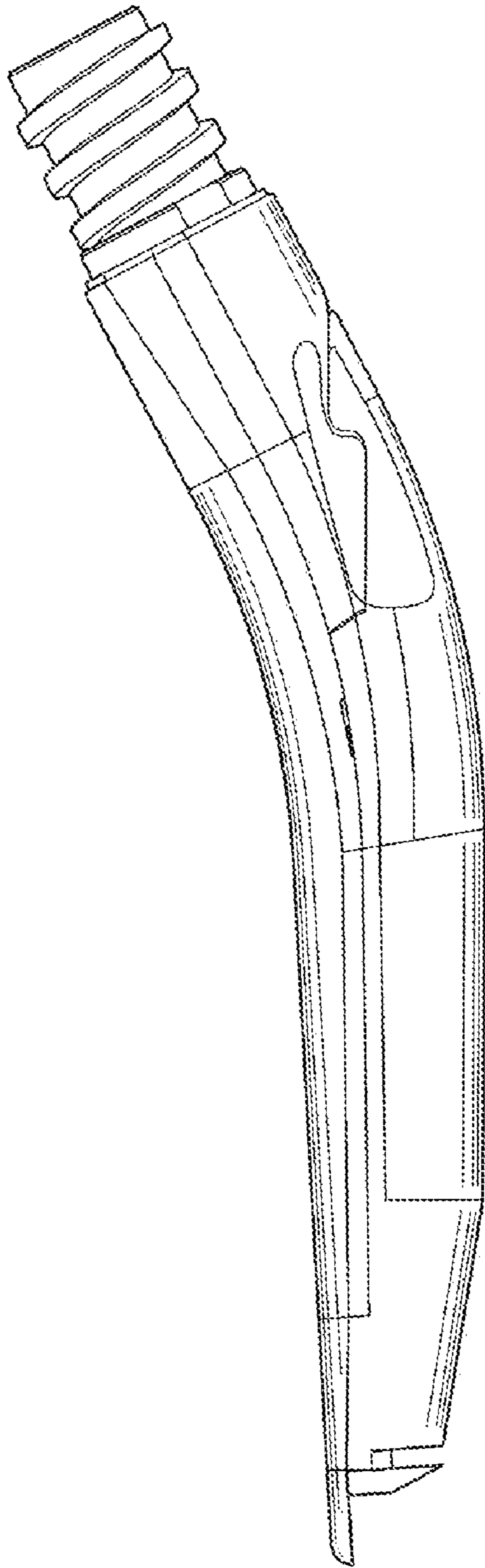


Fig. 6

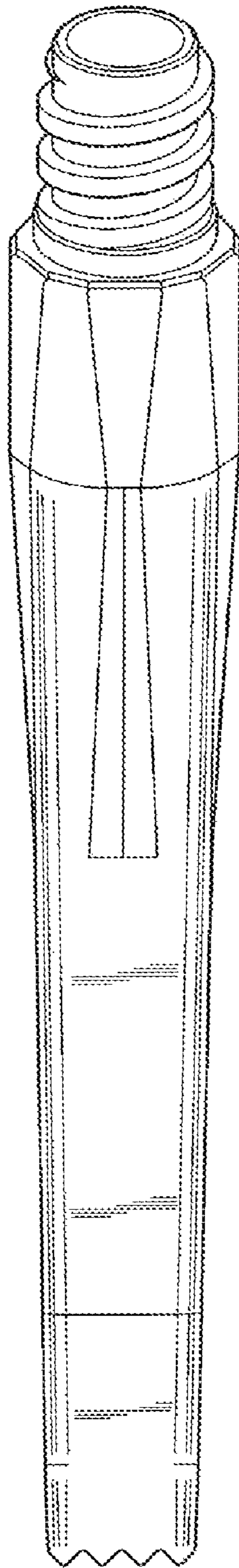


Fig. 7

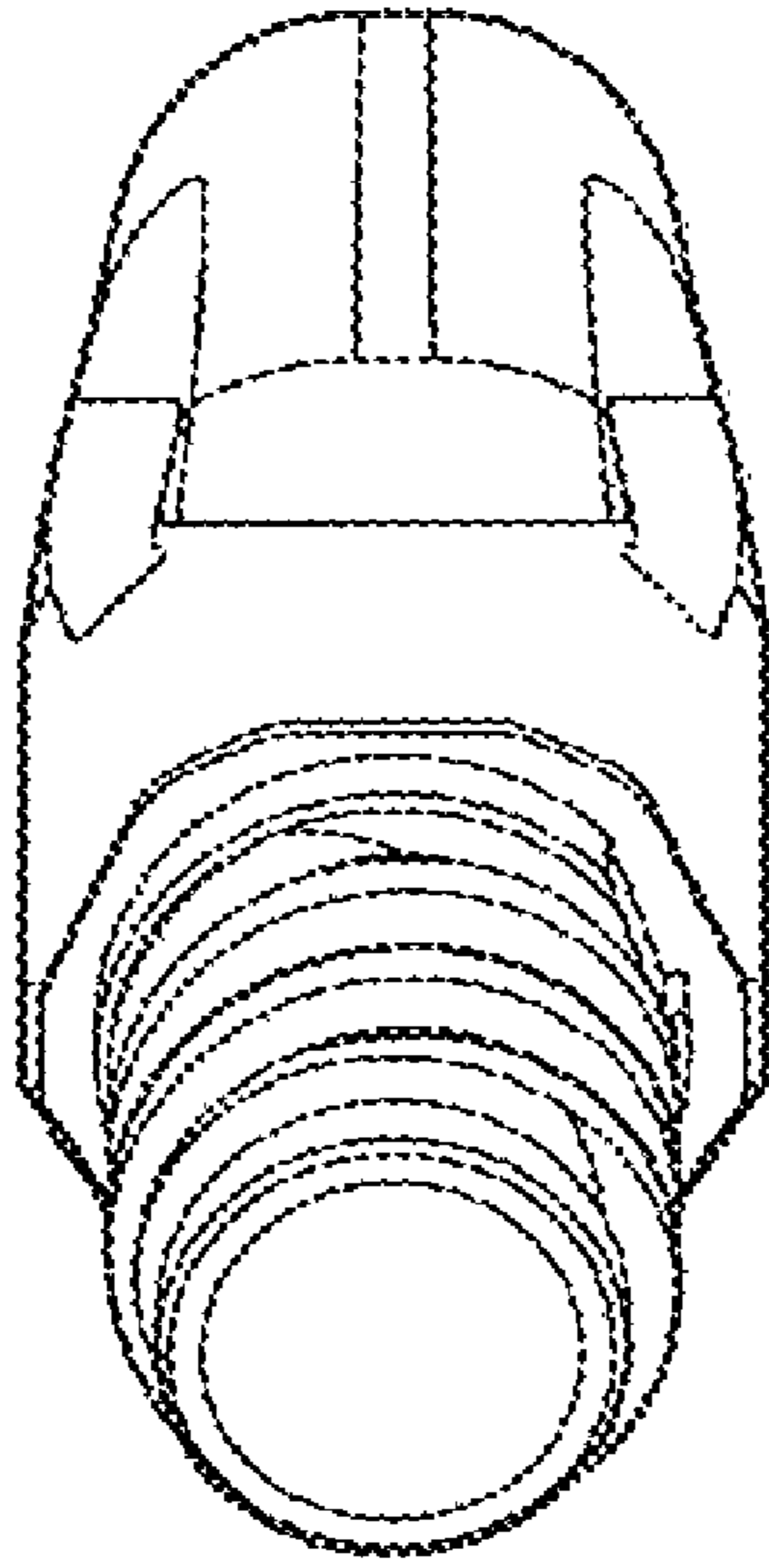


Fig. 8

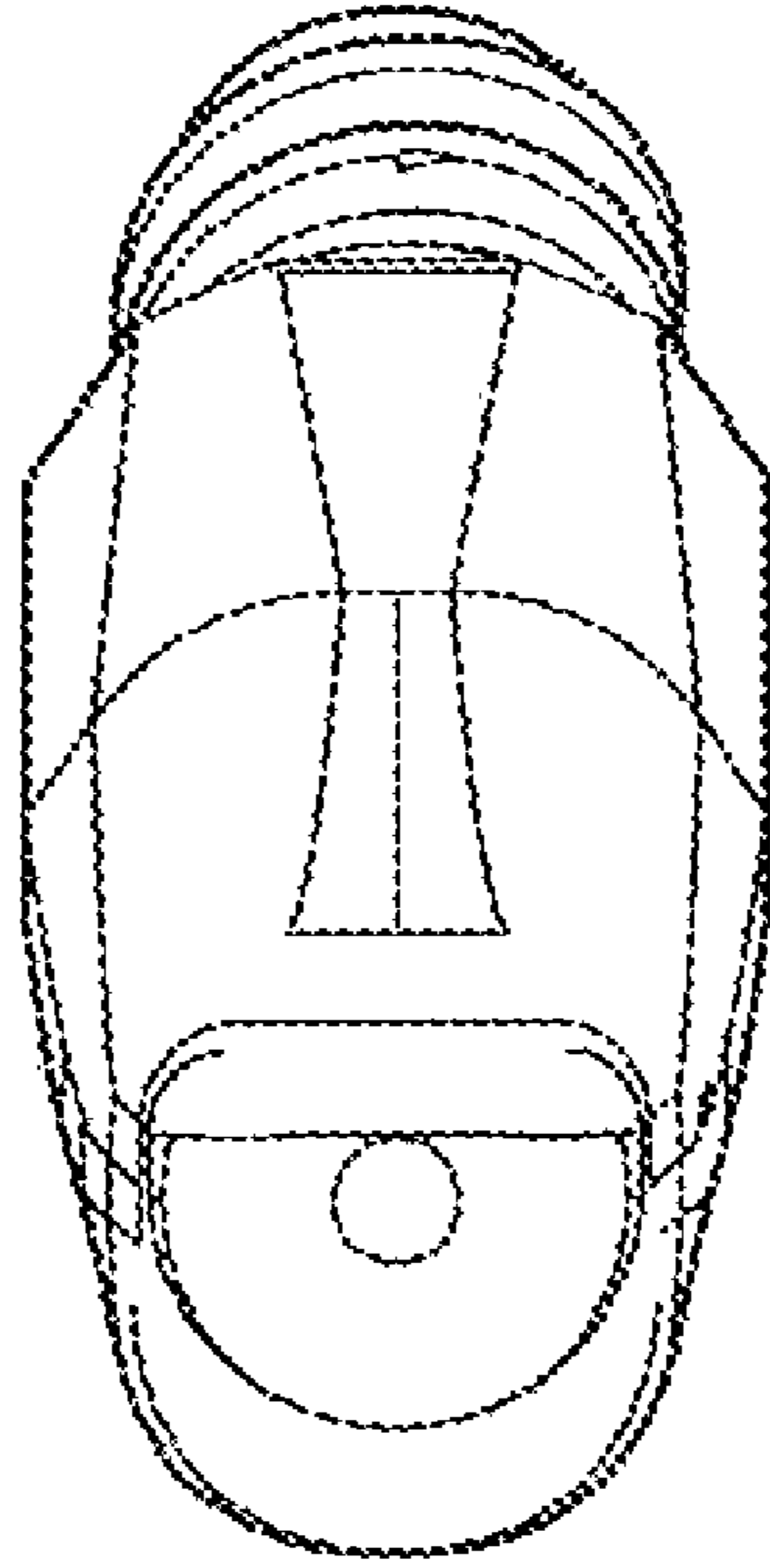


Fig. 9

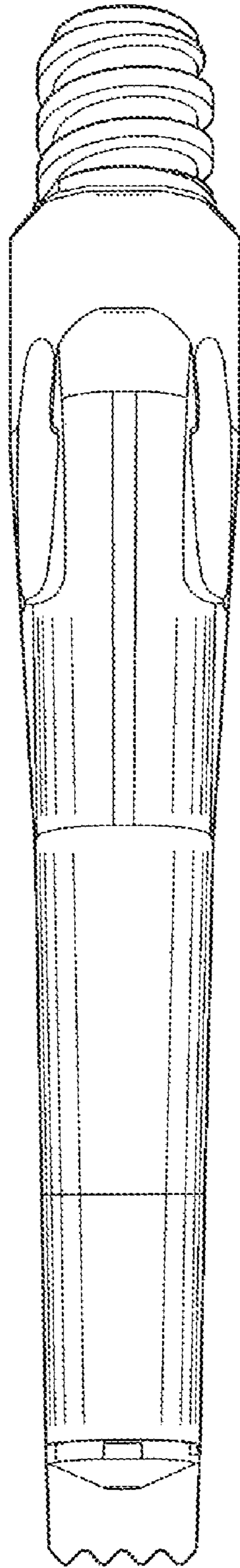


Fig.10

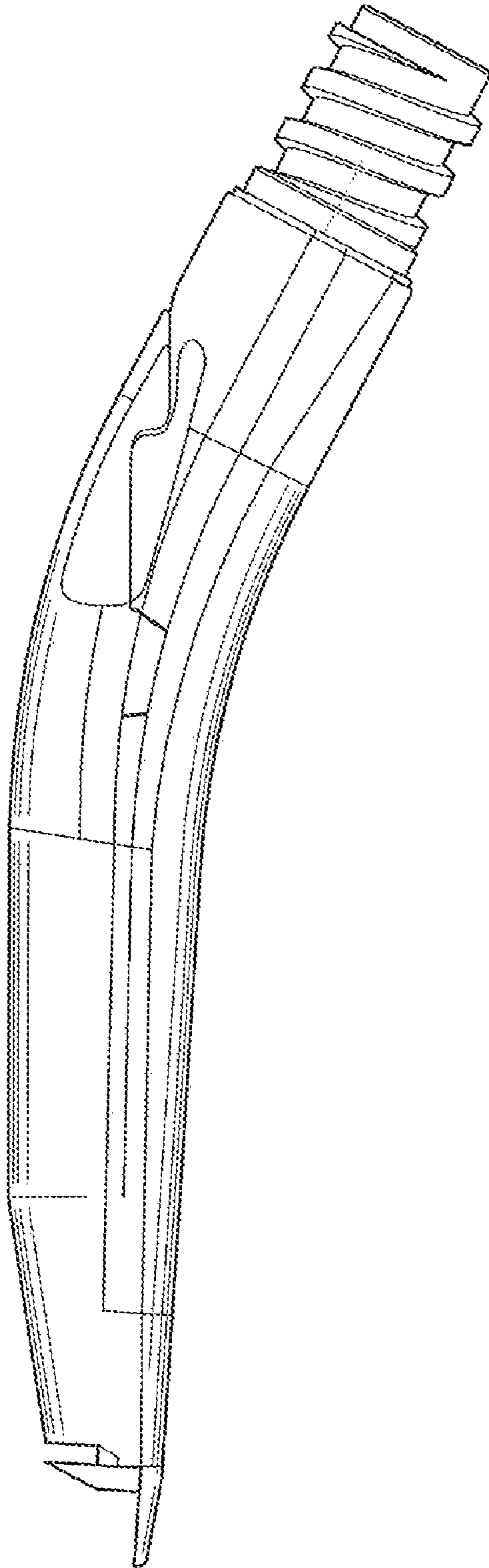


Fig. 11

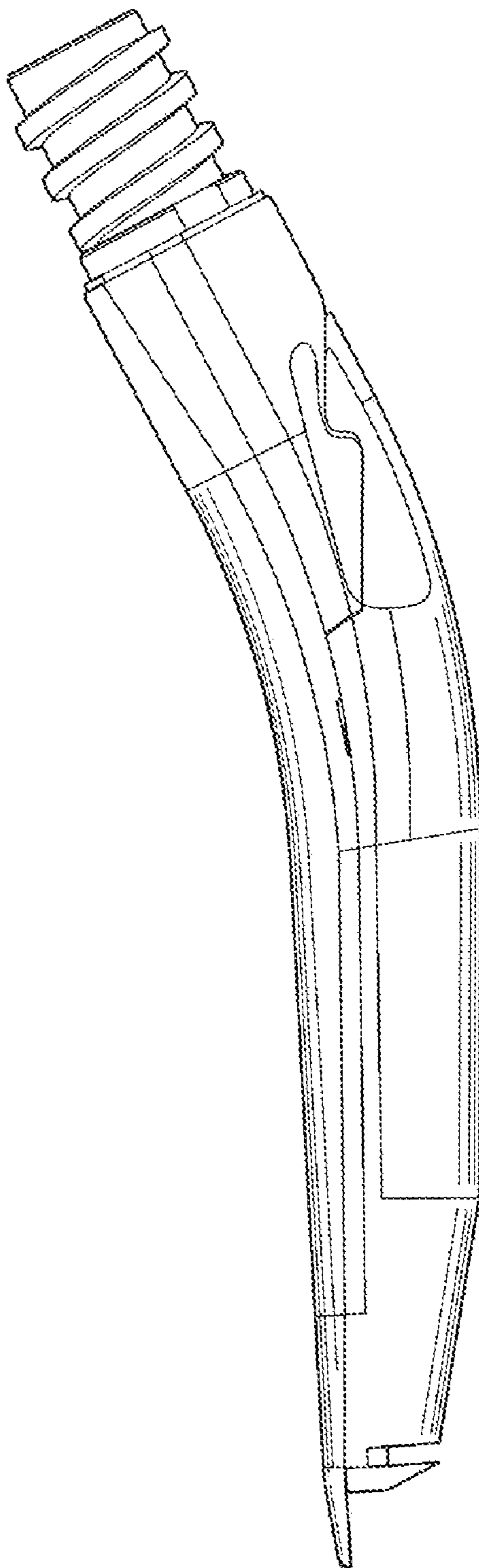


Fig. 12

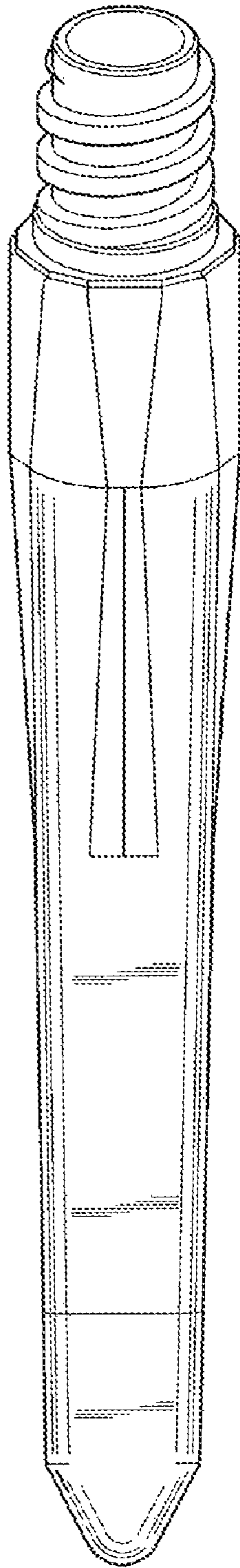


Fig. 13

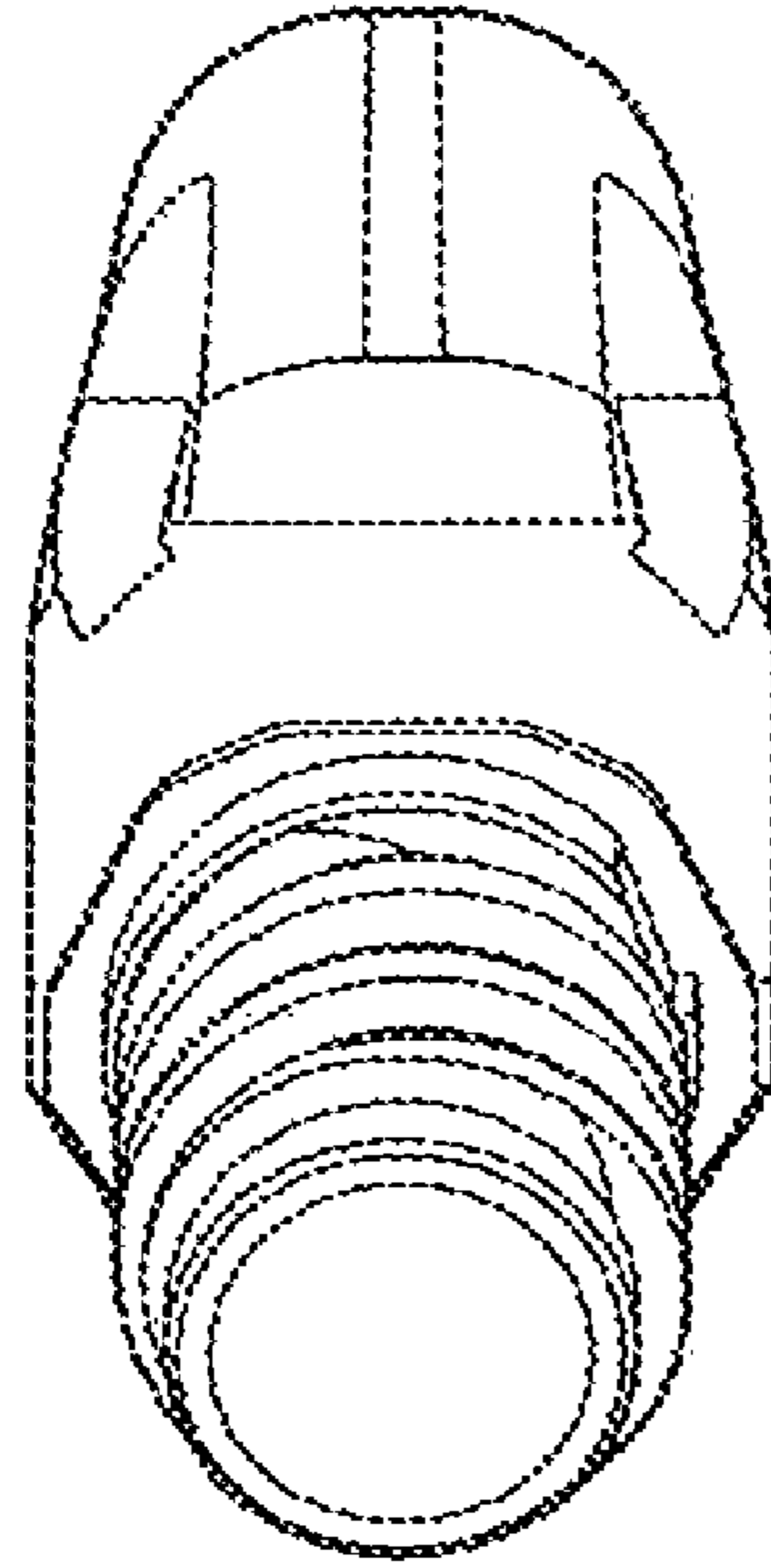


Fig. 14

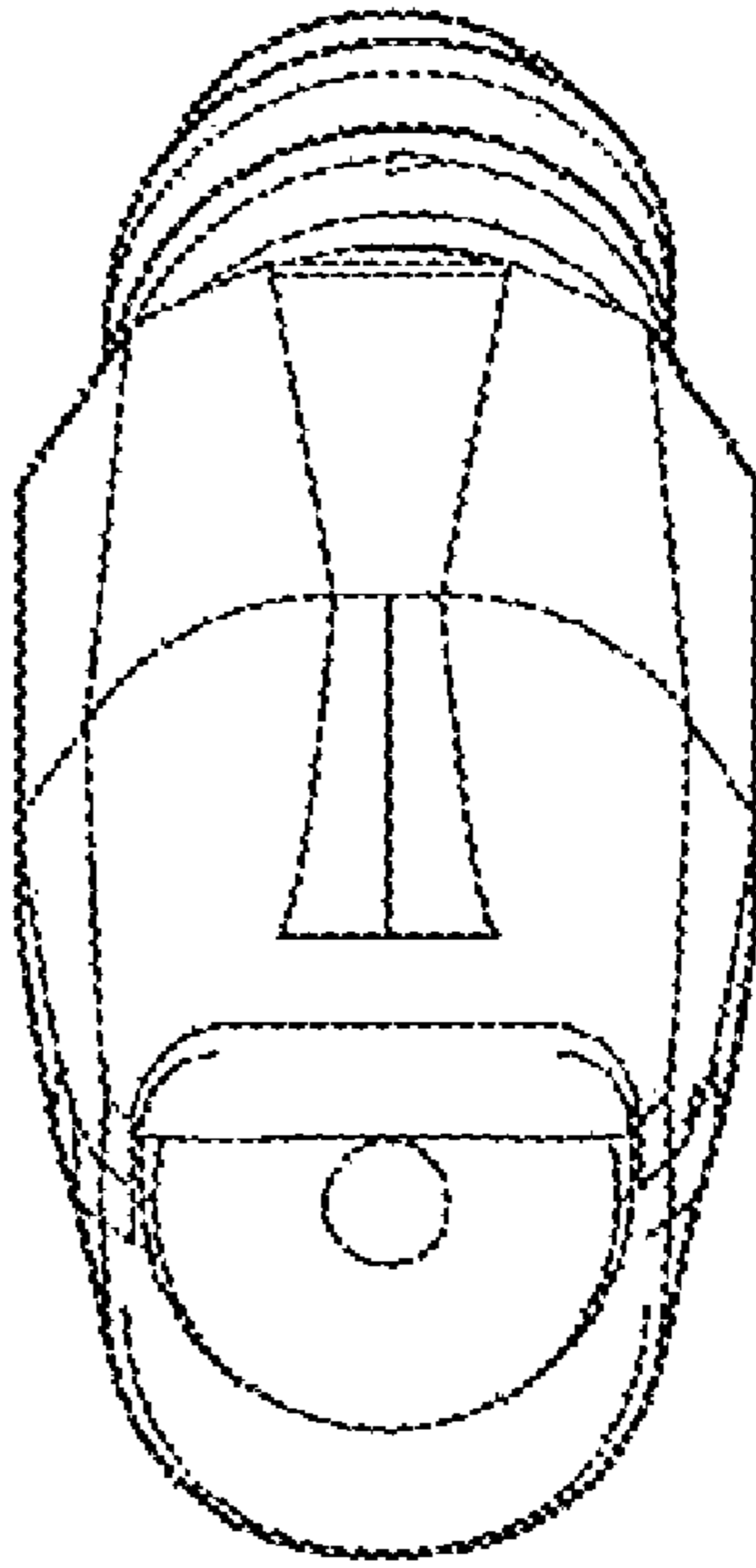


Fig. 15

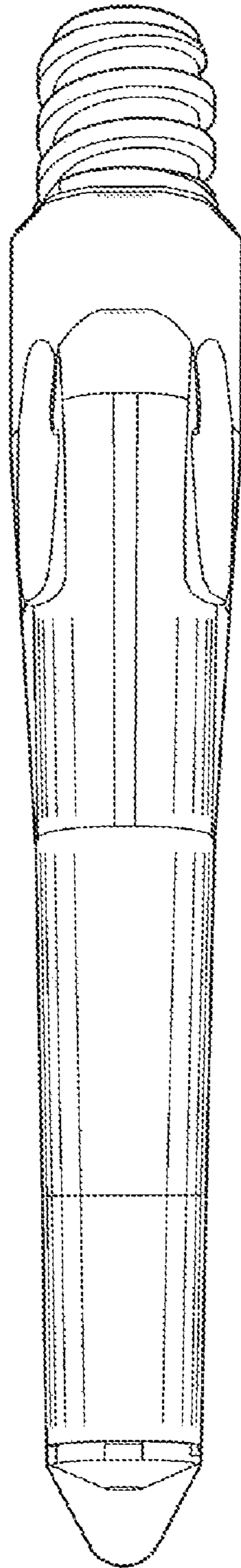


Fig.16

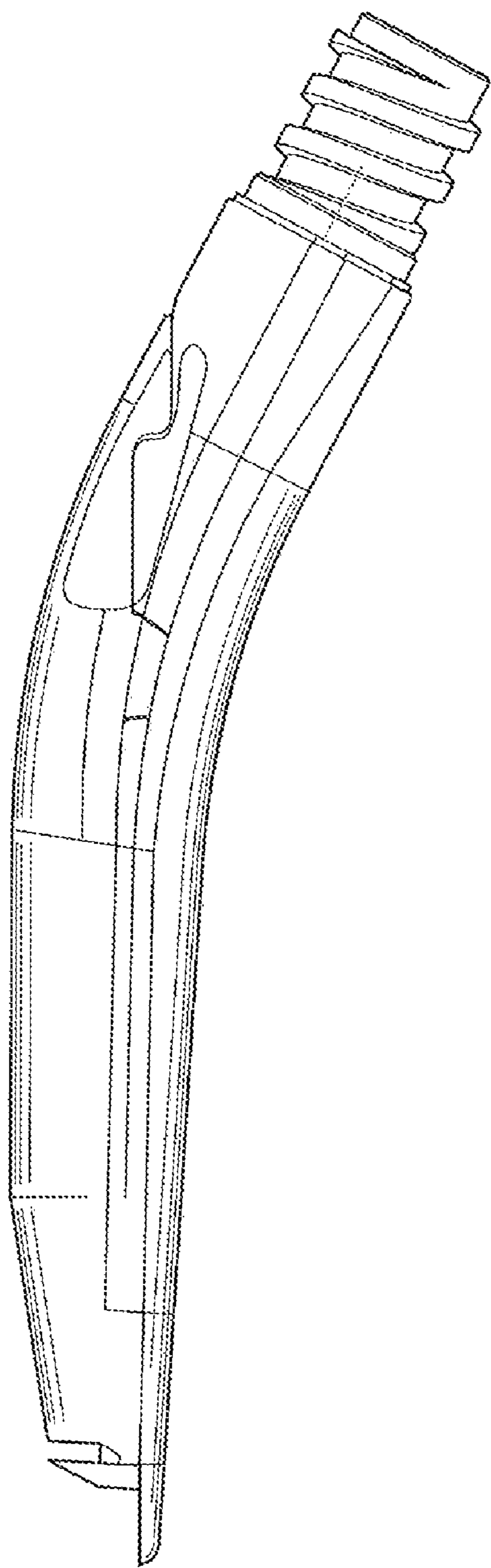


Fig.17

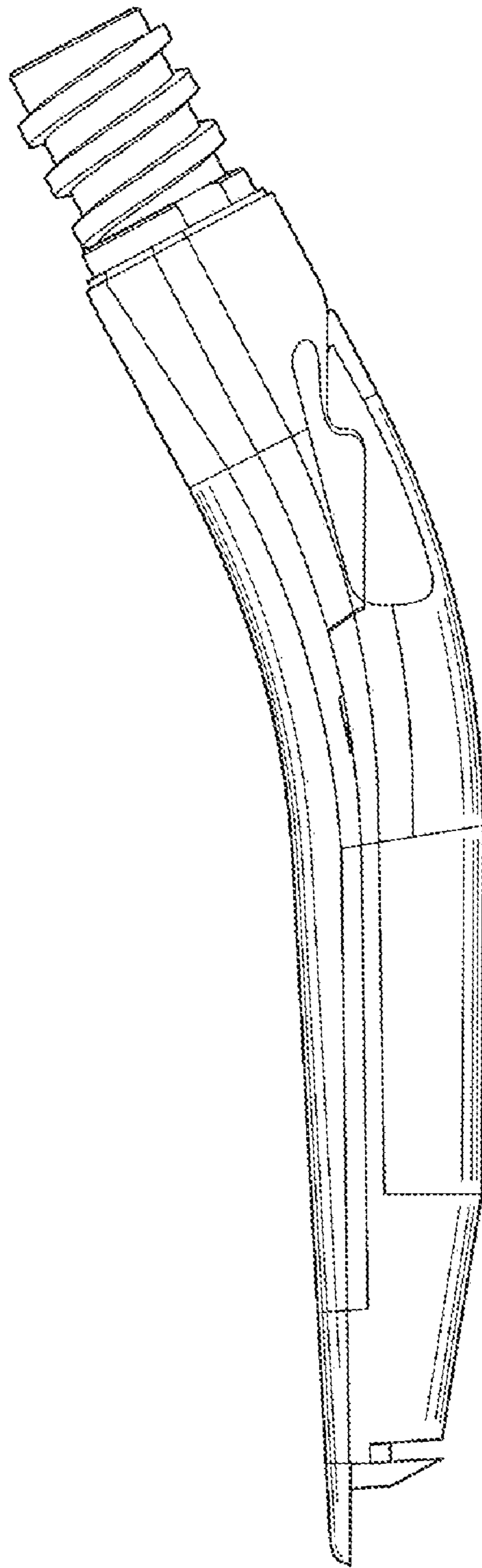


Fig.18

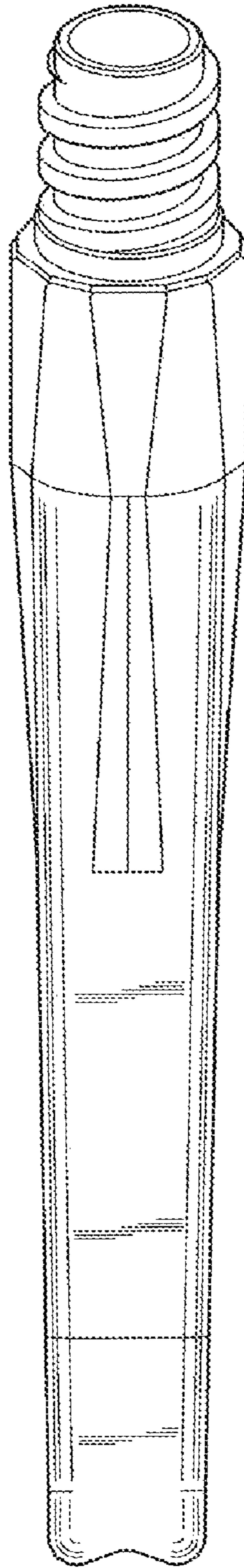


Fig.19

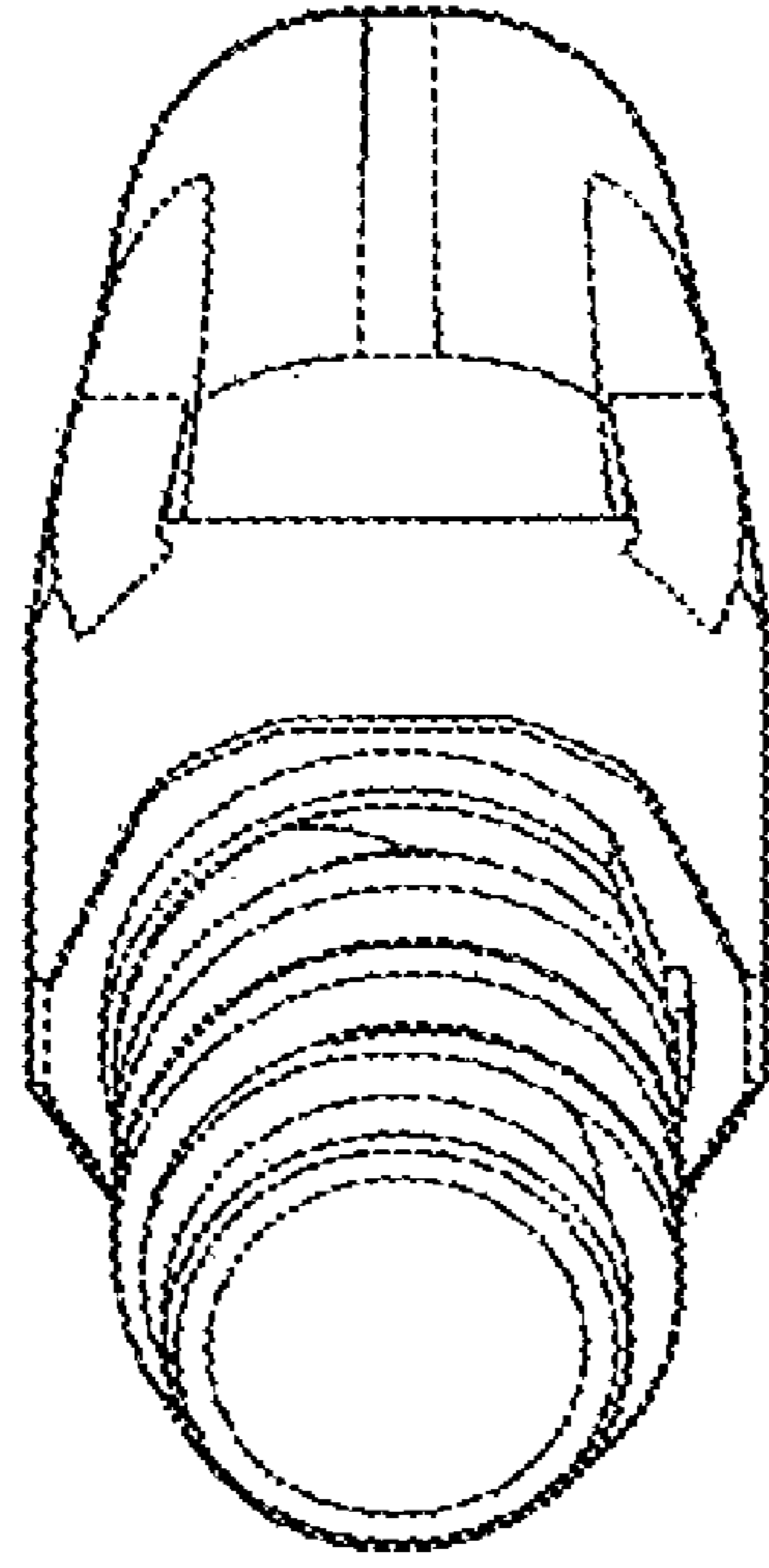


Fig. 20

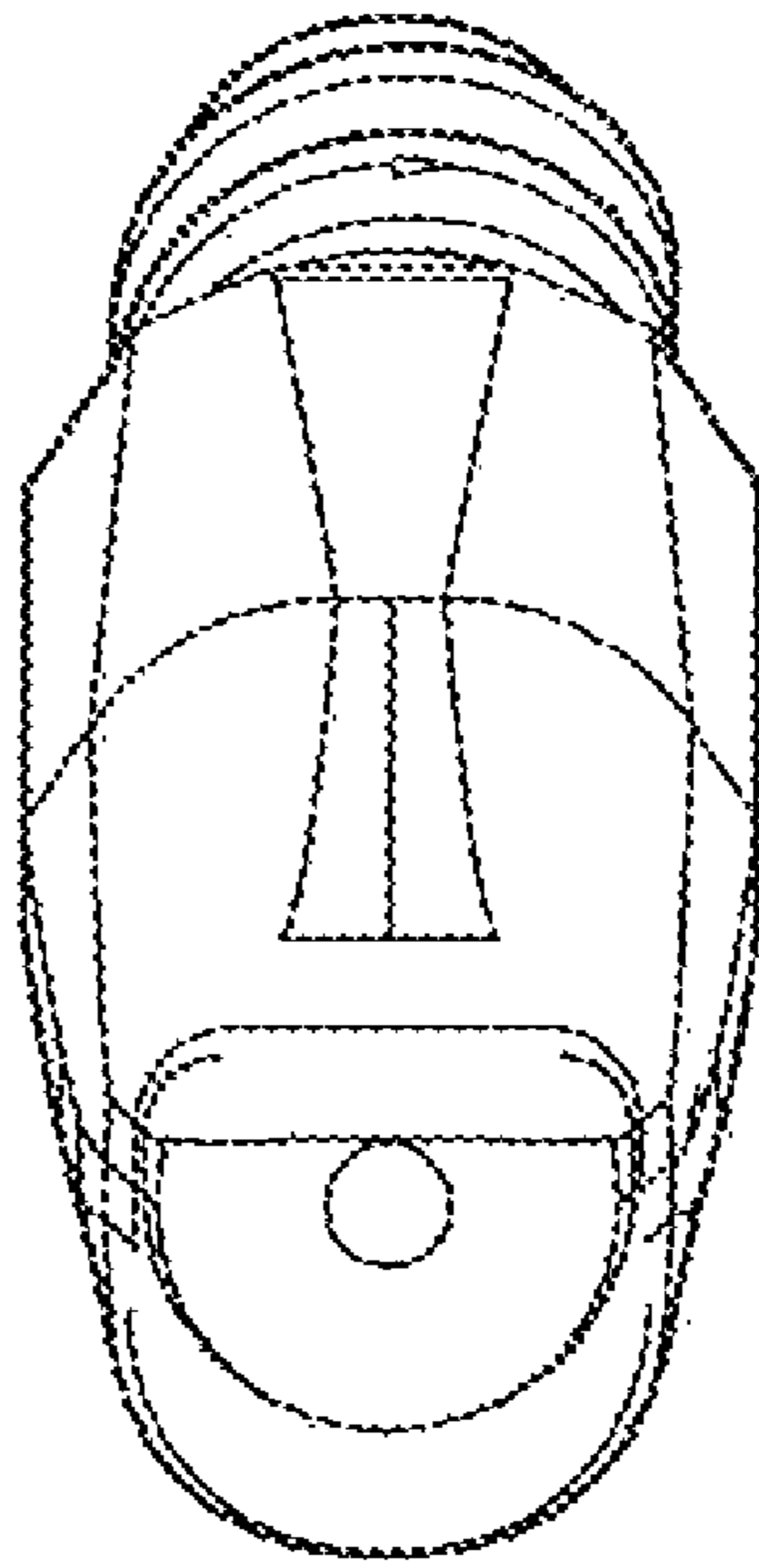


Fig. 21

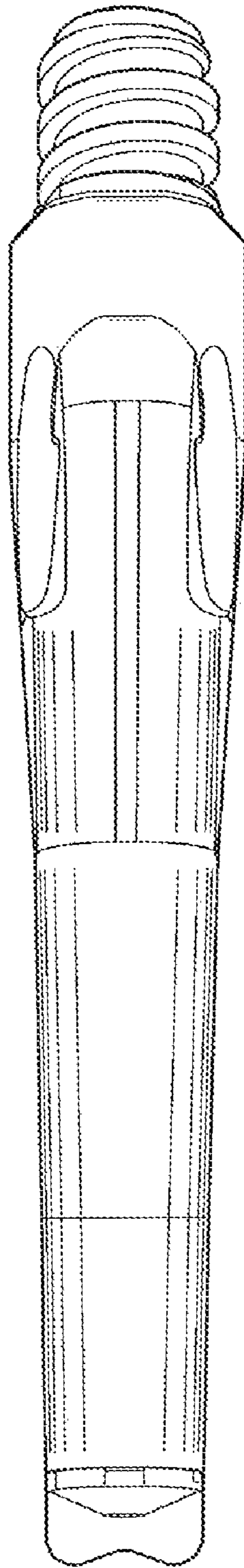


Fig. 22

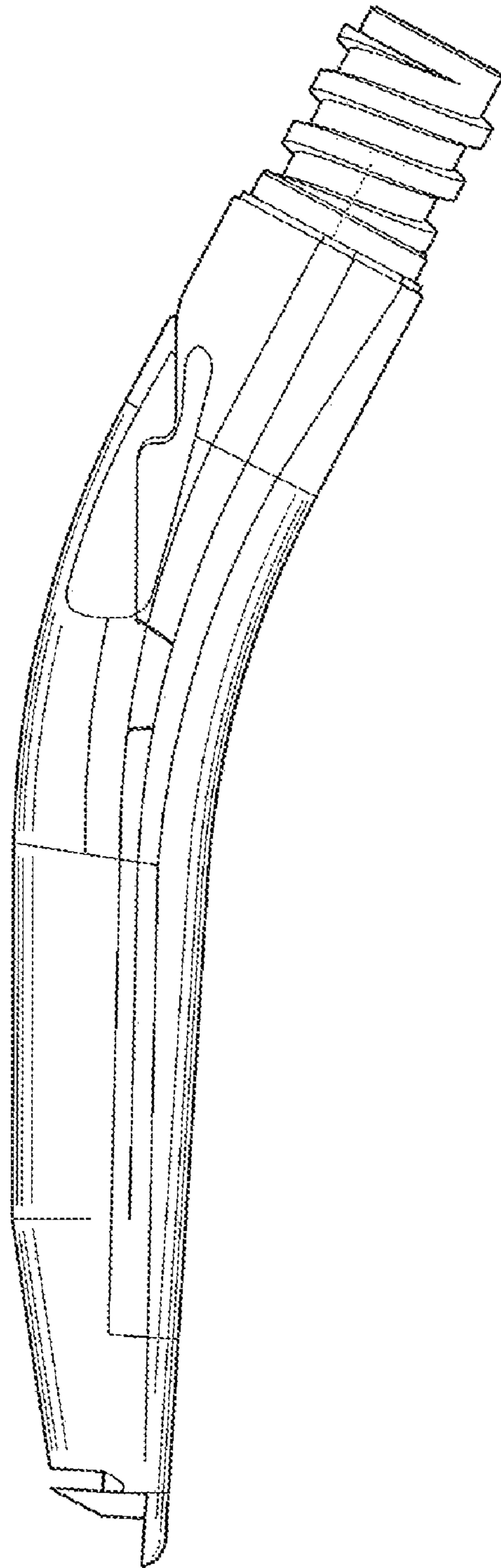


Fig. 23

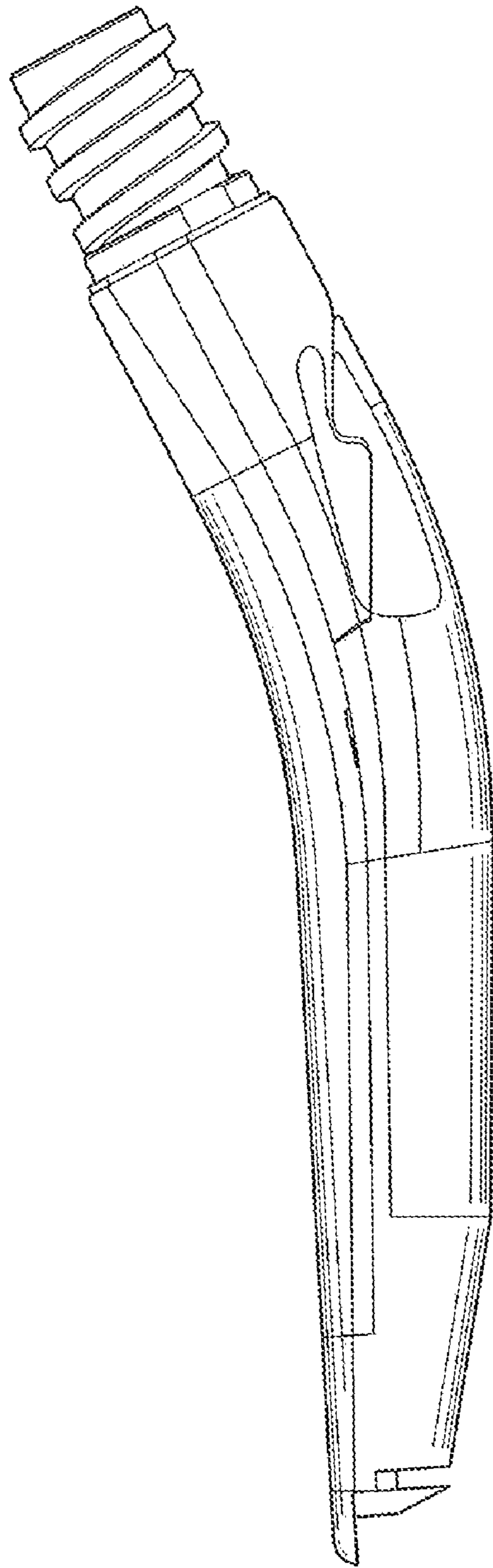


Fig.24