



US00D591859S

(12) **United States Design Patent**  
**Stark et al.**

(10) **Patent No.:** **US D591,859 S**  
(45) **Date of Patent:** **\*\* May 5, 2009**

(54) **MEDICAL WASTE CONTAINER HINGED LID**

EP 1 438 924 A1 7/2004

(75) Inventors: **Kenneth O. Stark**, San Marcos, CA (US); **Thomas J. Standley**, San Diego, CA (US)

**OTHER PUBLICATIONS**

BD Brochure: "BD Sharps Containers: Best Practice for Safe Disposal," 8 pgs.

(73) Assignee: **Becton, Dickinson and Company**, Franklin Lakes, NJ (US)

*Primary Examiner*—T. Chase Nelson  
*Assistant Examiner*—Eric L Goodman  
(74) *Attorney, Agent, or Firm*—Jeanne P. Lukasavage

(\*\*) Term: **14 Years**

(57) **CLAIM**

(21) Appl. No.: **29/322,613**

The ornamental design for a medical waste container hinged lid, as shown and described.

(22) Filed: **Aug. 7, 2008**

(51) **LOC (9) Cl.** ..... **24-02**

**DESCRIPTION**

(52) **U.S. Cl.** ..... **D24/131**

(58) **Field of Classification Search** ..... D24/131;  
D9/424, 423; D34/1, 7, 10–11; 206/365–367,  
206/369–370; 220/254, 408, 411, 768–769,  
220/908

FIG. 1 is a perspective view of a medical waste container hinged lid in a fully open position, showing the top side of the cap part in the foreground and the underside of the closure part in the background;

See application file for complete search history.

FIG. 2 is a perspective view of a medical waste container hinged lid in a fully open position, showing the top side of the cap part in the background and the underside of the closure part in the foreground;

(56) **References Cited**

**U.S. PATENT DOCUMENTS**

4,158,902 A	6/1979	Chernack et al.	
4,375,849 A	3/1983	Hanifl	
4,502,606 A	3/1985	Shillington et al.	
D282,722 S *	2/1986	Lott	D24/131
4,600,112 A	7/1986	Shillington et al.	
4,778,071 A	10/1988	Fillmore	
4,816,307 A	3/1989	Honeycutt	
4,984,686 A	1/1991	Shillington	
5,024,327 A	6/1991	Shillington	

FIG. 3 is a perspective view of a medical waste container hinged lid in a fully open position, showing the underside of the closure part in the foreground and the top side of the cap part in the background;

FIG. 4 is a perspective view of a medical waste container hinged lid in a fully open position, showing the underside of the cap part in the foreground and the top side of the closure part in the background;

FIG. 5 is a top perspective view of a medical waste container hinged lid in a fully open position, showing the underside of the closure part on the left and the top side of the cap part on the right; and,

(Continued)

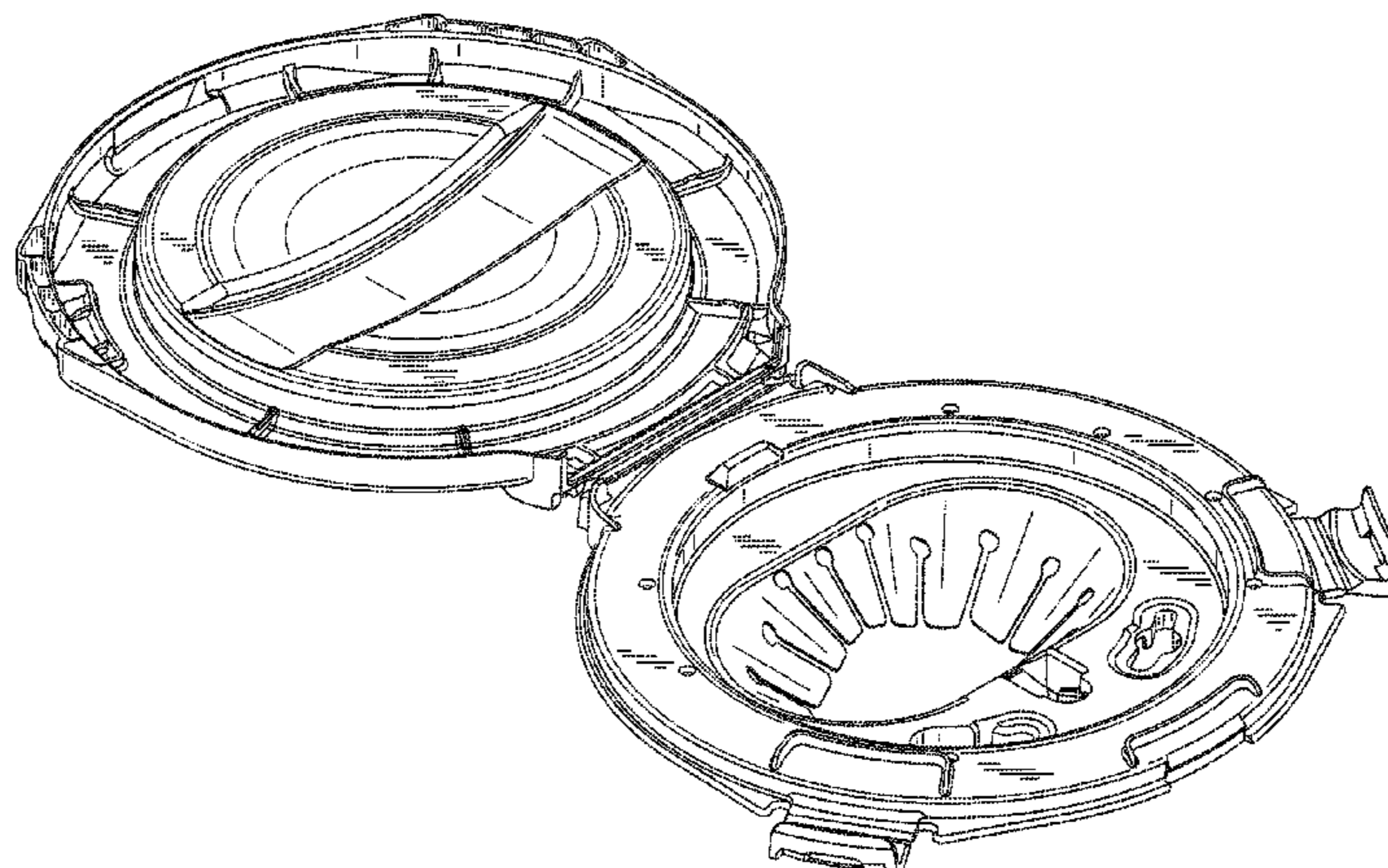
**FOREIGN PATENT DOCUMENTS**

DE	197 30 472 C1	10/1998
DE	203 04 131 U1	7/2003
EP	0 891 785 A2	1/1999

FIG. 6 is a side view of a medical waste container hinged lid in a fully open position showing the closure part on the left and the cap part on the right.

The broken line showing is included for the purpose of illustrating portions of the article and forms no part of the claimed design.

**1 Claim, 6 Drawing Sheets**



# US D591,859 S

Page 2

---

## U.S. PATENT DOCUMENTS

5,938,063	A	8/1999	Hoftman	6,986,434	B1	1/2006	Getsy et al.	
6,062,001	A	5/2000	Kunik	6,997,313	B2	2/2006	Rigling	
6,092,690	A	7/2000	Bitowft et al.	7,445,116	B2 *	11/2008	Dansaert et al.	..... 206/366
6,585,114	B2 *	7/2003	Kennedy et al.	2003/0052027	A1 *	3/2003	Kennedy et al.	..... 206/366
D478,664	S *	8/2003	Moats et al.	2006/0070898	A1	4/2006	Dansaert et al.	
D485,906	S	1/2004	Dansaert et al.	2007/0051739	A1 *	3/2007	Giraud	..... 220/839

\* cited by examiner

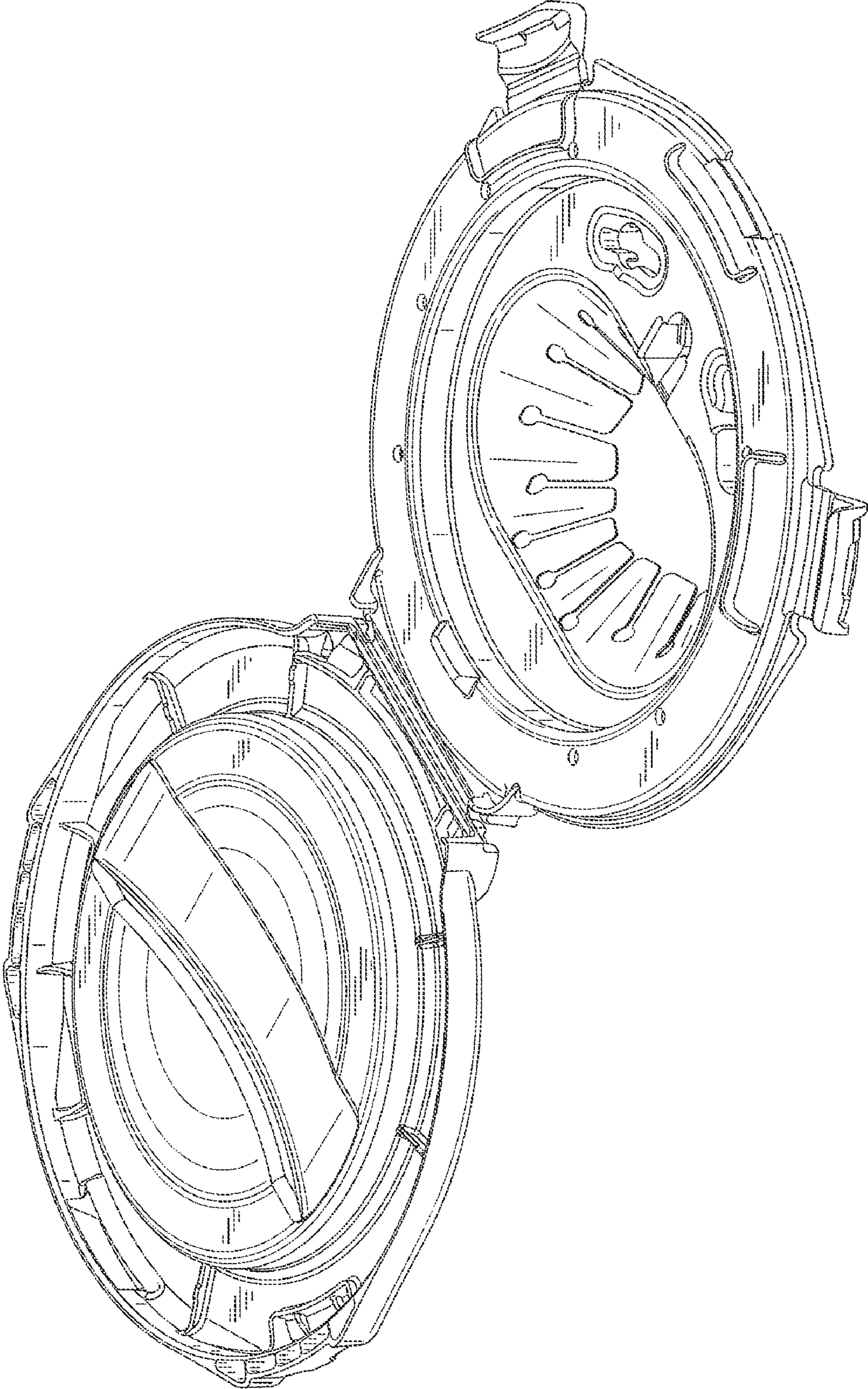


FIG. 1

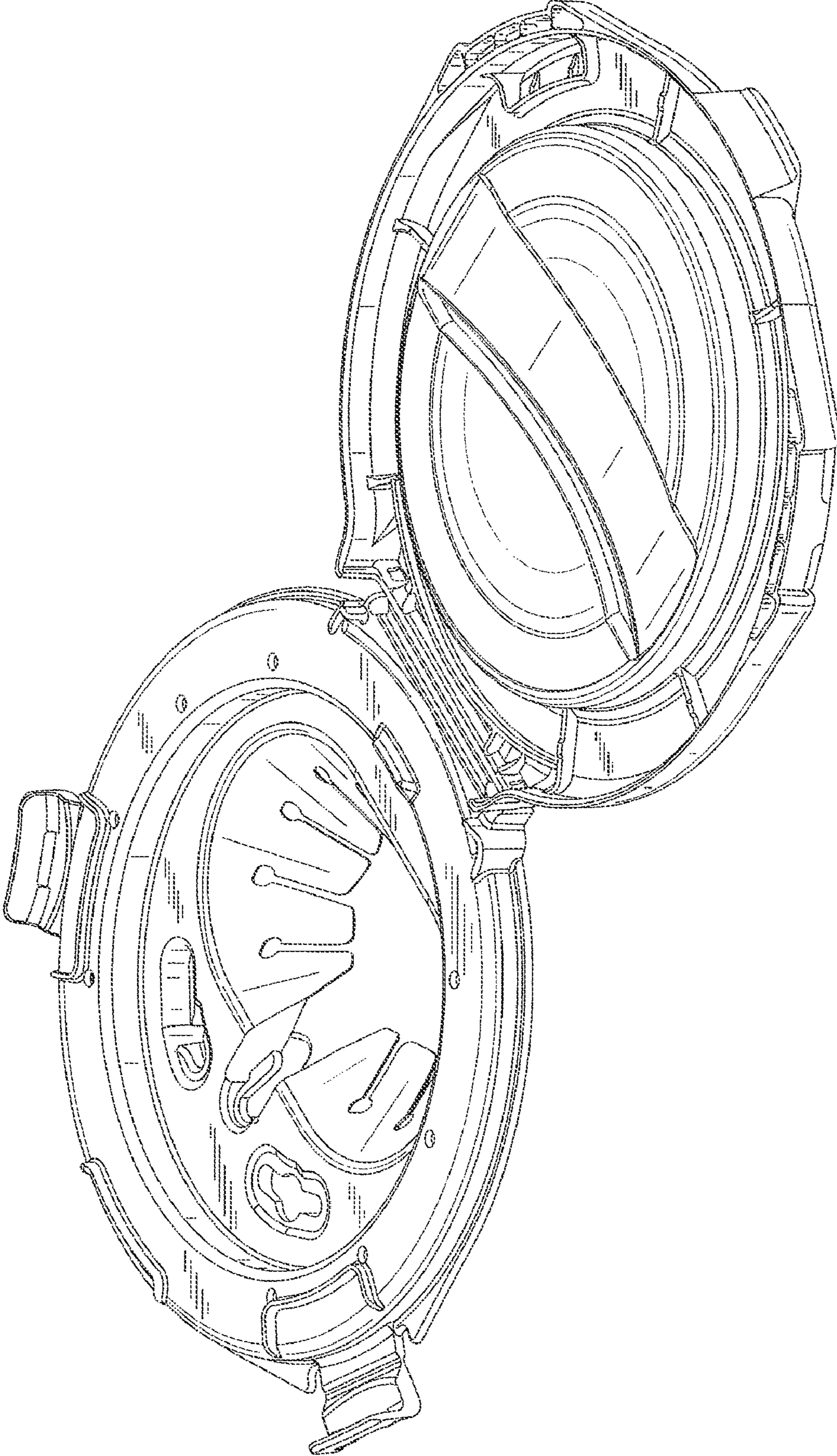


FIG. 2

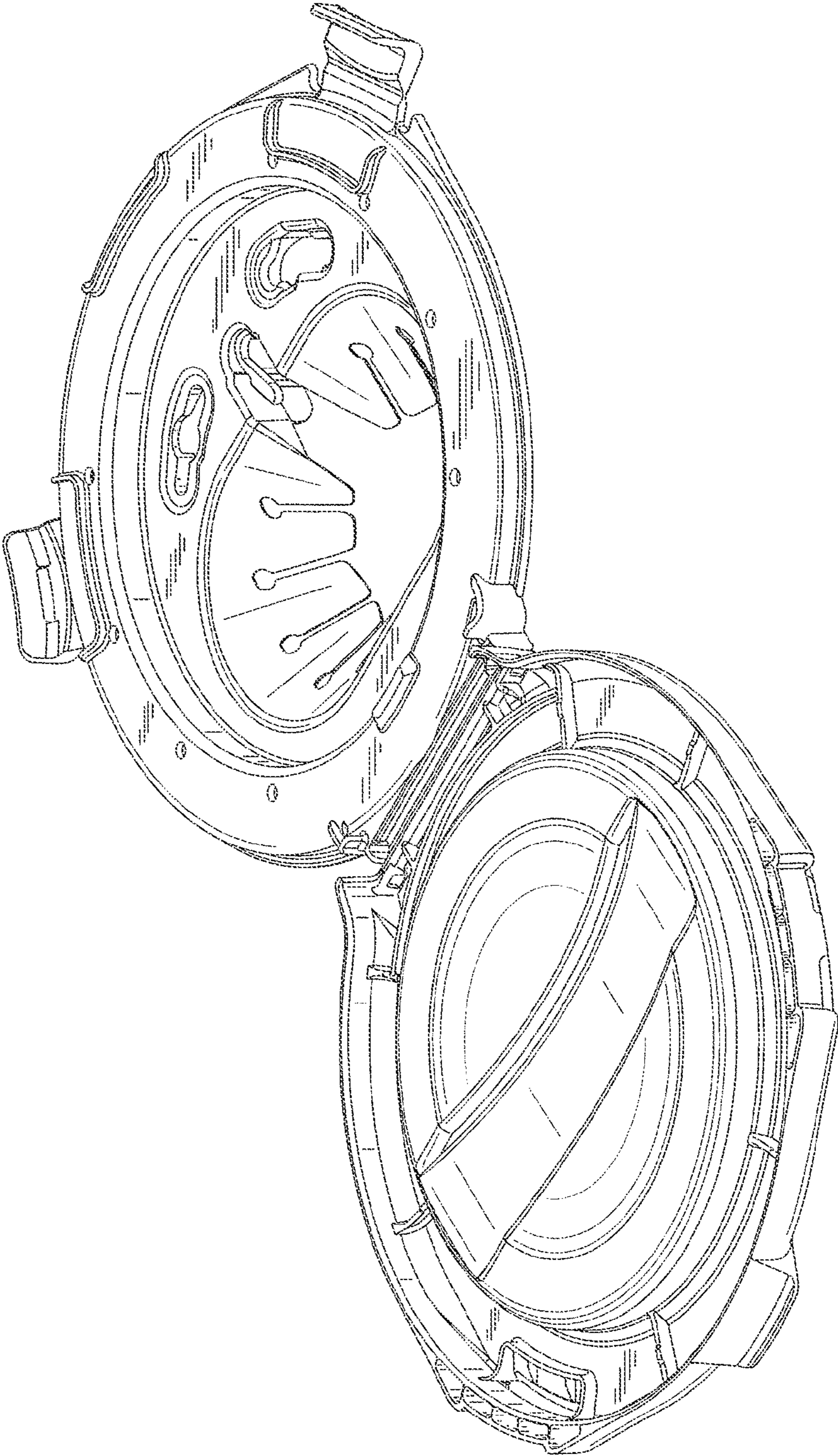


FIG. 3

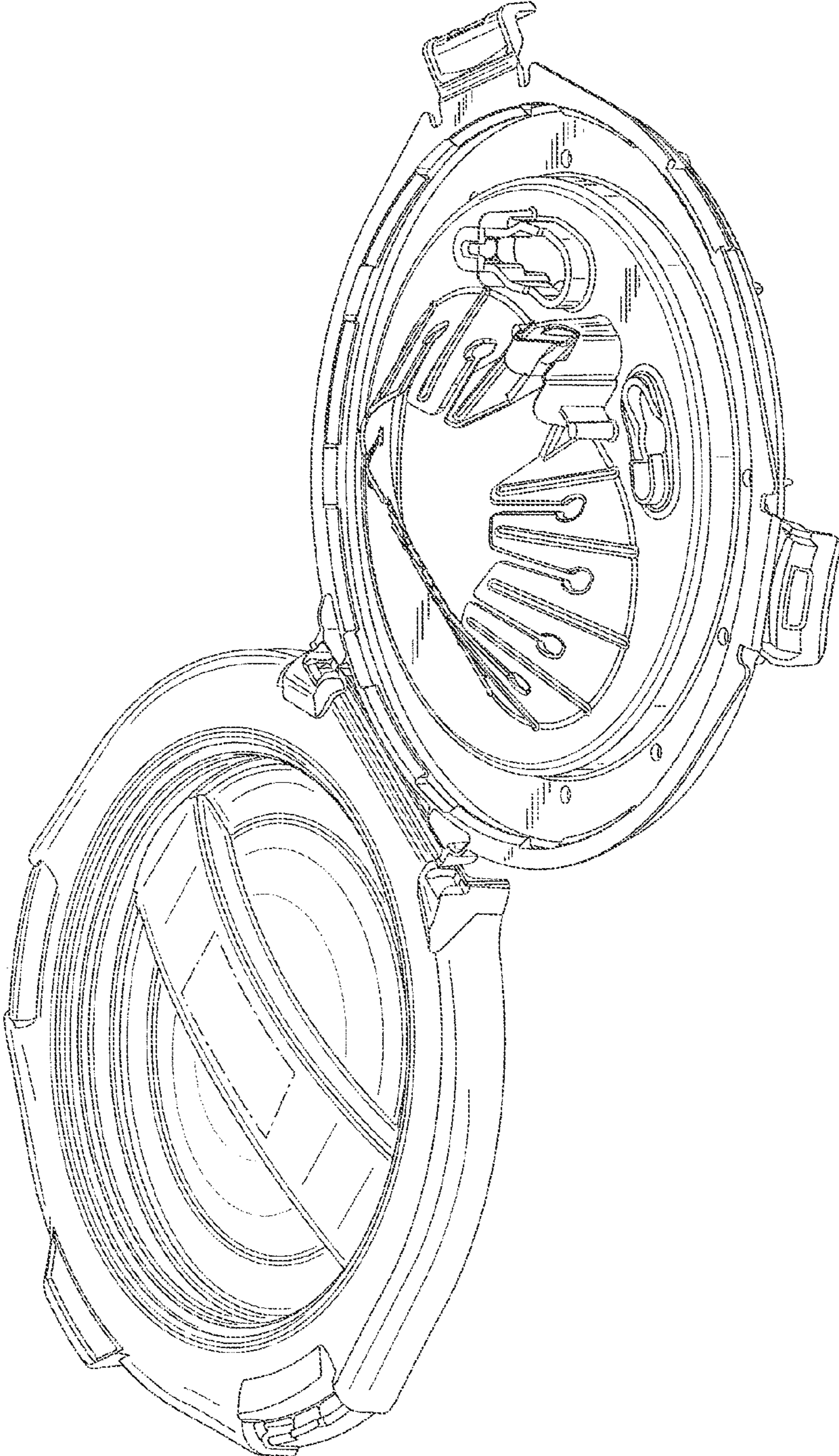


FIG. 4

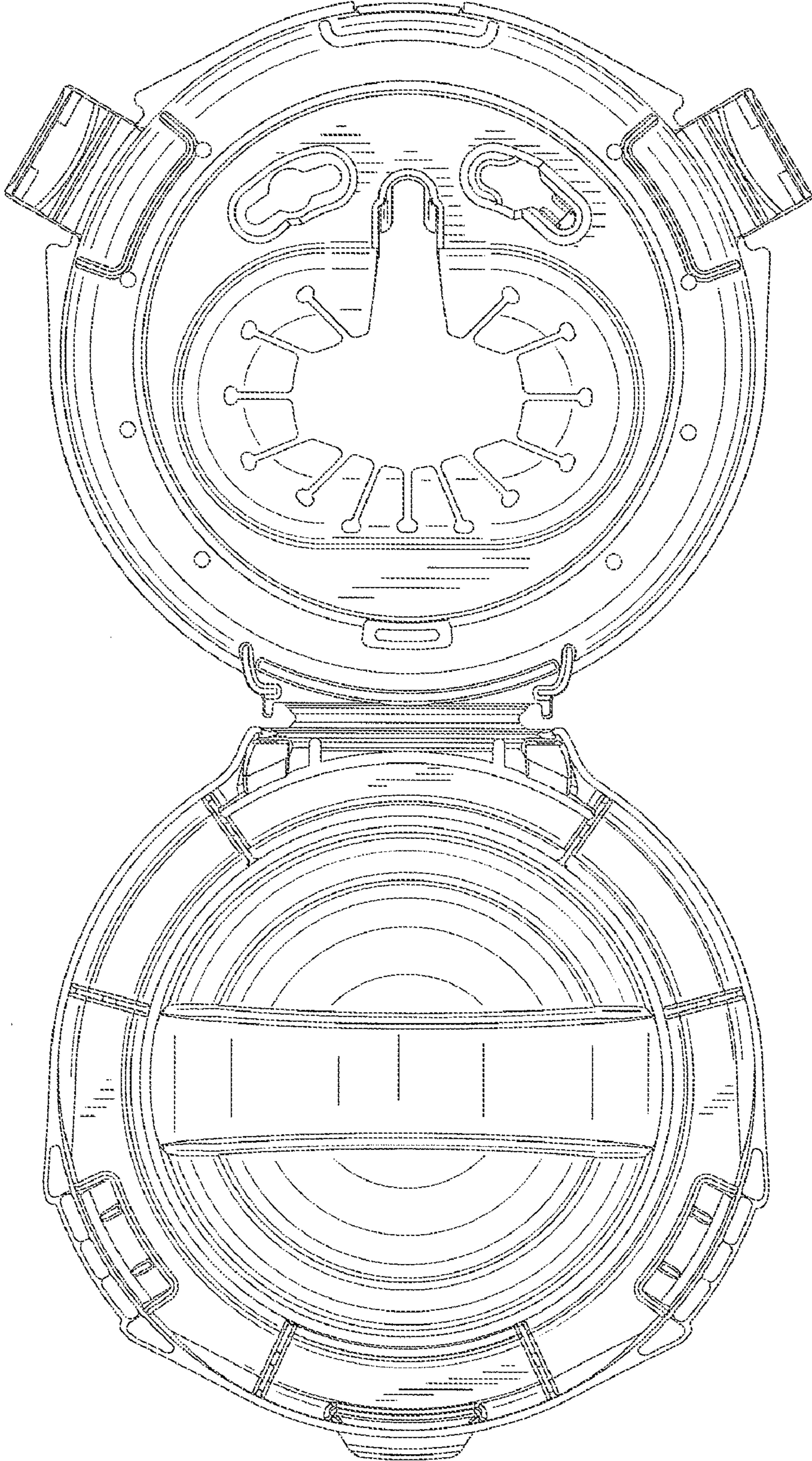


FIG. 5

FIG. 6

