



US00D591855S

(12) **United States Design Patent**
Lulla et al.

(10) **Patent No.:** **US D591,855 S**

(45) **Date of Patent:** **** May 5, 2009**

(54) **DUST CAP**

(75) Inventors: **Amar Lulla**, Mumbai (IN); **Xerxes Rao**,
Mumbai (IN)

(73) Assignee: **Cipla Limited**, Maharashtra (IN)

(**) Term: **14 Years**

(21) Appl. No.: **29/302,210**

(22) Filed: **Jan. 11, 2008**

(30) **Foreign Application Priority Data**

Jul. 13, 2007 (IN) 211212

(51) **LOC (9) Cl.** **29-02**

(52) **U.S. Cl.** **D24/110**

(58) **Field of Classification Search** D24/110;
128/203.12, 203.15, 200.14, 200.18, 200.21,
128/200.23, 205.15, 205.21, 205.23, 204.13;
D13/199, 152, 184, 134, 136; D9/435, 443,
D9/445, 453

See application file for complete search history.

(56) **References Cited**

U.S. PATENT DOCUMENTS

- D355,029 S * 1/1995 Kinneir et al. D24/110
- D377,215 S * 1/1997 Rand D24/110
- D412,979 S * 8/1999 Weinstein et al. D24/110
- D449,684 S * 10/2001 Chrstrup et al. D24/110
- D452,910 S * 1/2002 Braithwaite et al. D24/110

- D460,173 S * 7/2002 Harrison D24/110
- D518,170 S * 3/2006 Clarke et al. D24/110
- 7,069,929 B2 * 7/2006 Young et al. 128/203.15
- D537,936 S * 3/2007 Cox et al. D24/110
- 7,270,124 B2 * 9/2007 Rasmussen 128/200.23
- D552,729 S * 10/2007 Cox et al. D24/110
- 2008/0060642 A1 * 3/2008 Bunce 128/200.23

* cited by examiner

Primary Examiner—Ian Simmons

Assistant Examiner—Christopher Lee

(74) *Attorney, Agent, or Firm*—Knobbe Martens Olson &
Bear LLP

(57) **CLAIM**

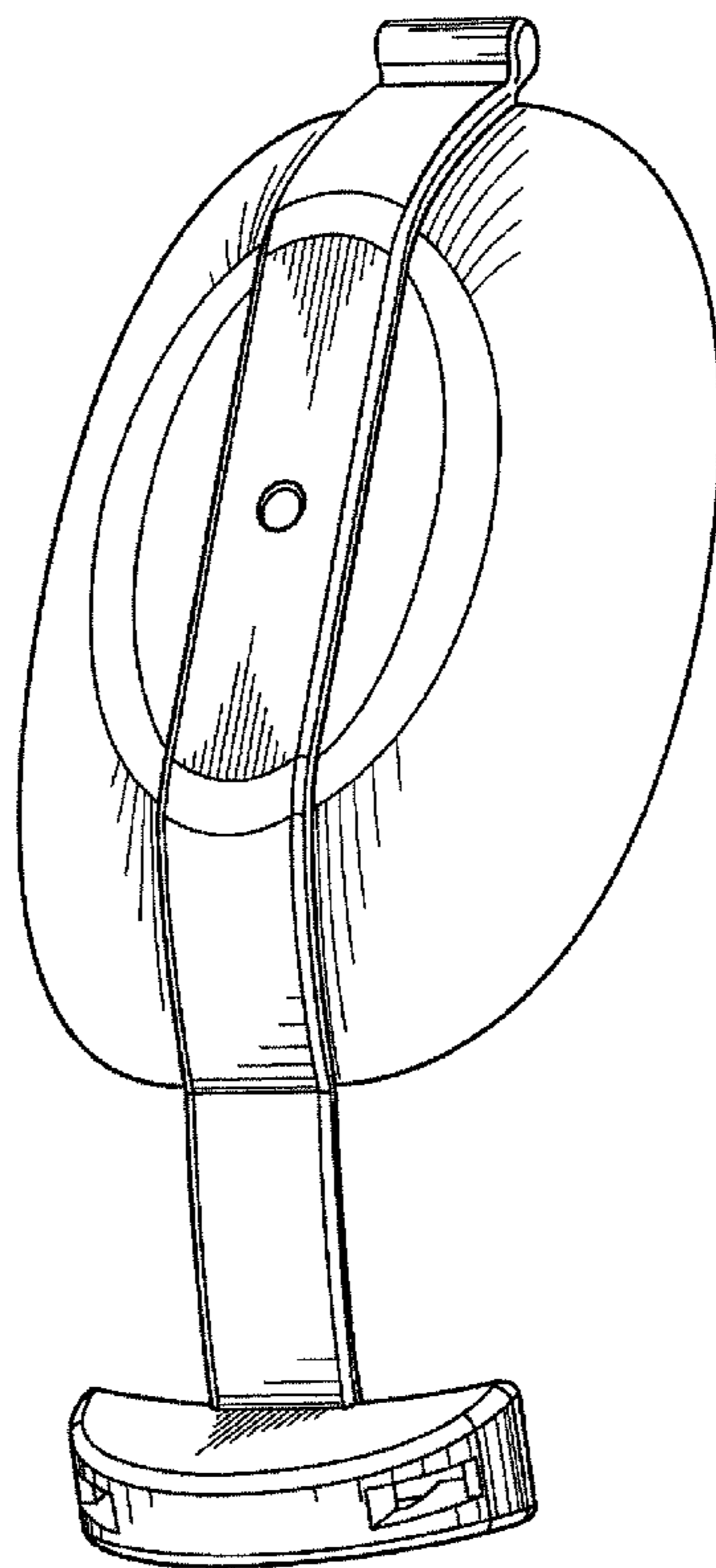
The ornamental design for a dust cap, as shown and
described.

DESCRIPTION

- FIG. 1 is a top view thereof;
- FIG. 2 is a front view thereof;
- FIG. 3 is a back view thereof;
- FIG. 4 is a left side view thereof;
- FIG. 5 is a right side view thereof;
- FIG. 6 is a bottom view thereof; and,
- FIG. 7 is a perspective view thereof.

The features shown in broken lines provide context only and
do not form part of the claimed design.

1 Claim, 7 Drawing Sheets



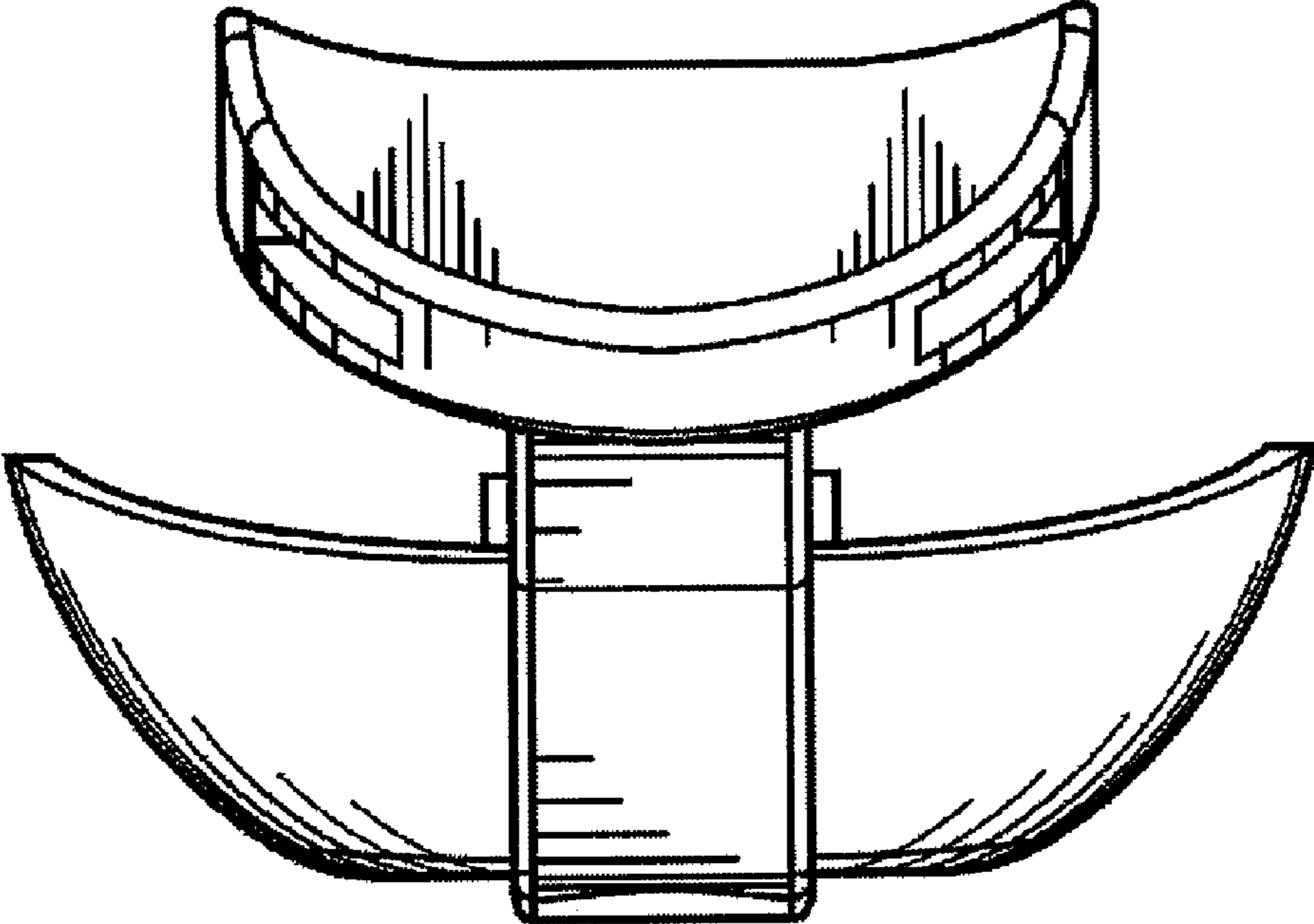


Fig. 1

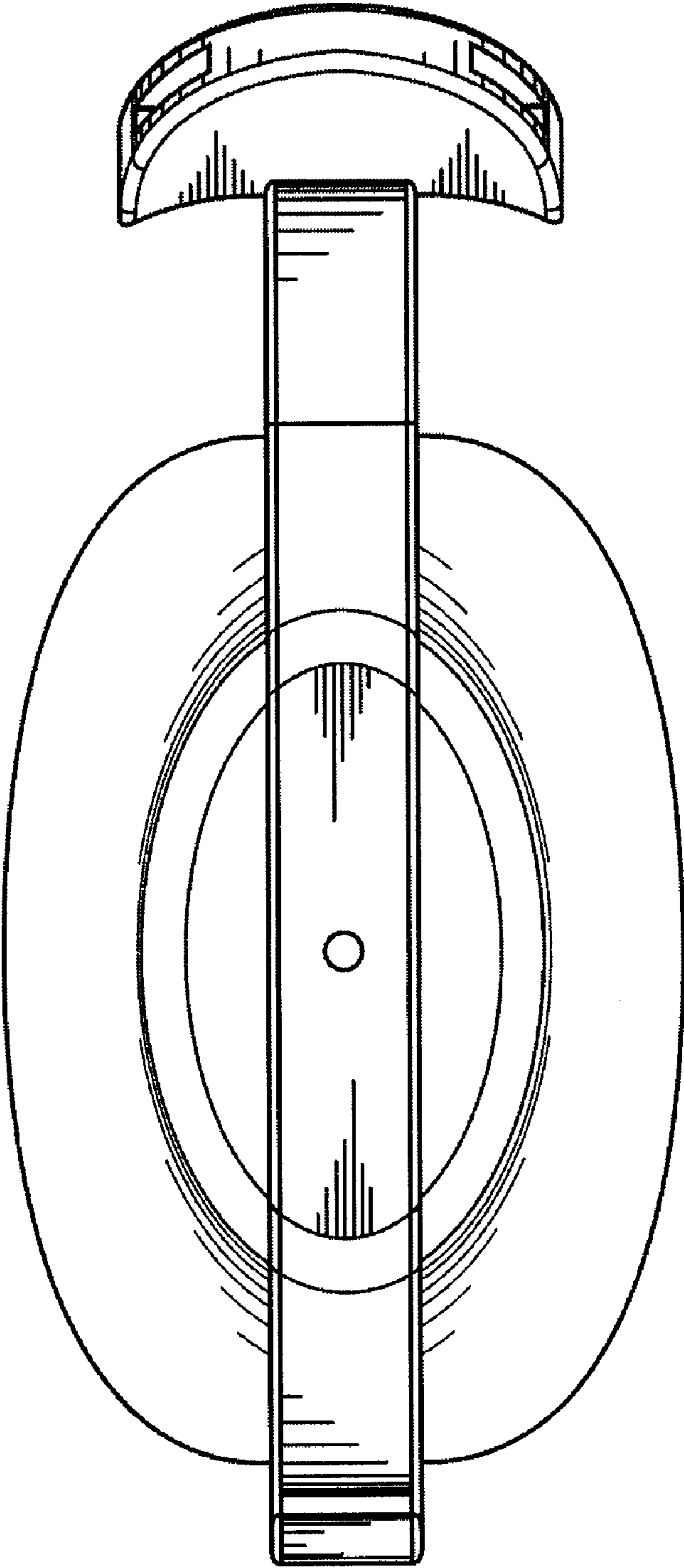


Fig. 2

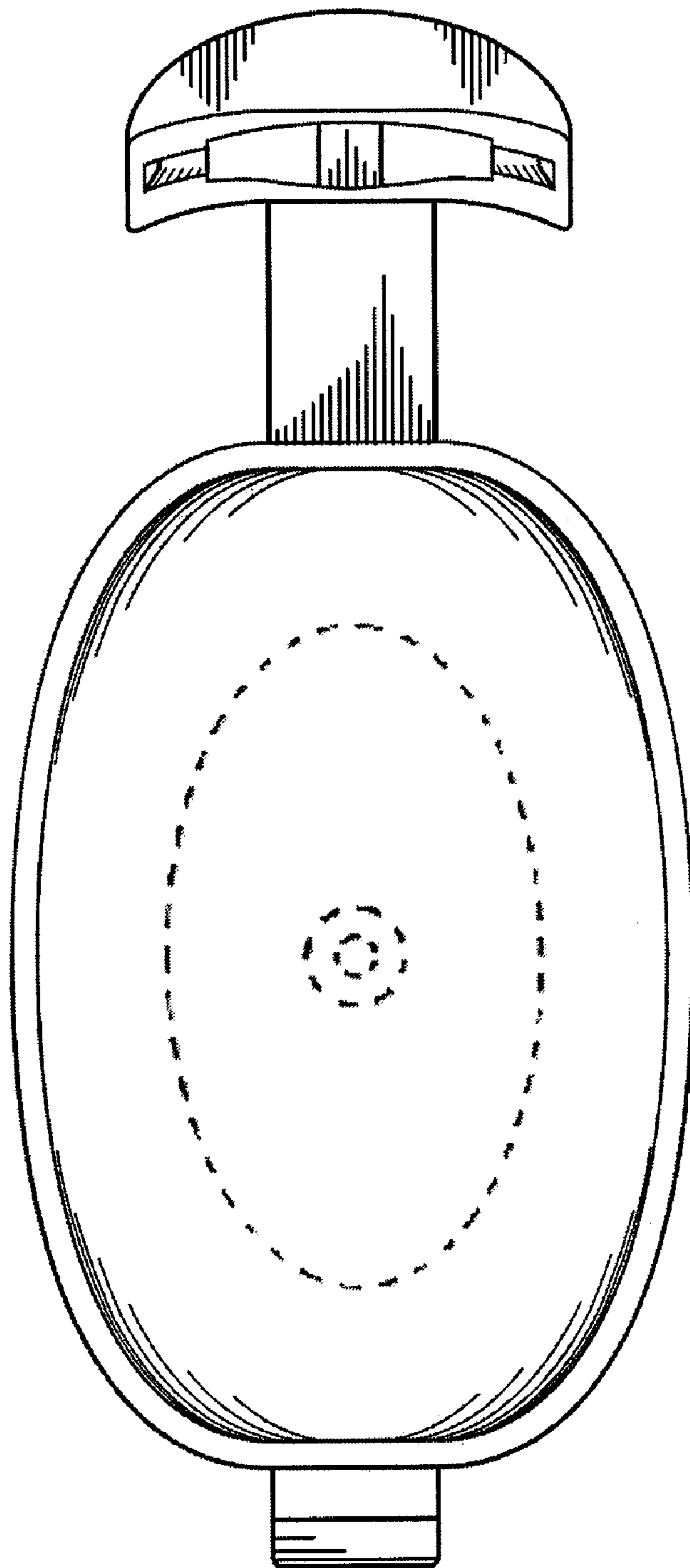


Fig. 3

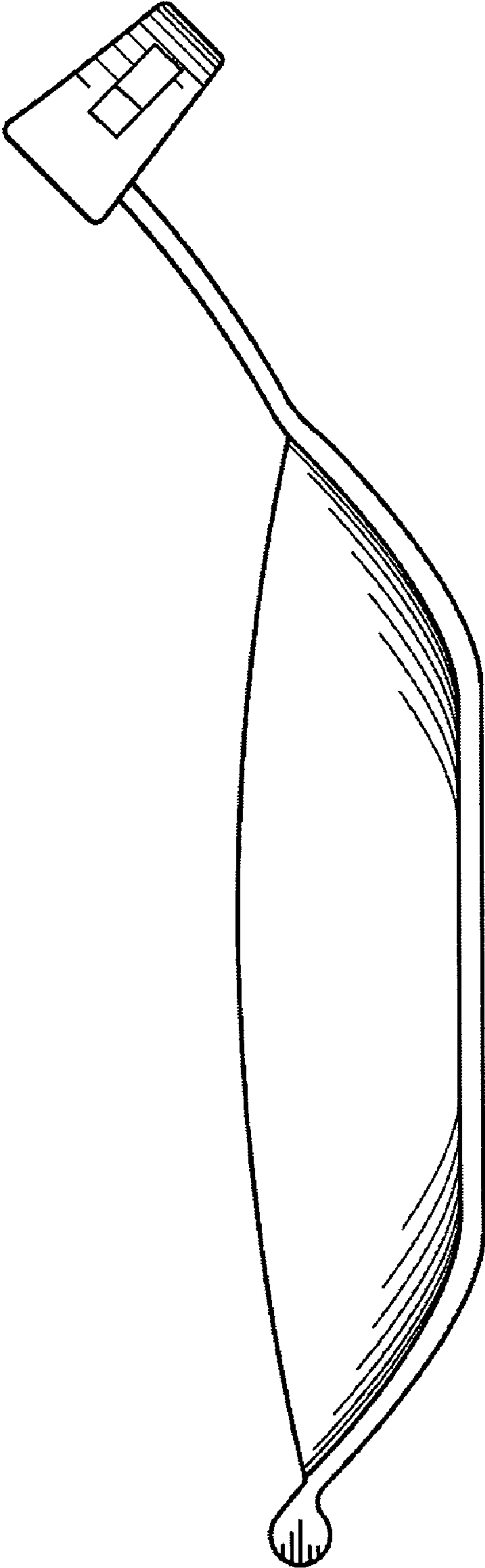


Fig. 4

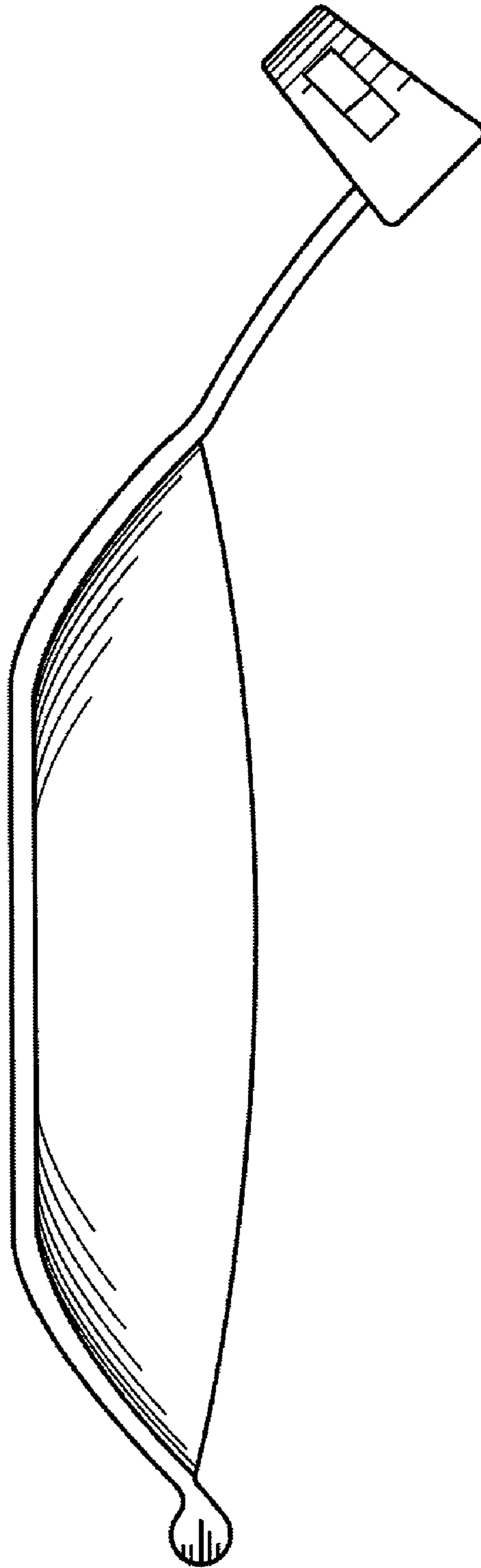


Fig. 5

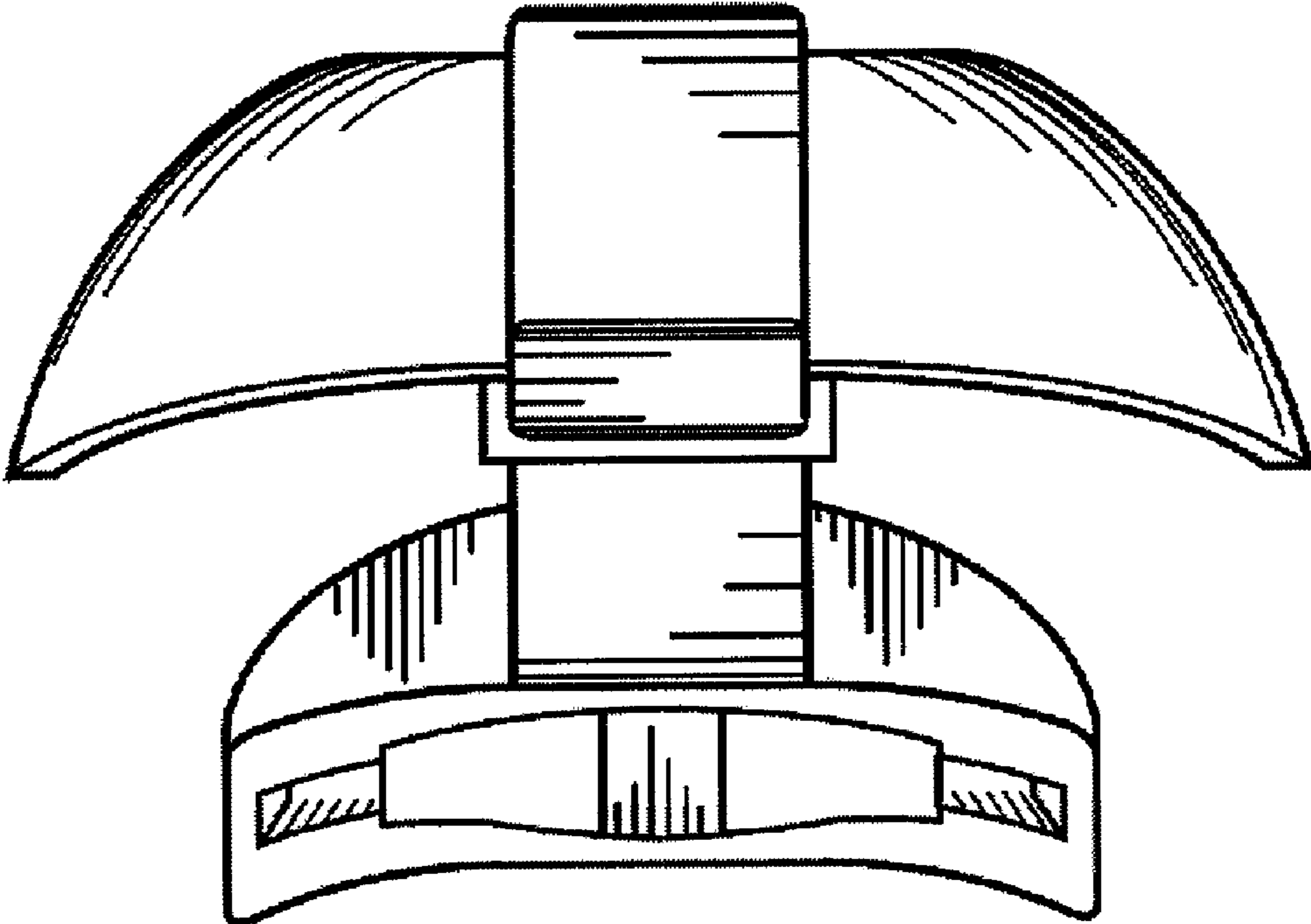


Fig. 6

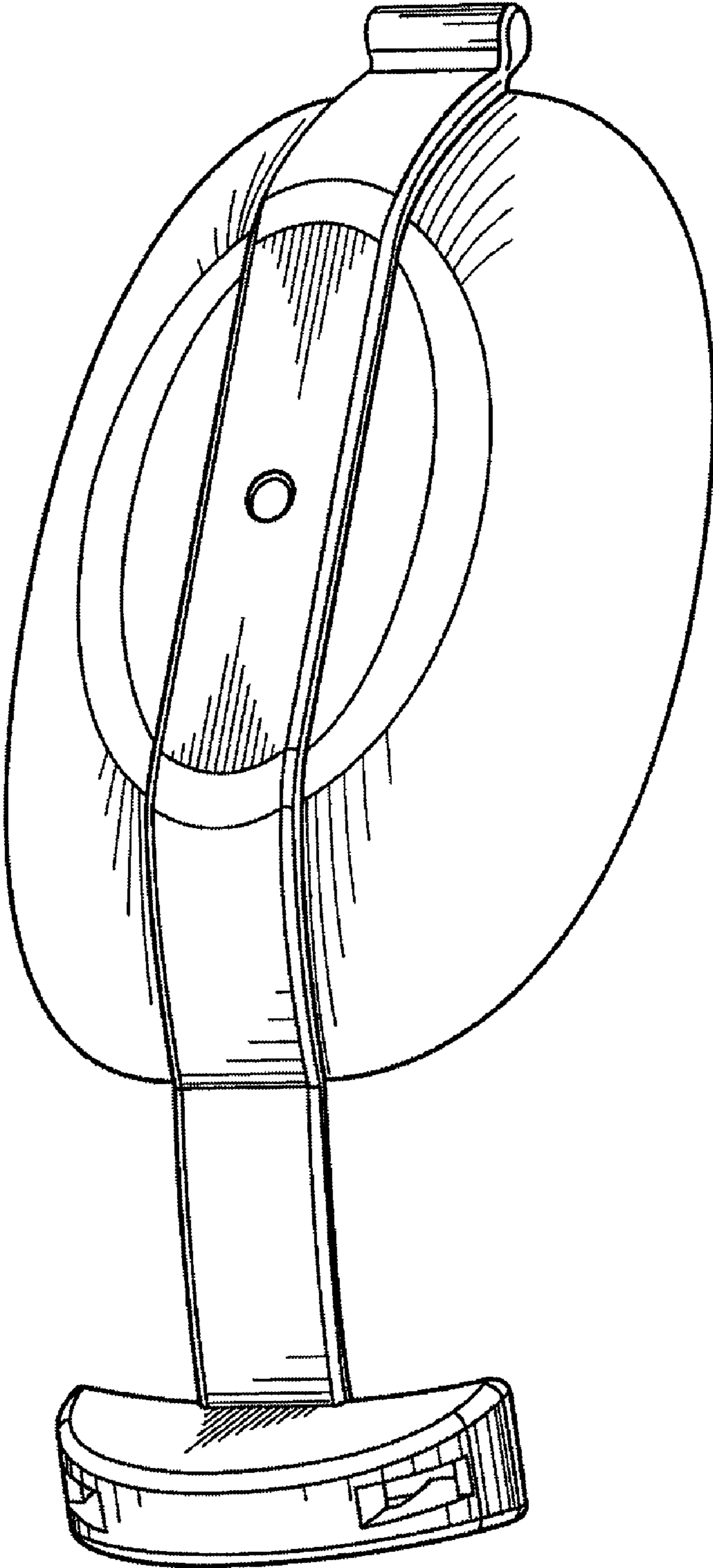


Fig. 7