

US00D591849S

(12) **United States Design Patent**
Osterberg

(10) **Patent No.:** **US D591,849 S**

(45) **Date of Patent:** **** May 5, 2009**

(54) **CUCUMBER SHAPED CONDOM**

6,983,751 B2 * 1/2006 Osterberg 128/844
7,086,403 B2 * 8/2006 Harrison et al. 128/844
D565,191 S * 3/2008 Nan D24/215

(76) Inventor: **Brian Osterberg**, Intelix, Inc., P.O. Box
42, Petoskey, MI (US) 49770

(**) Term: **14 Years**

(21) Appl. No.: **29/304,249**

(22) Filed: **Feb. 27, 2008**

(51) **LOC (9) Cl.** **28-01**

(52) **U.S. Cl.** **D24/105**

(58) **Field of Classification Search** D24/105;
600/38, 41; 128/842, 844-845, 917-918;
604/349; D1/124, 111, 130

See application file for complete search history.

(56) **References Cited**

U.S. PATENT DOCUMENTS

5,062,425 A * 11/1991 Tucker 604/103.11
D434,138 S * 11/2000 DeVries D24/105
6,776,755 B1 * 8/2004 Raskin 600/39

* cited by examiner

Primary Examiner—Ian Simmons

Assistant Examiner—Wan Laymon

(74) *Attorney, Agent, or Firm*—Gifford, Krass, Sprinkle,
Anderson & Citkowski, P.C.

(57) **CLAIM**

I claim the ornamental design for a cucumber shaped condom,
as shown and described.

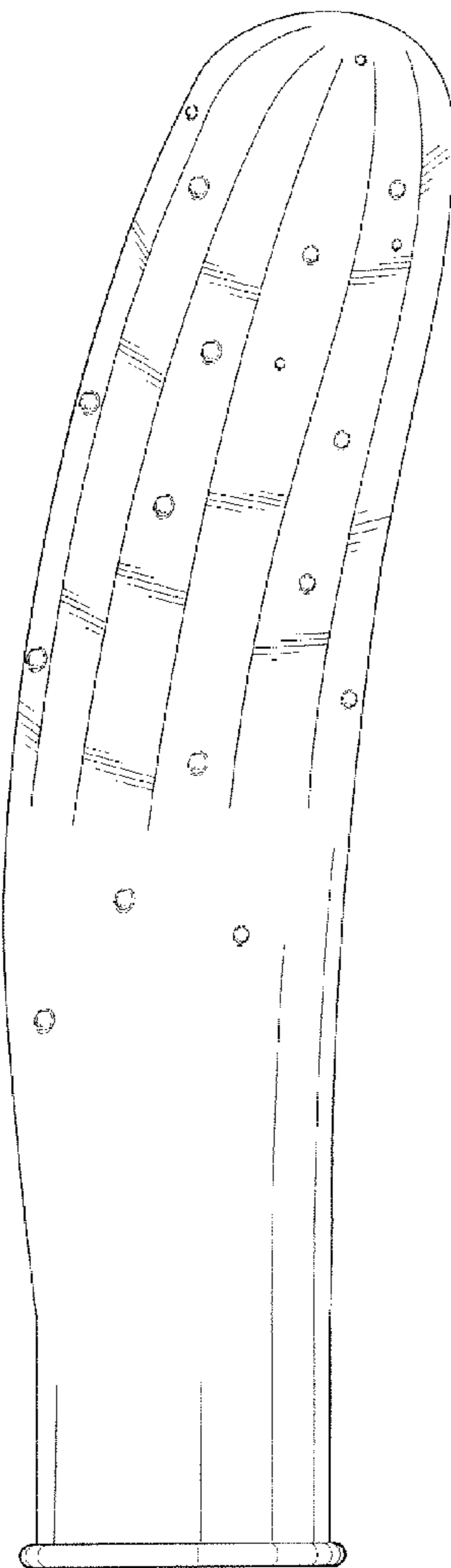
DESCRIPTION

FIG. 1 is a side view of the cucumber shaped condom accord-
ing to the design;

FIG. 2 is a top view of the design; and,

FIG. 3 is a bottom view of the design.

1 Claim, 1 Drawing Sheet



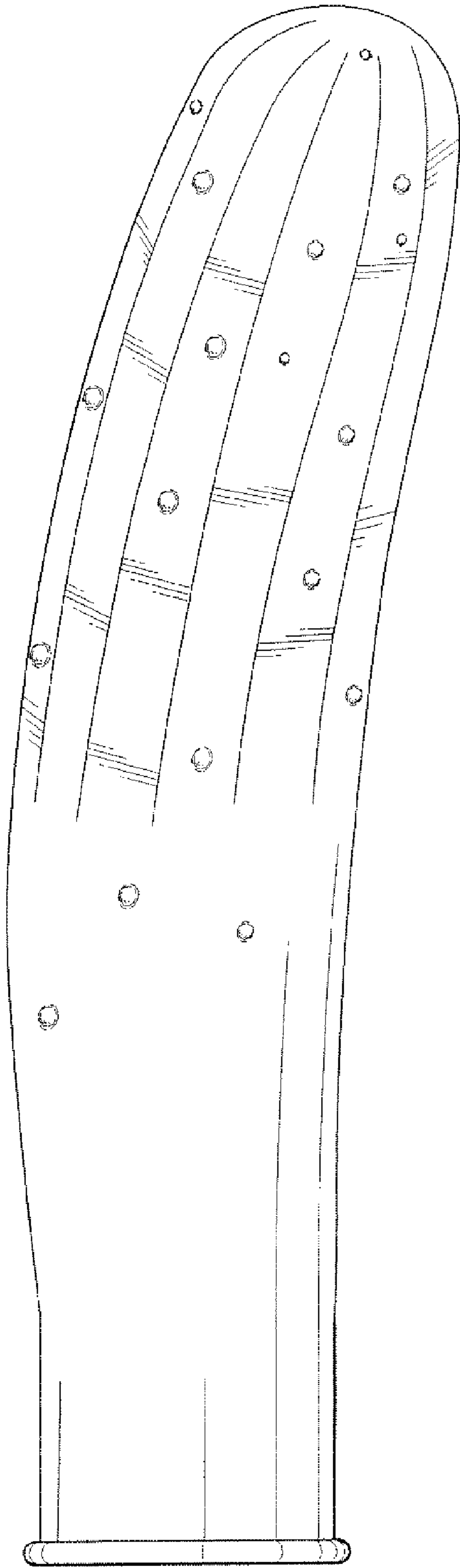


FIG - 1

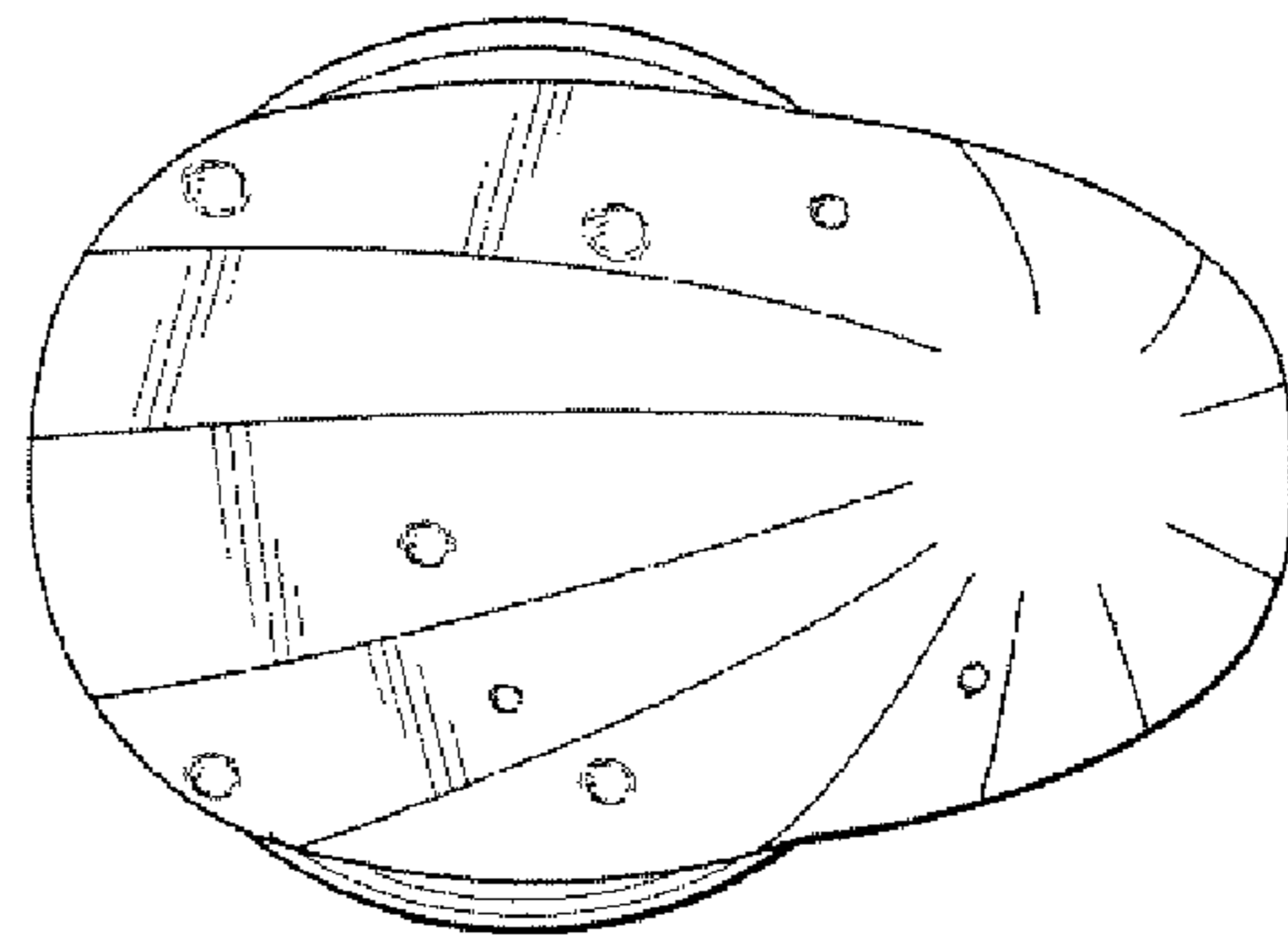


FIG - 2

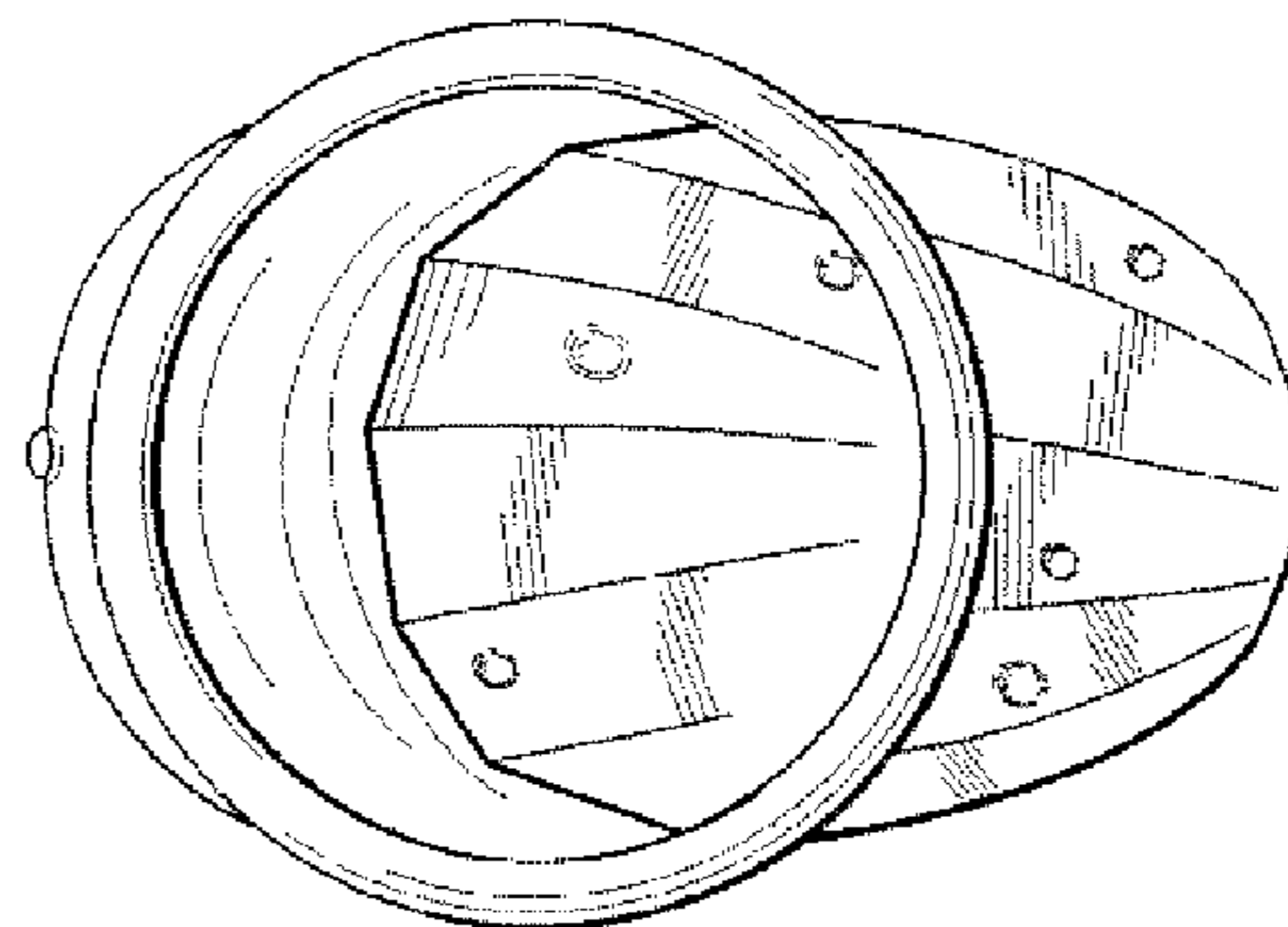


FIG - 3