

US00D591847S

(12) **United States Design Patent**
Osterberg

(10) **Patent No.:** **US D591,847 S**

(45) **Date of Patent:** **** May 5, 2009**

(54) **SUBMARINE SHAPED CONDOM**

(76) **Inventor:** **Brian Osterberg**, P.O. Box 42, Petoskey,
MI (US) 49770

(**) **Term:** **14 Years**

(21) **Appl. No.:** **29/304,246**

(22) **Filed:** **Feb. 27, 2008**

(51) **LOC (9) Cl.** **28-01**

(52) **U.S. Cl.** **D24/105**

(58) **Field of Classification Search** D24/105;
600/38, 41; 128/842, 844-845, 917-918;
604/349; D21/440, 439

See application file for complete search history.

(56) **References Cited**

U.S. PATENT DOCUMENTS

5,885,205 A * 3/1999 Kassman 600/38
D448,471 S * 9/2001 Johannsson D24/105

6,569,083 B1 * 5/2003 Kassman 600/38
D525,357 S * 7/2006 Barrett D24/105
D569,966 S * 5/2008 Osterberg D24/105

* cited by examiner

Primary Examiner—Ian Simmons

Assistant Examiner—Wan Laymon

(74) *Attorney, Agent, or Firm*—Gifford, Krass, Sprinkle,
Anderson & Citkowski, P.C.

(57) **CLAIM**

The ornamental design for a submarine shaped condom, as shown and described.

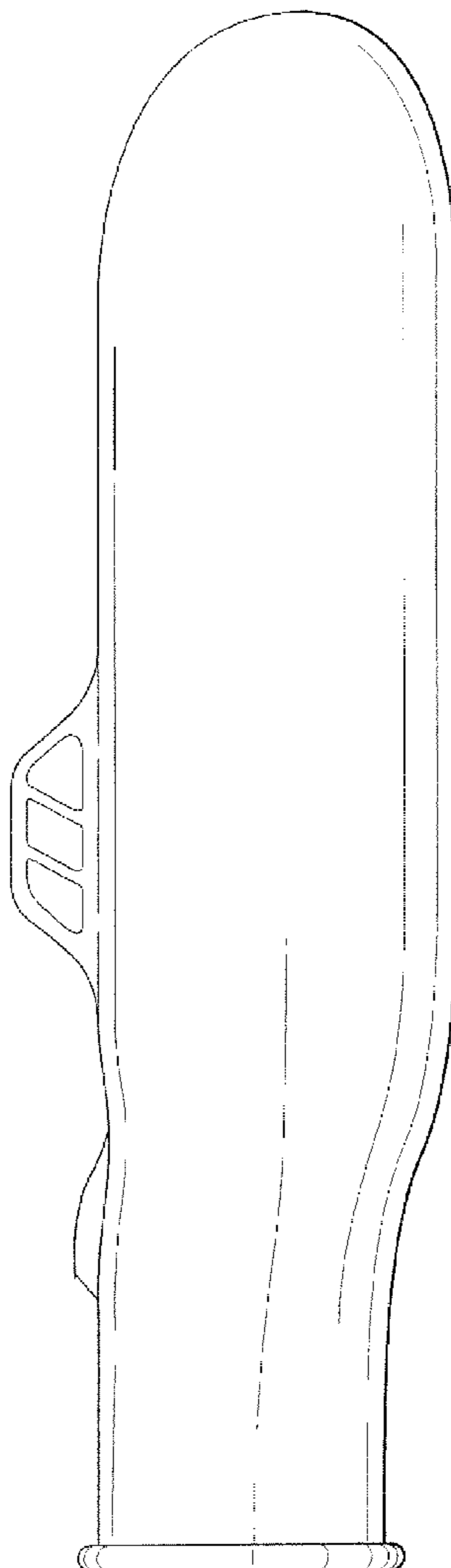
DESCRIPTION

FIG. 1 is a side view of the submarine shaped condom according to the design;

FIG. 2 is a top view of the design; and,

FIG. 3 is a bottom view of the design.

1 Claim, 1 Drawing Sheet



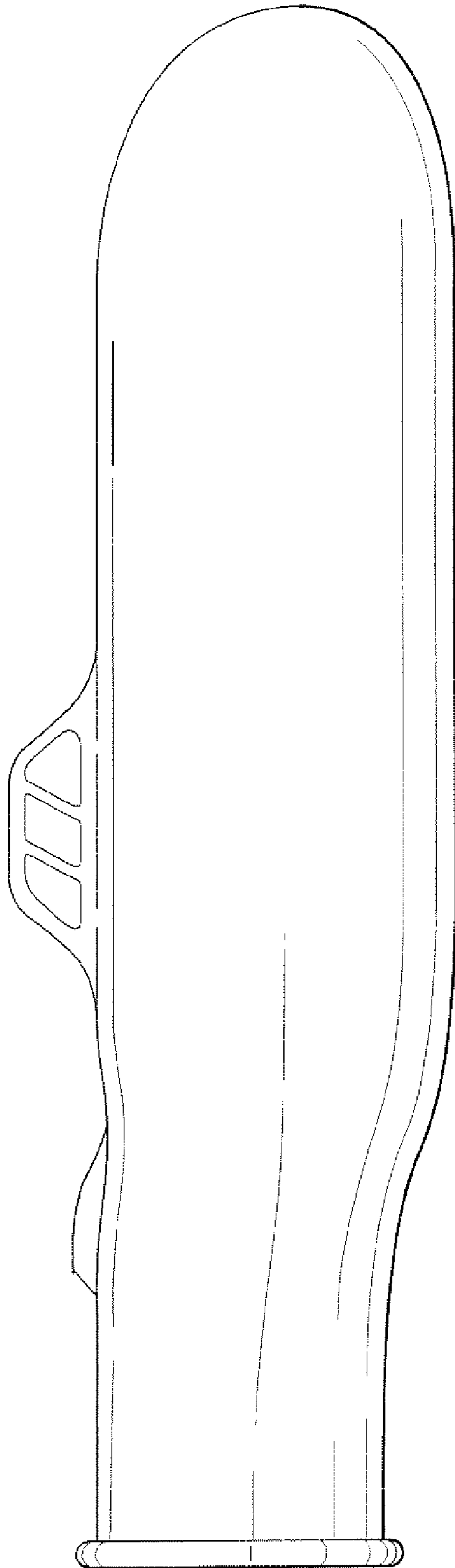


FIG - 1

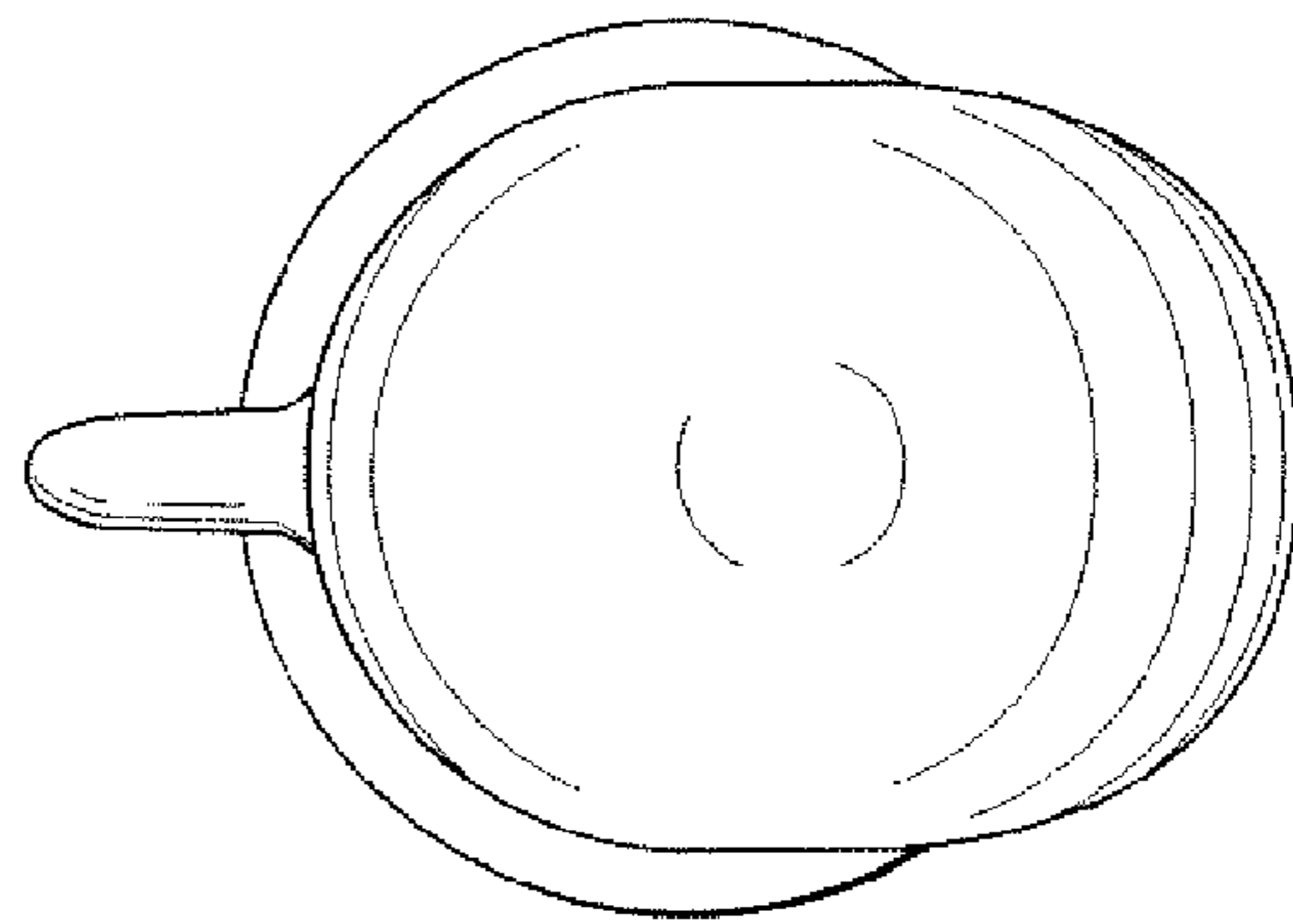


FIG - 2

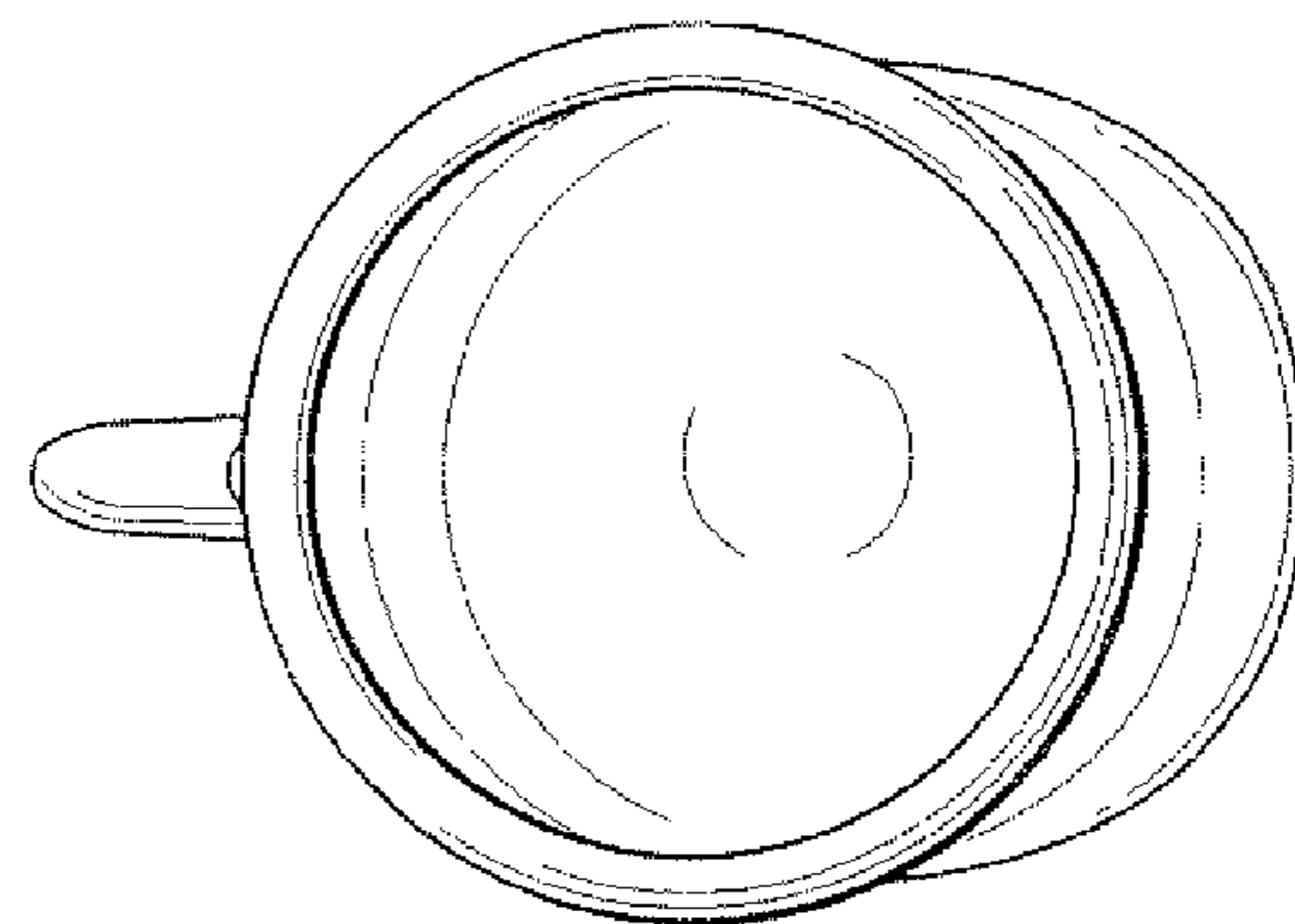


FIG - 3