



US00D591845S

(12) **United States Design Patent**
Smith

(10) **Patent No.:** **US D591,845 S**

(45) **Date of Patent:** **** May 5, 2009**

(54) **CEILING FAN BLADE IRON**

(75) Inventor: **Nathan Smith**, Pasadena, CA (US)

(73) Assignee: **Minka Lighting, Inc.**, Corona, CA (US)

(**) Term: **14 Years**

(21) Appl. No.: **29/319,977**

(22) Filed: **Jun. 18, 2008**

(51) **LOC (9) Cl.** **23-04**

(52) **U.S. Cl.** **D23/411**

(58) **Field of Classification Search** D23/377,
D23/379, 385, 411, 413; 416/5

See application file for complete search history.

(56) **References Cited**

U.S. PATENT DOCUMENTS

D506,251 S	*	6/2005	Young	D23/411
D508,989 S	*	8/2005	Young	D23/411
D510,427 S	*	10/2005	Hidalgo	D23/411
D522,129 S	*	5/2006	Hidalgo	D23/411

OTHER PUBLICATIONS

Emerson Internet Catalog; Westfield; Model #CF680ORB; printed from hansenwholesale.com on May 10, 2008.

Fanimation Internet Catalog; Hubbardton Forge; Model #HF7040BZ; printed from hansenwholesale.com on May 10, 2008.

Emerson Internet Catalog; Maya Zen; Model #CF750ORB; printed from hansenwholesale.com on May 10, 2008.

Fanimation Internet Catalog; The Andover; Model #FP5220OB; printed from hansenwholesale.com on May 10, 2008.

MinkaAire 2007 Catalog; Iconic; Jan. 2007; pp. 140-146; Minka Lighting, Inc.; U.S.A.

The Great Outdoors 2008 Catalog; Iconic; Jan. 2008; pp. 46-47; Minka Lighting, Inc.; U.S.A.

* cited by examiner

Primary Examiner—Lisa P Lichtenstein

(74) *Attorney, Agent, or Firm*—Baker & McKenzie LLP

(57) **CLAIM**

The ornamental design for a ceiling fan blade iron, as shown and described.

DESCRIPTION

FIG. 1 is a bottom perspective view of a ceiling fan blade iron showing an embodiment in accordance with my design;

FIG. 2 is an enlarged bottom perspective view of the ceiling fan blade iron in accordance with my design;

FIG. 3 is an enlarged side elevation view of the ceiling fan blade iron in accordance with my design;

FIG. 4 is an enlarged opposite side elevation view of the ceiling fan blade iron in accordance with my design;

FIG. 5 is an enlarged top plan view of the ceiling fan blade iron in accordance with my design;

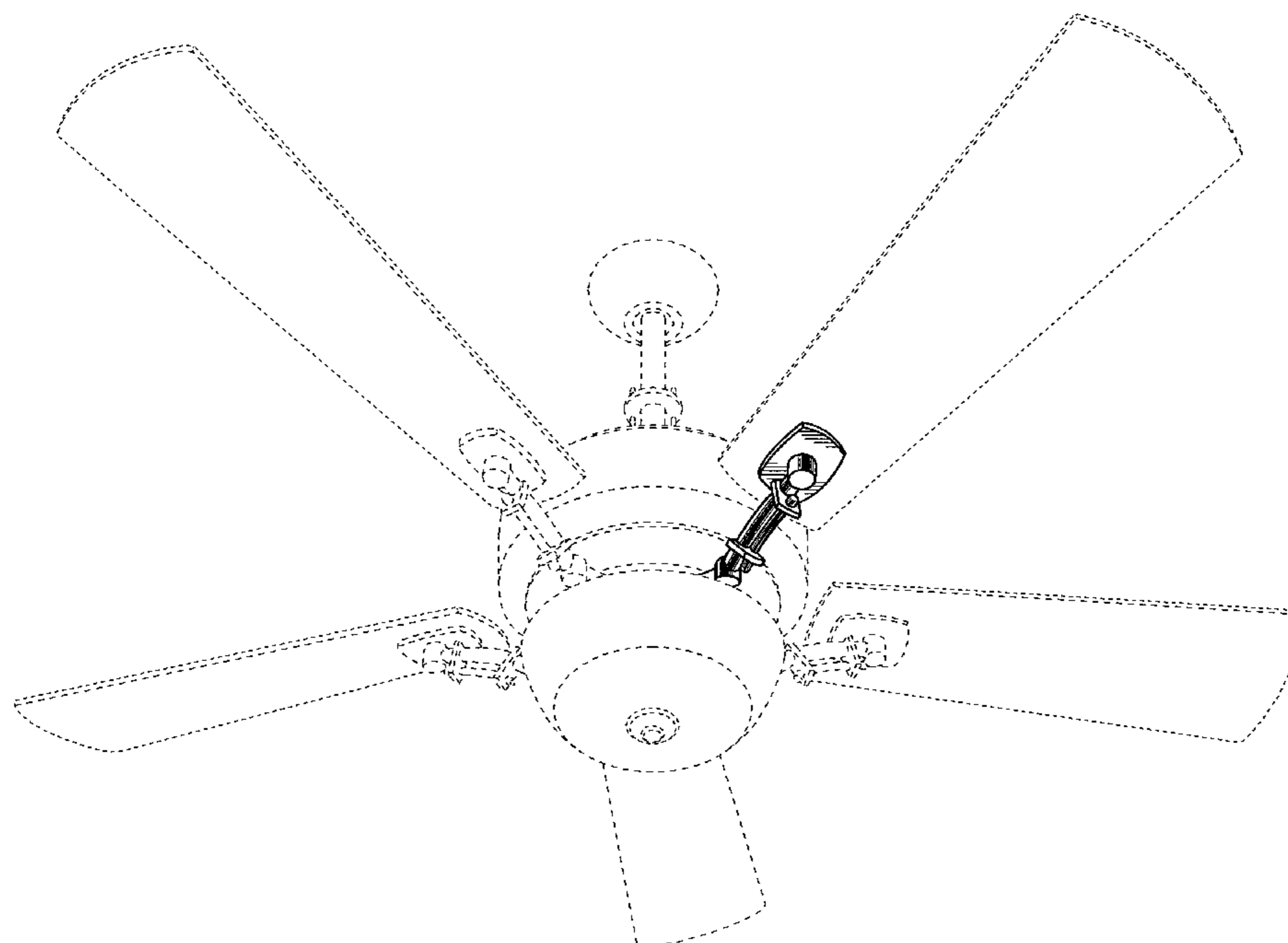
FIG. 6 is an enlarged bottom plan view of the ceiling fan blade iron in accordance with my design;

FIG. 7 is an enlarged front elevation view of the ceiling fan blade iron in accordance with my design; and,

FIG. 8 is an enlarged back elevation view of the ceiling fan blade iron in accordance with my design.

The broken lines showing the environmental structure are for illustrative purposes and form no part of the claimed design.

1 Claim, 3 Drawing Sheets



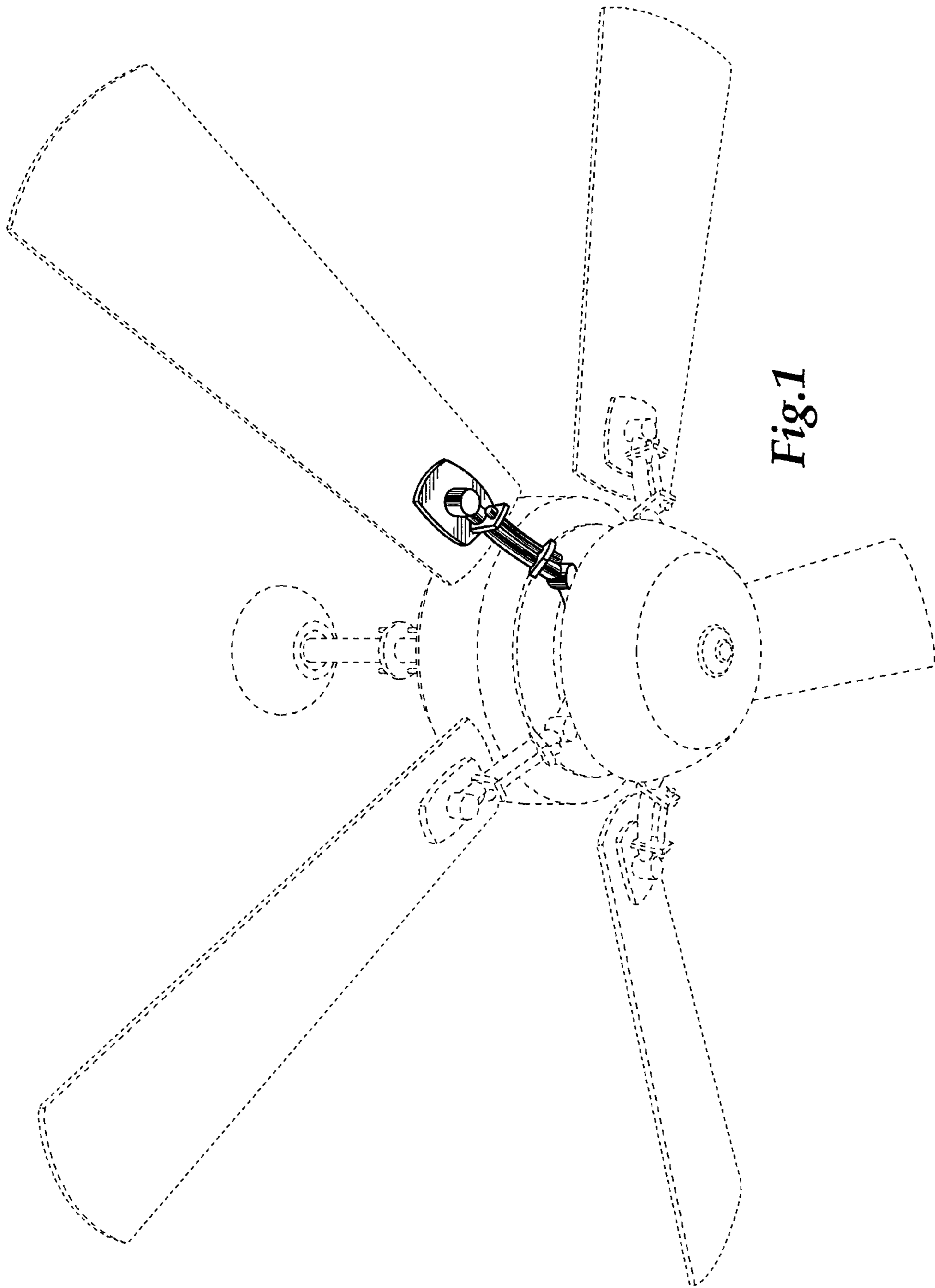


Fig. 1

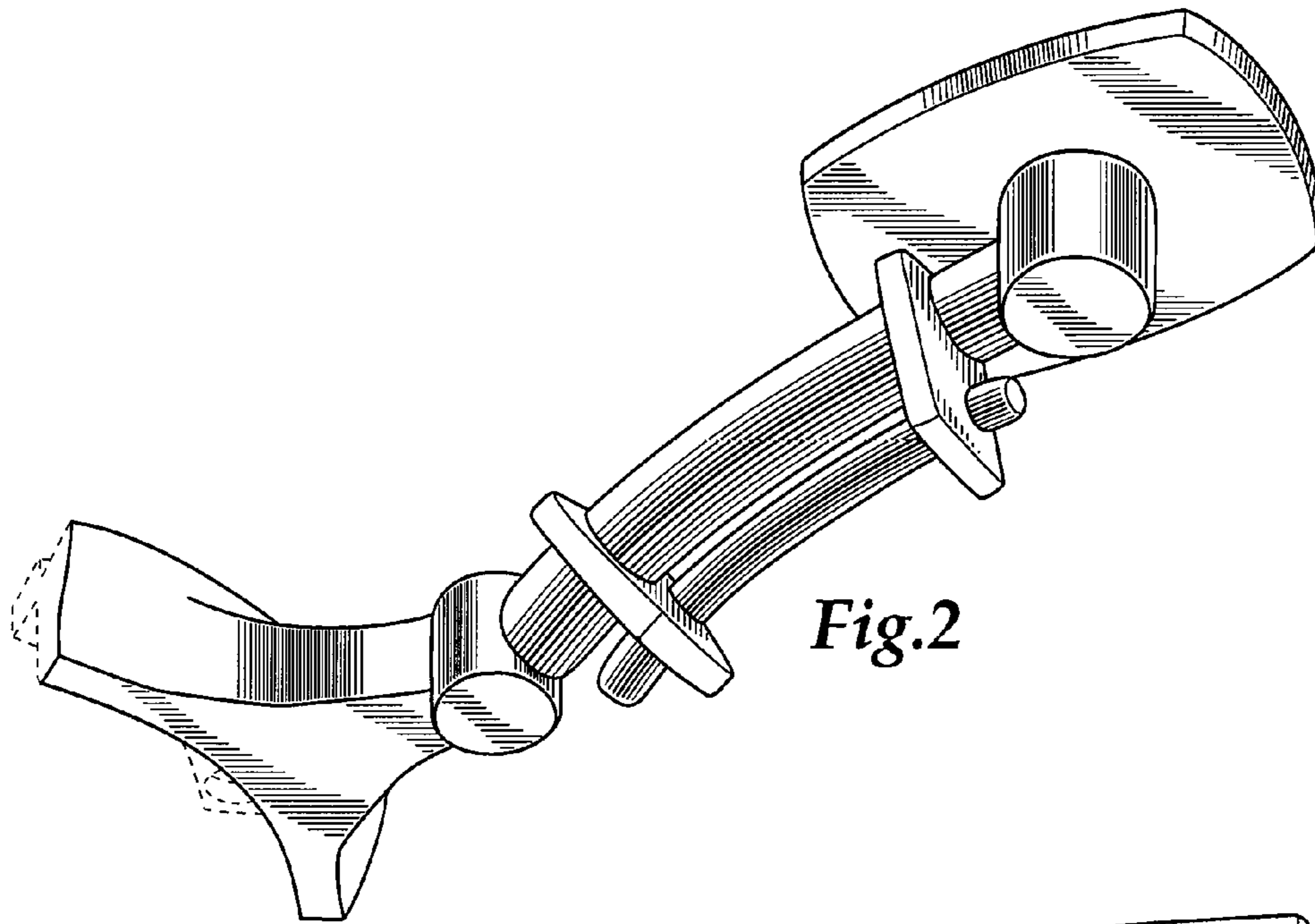


Fig.2

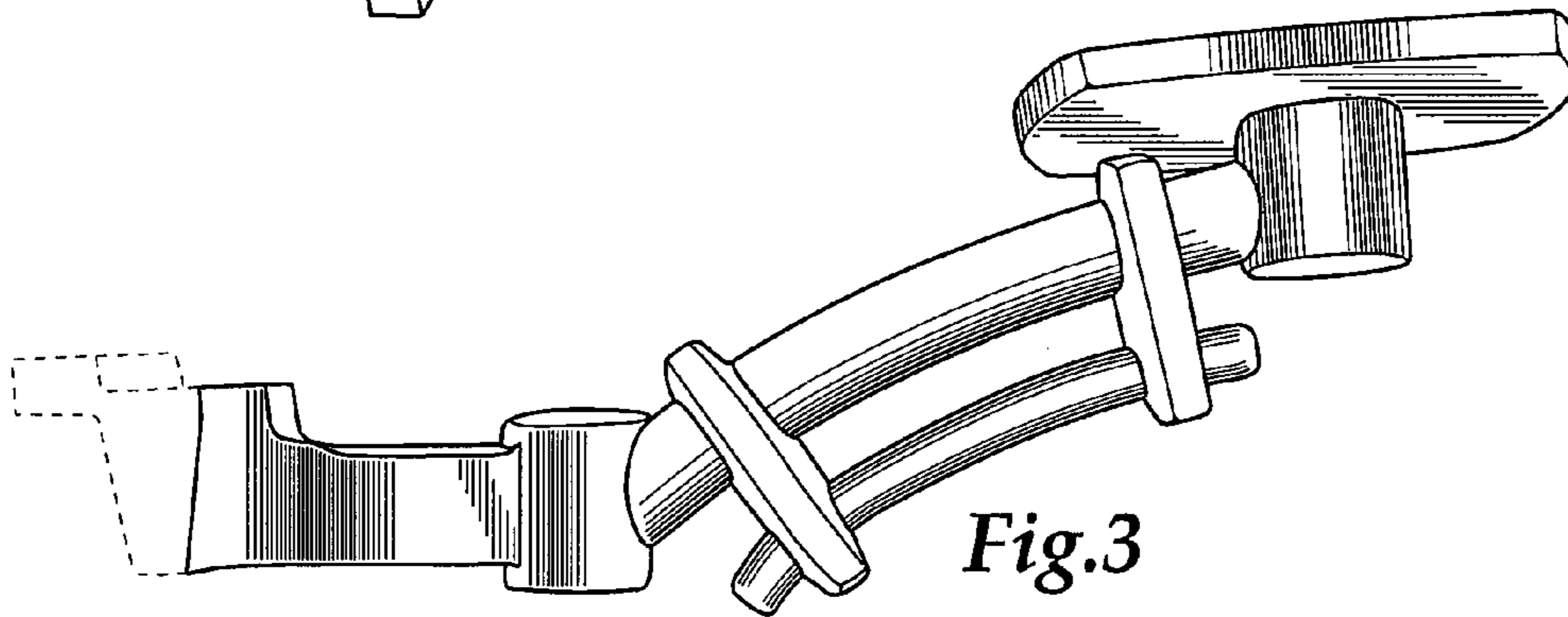


Fig.3

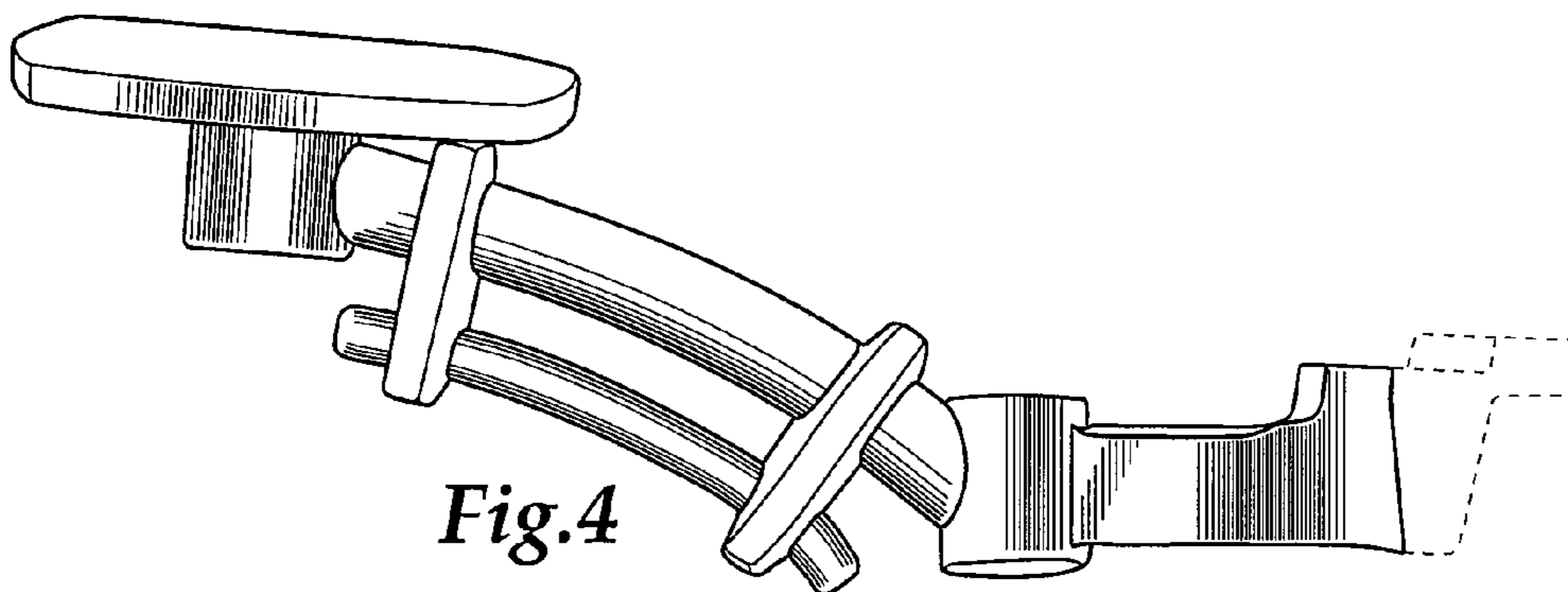


Fig.4

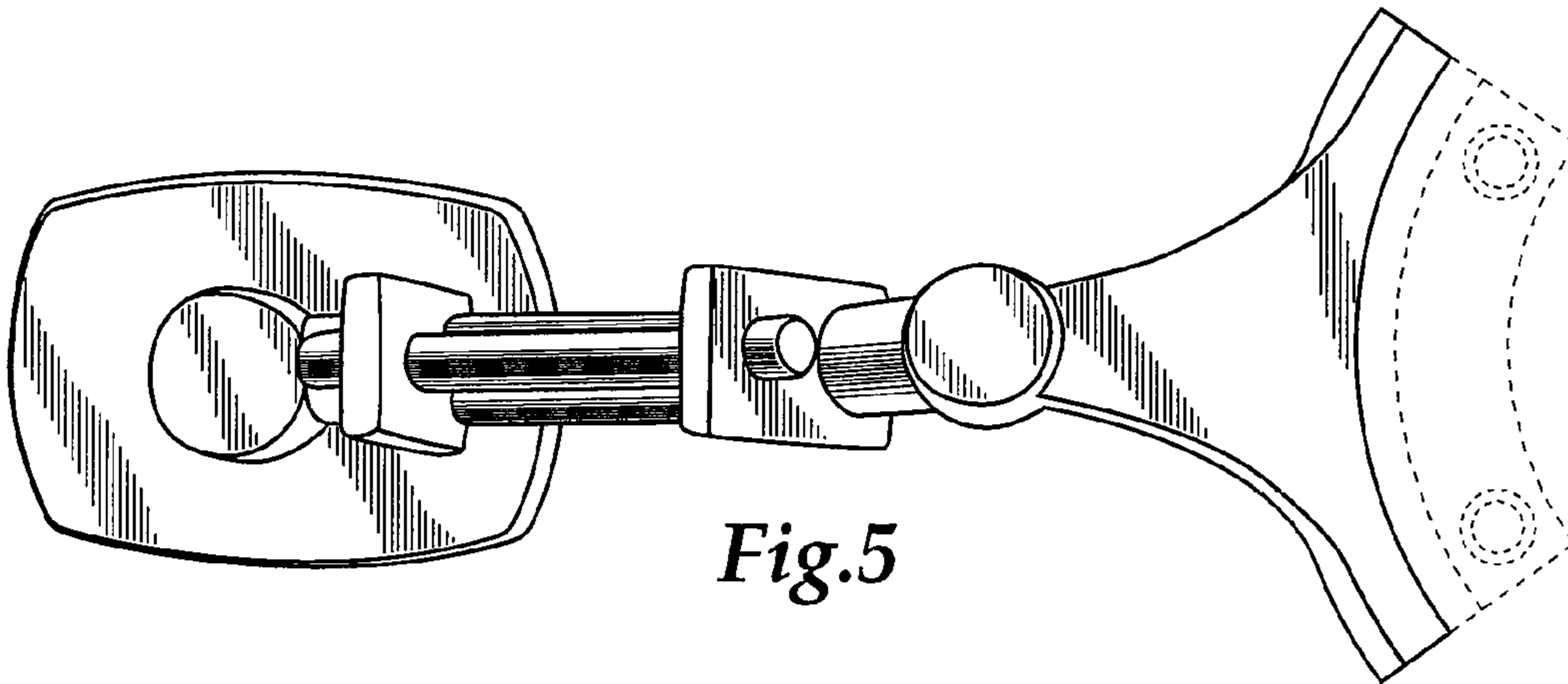


Fig.5

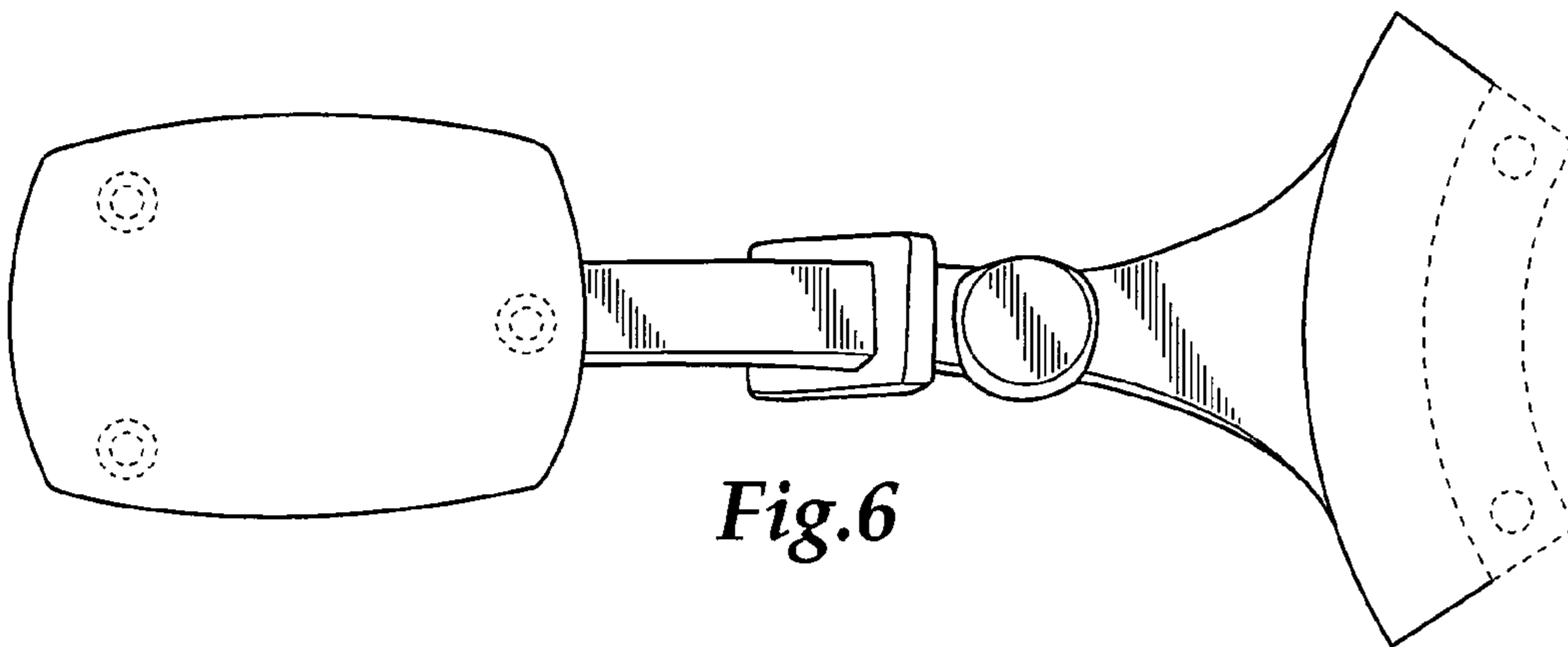


Fig.6

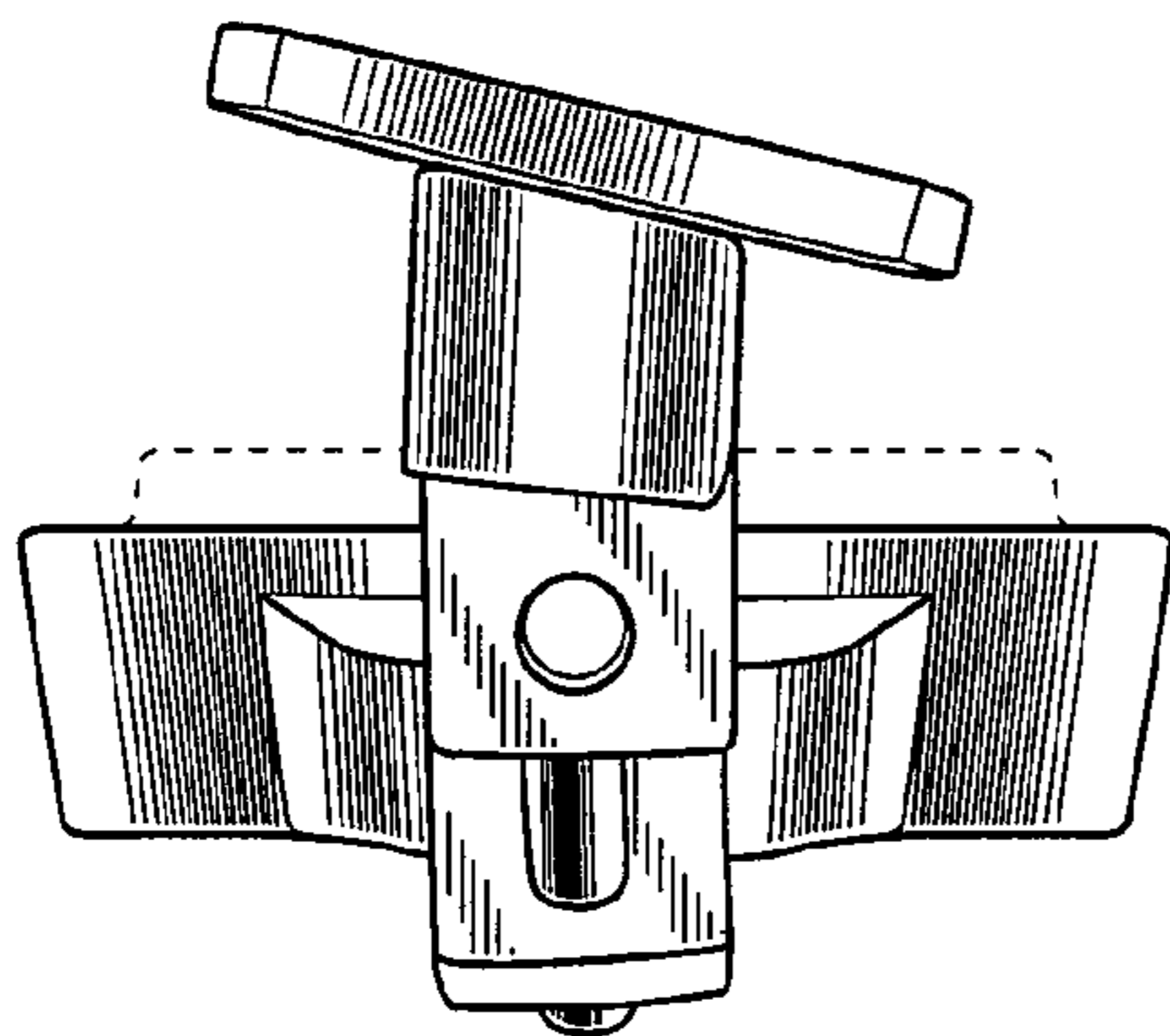


Fig.7

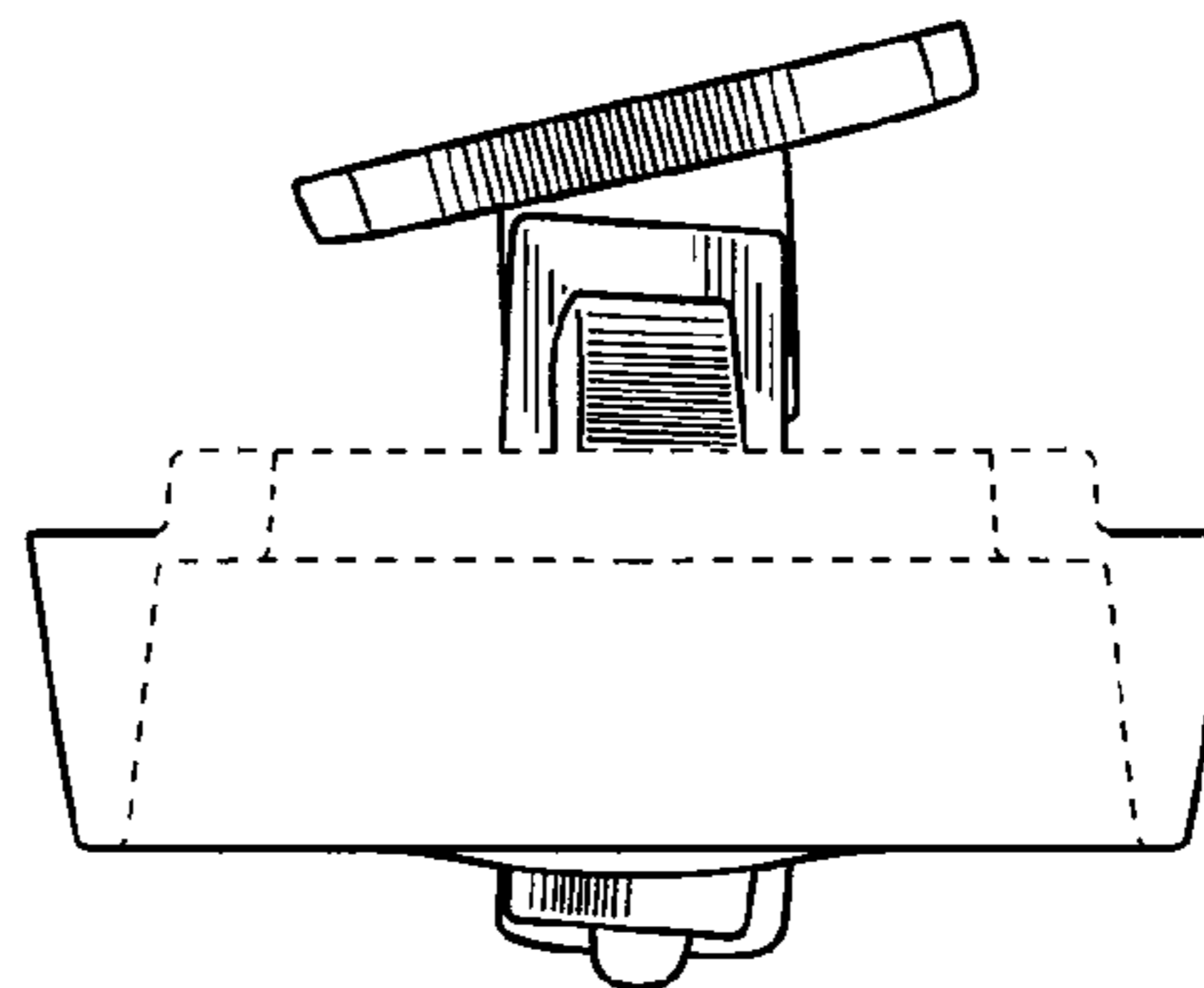


Fig.8