



US00D591843S

(12) **United States Design Patent**
Van Becelaere

(10) **Patent No.:** **US D591,843 S**
(45) **Date of Patent:** **** May 5, 2009**

(54) **SAND LOUVER**

(75) Inventor: **Robert M. Van Becelaere**, Lake Lotawana, MO (US)

(73) Assignee: **Ruskin Company**, Grandview, MO (US)

(**) Term: **14 Years**

(21) Appl. No.: **29/313,643**

(22) Filed: **Jan. 28, 2009**

(51) **LOC (9) Cl.** **23-04**

(52) **U.S. Cl.** **D23/386**

(58) **Field of Classification Search** D23/388,
D23/389, 393, 392, 385, 370, 351, 354, 386;
454/309, 275-277, 284, 287-291; D25/119,
D25/144; 55/440, 521, 497

See application file for complete search history.

(56) **References Cited**

U.S. PATENT DOCUMENTS

D194,410 S *	1/1963	Bishop	D23/388
D200,233 S *	2/1965	Bishop	D23/388
D218,036 S *	7/1970	Schirm	D23/386
3,849,095 A *	11/1974	Regehr	55/440
D254,506 S *	3/1980	Holmberg	D25/144
D263,738 S *	4/1982	Sixsmith	55/440

5,268,011 A *	12/1993	Wurz	55/440
D372,969 S *	8/1996	Hicks	D23/393
5,670,238 A *	9/1997	Earl et al.	55/521
6,000,685 A *	12/1999	Groten et al.	55/521
6,149,515 A *	11/2000	Van Becelaere	454/277
7,112,255 B2 *	9/2006	Choi et al.	55/497
7,377,963 B2 *	5/2008	Tanahashi et al.	55/497

* cited by examiner

Primary Examiner—T. Chase Nelson

Assistant Examiner—David G Muller

(74) *Attorney, Agent, or Firm*—J. A. Thurnau, Esq.; J. L. Mahurin, Esq.; P. N. Dunlap, Esq.

(57) **CLAIM**

The ornamental design for a sand louver, as shown and described.

DESCRIPTION

FIG. 1 is a perspective view.

FIG. 2 is a side view of FIG. 1.

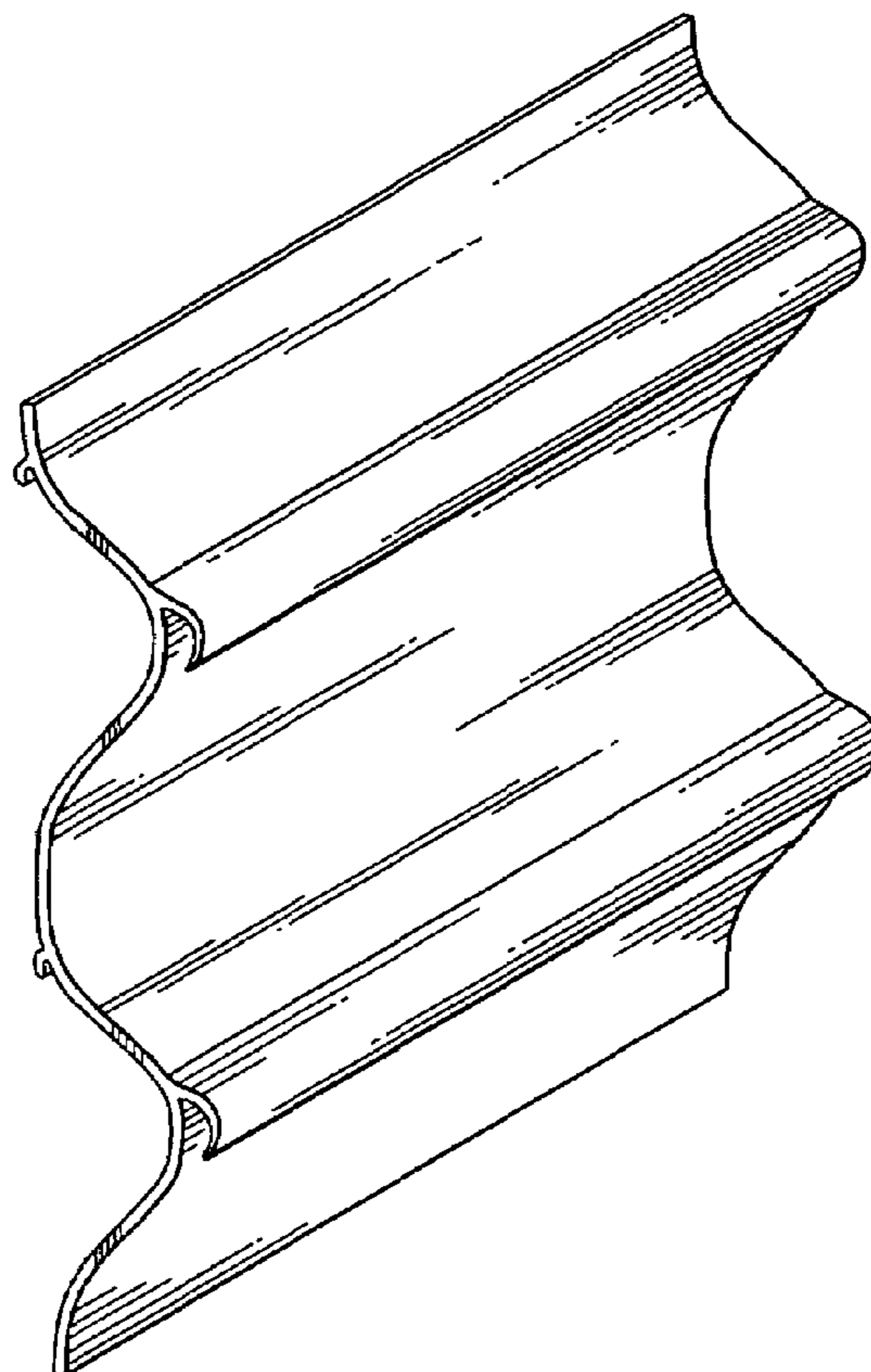
FIG. 3 is a rear elevation view.

FIG. 4 is a front elevation view.

FIG. 5 is a bottom plan view; and,

FIG. 6 is a top plan view.

1 Claim, 2 Drawing Sheets



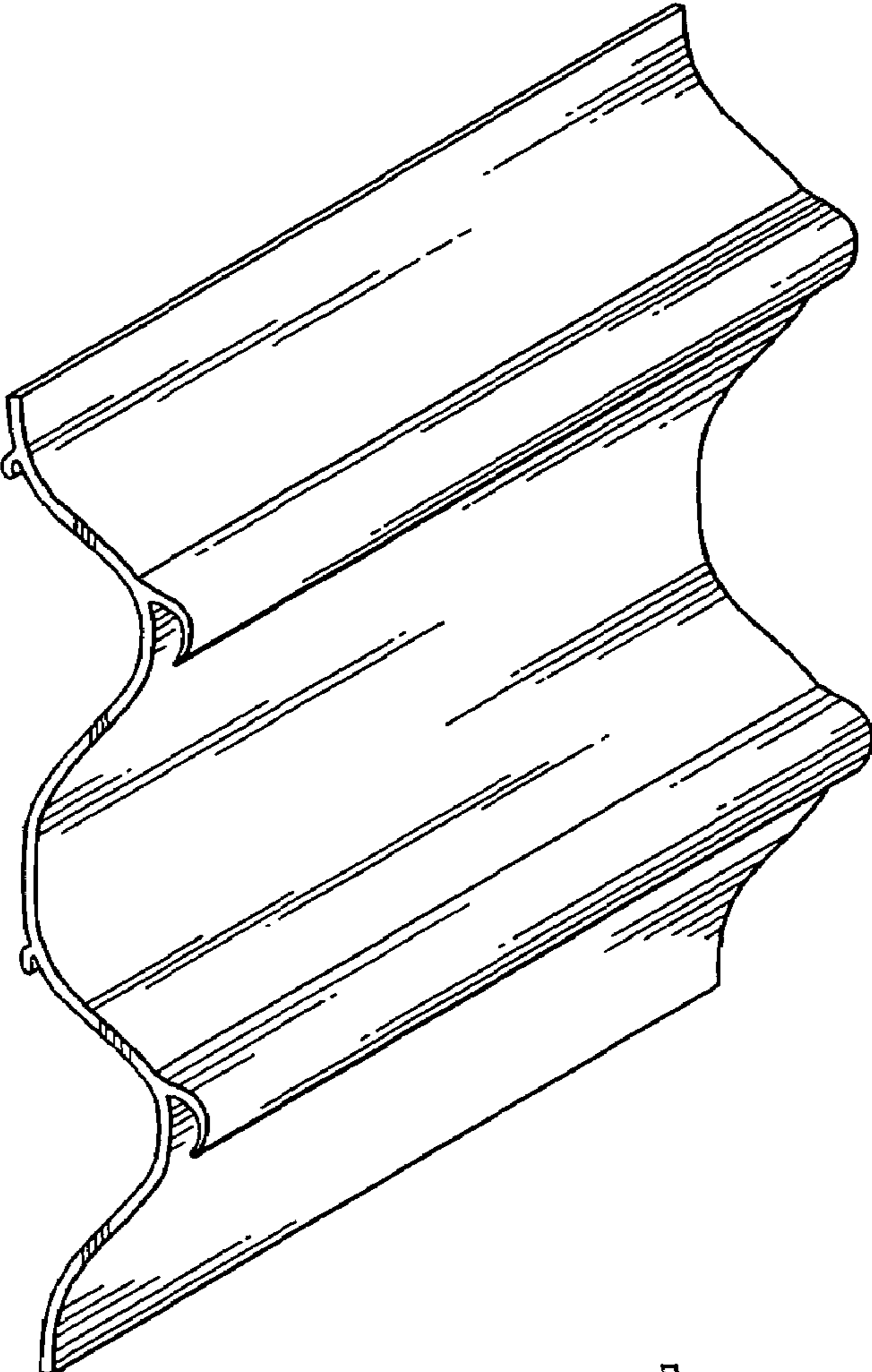


FIG. 1

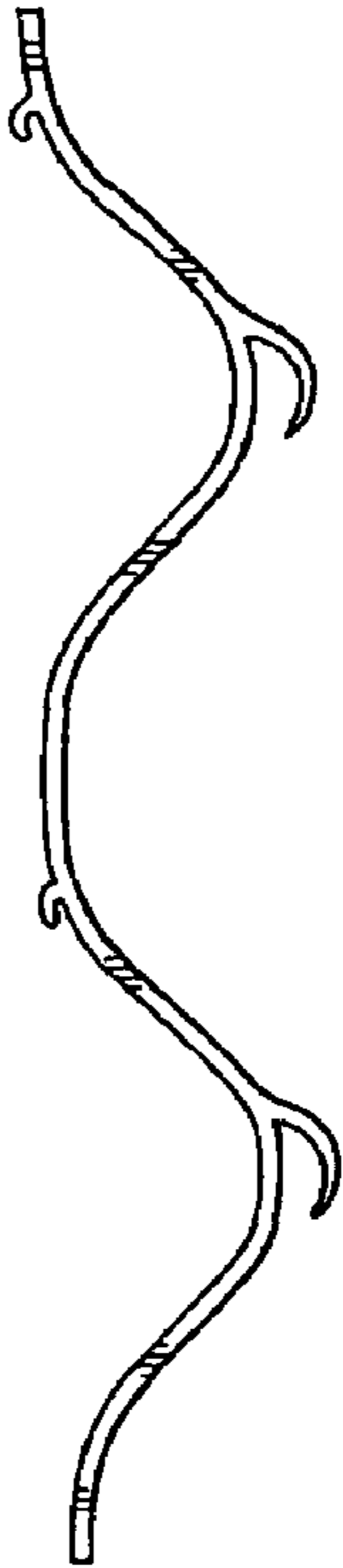


FIG. 2



FIG. 3

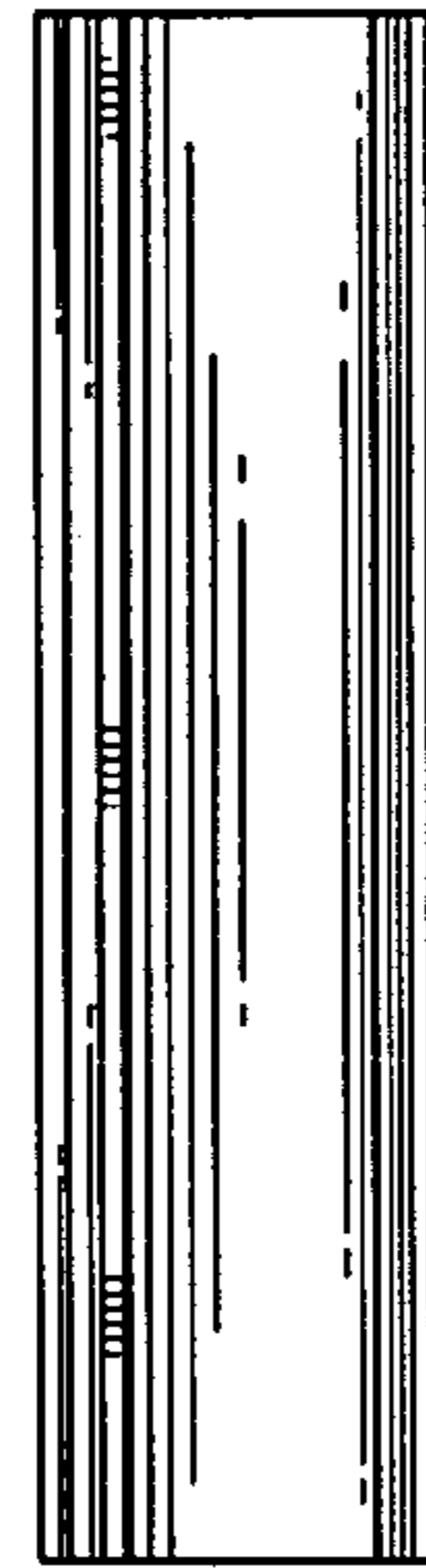


FIG. 4

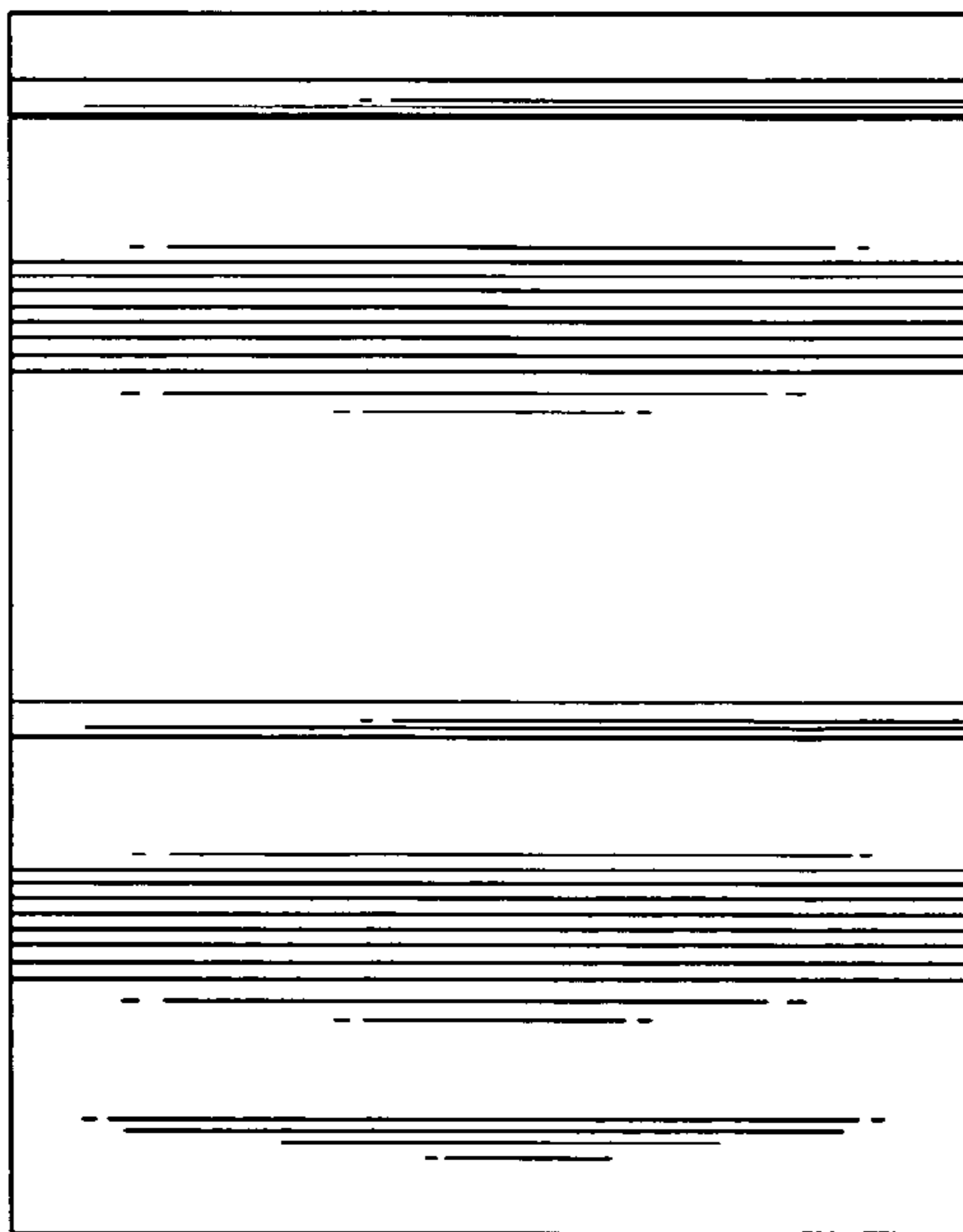


FIG. 5

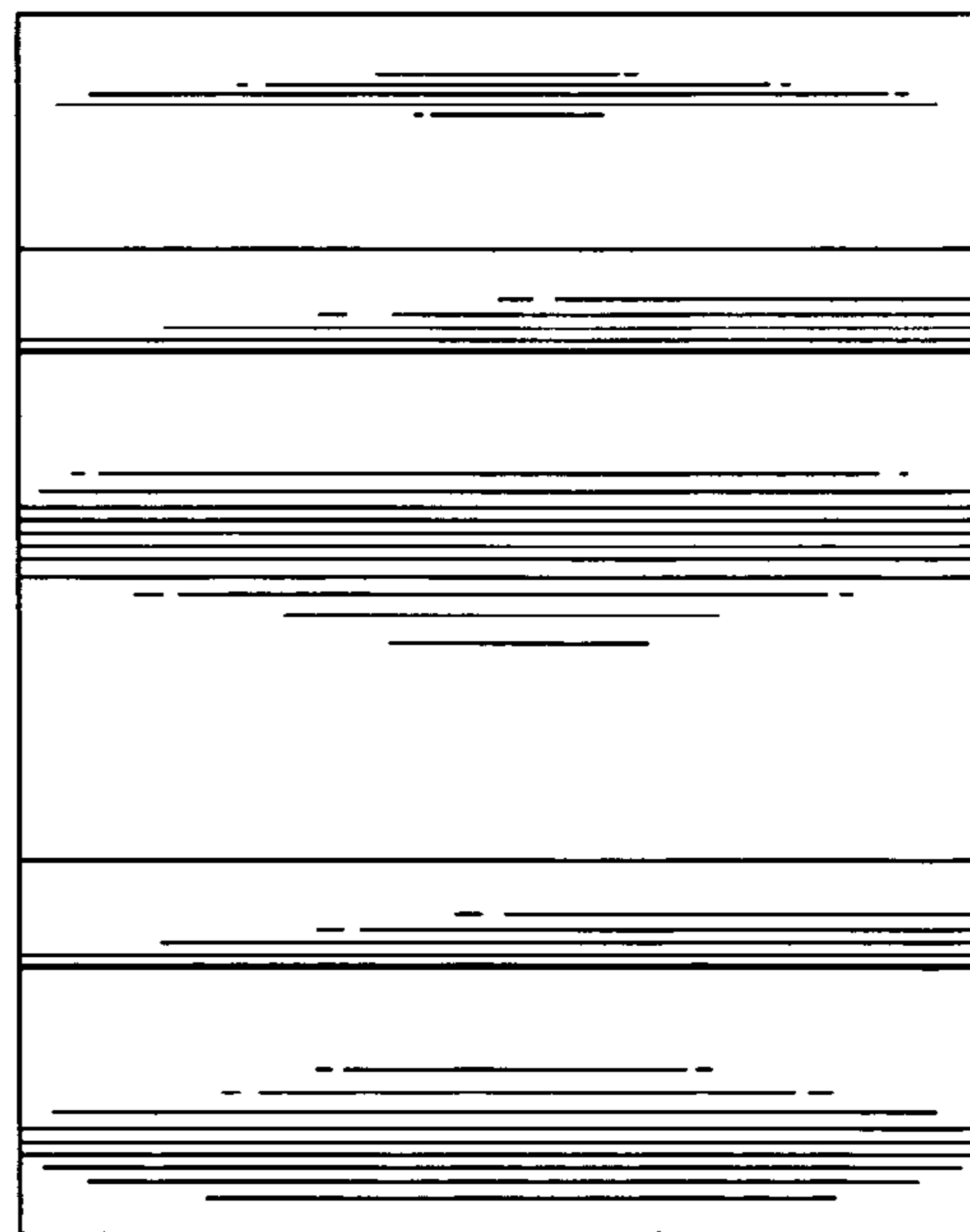


FIG. 6