



US00D591842S

(12) **United States Design Patent**
Young

(10) **Patent No.:** **US D591,842 S**

(45) **Date of Patent:** **** May 5, 2009**

(54) **PATIO UMBRELLA FAN**

(75) Inventor: **Stanfield Young**, Los Alamitos, CA (US)

(73) Assignee: **Minka Lighting, Inc.**, Corona, CA (US)

(**) Term: **14 Years**

(21) Appl. No.: **29/299,686**

(22) Filed: **Jan. 2, 2008**

(51) **LOC (9) Cl.** **23-04**

(52) **U.S. Cl.** **D23/380**

(58) **Field of Classification Search** D23/380,
D23/370, 381, 382, 335–336, 378; 416/246,
416/247 R

See application file for complete search history.

(56) **References Cited**

U.S. PATENT DOCUMENTS

D101,740 S *	10/1936	Kirsch	D23/380
3,052,400 A	9/1962	Holpfer		
D352,105 S *	11/1994	Chen	D23/380
5,558,501 A	9/1996	Wang et al.		
5,868,152 A	2/1999	Brown		
D409,369 S	5/1999	Vega		
RE36,514 E	1/2000	Clark		
6,230,723 B1	5/2001	Hixson		
6,325,084 B1	12/2001	Cohen		
6,691,721 B2	2/2004	Apple		
6,732,752 B2	5/2004	Cohen et al.		
6,796,318 B2	9/2004	Cohen et al.		
6,821,089 B2	11/2004	Bilskie		
6,840,742 B2	1/2005	Cohen et al.		

* cited by examiner

Primary Examiner—Lisa P Lichtenstein

(74) *Attorney, Agent, or Firm*—Baker & McKenzie LLP

(57) **CLAIM**

The ornamental design for a patio umbrella fan, as shown and described.

DESCRIPTION

FIG. 1 is a bottom perspective view of a patio umbrella fan in accordance with my design;

FIG. 2 is a top perspective view of the patio umbrella fan in accordance with my design;

FIG. 3 is a side elevation view of the patio umbrella fan in accordance with my design;

FIG. 4 is an opposite side elevation view of the patio umbrella fan in accordance with my design;

FIG. 5 is a front elevation view of the patio umbrella fan in accordance with my design;

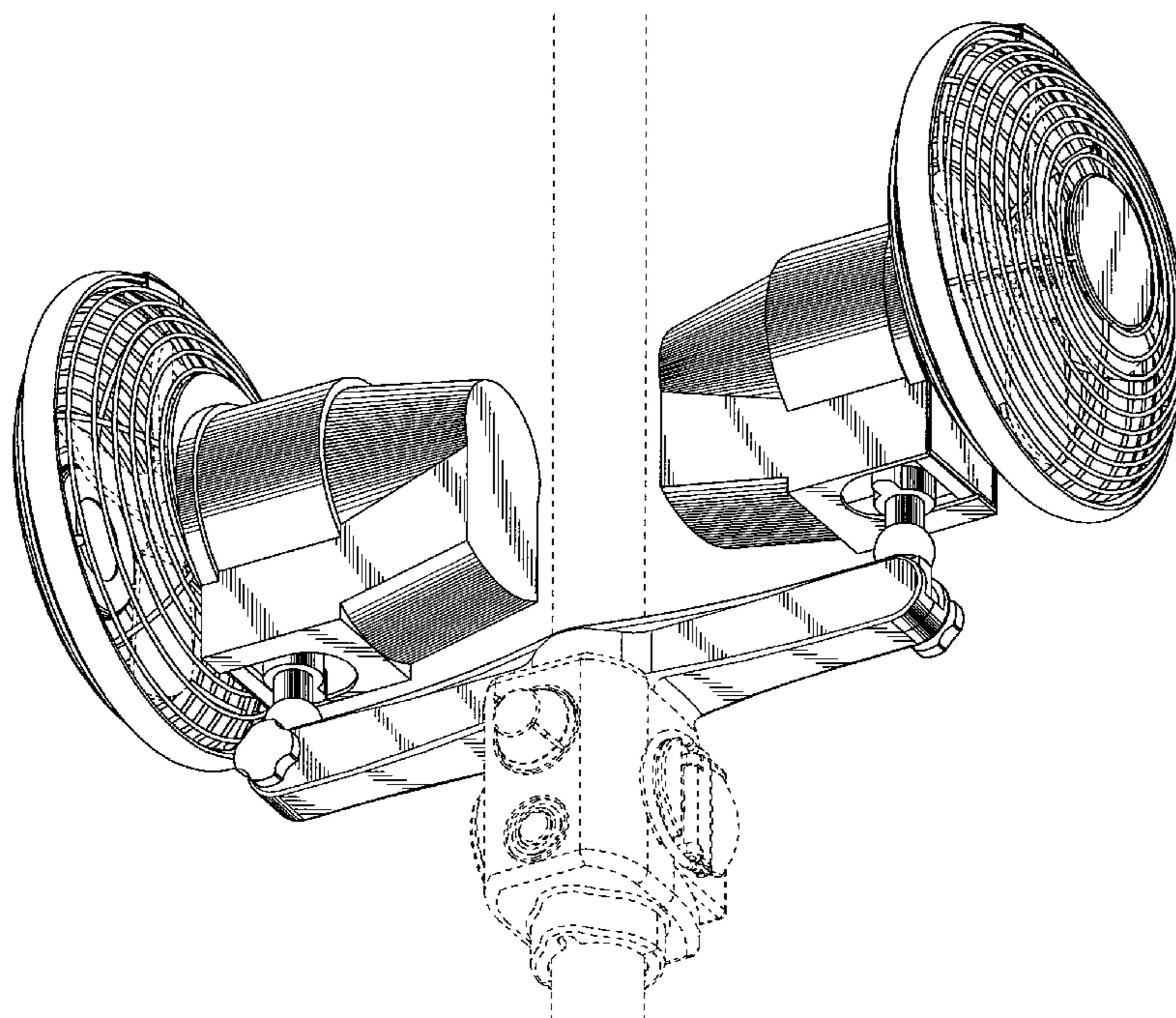
FIG. 6 is a back elevation view of the patio umbrella fan in accordance with my design;

FIG. 7 is a top plan view of the patio umbrella fan in accordance with my design; and,

FIG. 8 is a bottom plan view of the patio umbrella fan in accordance with my design.

The broken line showing the support pole and the control/attachment assembly for the patio umbrella fan is included for the purpose of illustrating environmental structure and forms no part of the claimed design.

1 Claim, 7 Drawing Sheets



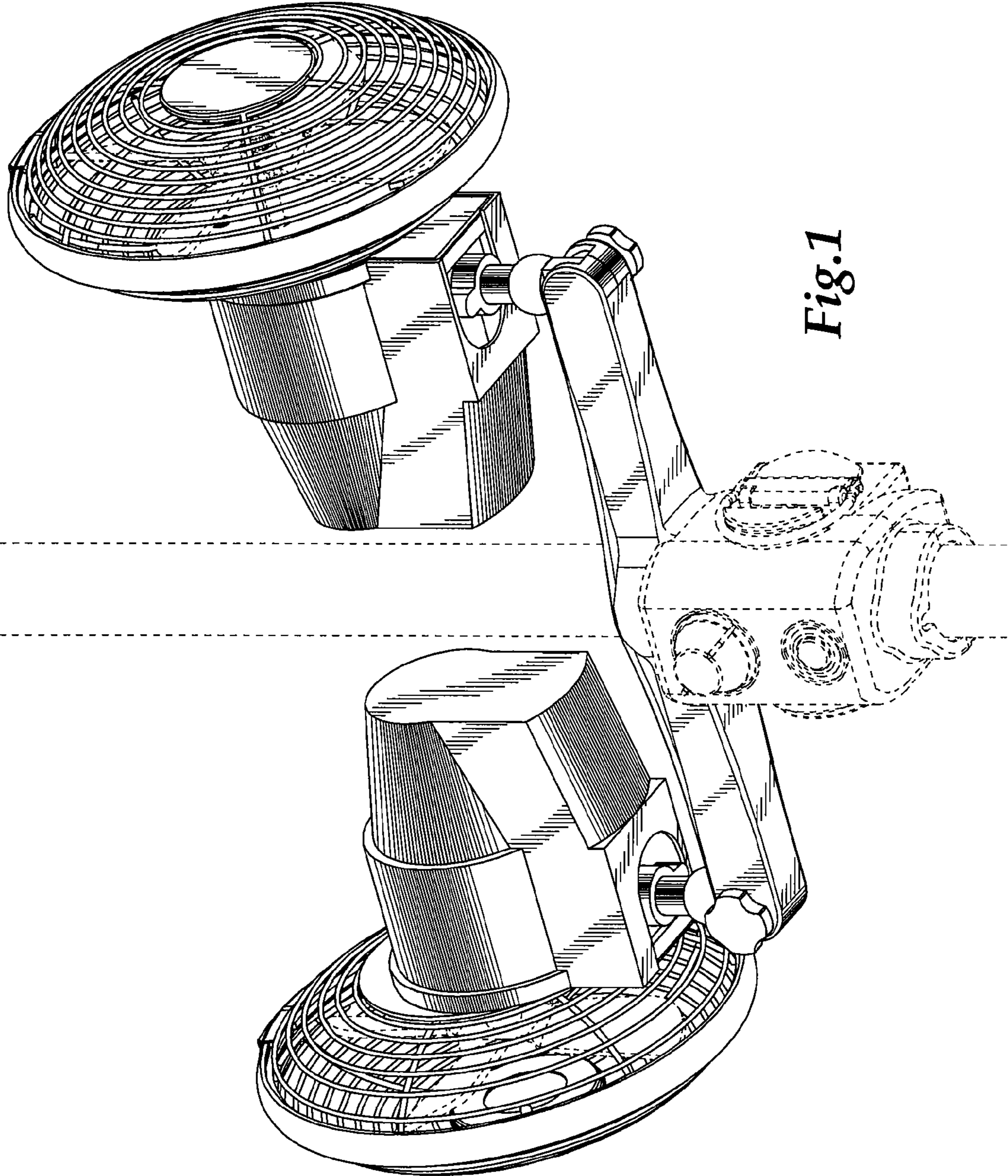


Fig.1

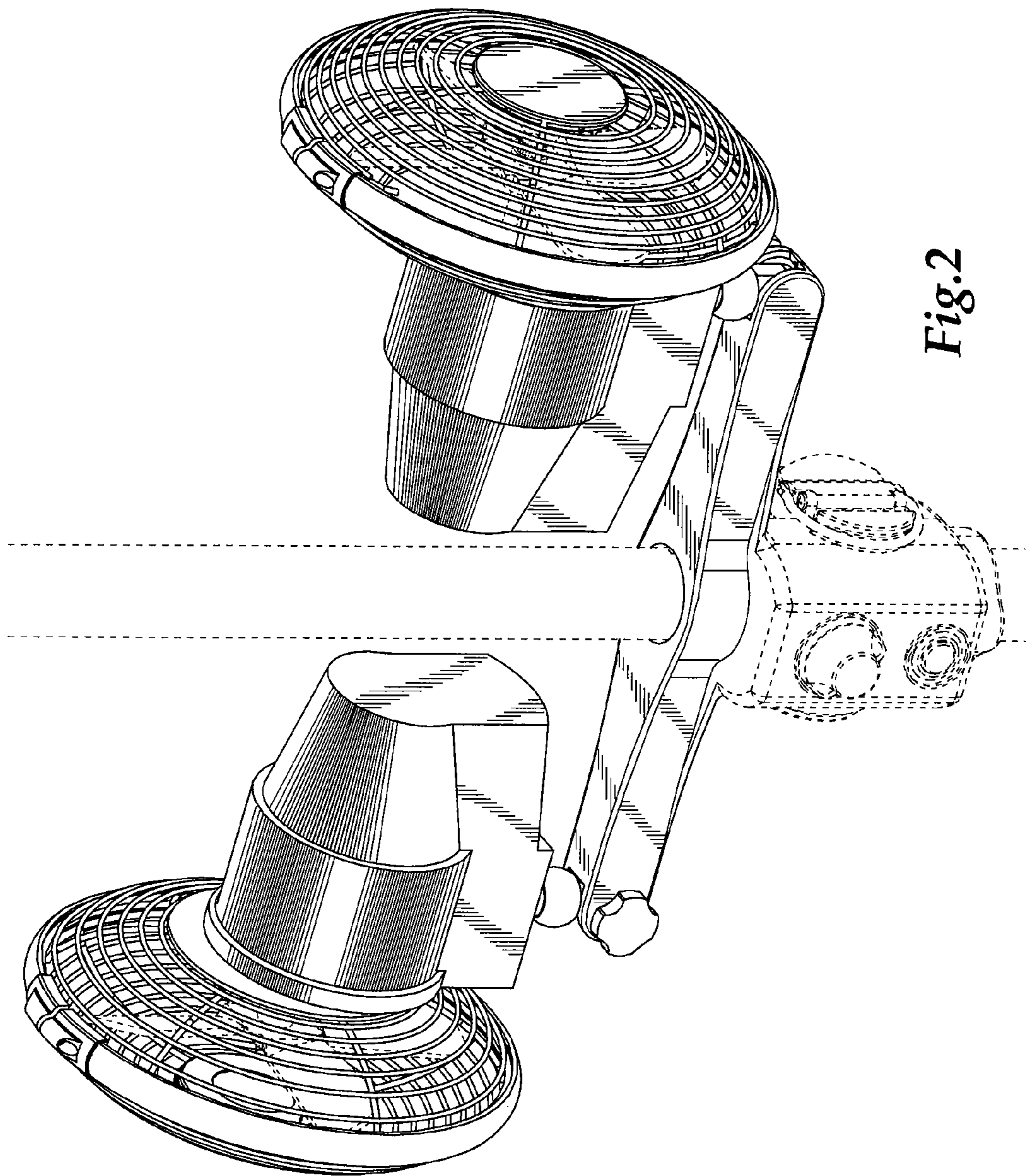
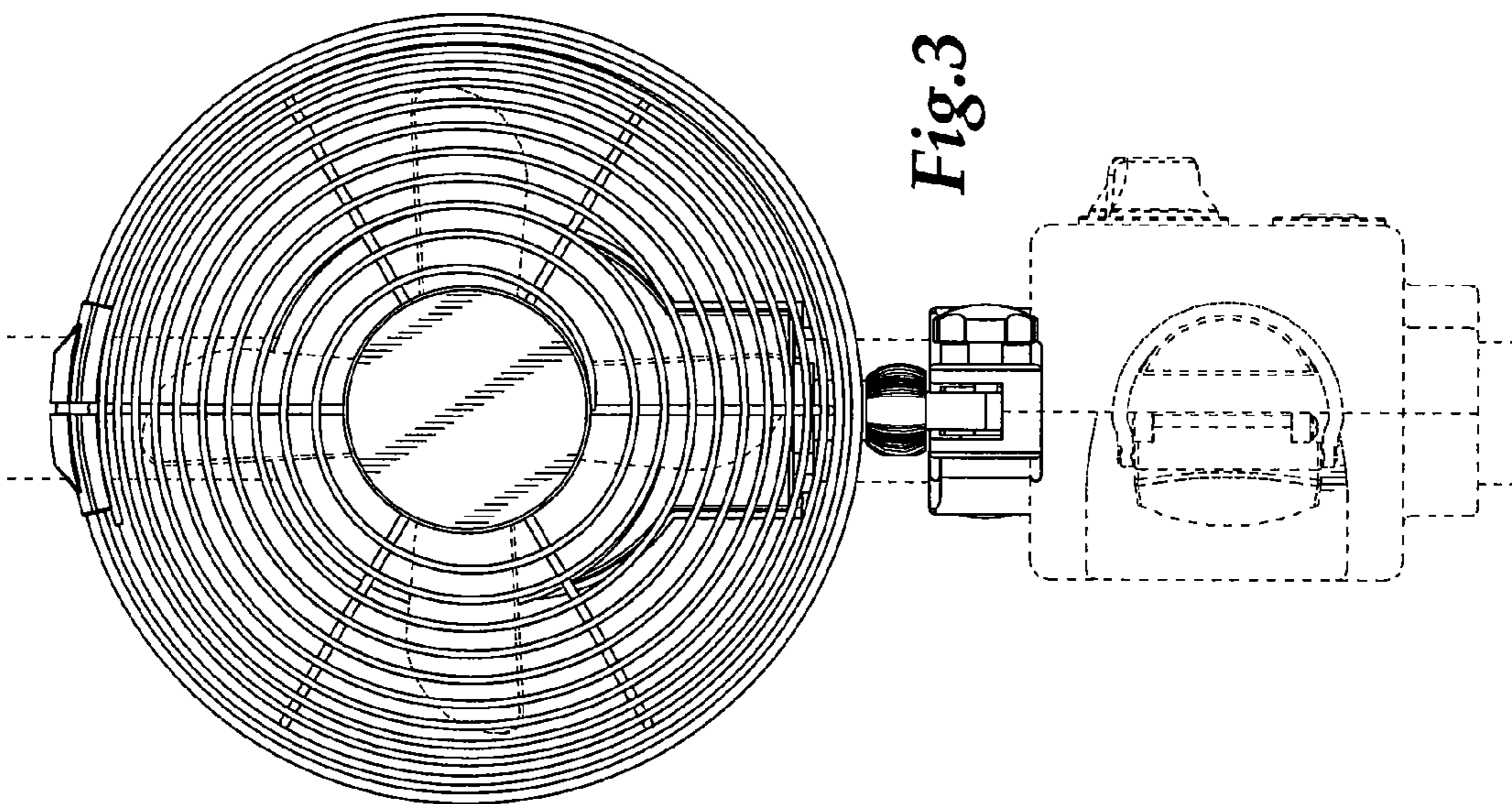
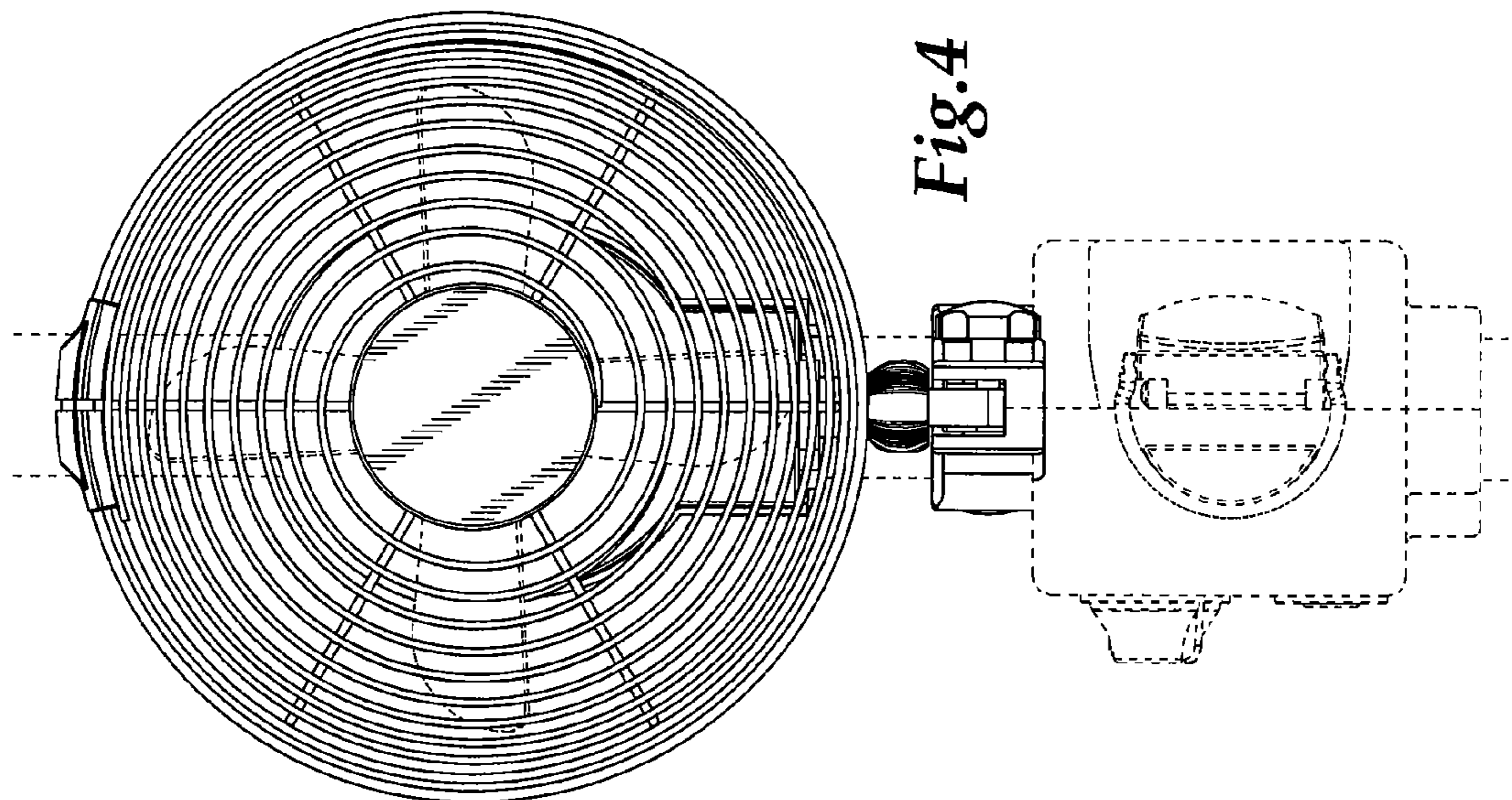


Fig. 2



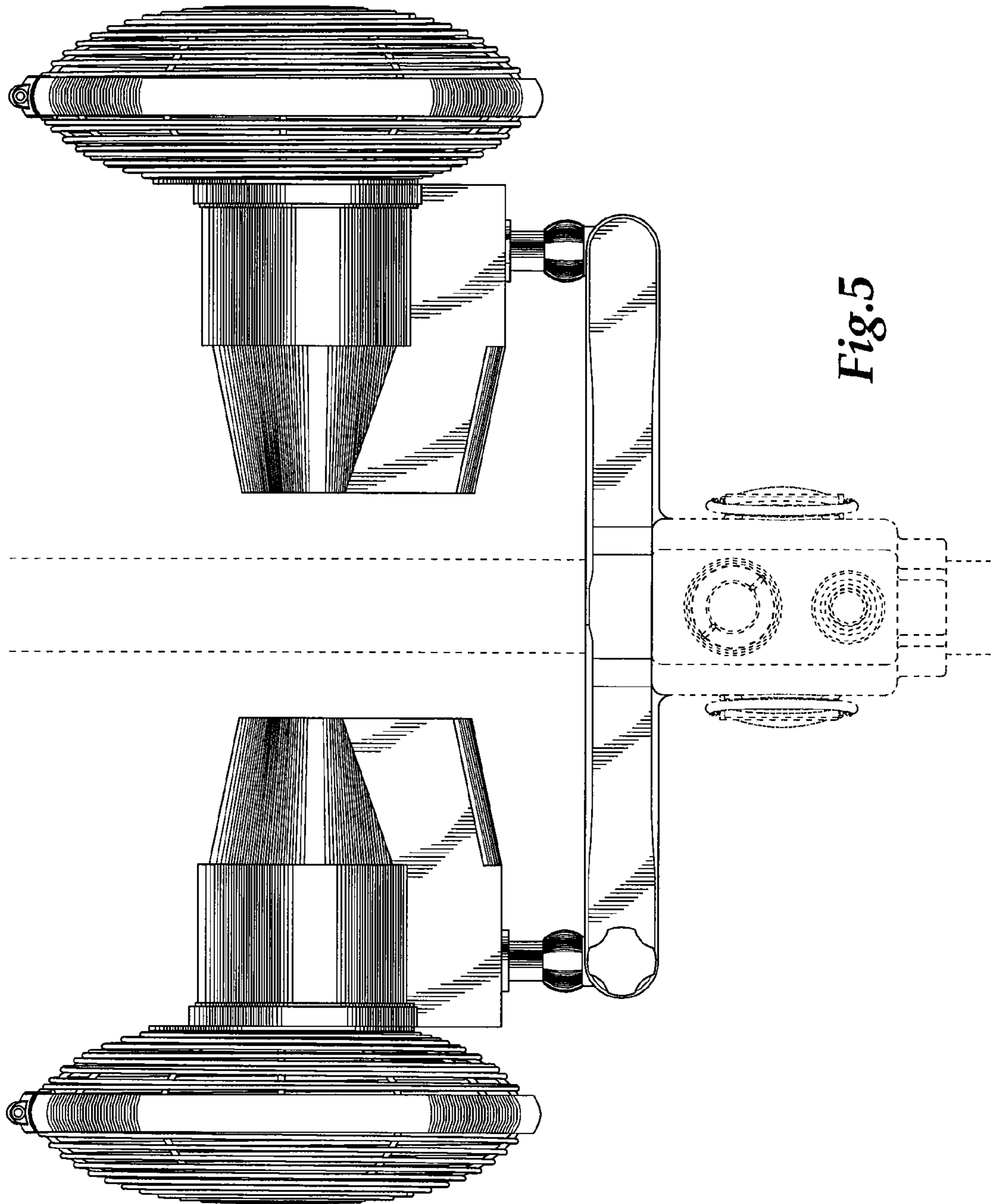
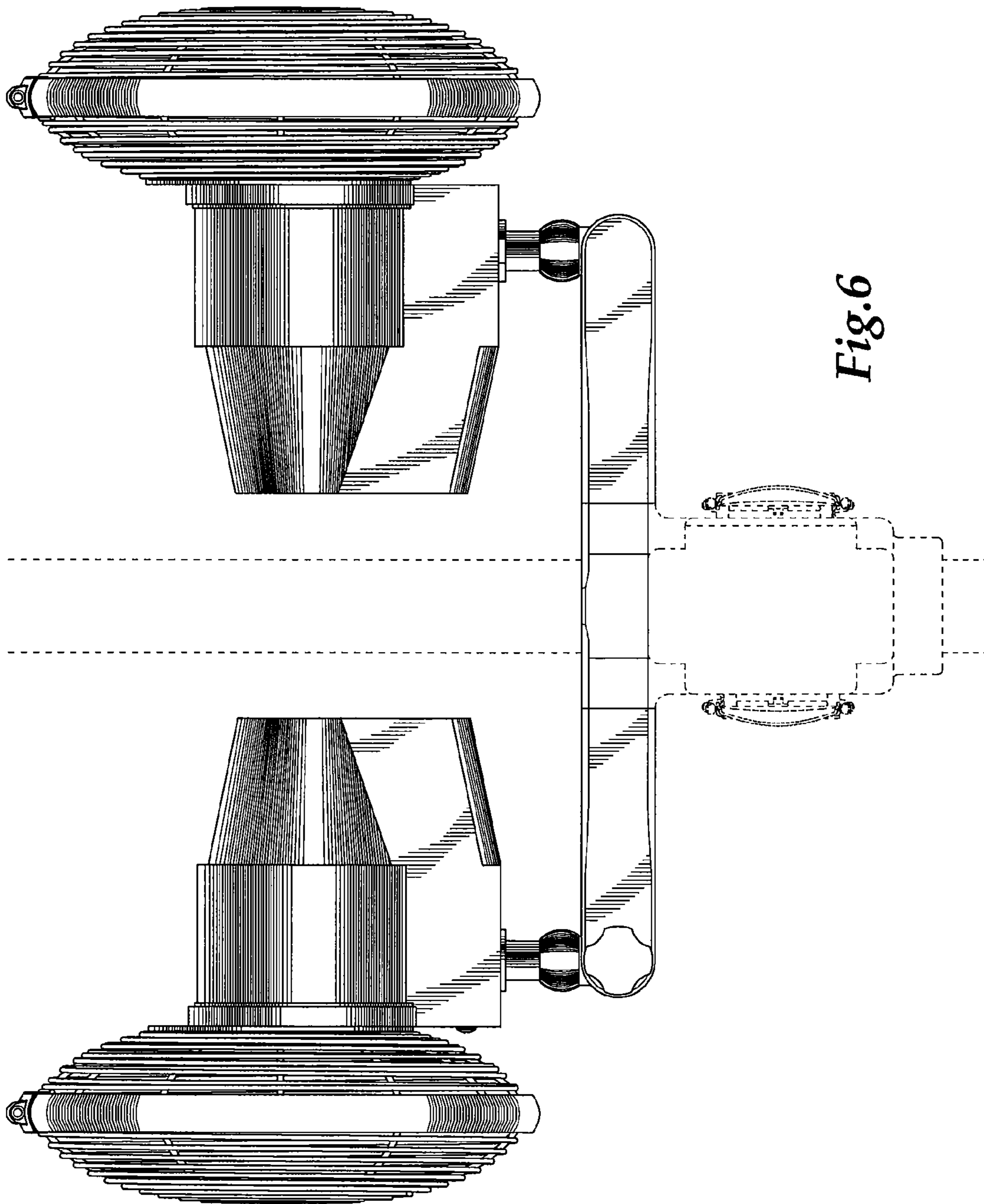


Fig.5



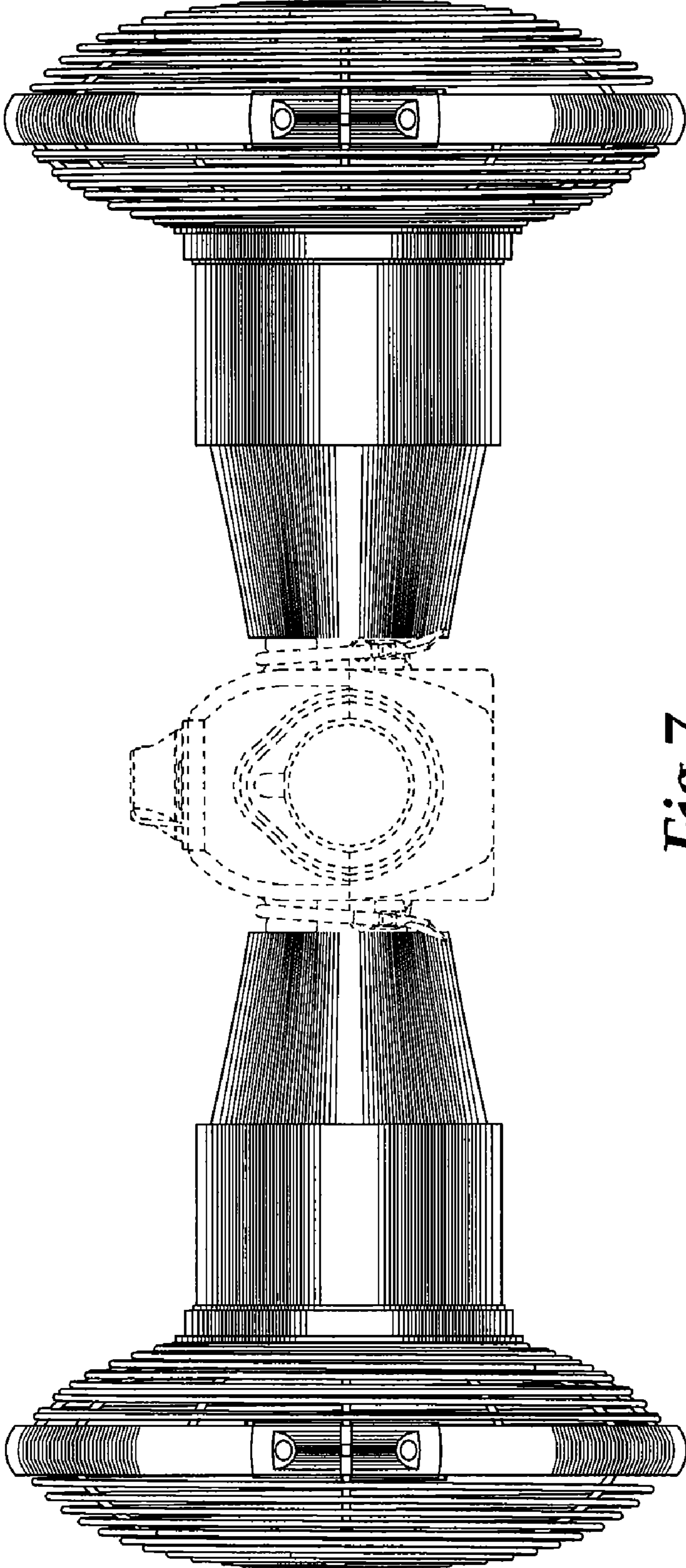


Fig. 7

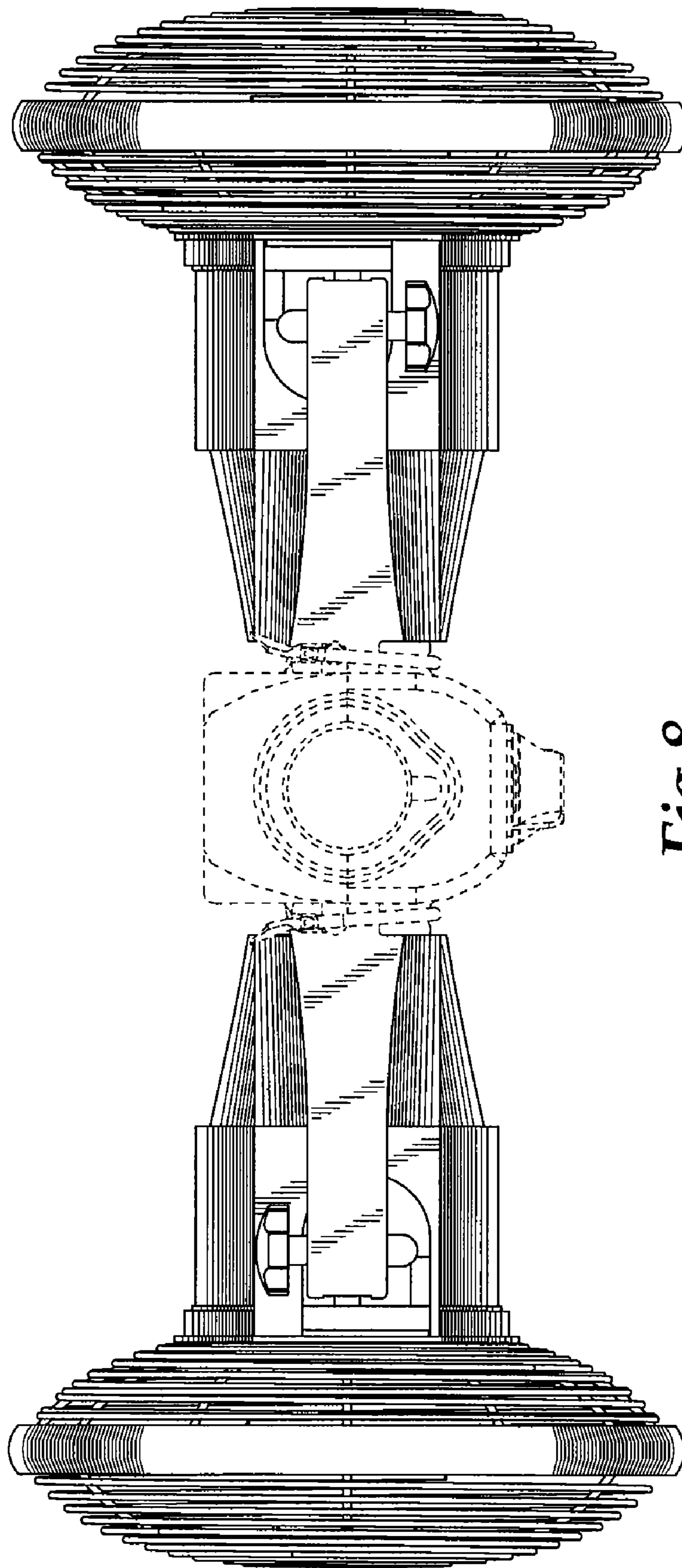


Fig.8