

US00D591839S

(12) **United States Design Patent**
Loberger et al.

(10) **Patent No.:** **US D591,839 S**

(45) **Date of Patent:** **** May 5, 2009**

(54) **LAVATORY SYSTEM**

(75) Inventors: **John M. Loberger**, Germantown, WI (US); **Graeme S. Bayley**, Brookfield, WI (US)

(73) Assignee: **Bradley Fixtures Corporation**, Menomonee Falls, WI (US)

(**) Term: **14 Years**

(21) Appl. No.: **29/312,213**

(22) Filed: **Mar. 2, 2007**

Related U.S. Application Data

(60) Division of application No. 29/264,923, filed on Aug. 22, 2006, now Pat. No. Des. 539,400, which is a division of application No. 29/240,011, filed on Jul. 1, 2005, now Pat. No. Des. 527,085, which is a continuation of application No. 29/211,613, filed on Aug. 18, 2004, now Pat. No. Des. 511,821.

(51) **LOC (9) Cl.** **23-02**

(52) **U.S. Cl.** **D23/308**

(58) **Field of Classification Search** D23/270–273, D23/286–290, 303, 308; 4/662–665, 630–631, 4/637–643, 661; D6/511, 422, 483; 108/50.01
See application file for complete search history.

(56) **References Cited**

U.S. PATENT DOCUMENTS

D30,135 S	2/1899	Peet
D36,127 S	10/1902	Madden
D36,575 S	10/1903	Zipp
D36,595 S	10/1903	Peet
D74,016 S	12/1927	Levien
D83,354 S	2/1931	Schott
D132,243 S	4/1942	Pressman
D134,727 S	1/1943	Weber

(Continued)

OTHER PUBLICATIONS

Bradley Corporation, The Bradley Express Lavatory System, bearing a designation “© 1996 Bradley Corporation”.

Bradley Corporation, Crescent® and Image® Lavatory System, bearing a designation “1999newproducts”.

Bradley Corporation, Frequency Lavatory System, bearing a designation “© Bradley Corp 2003”.

Bradley Corporation, Plumbing Fixtures, bearing a designation “2001”.

Primary Examiner—Robert A Delehanty

(74) *Attorney, Agent, or Firm*—Foley & Lardner LLP

(57) **CLAIM**

We claim the ornamental design for a lavatory system, as shown and described.

DESCRIPTION

FIG. 1 is a perspective view of a lavatory system according to an exemplary embodiment.

FIG. 2 is a top view of the lavatory system of FIG. 1.

FIG. 3 is a front view of the lavatory system of FIG. 1.

FIG. 4 is a rear view of the lavatory system of FIG. 1.

FIG. 5 is a bottom view of the lavatory system of FIG. 1.

FIG. 6 is a left side view of the lavatory system of FIG. 1.

FIG. 7 is a right side view of the lavatory system of FIG. 1.

FIG. 8 is a perspective view of a lavatory system according to an exemplary embodiment.

FIG. 9 is a top view of the lavatory system of FIG. 8.

FIG. 10 is a front view of the lavatory system of FIG. 8.

FIG. 11 is a rear view of the lavatory system of FIG. 8.

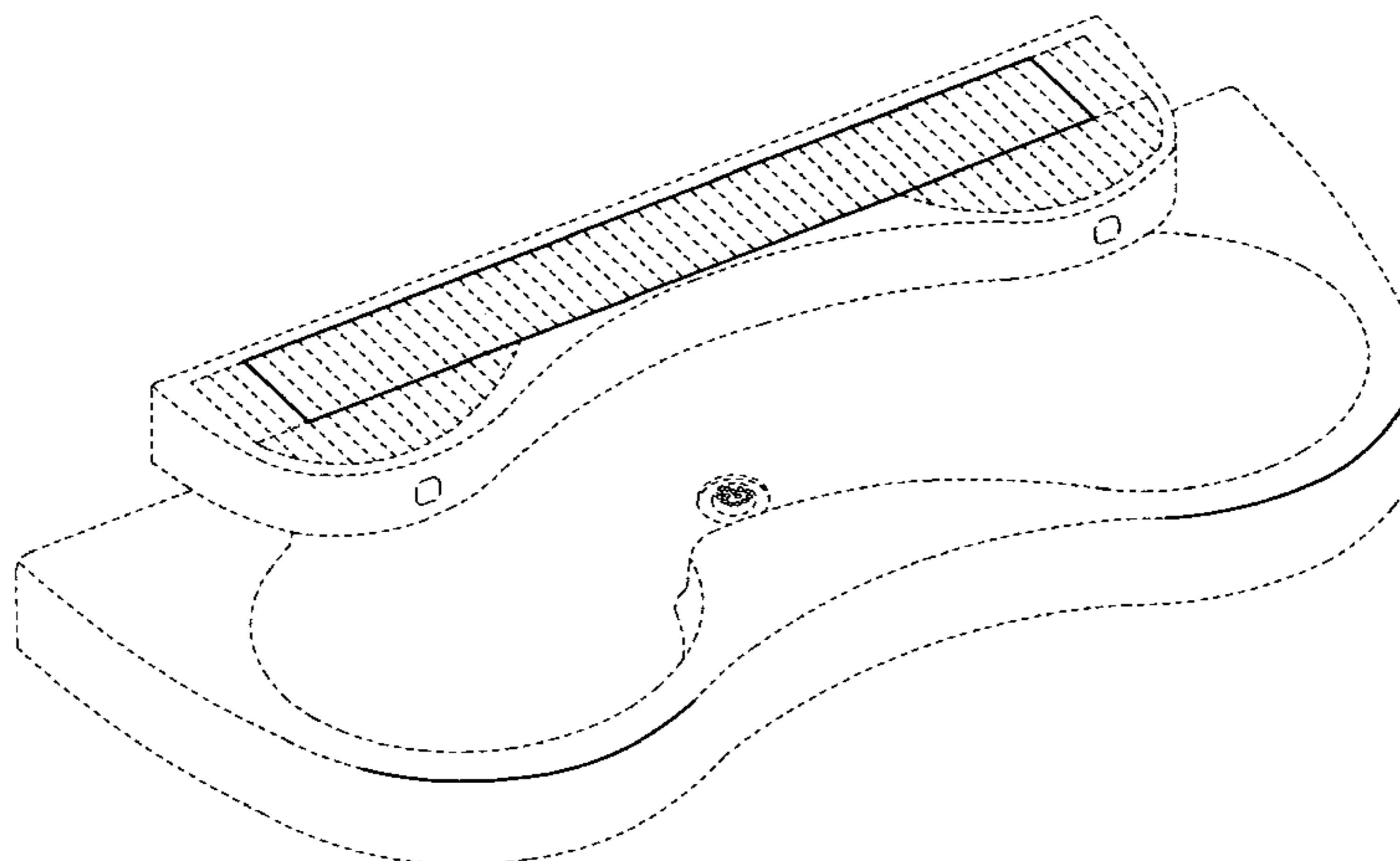
FIG. 12 is a bottom view of the lavatory system of FIG. 8.

FIG. 13 is a left side view of the lavatory system of FIG. 8; and,

FIG. 14 is a right side view of the lavatory system of FIG. 8.

The ornamental design which is claimed is shown in solid lines in the drawings. The broken lines in the drawings are for illustrative purposes only and form no part of the claimed design.

1 Claim, 8 Drawing Sheets



US D591,839 S

Page 2

U.S. PATENT DOCUMENTS

2,558,443 A	6/1951	Krenov	5,704,298 A	1/1998	Corpuz, Jr. et al.
5,369,818 A	12/1994	Barnum et al.	5,765,315 A	6/1998	Nagamitsu et al.
D358,852 S	5/1995	Monneret	5,855,029 A	1/1999	Flippen, Sr.
5,611,093 A	3/1997	Barnum et al.	D477,060 S	7/2003	Loberger et al.
			D484,958 S	1/2004	Logerger et al.
			D496,450 S	9/2004	Loberger et al.

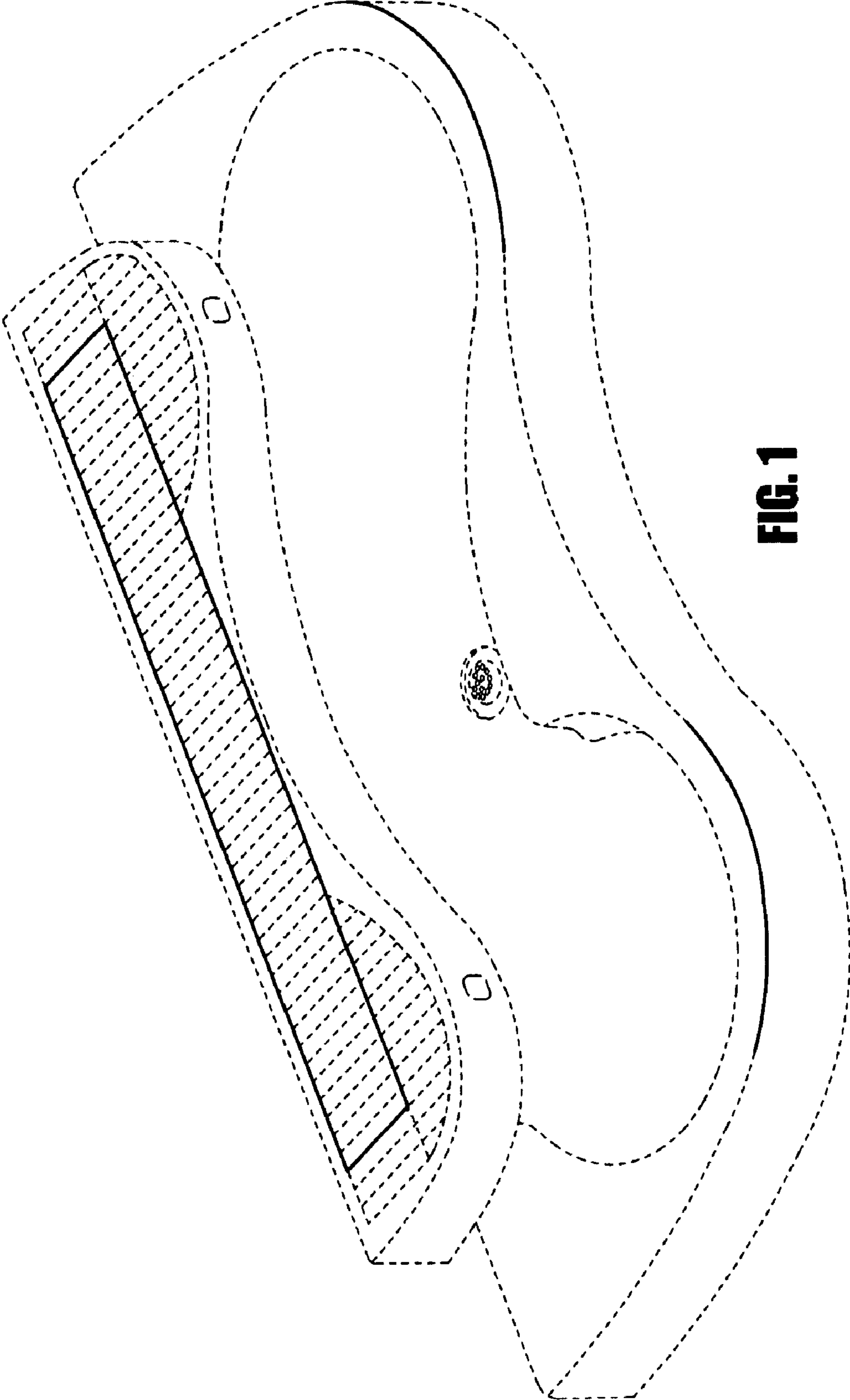


FIG. 1

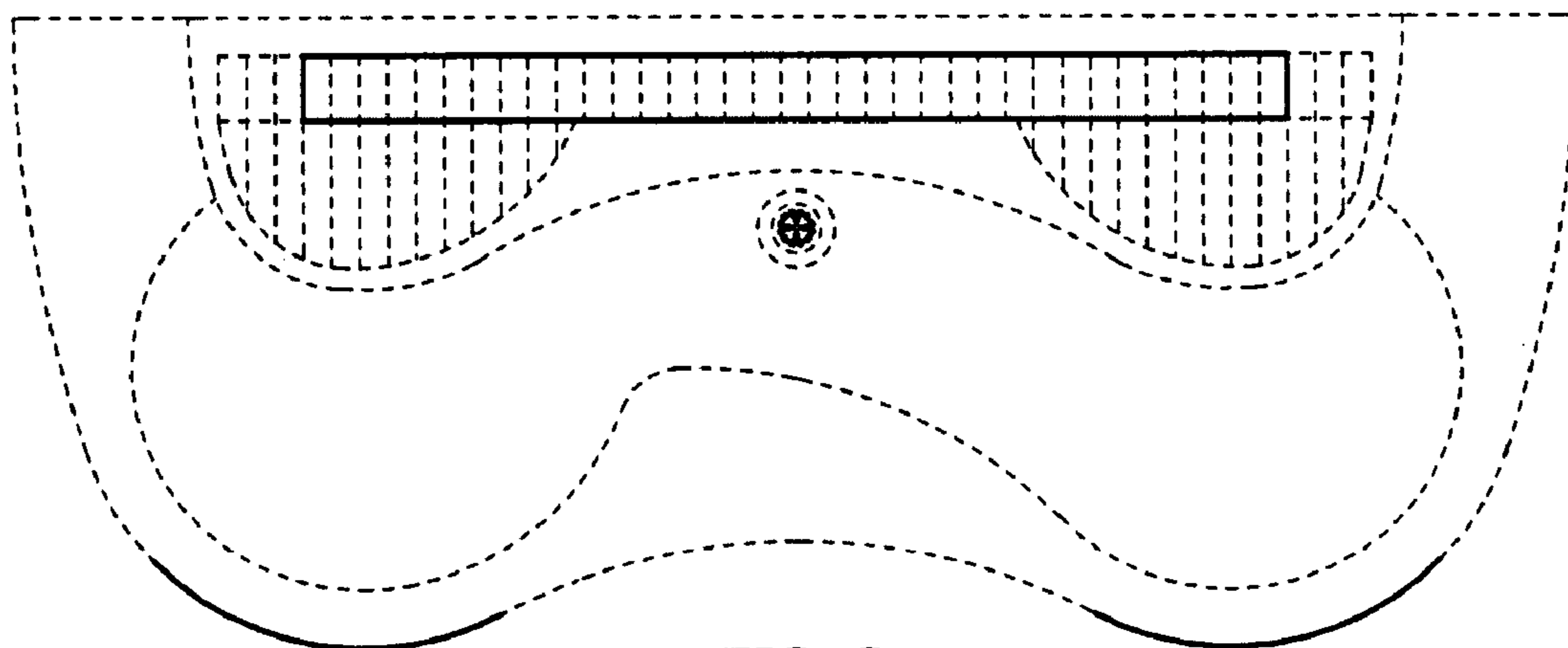


FIG. 2

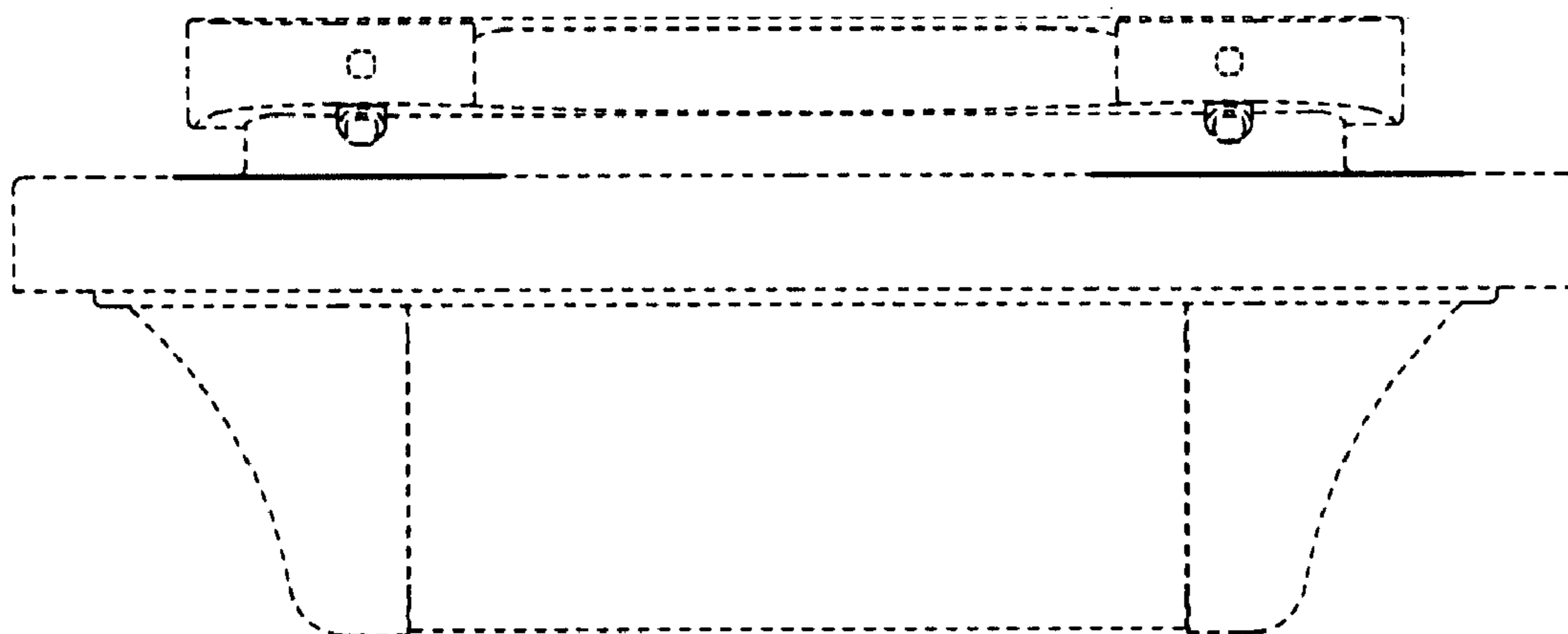


FIG. 3



FIG. 4

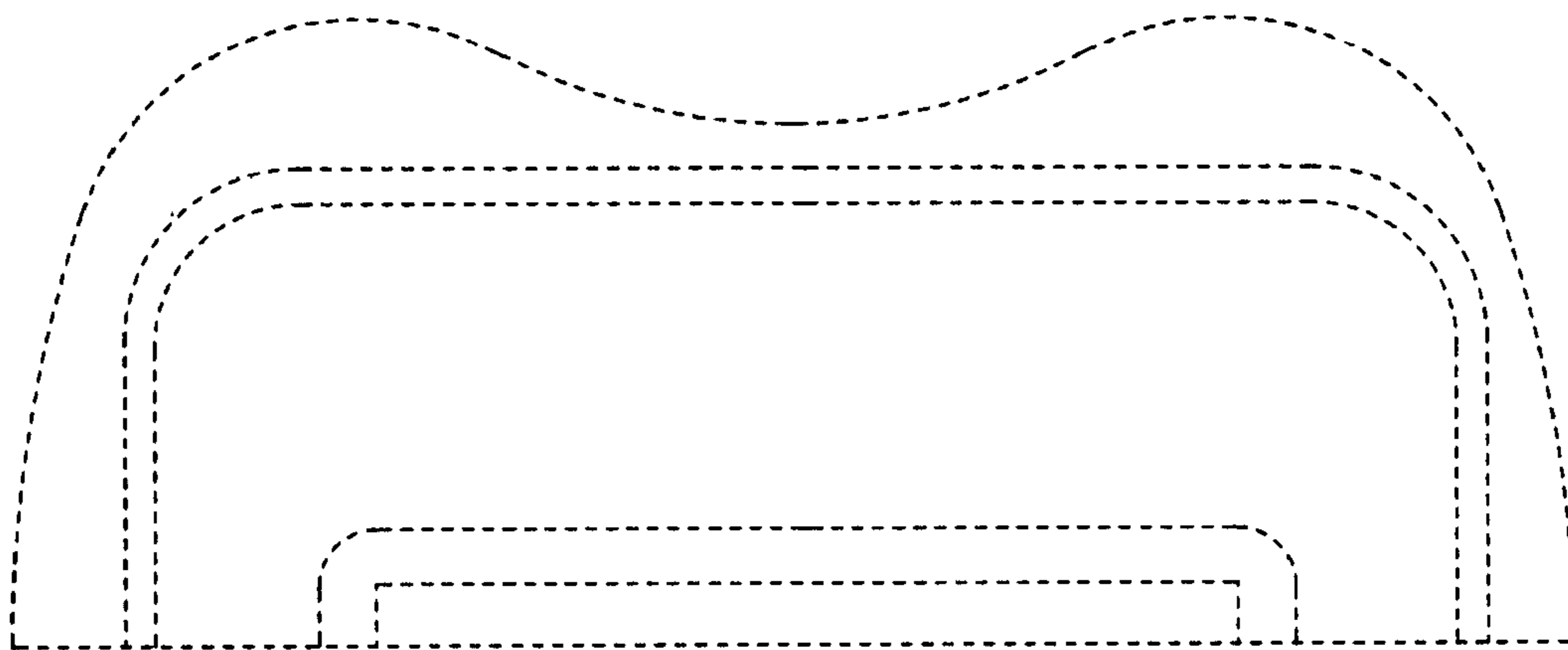


FIG. 5

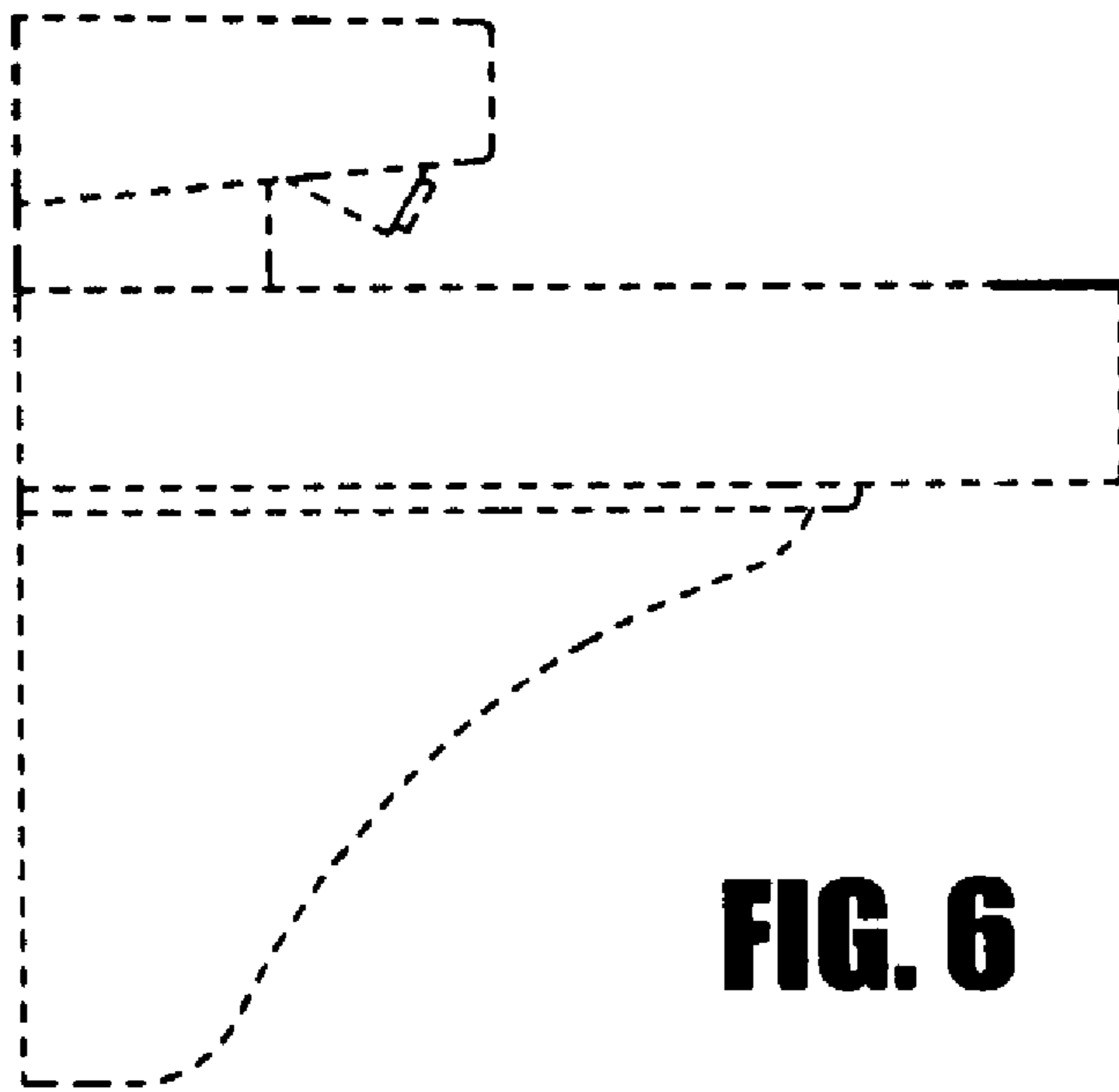


FIG. 6

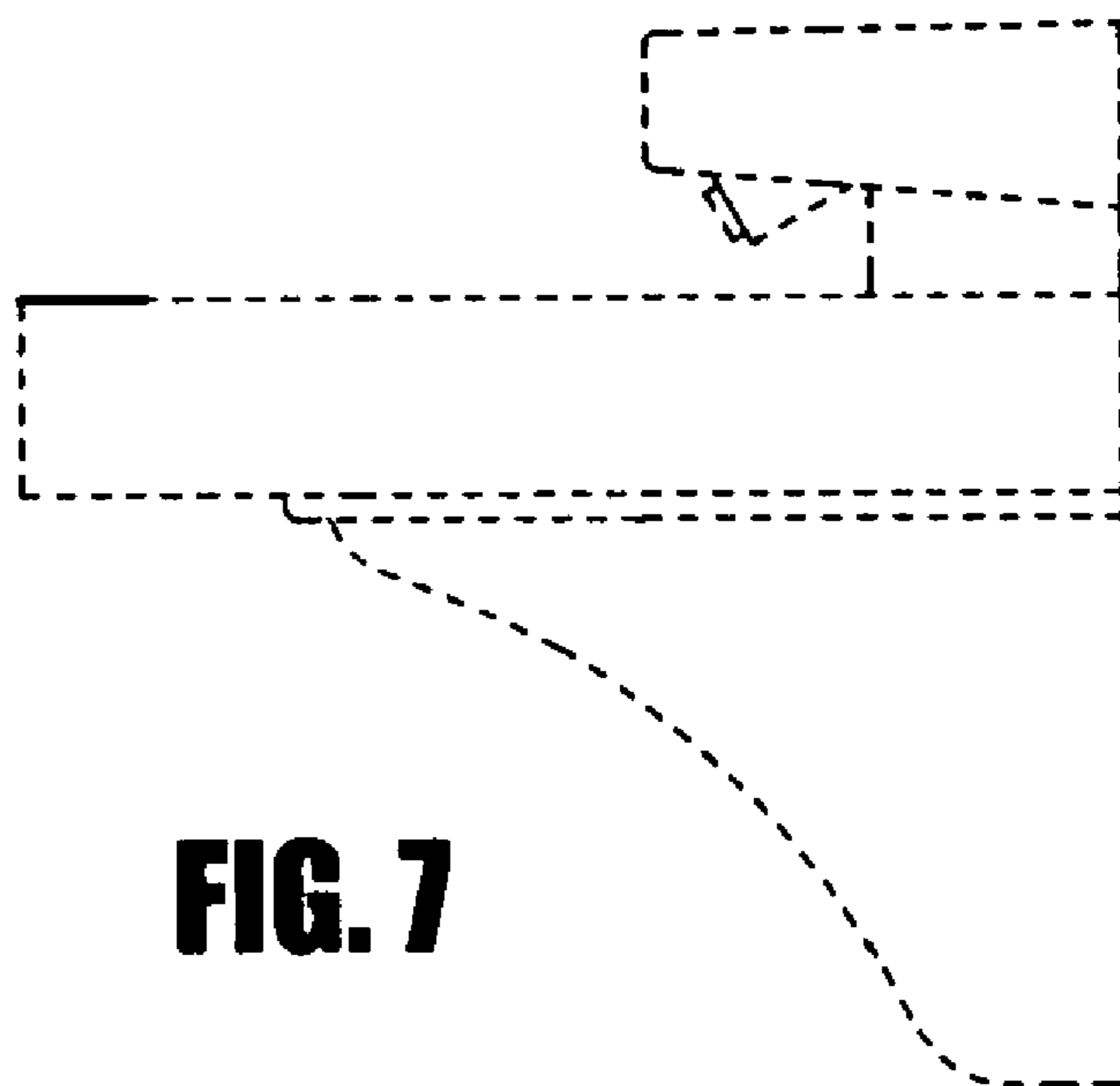


FIG. 7

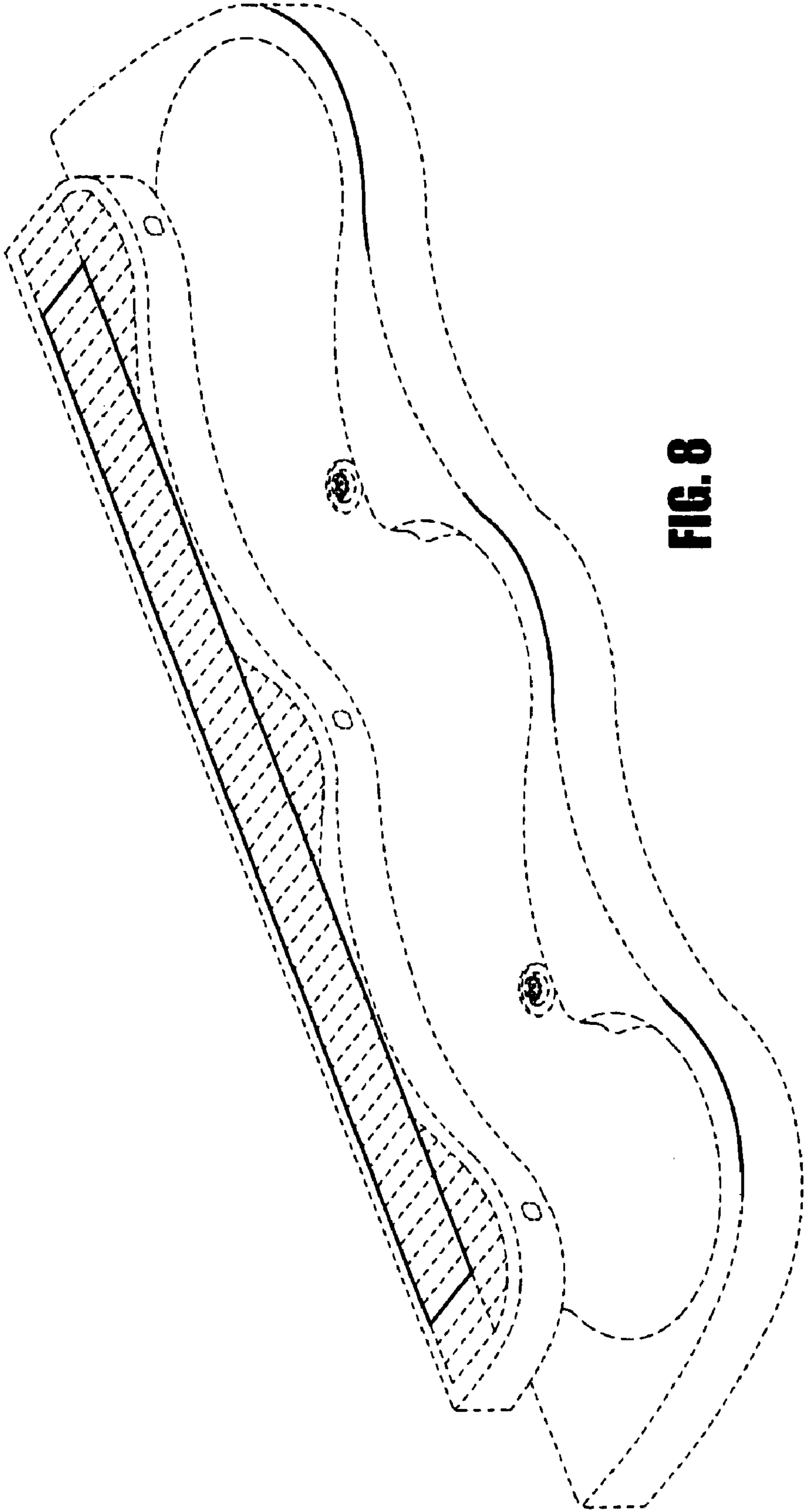


FIG. 8

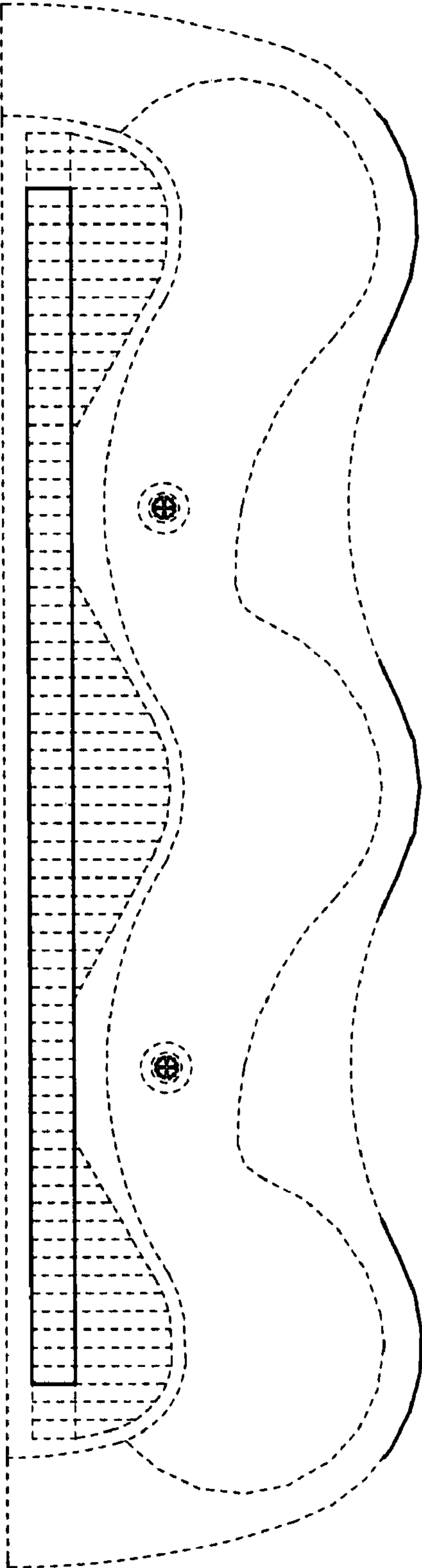


FIG. 9

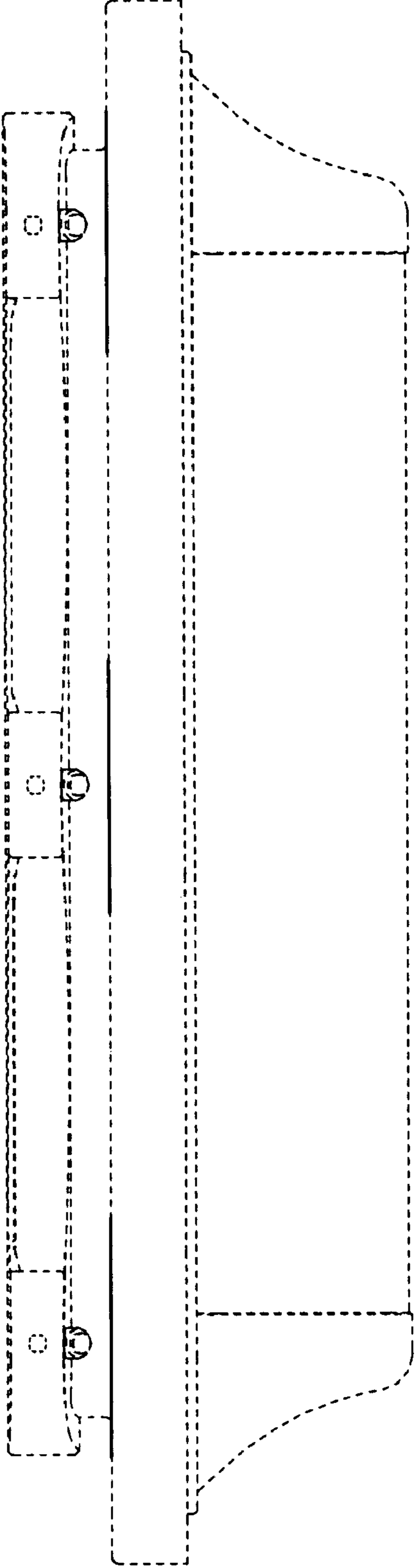


FIG. 10

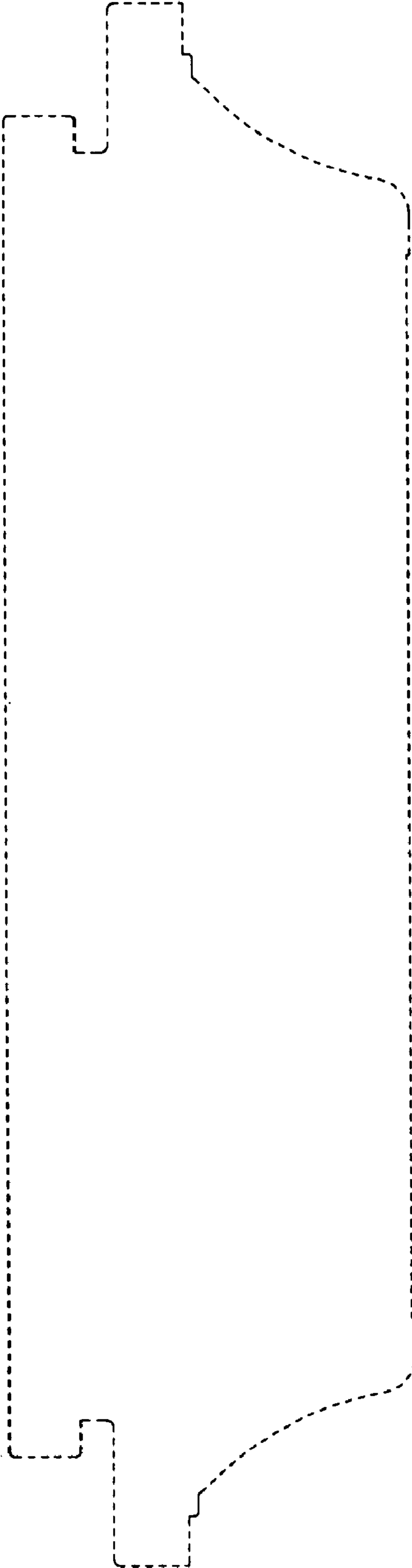


FIG. 11

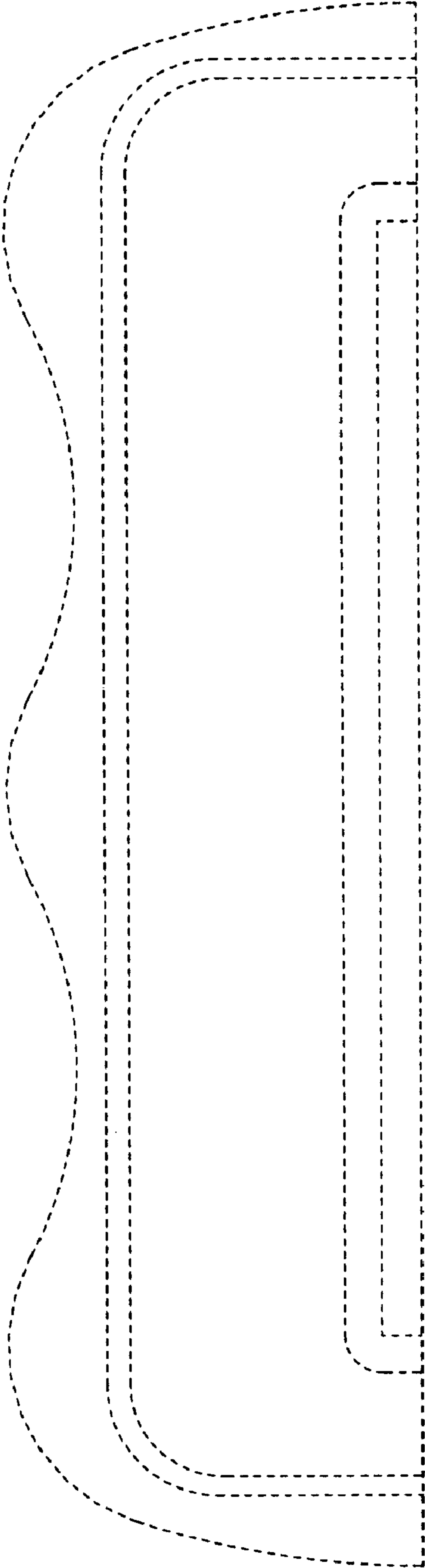


FIG. 12

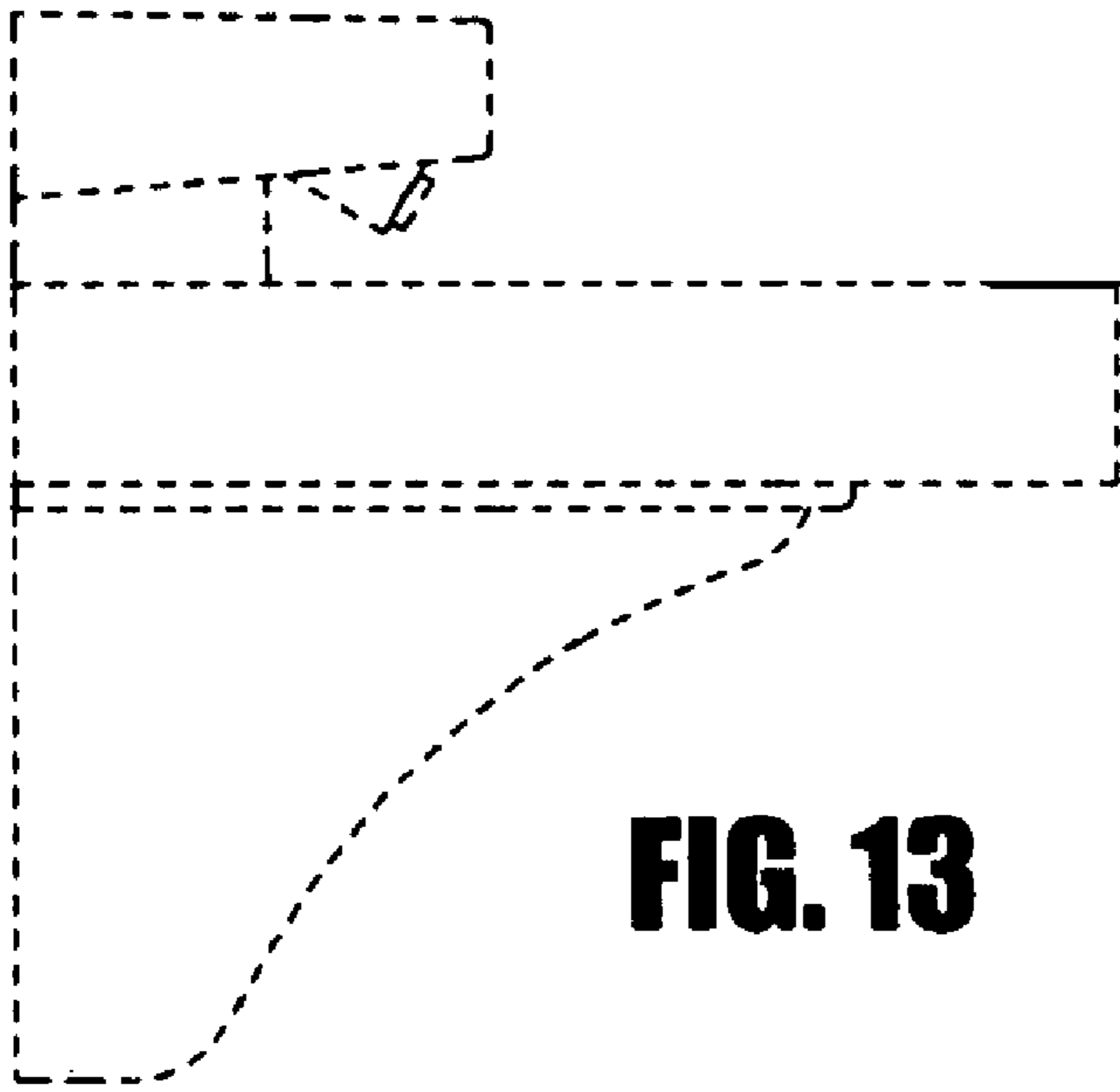


FIG. 13

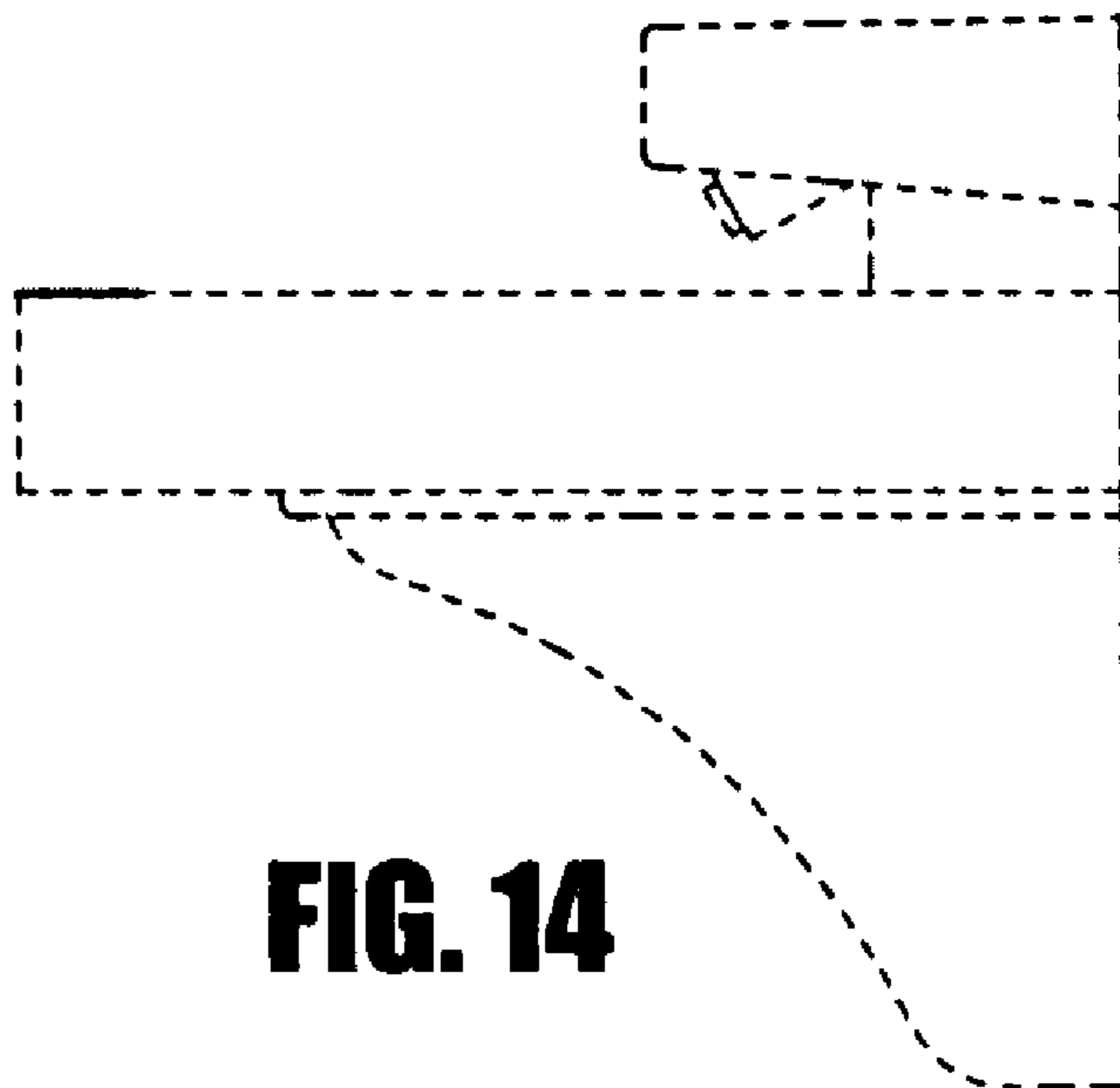


FIG. 14