



US00D591832S

(12) **United States Design Patent**
Gilbert

(10) **Patent No.:** **US D591,832 S**

(45) **Date of Patent:** **** May 5, 2009**

(54) **HANDLE**

(75) Inventor: **Christopher Jon Gilbert**, Moreland Hills, OH (US)

(73) Assignee: **Moen Incorporated**, North Olmsted, OH (US)

(**) Term: **14 Years**

(21) Appl. No.: **29/258,409**

(22) Filed: **Apr. 20, 2006**

(51) **LOC (9) Cl.** **23-01**

(52) **U.S. Cl.** **D23/250**

(58) **Field of Classification Search** D23/238–243,
D23/250–254; 4/675–678; 137/801; 16/110.1;
D8/307–308, 321; D6/550

See application file for complete search history.

(56) **References Cited**

U.S. PATENT DOCUMENTS

2,191,304 A	2/1940	Ashendorf
D121,558 S	7/1940	Borchers
D271,464 S	11/1983	Carlson
D306,552 S	3/1990	Paul
D322,659 S	12/1991	Reid et al.
D337,813 S	7/1993	Levien
D354,549 S	1/1995	Jans

D358,870 S	5/1995	Formgren
D373,406 S	9/1996	Gottwald et al.
D418,905 S *	1/2000	Meda D23/241
D440,285 S	4/2001	Kolada
D453,897 S	2/2002	LaPlume et al.
D462,598 S	9/2002	Becker
D474,672 S	5/2003	Fields
D486,889 S *	2/2004	Graves et al. D23/238
D503,082 S	3/2005	Denoual

* cited by examiner

Primary Examiner—Robert A Delehanty

(74) *Attorney, Agent, or Firm*—Calfee, Halter & Griswold LLP

(57) **CLAIM**

The ornamental design for a handle, as shown and described.

DESCRIPTION

FIG. 1 is a perspective view of a handle of the new design;

FIG. 2 is a front elevational view of the handle of FIG. 1;

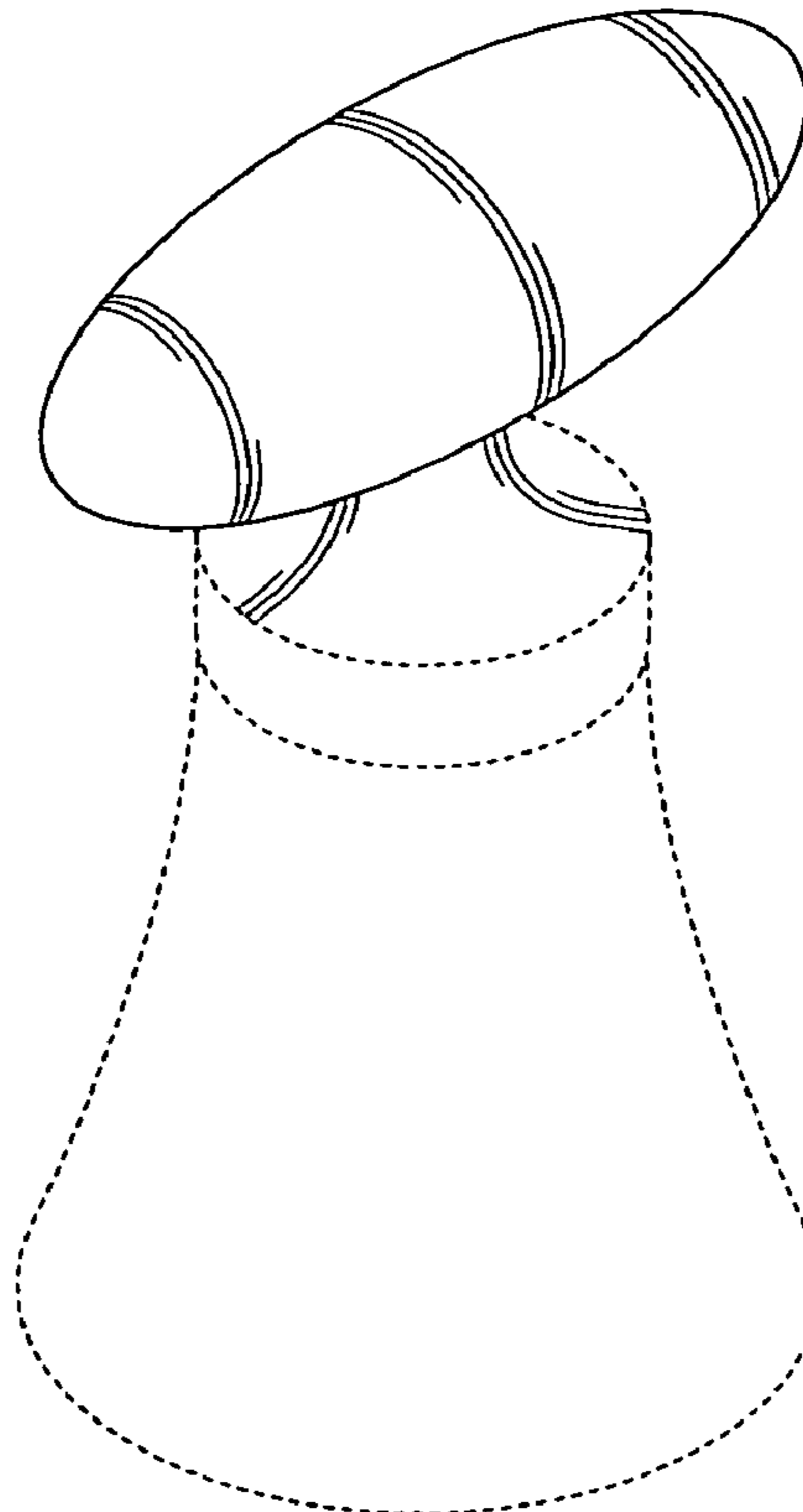
FIG. 3 is a side elevational view of the handle of FIG. 1;

FIG. 4 is a top plan view of the handle of FIG. 1; and,

FIG. 5 is a bottom plan view of the handle of FIG. 1.

The portions of the Figures shown in broken lines are not part of the claimed design and are for illustration only.

1 Claim, 2 Drawing Sheets



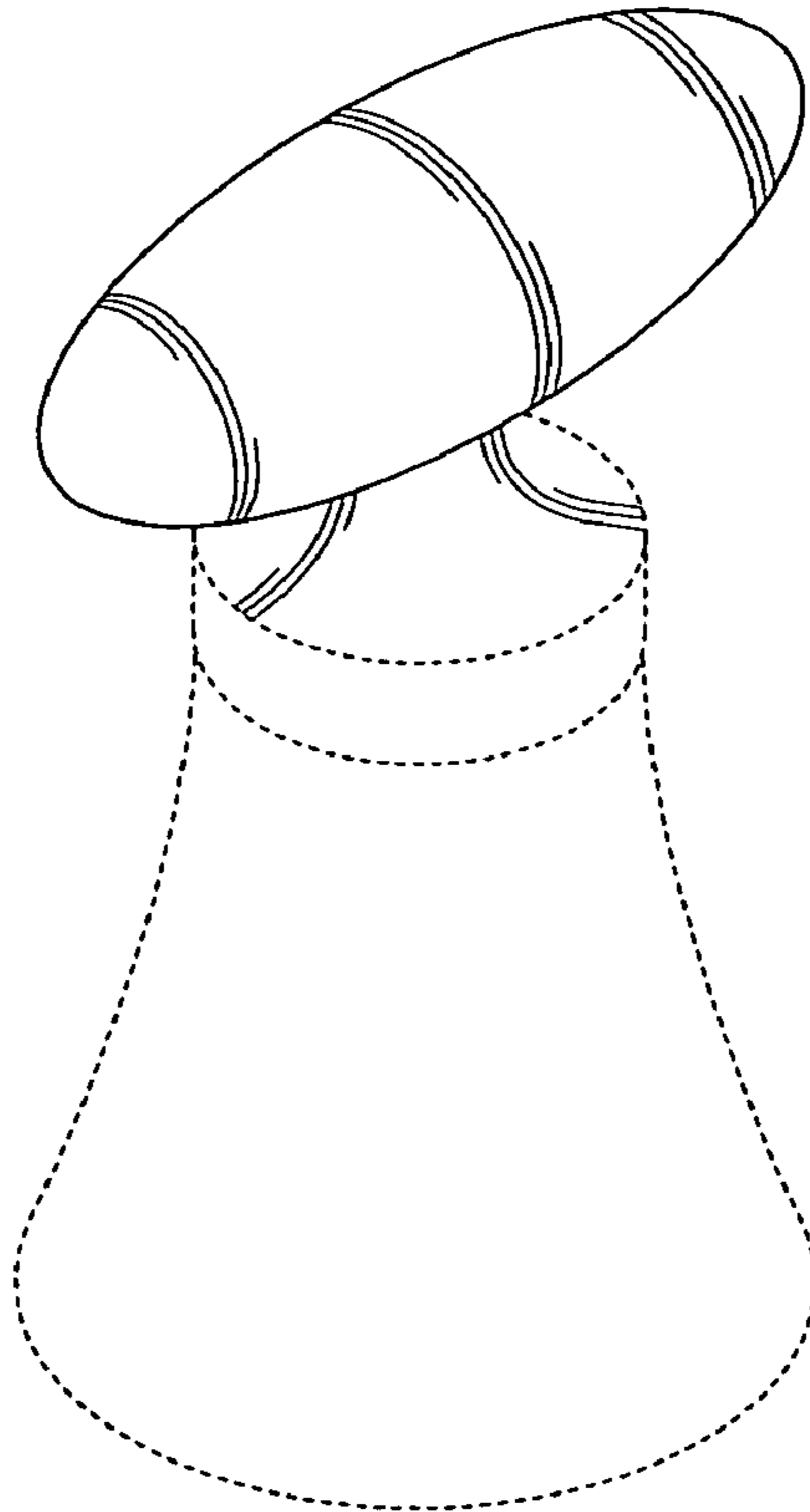


FIG. 1

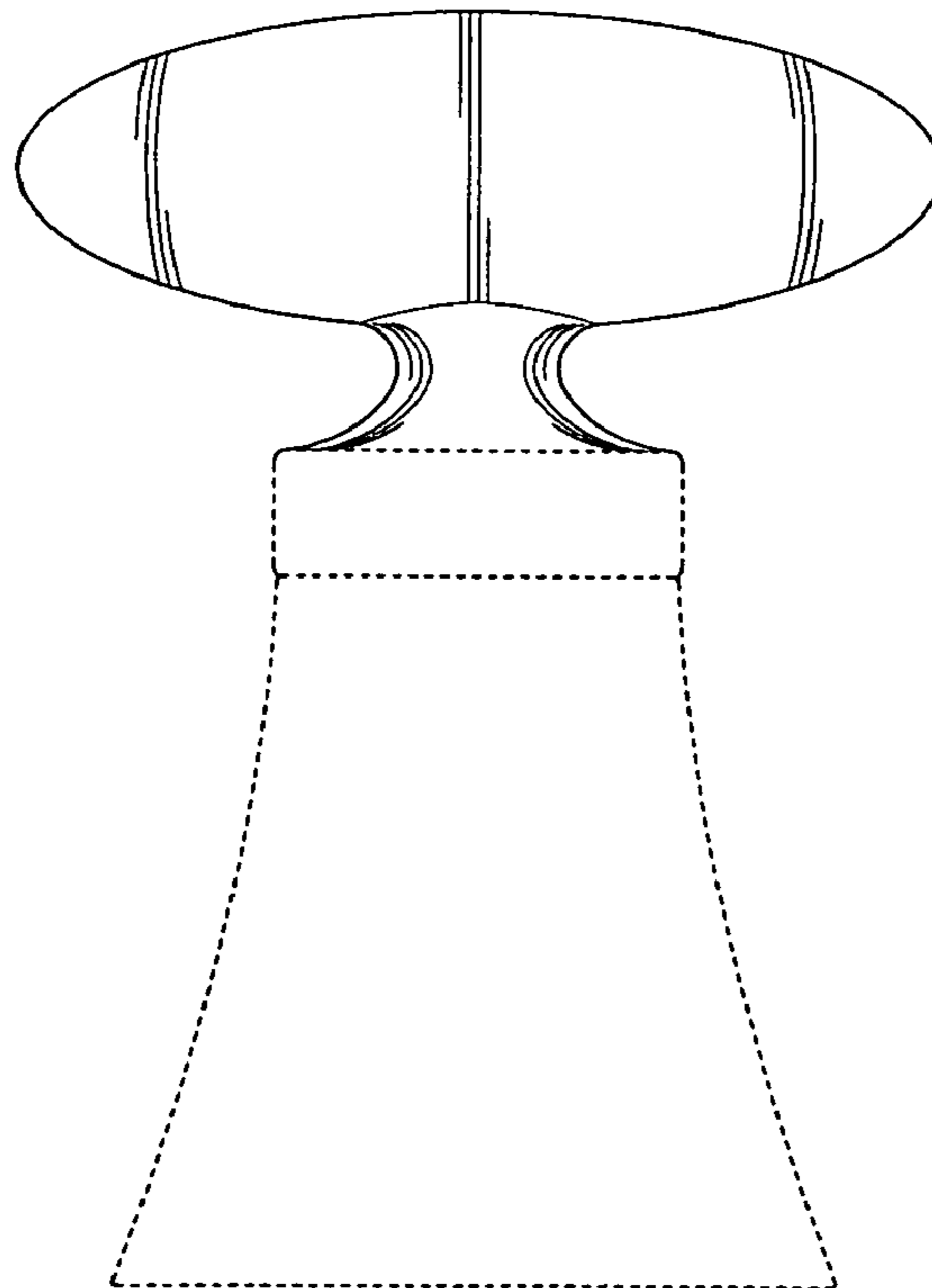


FIG. 2

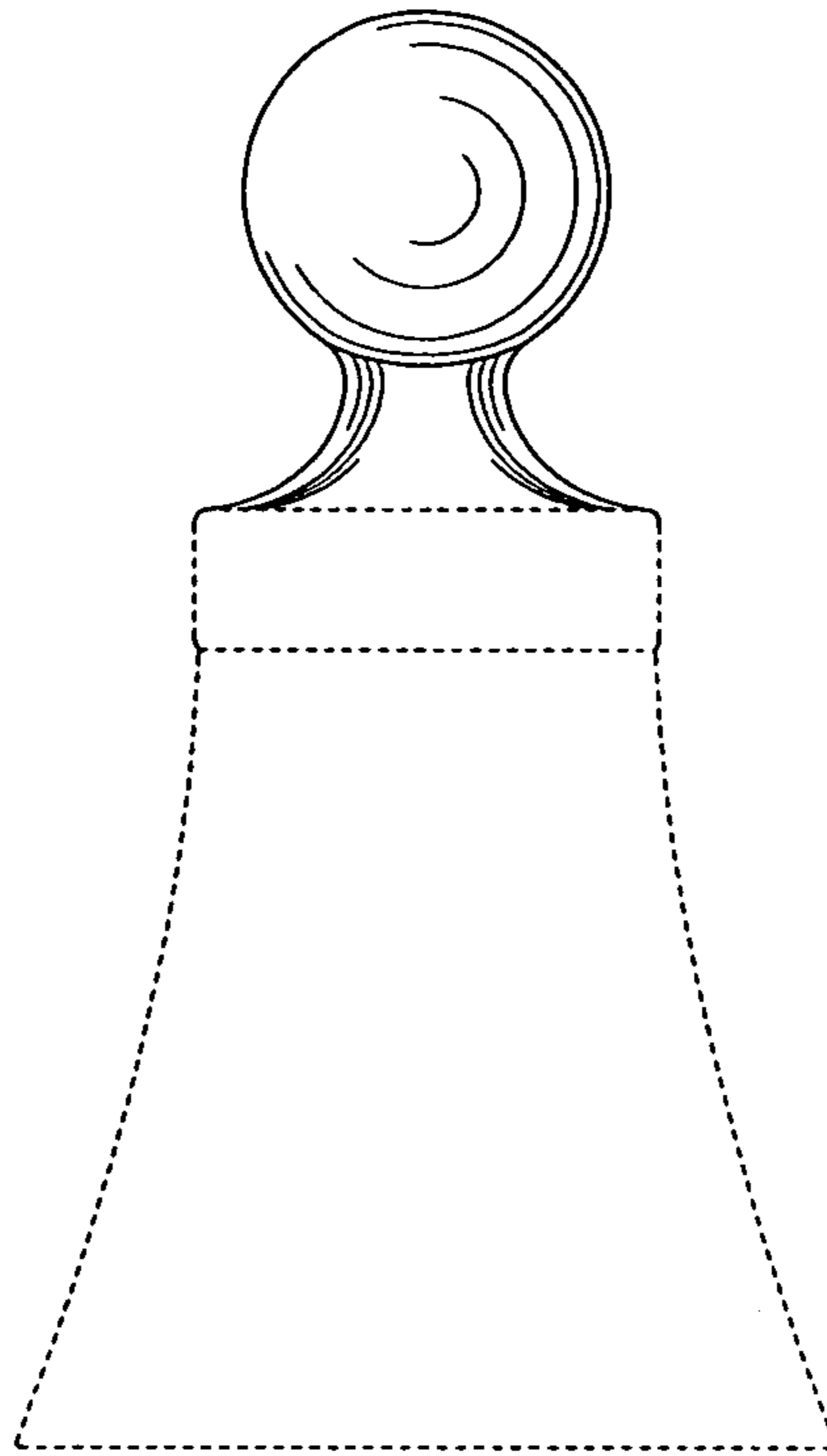


FIG. 3

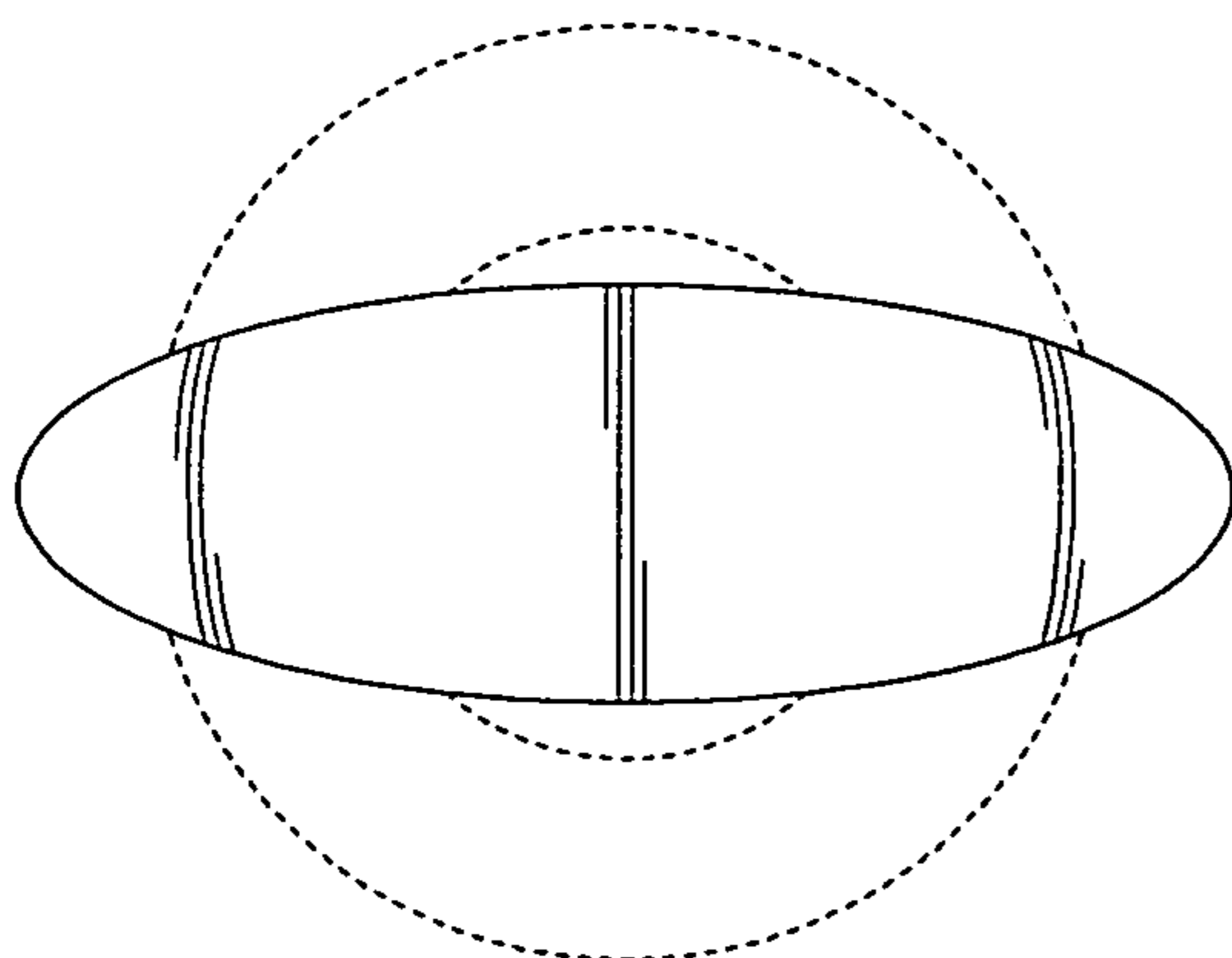


FIG. 4

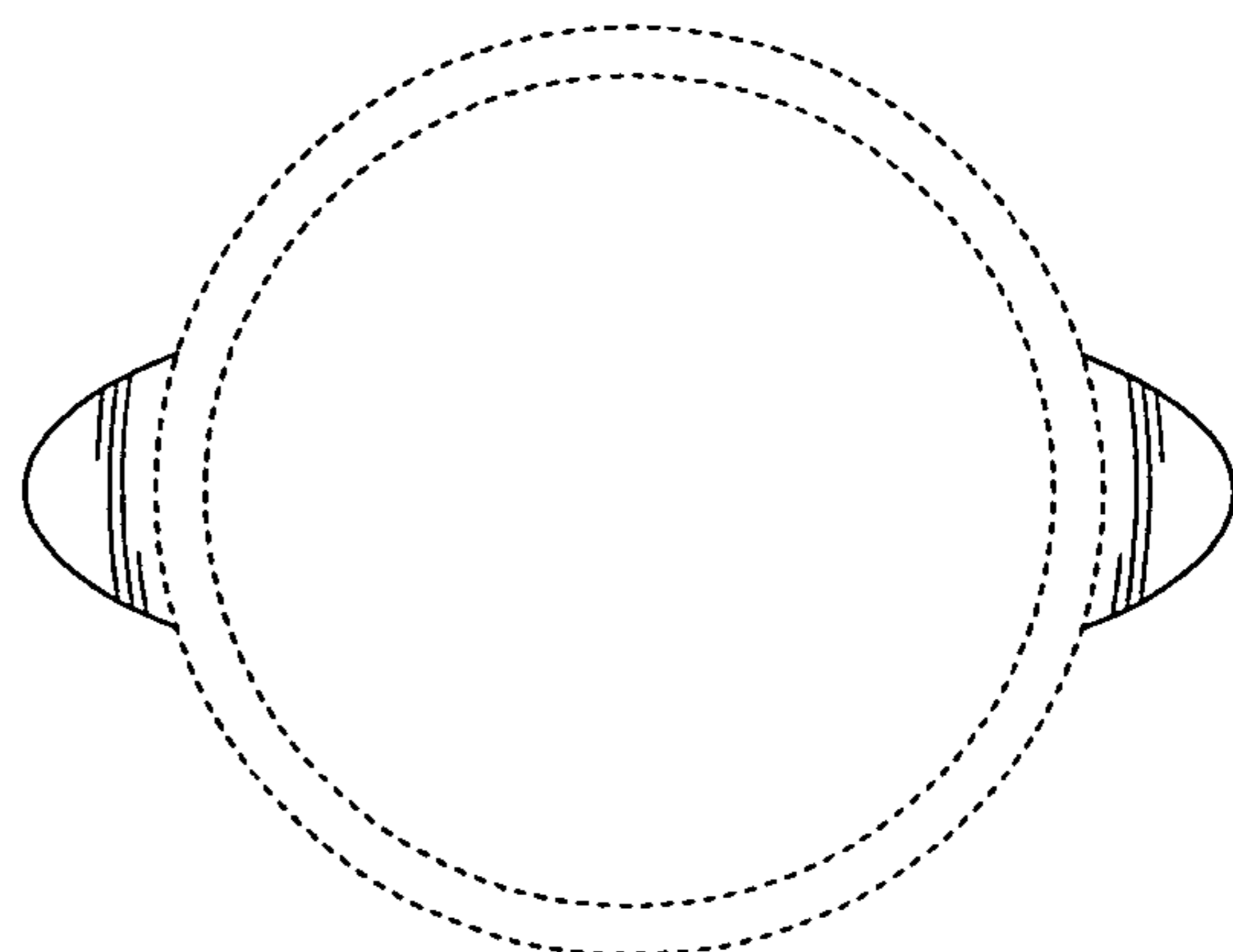


FIG. 5