



US00D591831S

(12) **United States Design Patent**
German et al.

(10) **Patent No.:** **US D591,831 S**
(45) **Date of Patent:** **** May 5, 2009**

(54) **HYDRANT SHOE**
(75) Inventors: **Mikhail German**, Johnston, RI (US);
Leo W. Fleury, North Smithfield, RI
(US); **Ken Clark**, Oreana, IL (US)
(73) Assignee: **Mueller International, Inc.**,
Portsmouth, NH (US)
(**) Term: **14 Years**
(21) Appl. No.: **29/280,983**
(22) Filed: **Jun. 12, 2007**
(51) **LOC (9) Cl.** **23-01**
(52) **U.S. Cl.** **D23/249**
(58) **Field of Classification Search** D23/249,
D23/234, 235, 245, 247, 248, 250; 251/309,
251/310, 315, 315.14, 335.5; 137/307, 170-174,
137/219, 625.22
See application file for complete search history.

6,401,745 B1 6/2002 Corder
6,561,214 B2 * 5/2003 Heil 137/307
6,910,495 B2 6/2005 Lafalce
6,929,022 B1 * 8/2005 Ingalls et al. 137/283
6,966,332 B2 * 11/2005 Wigzell 127/302
7,055,544 B2 6/2006 Davidson
7,128,091 B2 10/2006 Istre, Jr.
7,174,911 B2 2/2007 Davidson
D538,890 S * 3/2007 Park D23/233
7,240,688 B2 7/2007 Davidson, Sr. et al.

FOREIGN PATENT DOCUMENTS

EP 0 113 913 B1 7/1984
EP 0 010 821 A1 6/2000
EP 1 010 822 A1 6/2000

* cited by examiner

Primary Examiner—Ian Simmons
Assistant Examiner—Carissa C Fitts
(74) *Attorney, Agent, or Firm*—Alston & Bird LLP

(56) **References Cited**
U.S. PATENT DOCUMENTS

2,083,319 A 6/1937 Daviet
3,294,109 A 12/1966 Smith
3,566,905 A 3/1971 Noland
3,586,019 A * 6/1971 Thomas et al. 137/68.14
3,672,393 A * 6/1972 Kassen 137/307
3,980,096 A * 9/1976 Ellis et al. 137/283
3,980,097 A * 9/1976 Ellis 137/283
4,073,307 A * 2/1978 Royce 137/283
4,177,826 A * 12/1979 Luckenbill 137/307
4,227,544 A * 10/1980 Luckenbill 137/307
4,303,223 A * 12/1981 Whisenhunt et al. 251/357
4,390,038 A 6/1983 Salvato
4,393,891 A 7/1983 Snoek et al.
4,475,570 A 10/1984 Pike et al.
4,790,341 A * 12/1988 Laurel 137/15.02
4,909,270 A 3/1990 Enterante, Sr. et al.
5,029,603 A 7/1991 Ackroyd
5,129,416 A 7/1992 Ackroyd
D384,300 S * 9/1997 Hendy D10/99
5,803,110 A * 9/1998 Segal 137/68.14
5,979,490 A * 11/1999 Mirlisena, Sr. 137/369
D429,315 S * 8/2000 Okada et al. D23/233
D434,831 S * 12/2000 Okada et al. D23/233

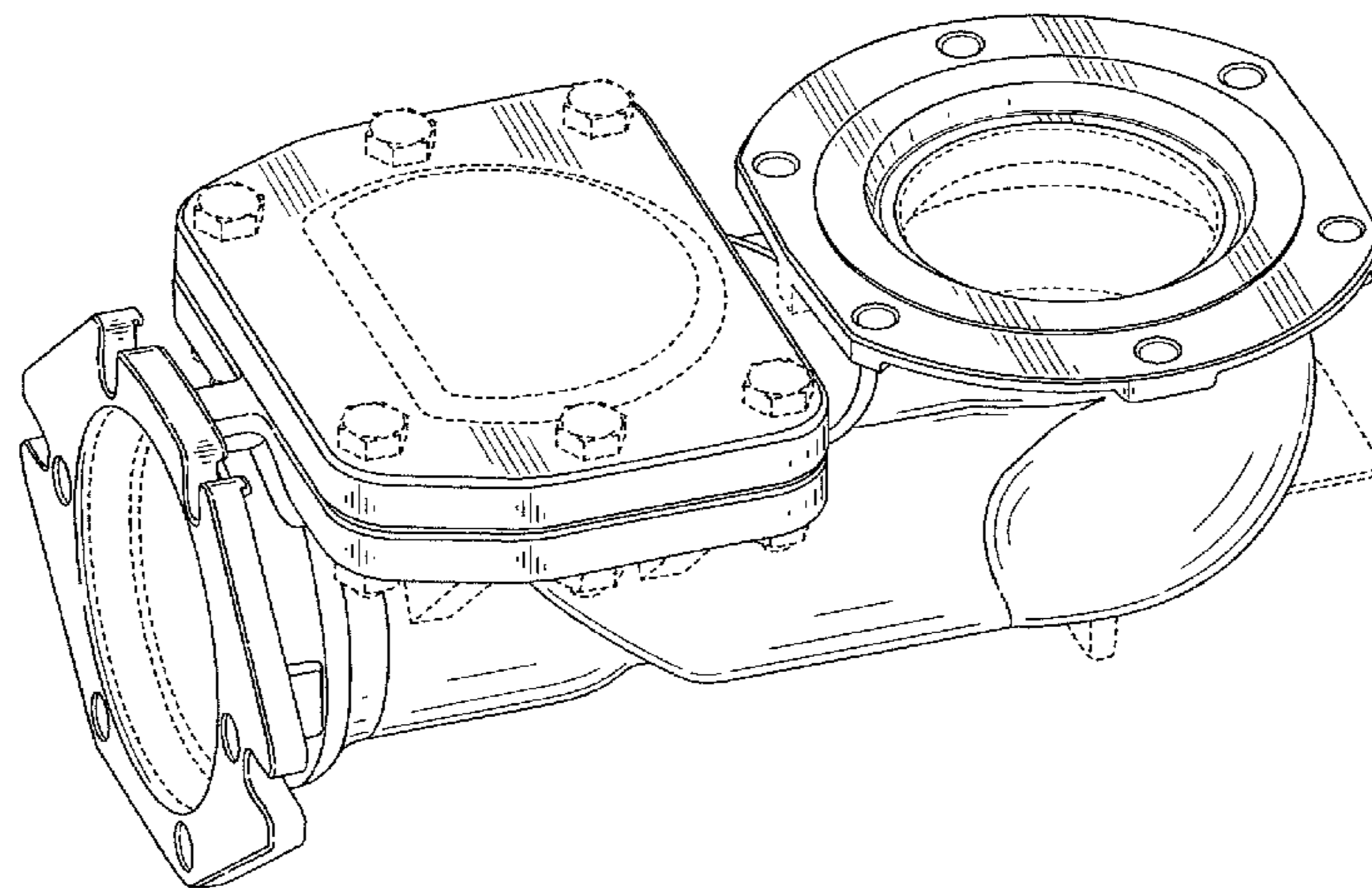
(57) **CLAIM**

The ornamental design for a hydrant shoe, as shown and described.

DESCRIPTION

FIG. 1 is a front, perspective view of a hydrant shoe design of the present invention;
FIG. 2 is a front view of the hydrant shoe design of the present invention;
FIG. 3 is a top view of the hydrant shoe design of the present invention;
FIG. 4 is a first side view of the hydrant shoe design of the present invention;
FIG. 5 is second side view of the hydrant shoe design of the present invention; and,
FIG. 6 is a bottom view of the hydrant shoe design of the present invention.
The broken line showing is for illustrative purposes only and forms no part of the claimed design.

1 Claim, 6 Drawing Sheets



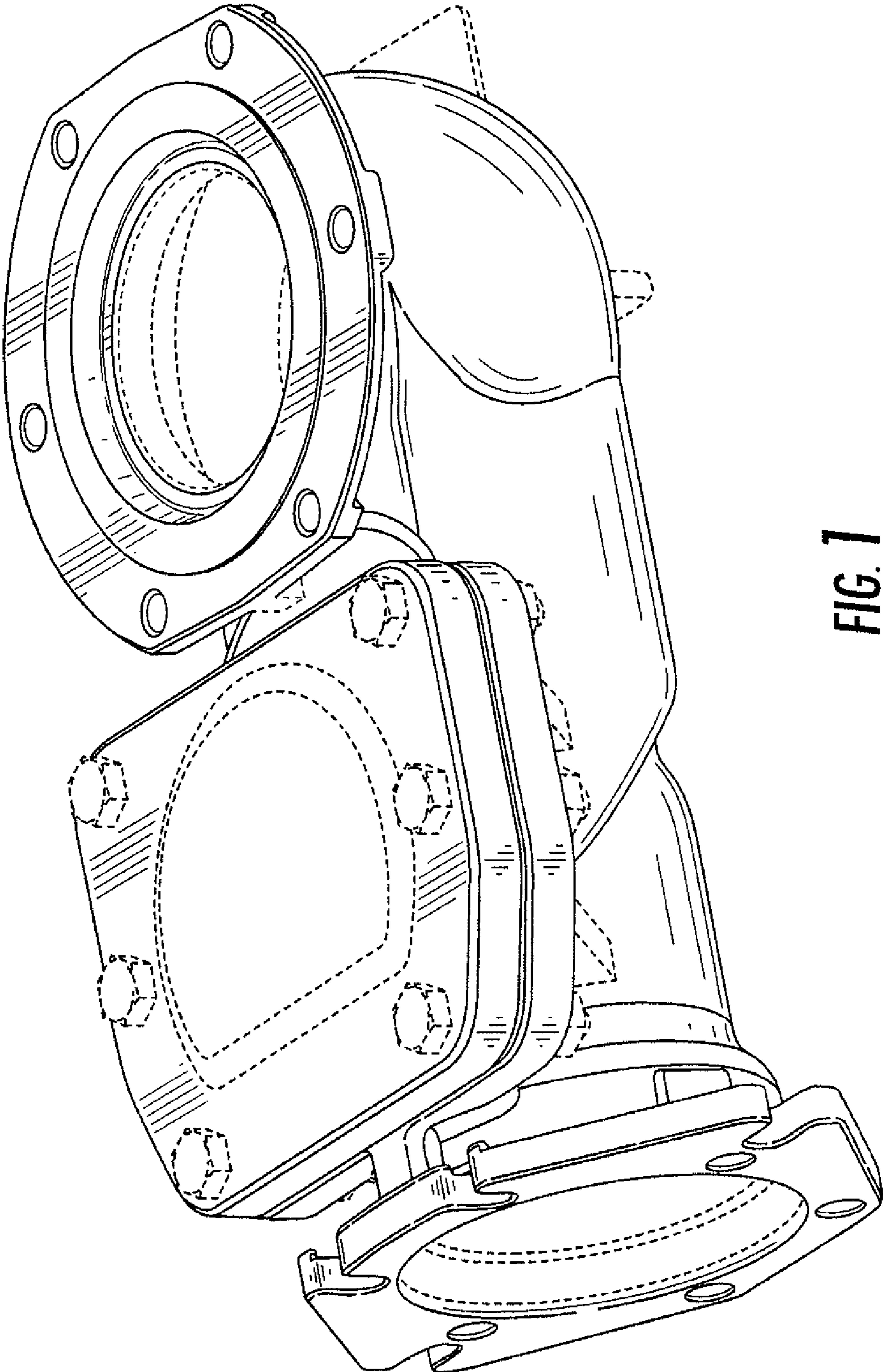


FIG. 1

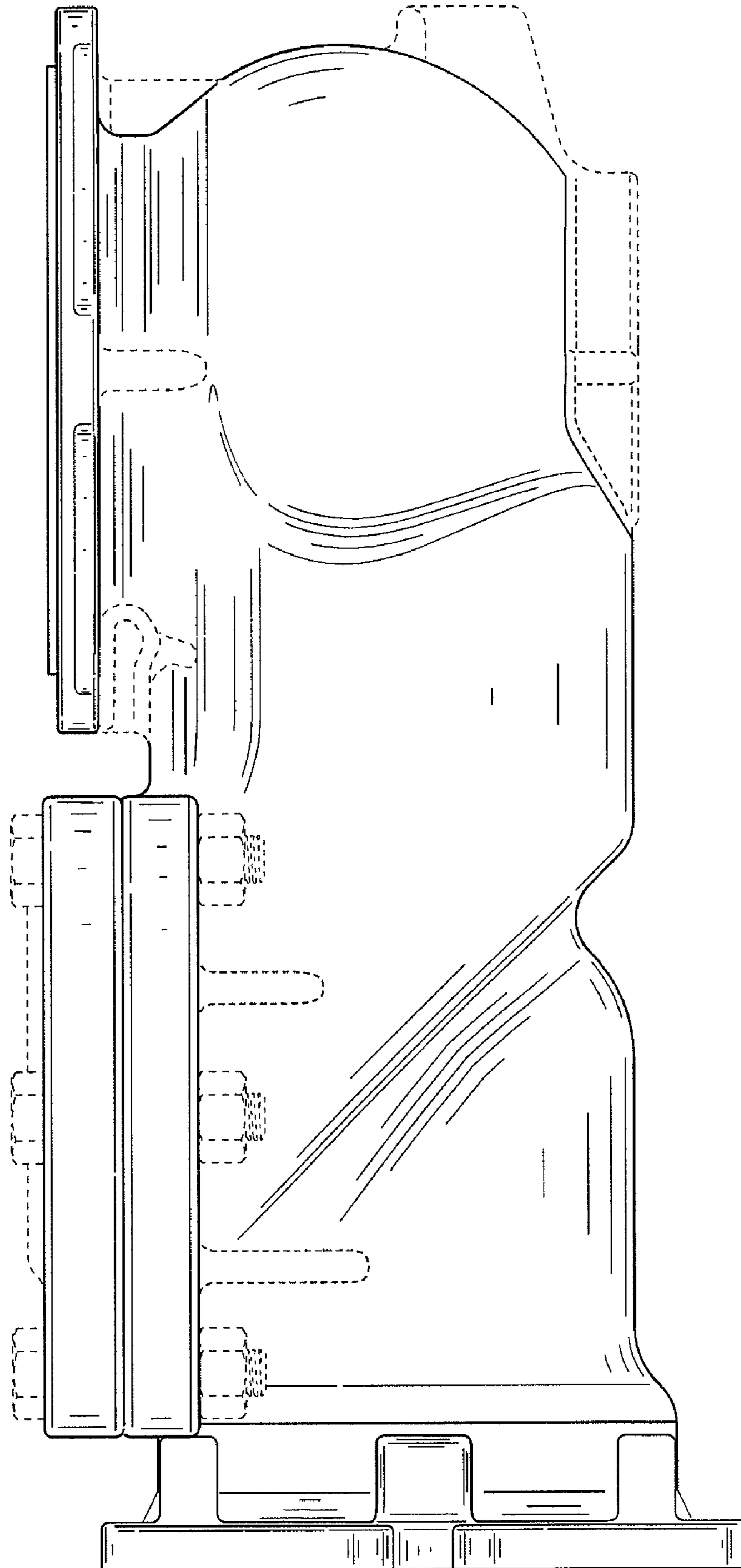


FIG. 2

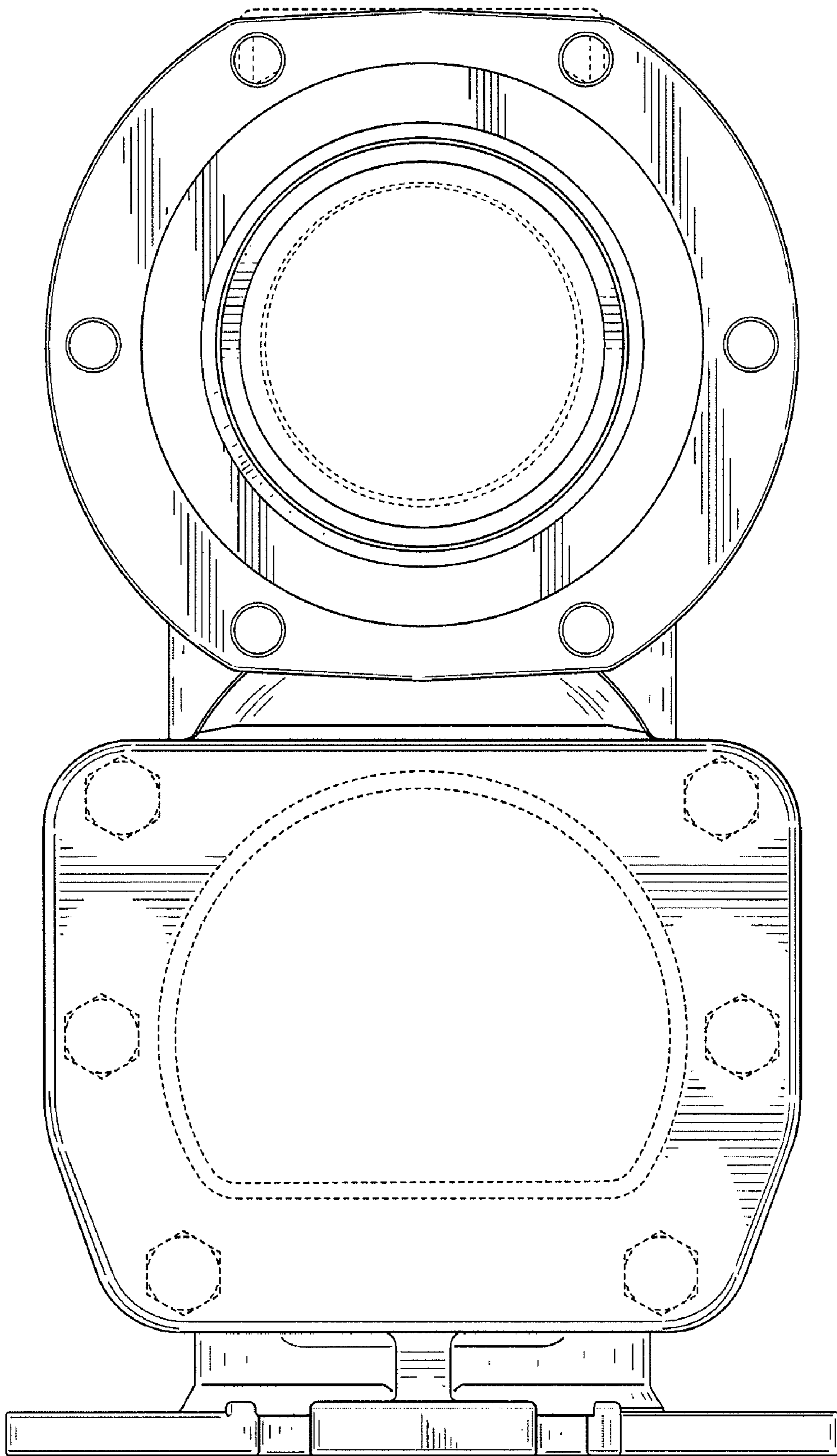


FIG. 3

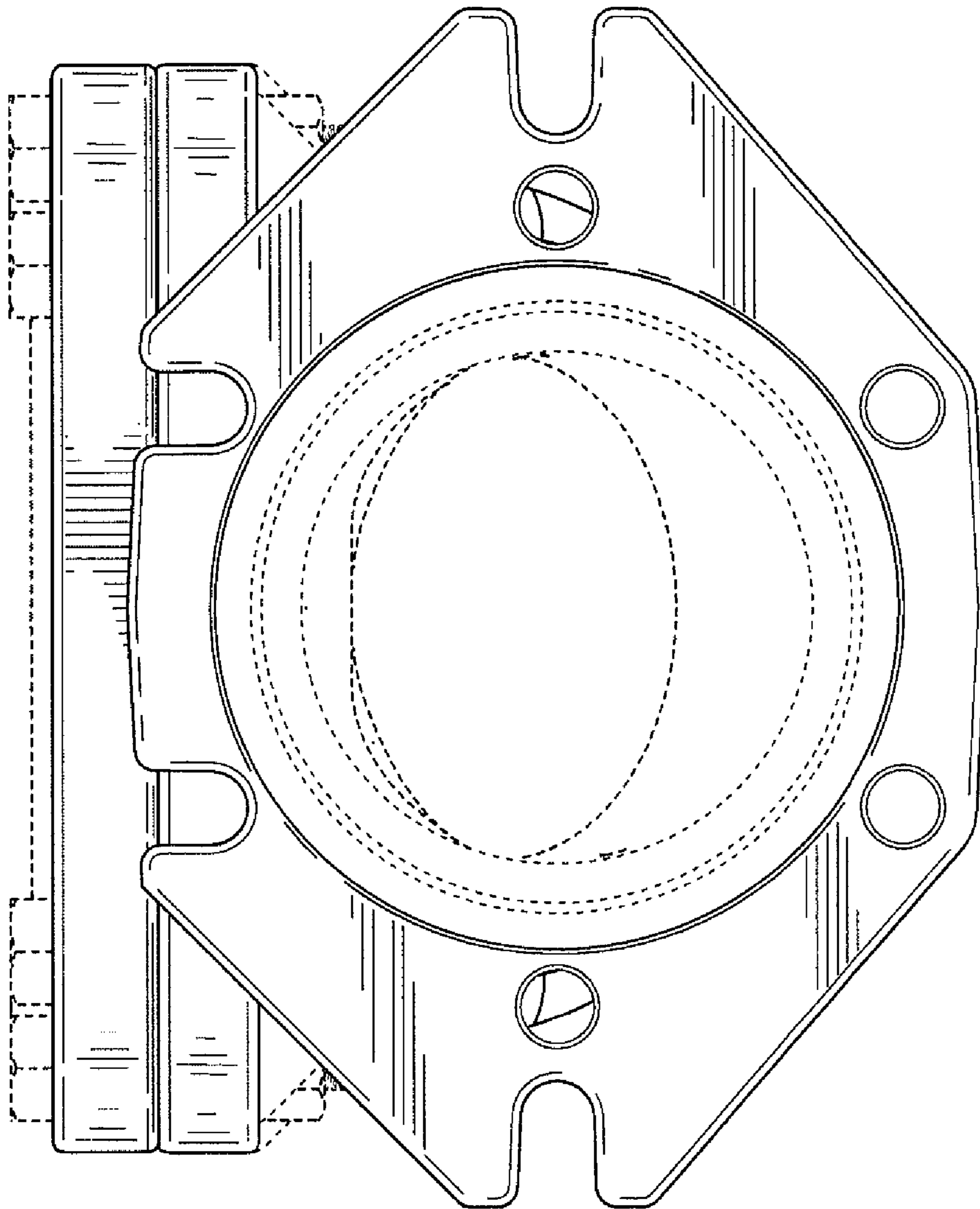


FIG. 4

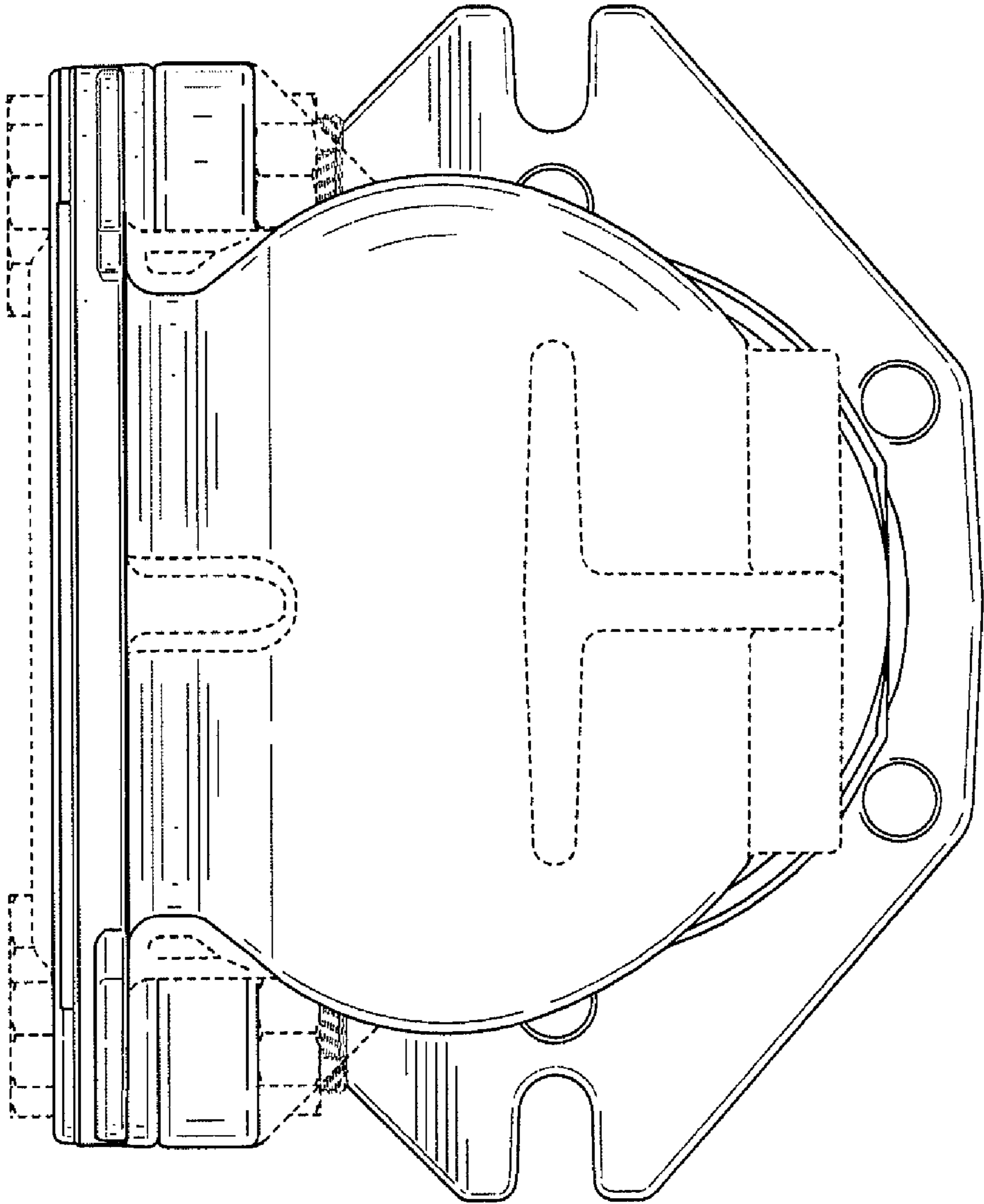


FIG. 5

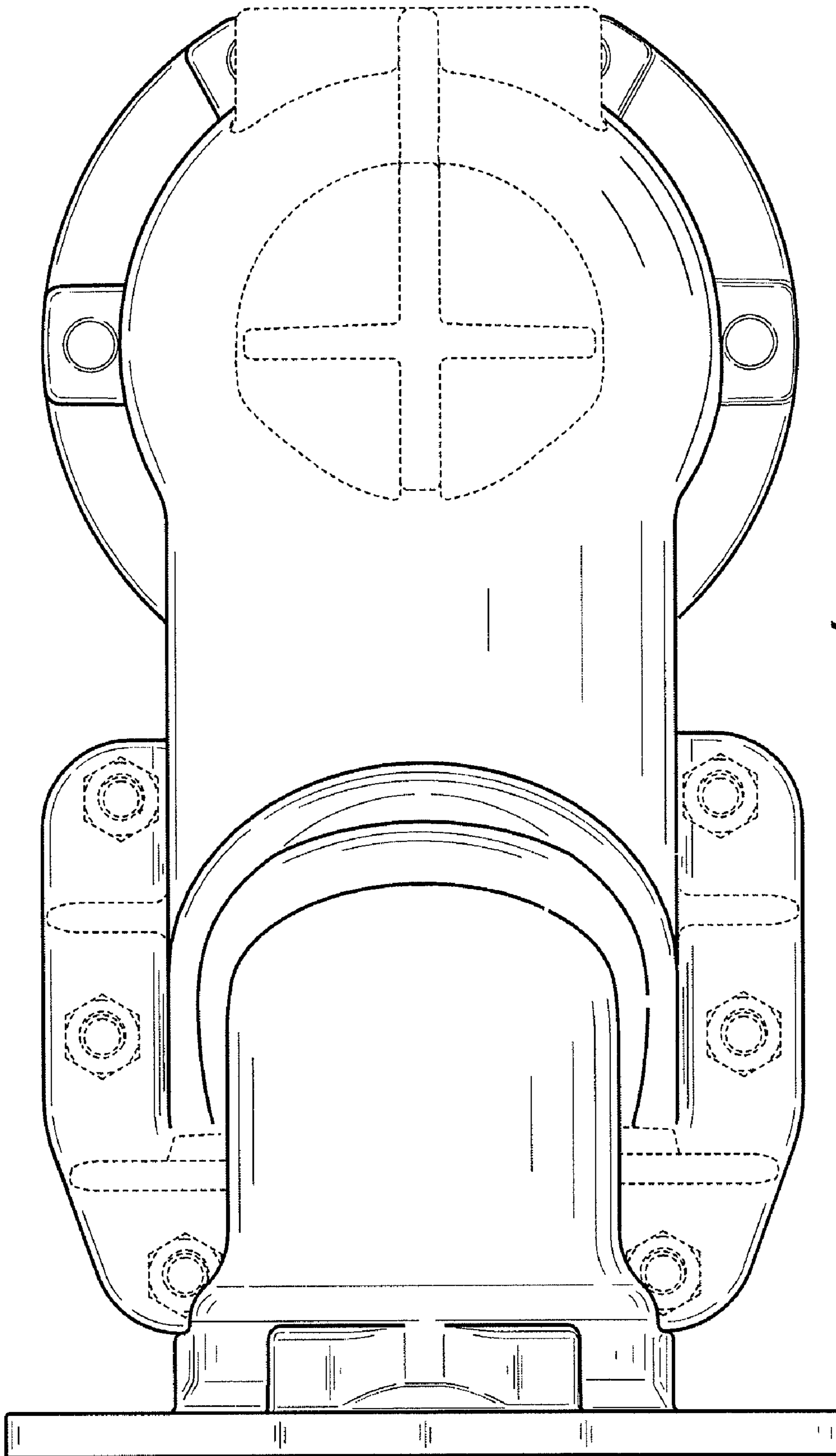


FIG. 6