



US00D591830S

(12) **United States Design Patent**
Shieh

(10) **Patent No.:** **US D591,830 S**

(45) **Date of Patent:** **** May 5, 2009**

(54) **FAUCET**

D522,617 S * 6/2006 Egee D23/241
D533,638 S * 12/2006 Castellanos D23/241

(75) Inventor: **Ming-Dang Shieh**, Chang Hua Hsien (TW)

* cited by examiner

(73) Assignee: **Horng Lai Industrial Co., Ltd.**, Chang Hua Hsien (TW)

Primary Examiner—Robert A. Delehanty

Assistant Examiner—Mark Cavanna

(74) *Attorney, Agent, or Firm*—Alan Kamrath; Kamrath & Associates PA

(**) Term: **14 Years**

(21) Appl. No.: **29/321,216**

(57) **CLAIM**

(22) Filed: **Jul. 14, 2008**

The ornamental design for a faucet, as shown and described.

(51) **LOC (9) Cl.** **23-01**

DESCRIPTION

(52) **U.S. Cl.** **D23/238**

(58) **Field of Classification Search** D23/200,
D23/238-257; 4/675-678; 137/801
See application file for complete search history.

FIG. 1 is a perspective view of a faucet showing my design;

FIG. 2 is a front elevational view thereof;

FIG. 3 is a rear elevational view thereof;

FIG. 4 is a left side elevational view thereof;

FIG. 5 is a right side elevational view thereof;

FIG. 6 is a top plan view thereof; and,

FIG. 7 is a bottom plan view thereof.

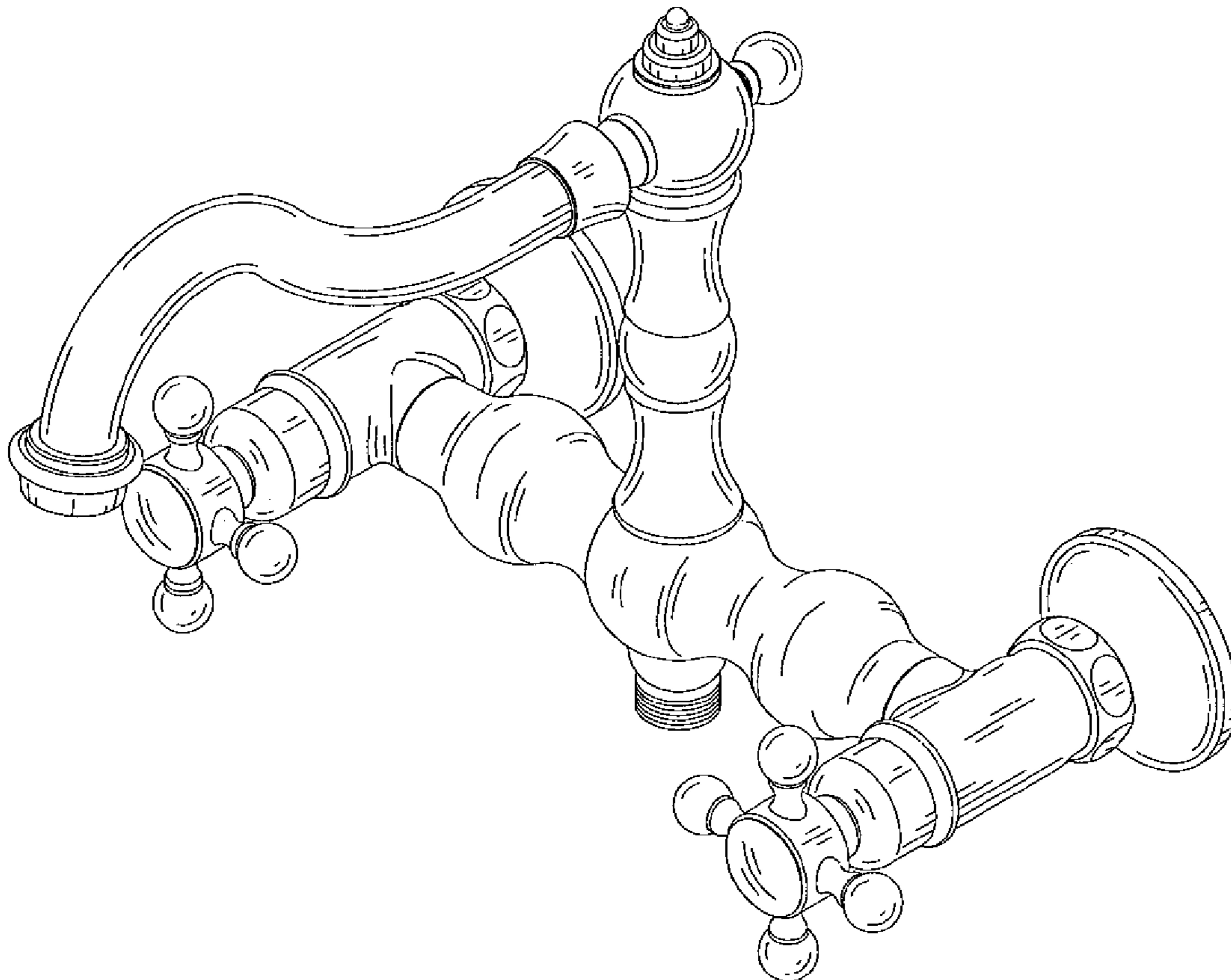
The broken lines are included for the purpose of illustrating portions of the Mixing that forms no part of the claimed design.

(56) **References Cited**

U.S. PATENT DOCUMENTS

D342,119 S *	12/1993	Shieh	D23/213
D470,225 S *	2/2003	Xie	D23/242
D476,063 S *	6/2003	Haug et al.	D23/238
D490,142 S *	5/2004	Ouyoung	D23/241
D497,197 S *	10/2004	Warshawsky	D23/243
D509,882 S *	9/2005	Find et al.	D23/238
D512,127 S *	11/2005	Egee	D23/241

1 Claim, 7 Drawing Sheets



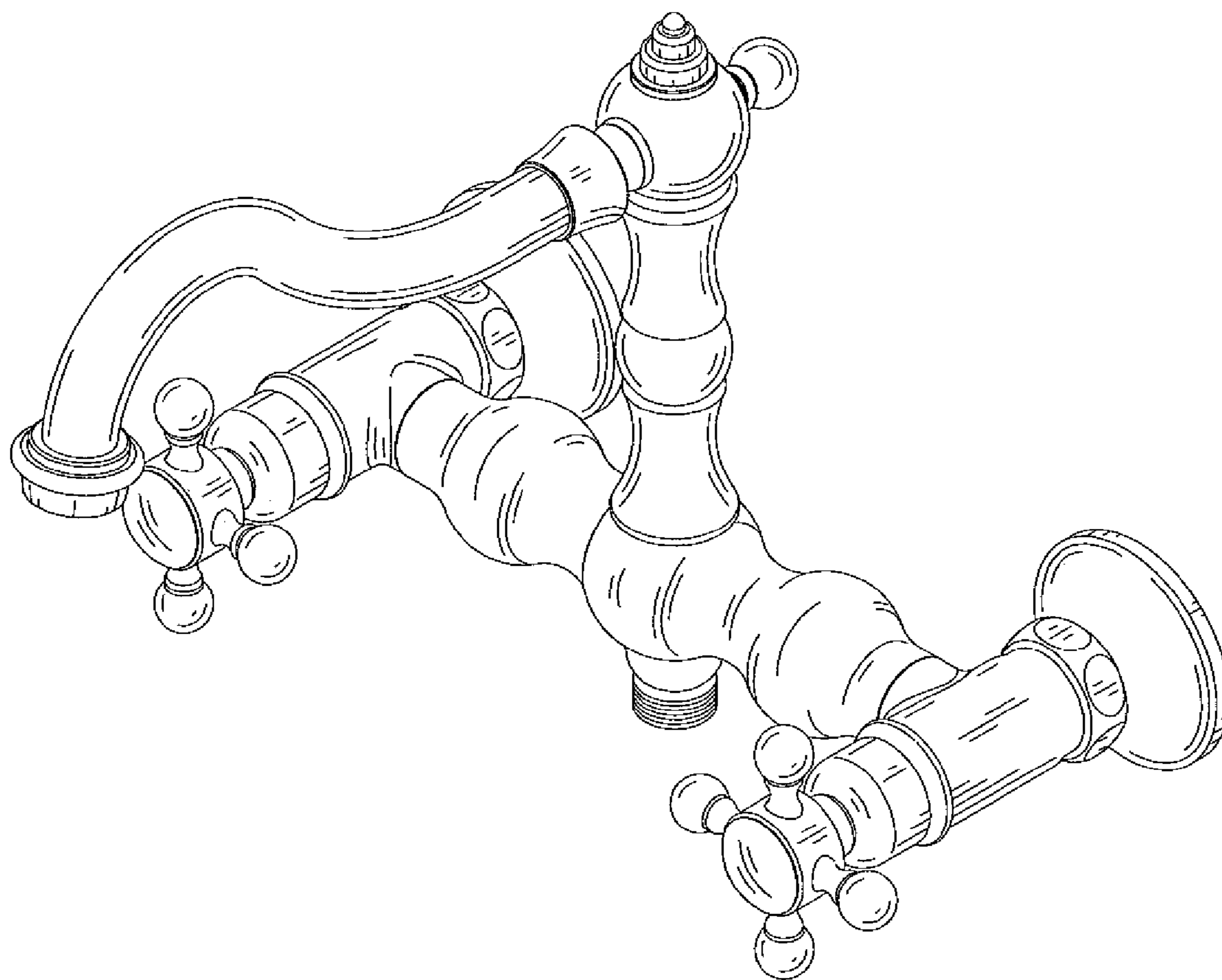


FIG. 1

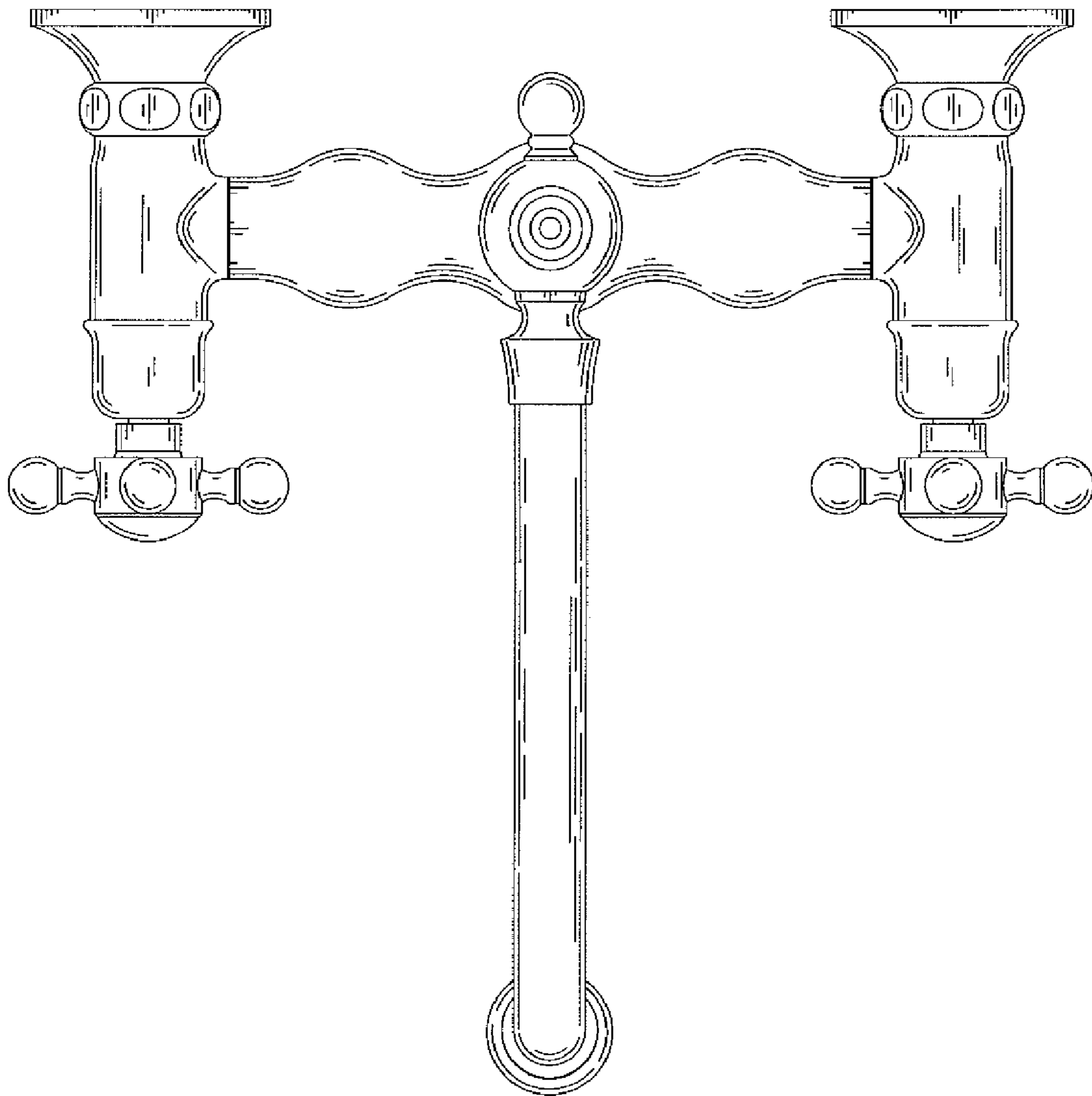


FIG. 2

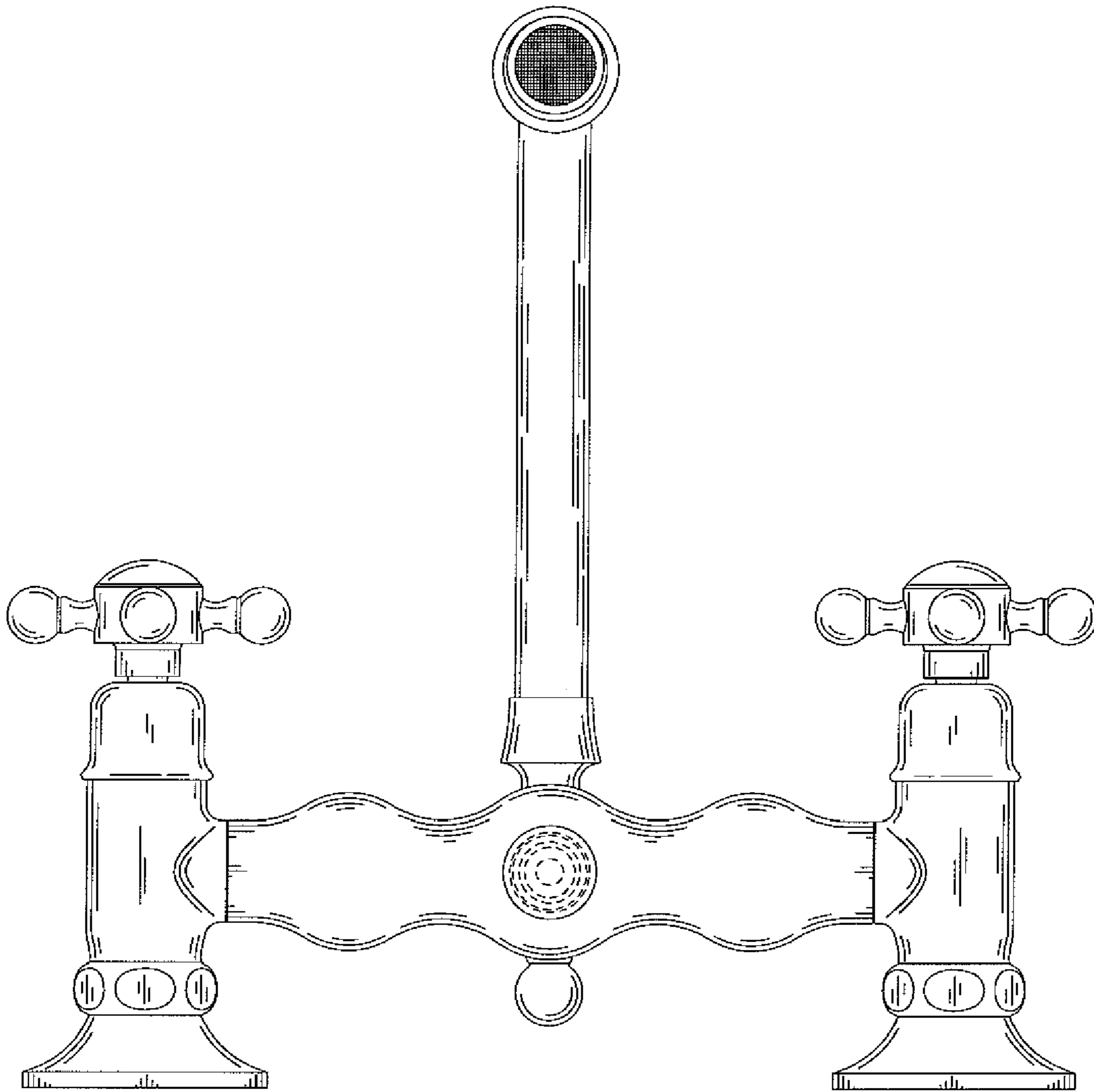


FIG. 3

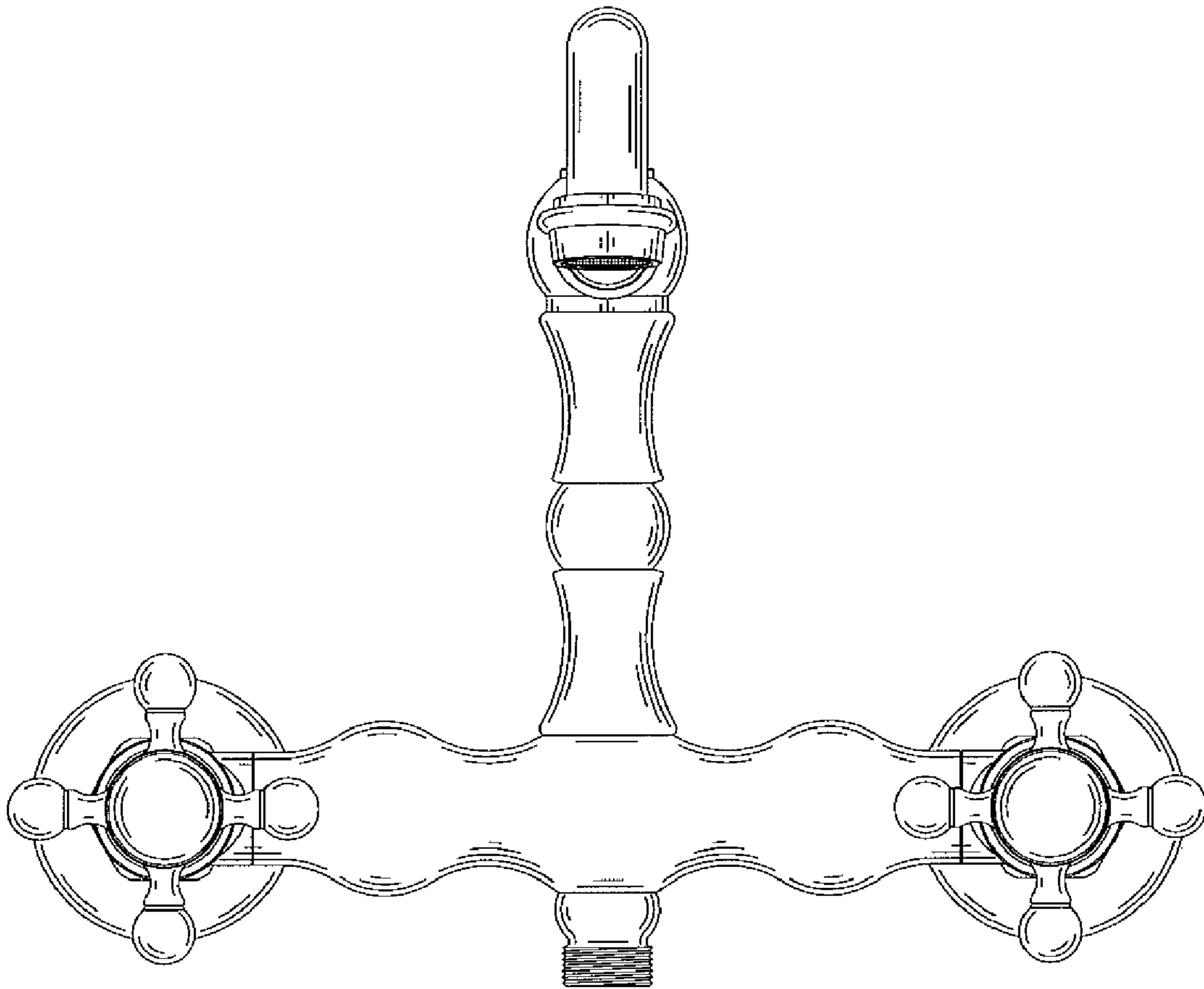


FIG. 4

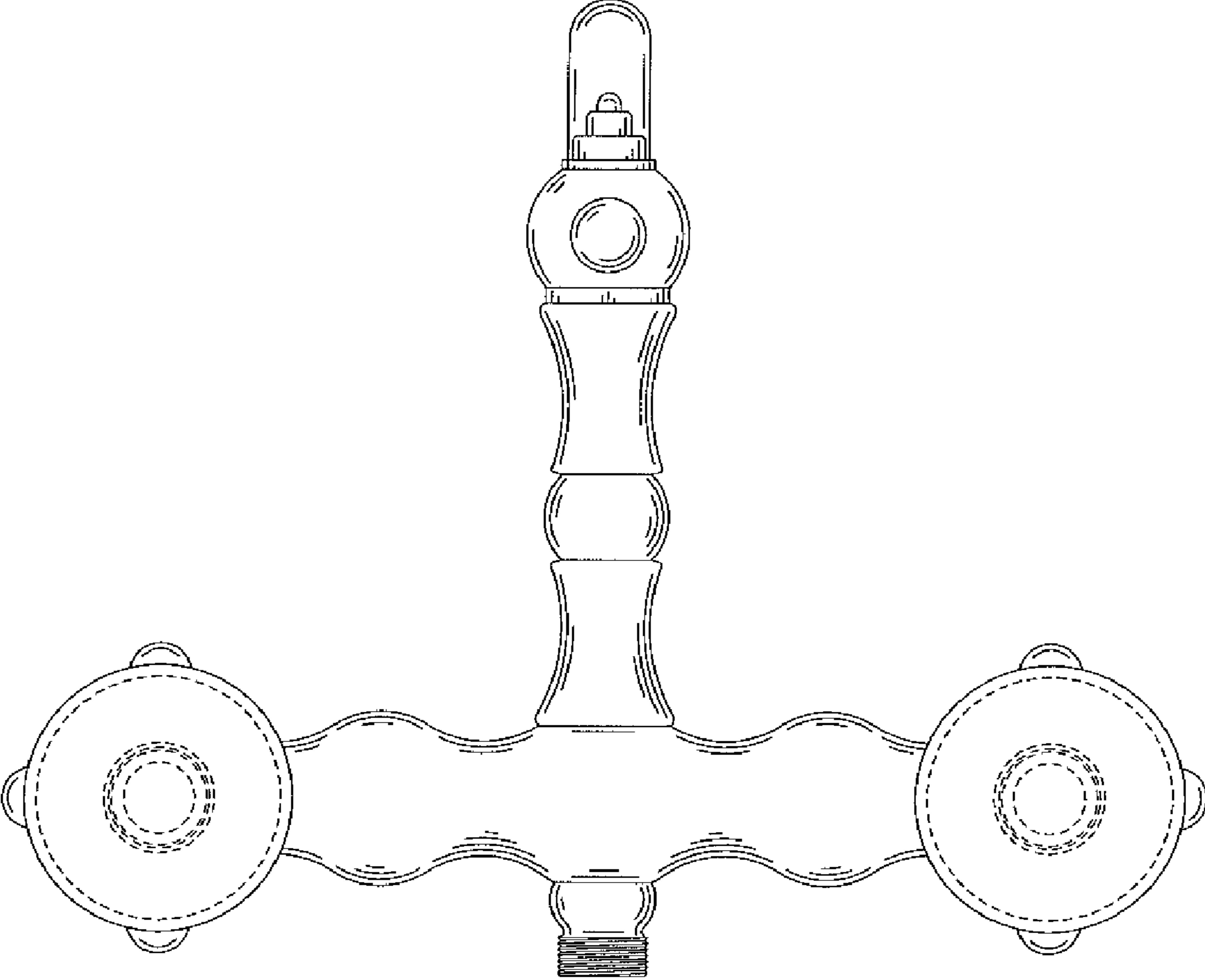


FIG. 5

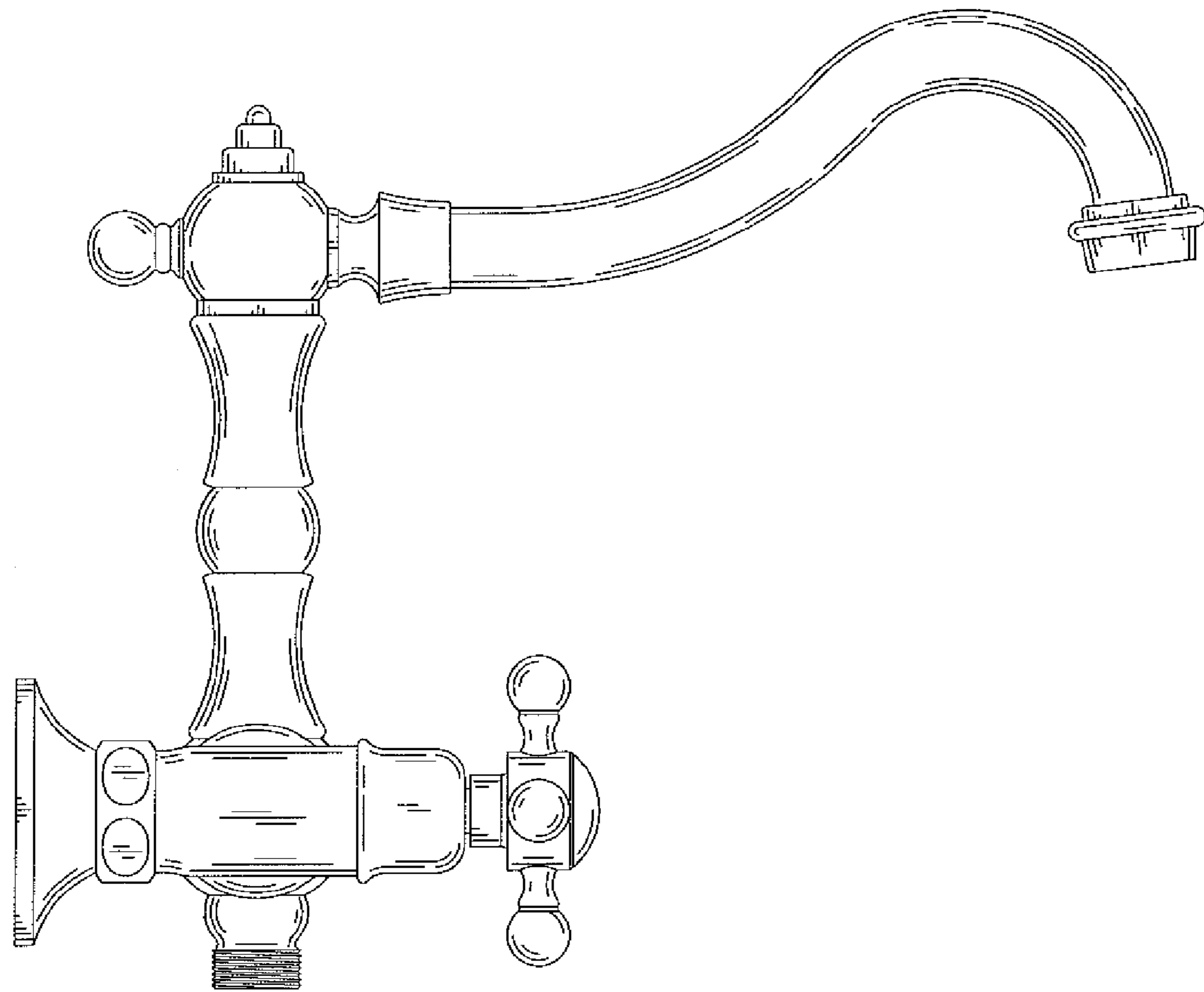


FIG. 6

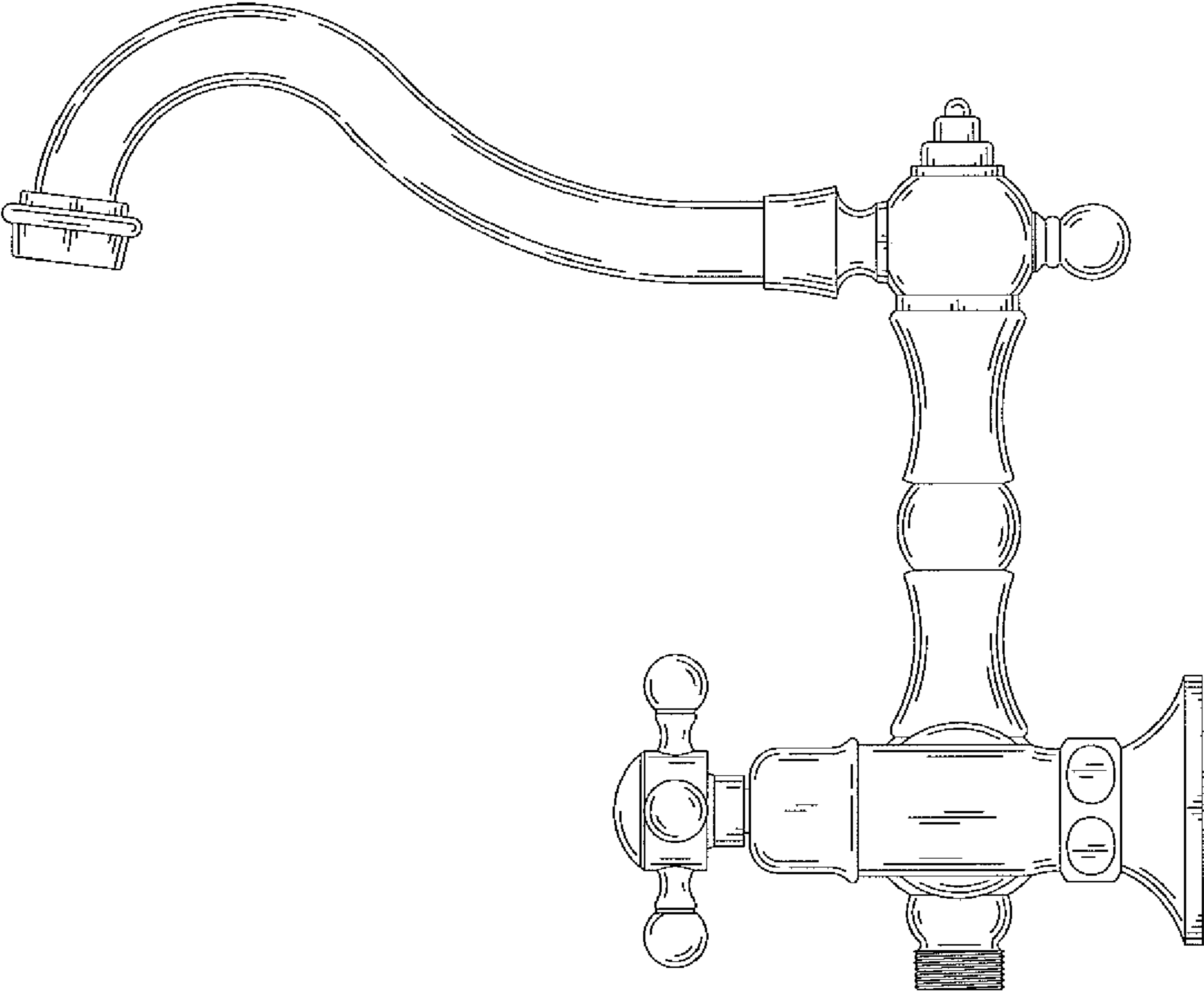


FIG. 7