

US00D591828S

(12) **United States Design Patent**
Lobermeier

(10) **Patent No.:** **US D591,828 S**

(45) **Date of Patent:** **** May 5, 2009**

(54) **HAND-HELD SPRAY HEAD**

(75) Inventor: **Hans Lobermeier**, Menden (DE)

(73) Assignee: **Grohe AG**, Hemer (DE)

(**) Term: **14 Years**

(21) Appl. No.: **29/322,892**

(22) Filed: **Aug. 14, 2008**

(30) **Foreign Application Priority Data**

Feb. 14, 2008 (EM) 000878889-0001

(51) **LOC (9) Cl.** **23-01**

(52) **U.S. Cl.** **D23/223**

(58) **Field of Classification Search** D23/213,
D23/223, 229–230; 239/282–283; 4/567,
4/615

See application file for complete search history.

(56) **References Cited**

U.S. PATENT DOCUMENTS

D511,809 S * 11/2005 Haug et al. D23/223

D535,354 S * 1/2007 Wu D23/223

D540,426 S * 4/2007 Cropelli D23/213

D565,703 S * 4/2008 Lammel et al. D23/223

* cited by examiner

Primary Examiner—Robin V Webster

(74) *Attorney, Agent, or Firm*—Muncy, Geissler, Olds & Lowe, PLLC

(57) **CLAIM**

The ornamental design of a hand-held spray head, as shown and described.

DESCRIPTION

FIG. 1 is a perspective view of a hand-held spray head of the present invention;

FIG. 2 is a left side elevational view of the hand-held spray head of FIG. 1;

FIG. 3 is a right side elevational view of the hand-held spray head of FIG. 1;

FIG. 4 is a rear elevational view of the hand-held spray head of FIG. 1;

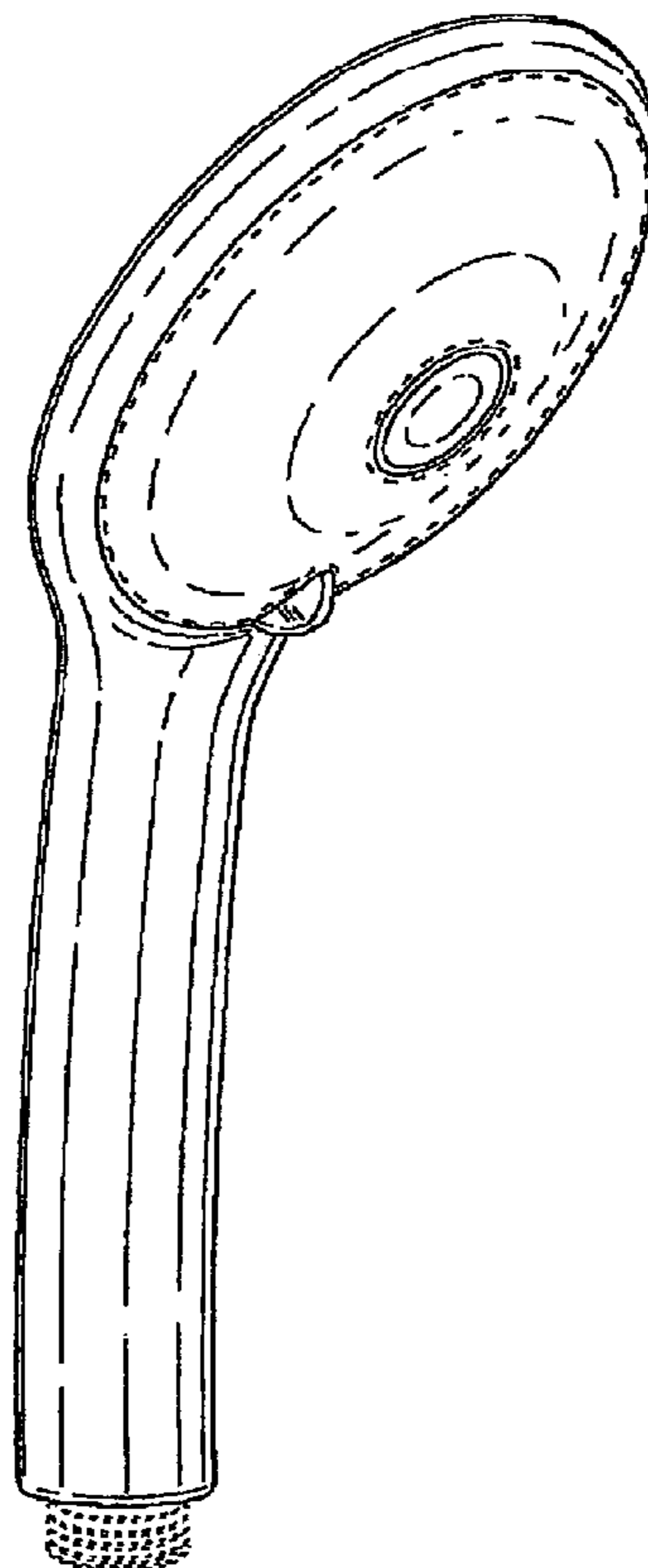
FIG. 5 is a front elevational view of the hand-held spray head of FIG. 1;

FIG. 6 is a bottom plan view of the hand-held spray head of FIG. 1; and,

FIG. 7 is a top plan view of the hand-held spray head of FIG. 1.

The dashed lines illustrate environment that does not form a part of the present invention, and no claim is made to the material illustrated with dashed lines.

1 Claim, 6 Drawing Sheets



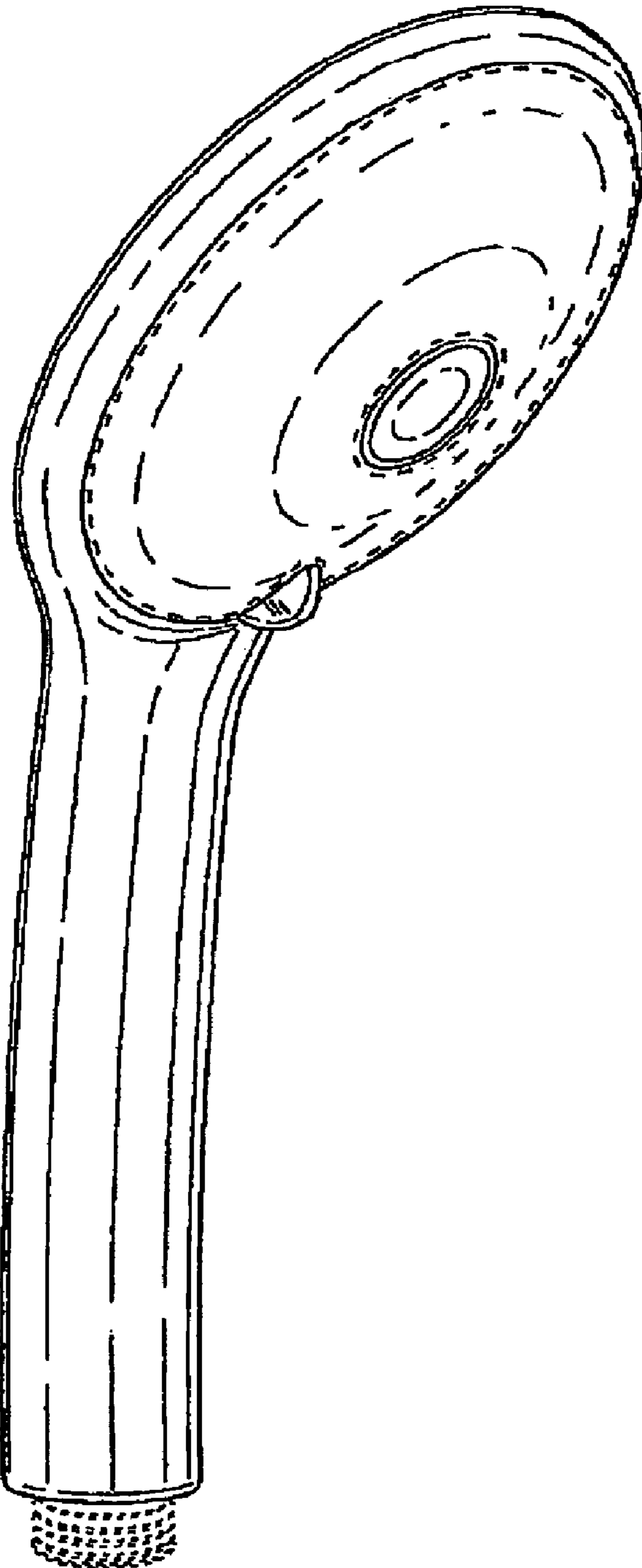


FIG. 1

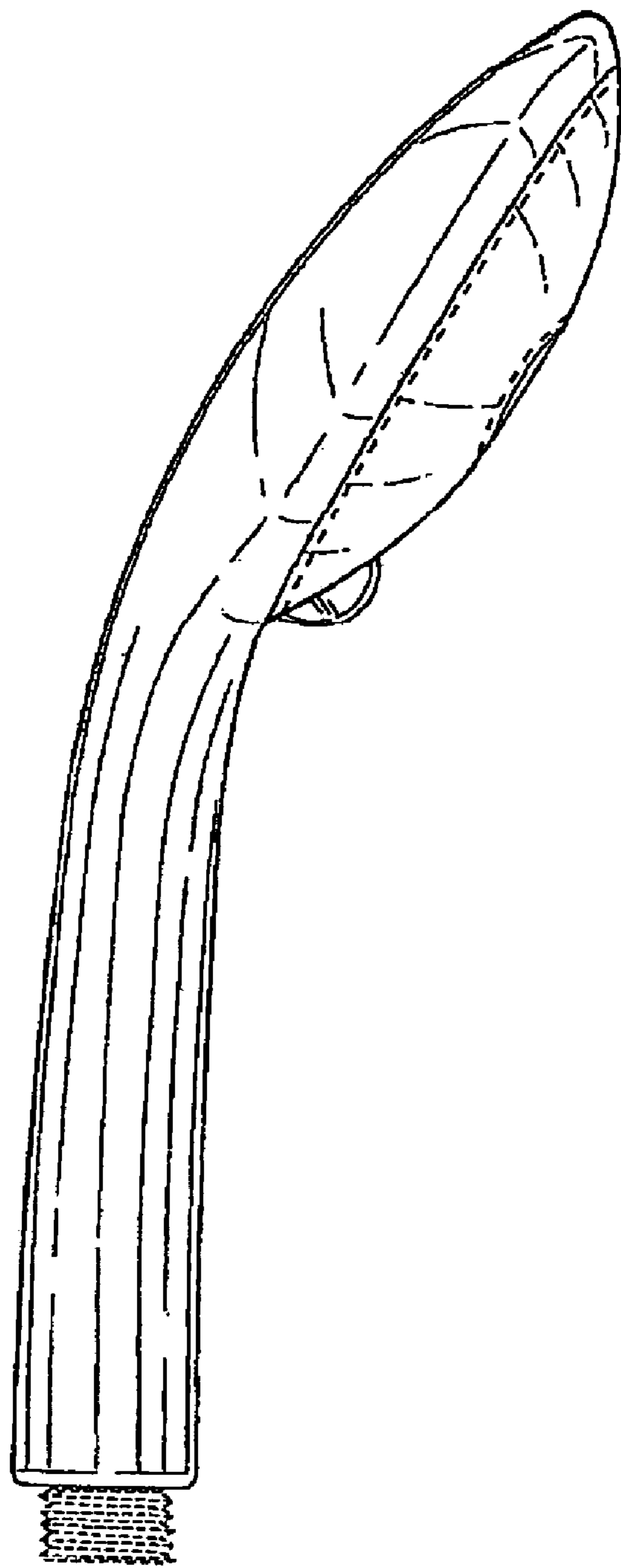


FIG. 2

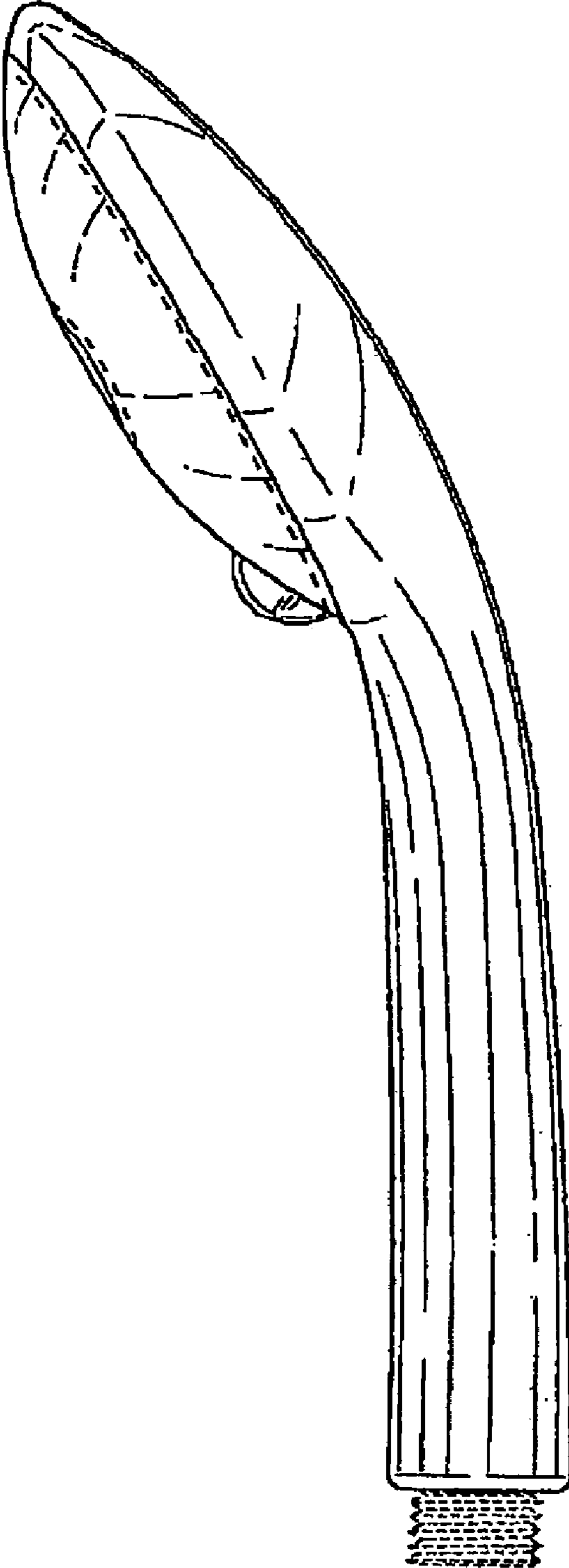


FIG. 3

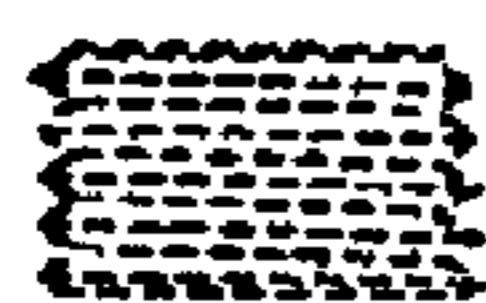
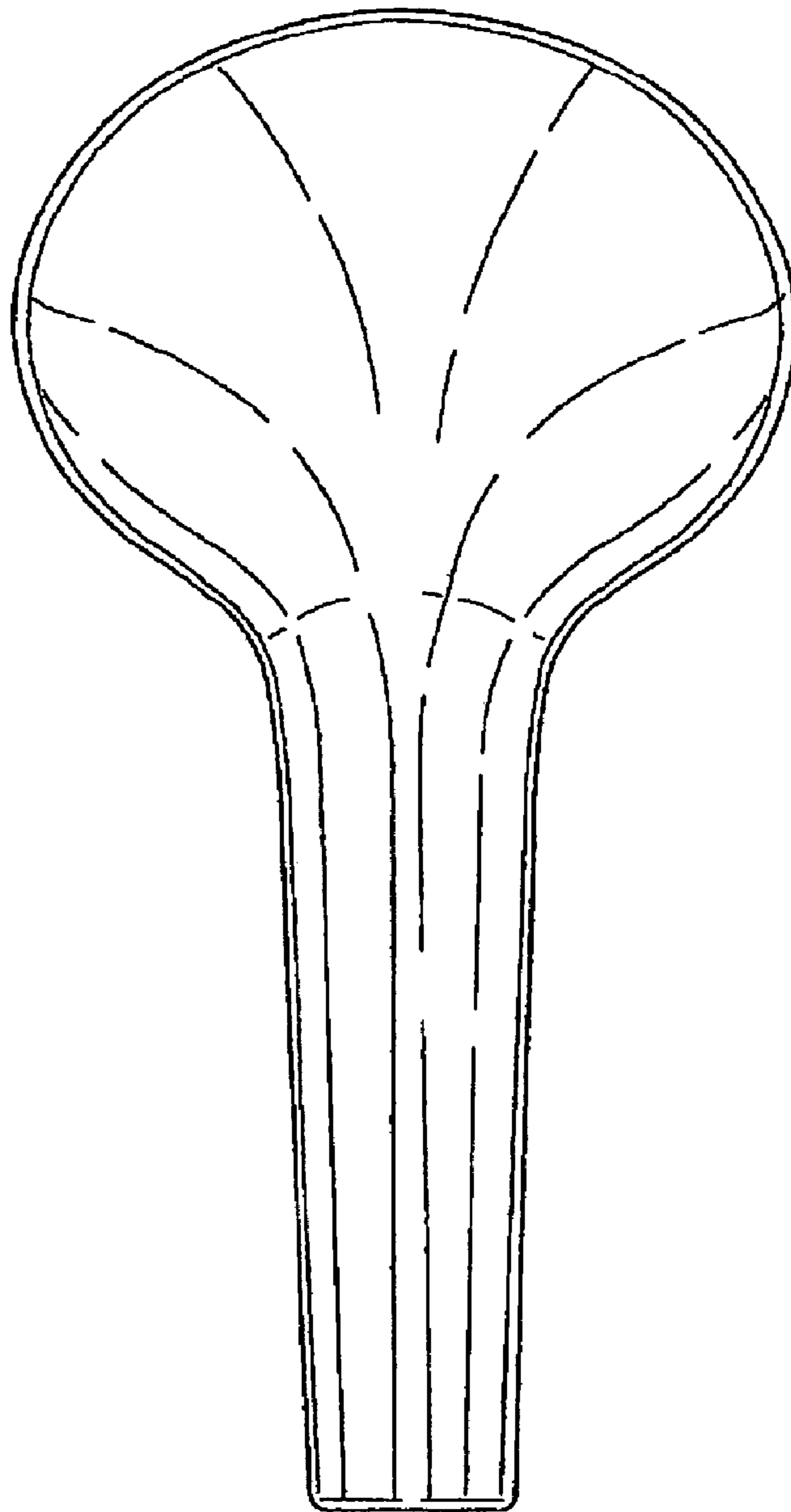


FIG. 4

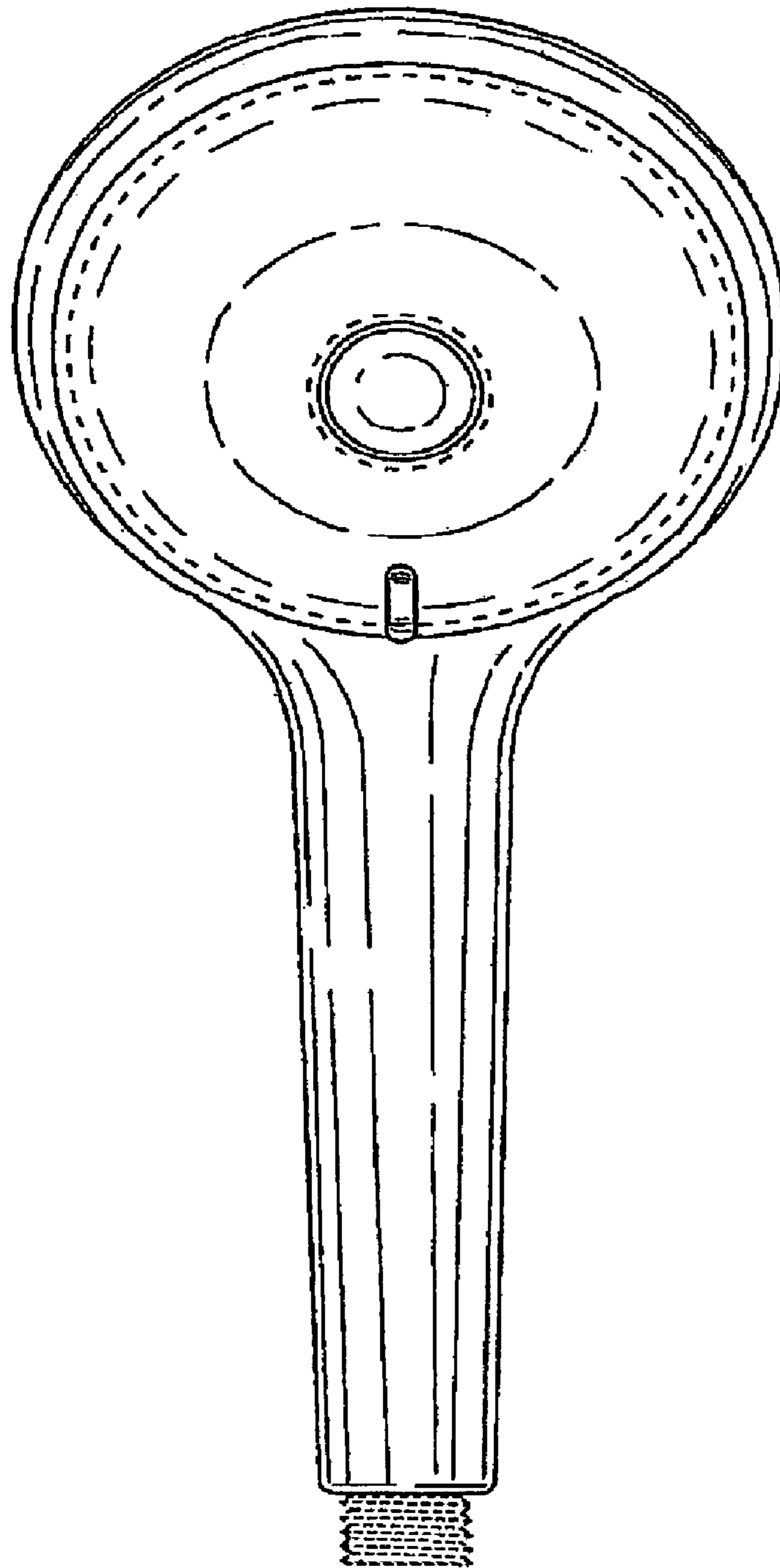


FIG. 5

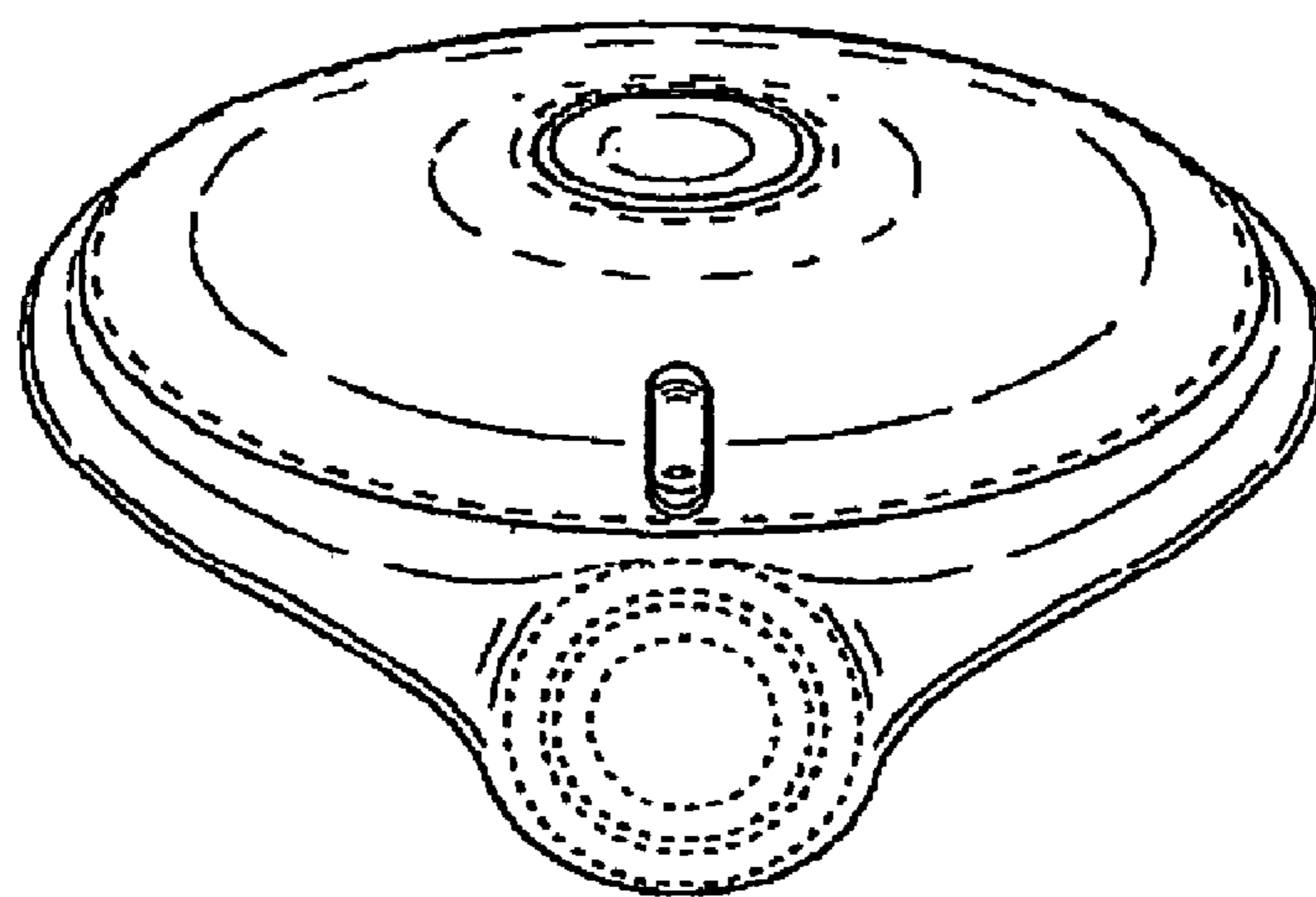


FIG. 6

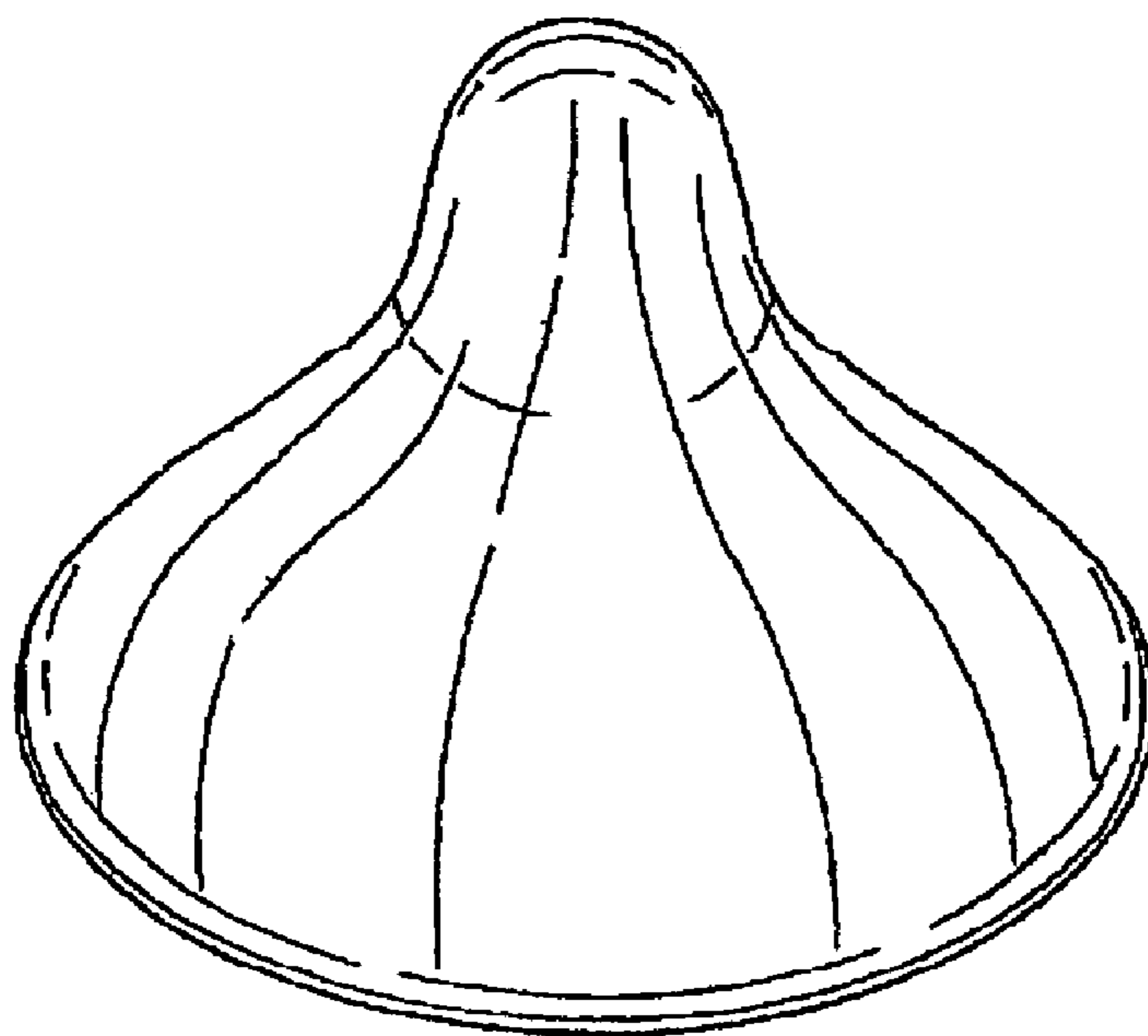


FIG. 7