



US00D591827S

(12) **United States Design Patent**
Huang

(10) **Patent No.:** **US D591,827 S**

(45) **Date of Patent:** **** May 5, 2009**

(54) **BLOW GUN**

D578,603 S * 10/2008 Khaitov D23/213
7,458,532 B2 * 12/2008 Sloan 239/593

(75) Inventor: **Tiao-Hsiang Huang**, Taipei Hsien (TW)

* cited by examiner

(73) Assignee: **Kuan Chang Co., Ltd**, Taipei County (TW)

Primary Examiner—Robin V Webster

(74) *Attorney, Agent, or Firm*—WPAT, P.C.; Anthony King

(**) Term: **14 Years**

(57) **CLAIM**

(21) Appl. No.: **29/321,446**

I claim, the ornamental design for a blow gun, as shown and described.

(22) Filed: **Jul. 16, 2008**

DESCRIPTION

(51) **LOC (9) Cl.** **23-01**

(52) **U.S. Cl.** **D23/223**

(58) **Field of Classification Search** D23/213,
D23/223, 226; 239/526, 600, 291

See application file for complete search history.

FIG. 1 is a perspective view of a blow gun showing my present design;

FIG. 2 is a front view thereof;

FIG. 3 is a rear view thereof;

FIG. 4 is a left view thereof;

FIG. 5 is a right view thereof;

FIG. 6 is a top plan view thereof; and,

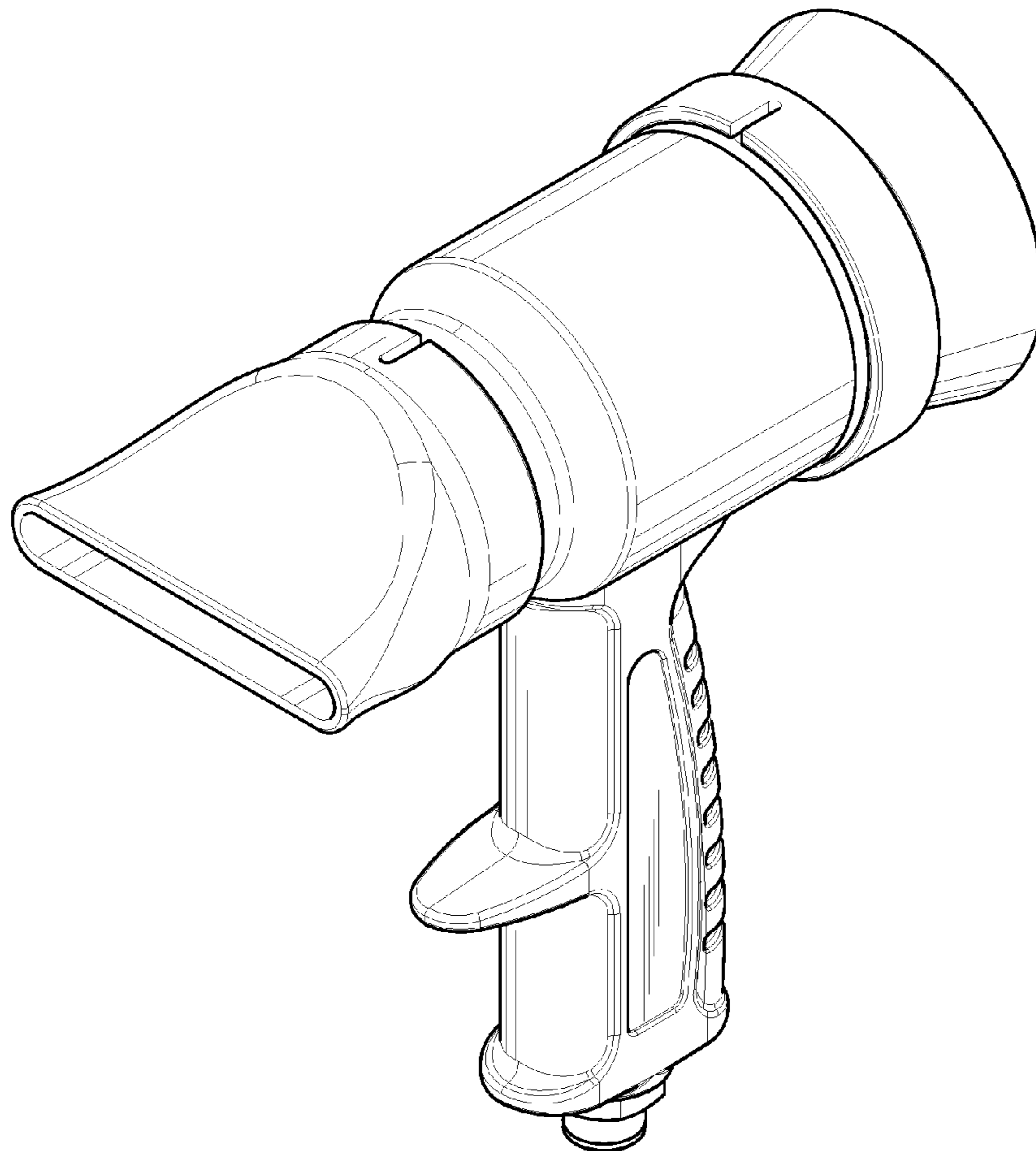
FIG. 7 is a bottom plan view.

(56) **References Cited**

U.S. PATENT DOCUMENTS

D428,471 S * 7/2000 Gustafsson D23/226
6,318,642 B1 * 11/2001 Goenka et al. 239/8
D507,036 S * 7/2005 Khaitov D23/226
7,427,039 B1 * 9/2008 Jou 239/428.5

1 Claim, 7 Drawing Sheets



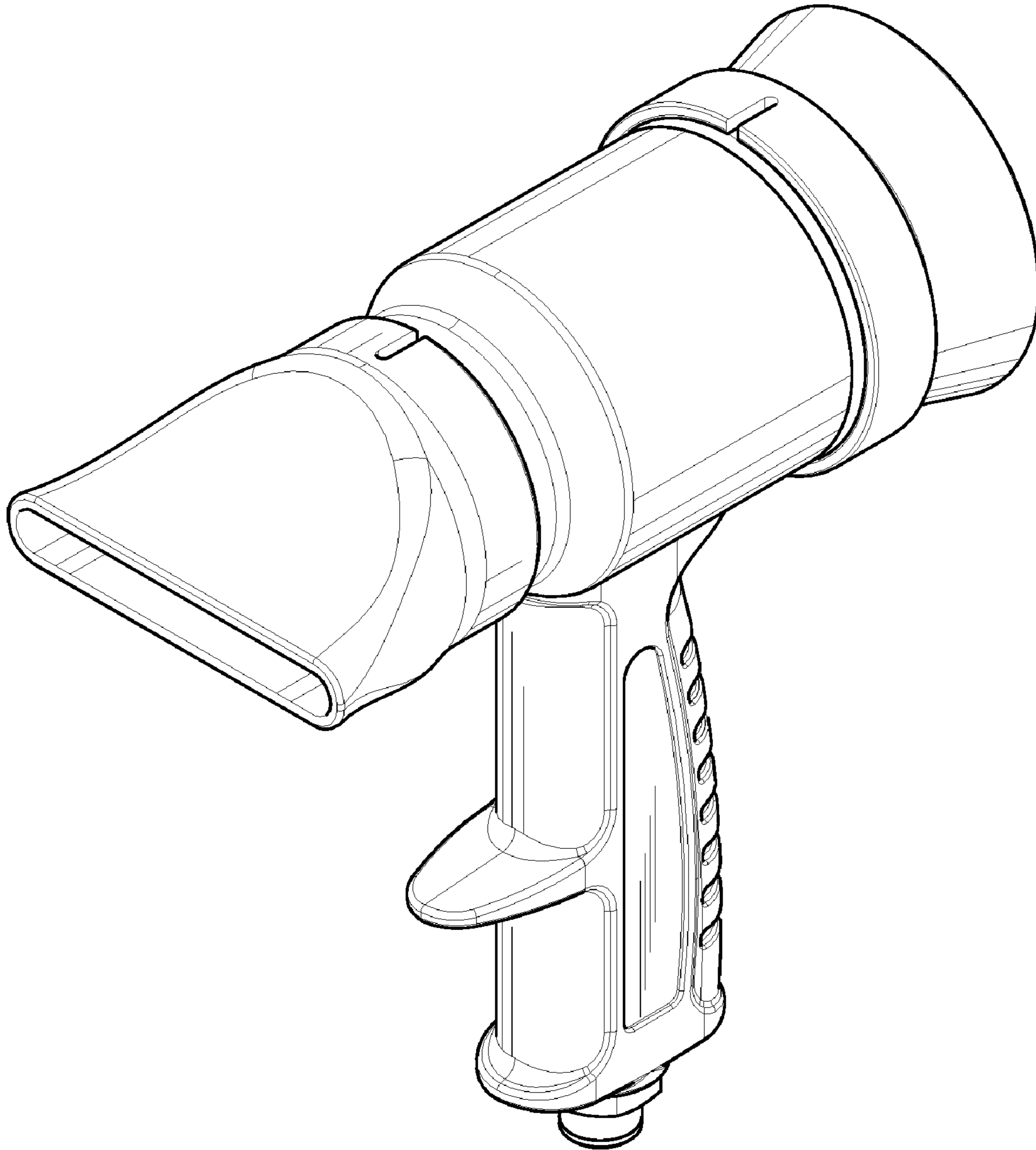


FIG. 1

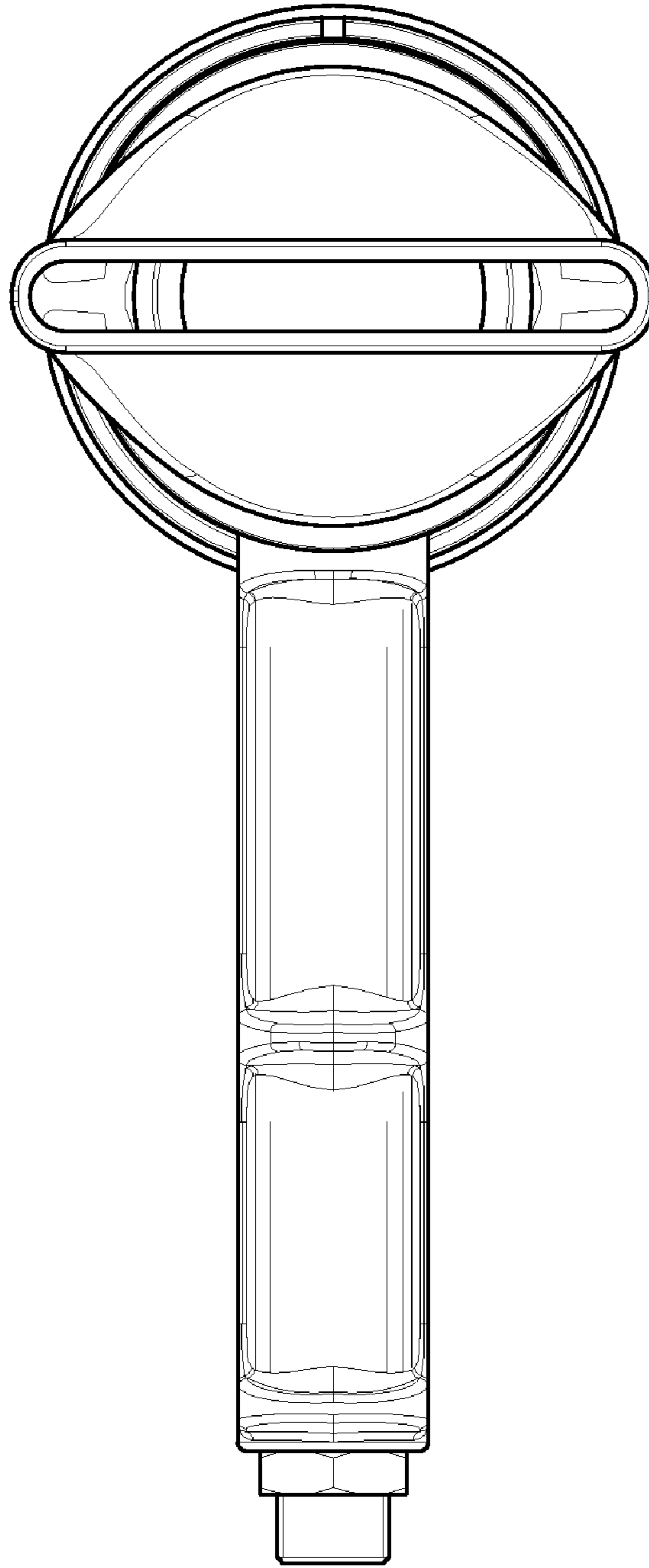


FIG. 2

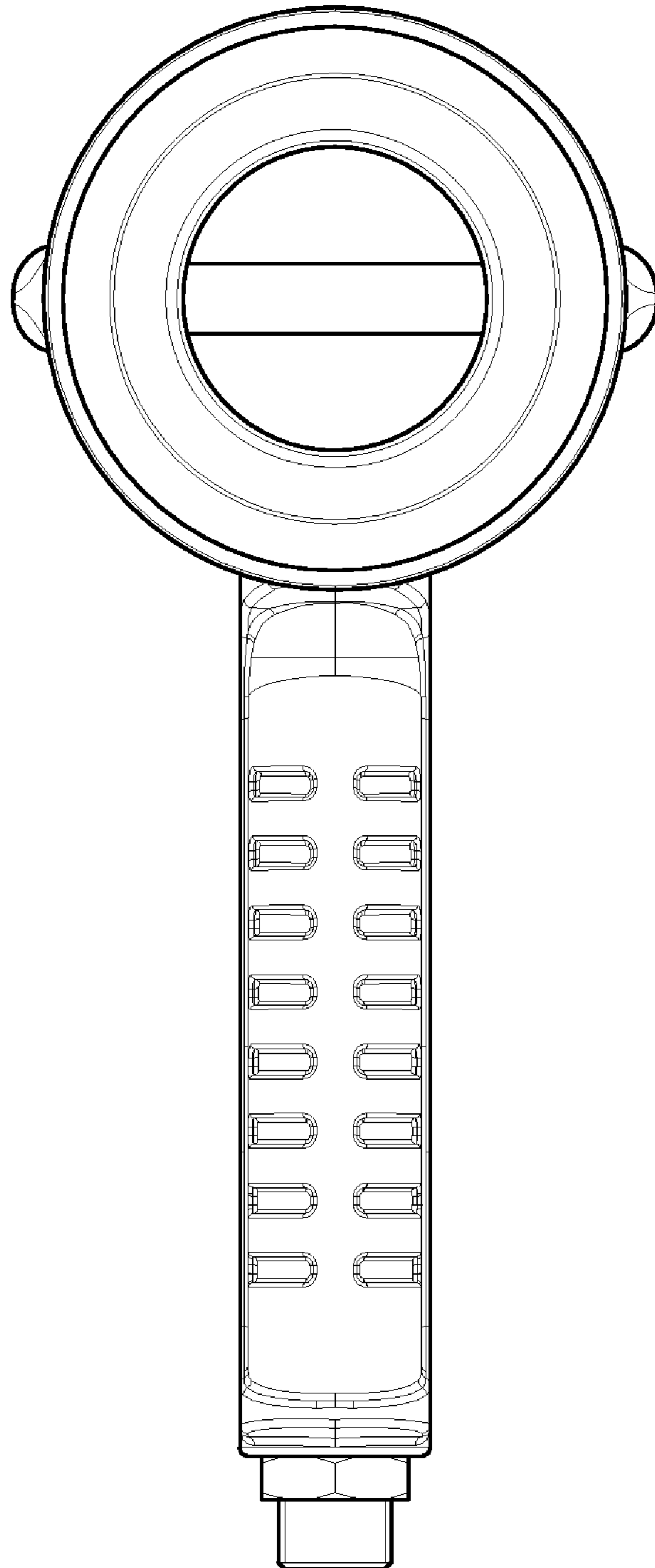


FIG. 3

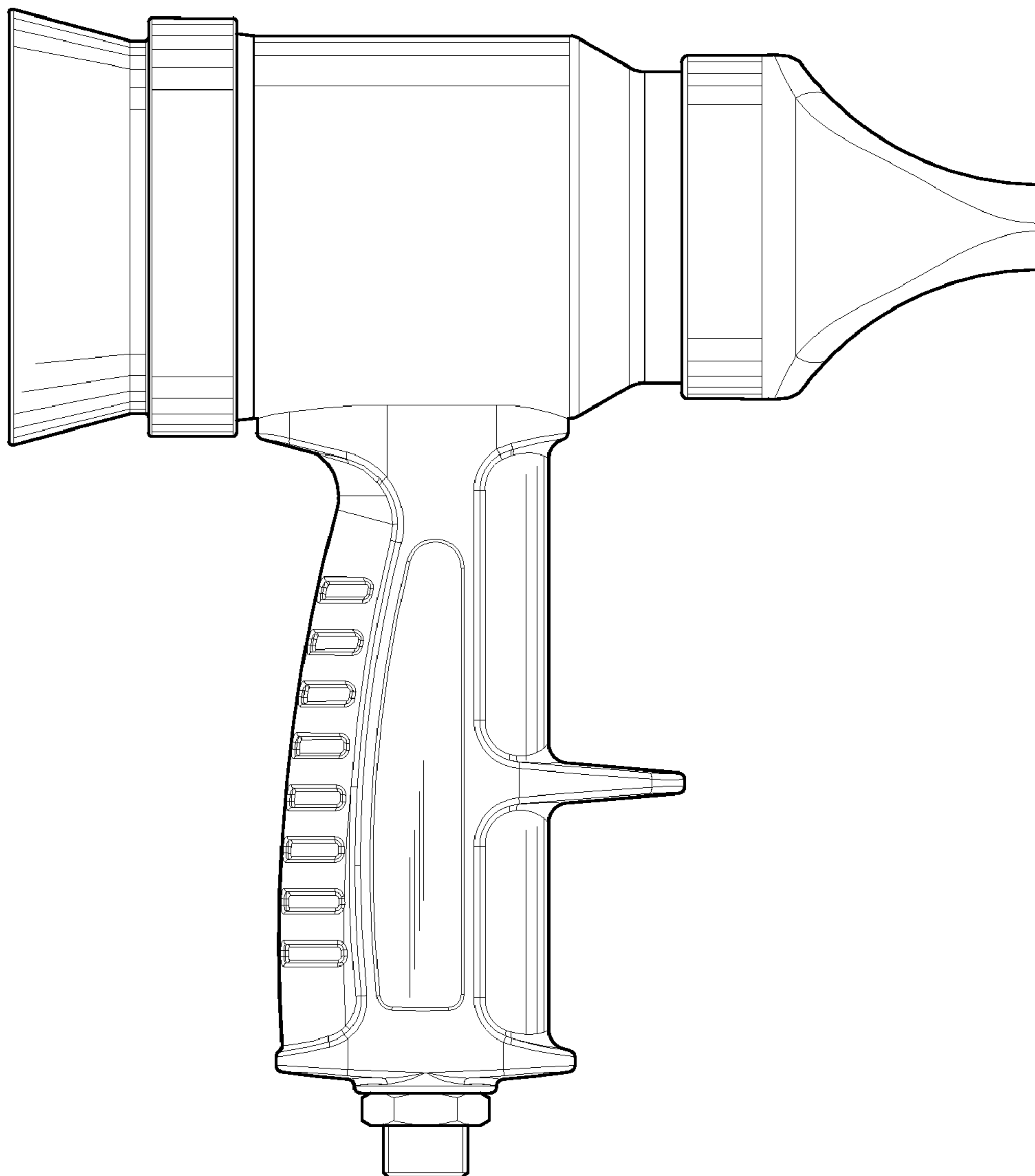


FIG. 4

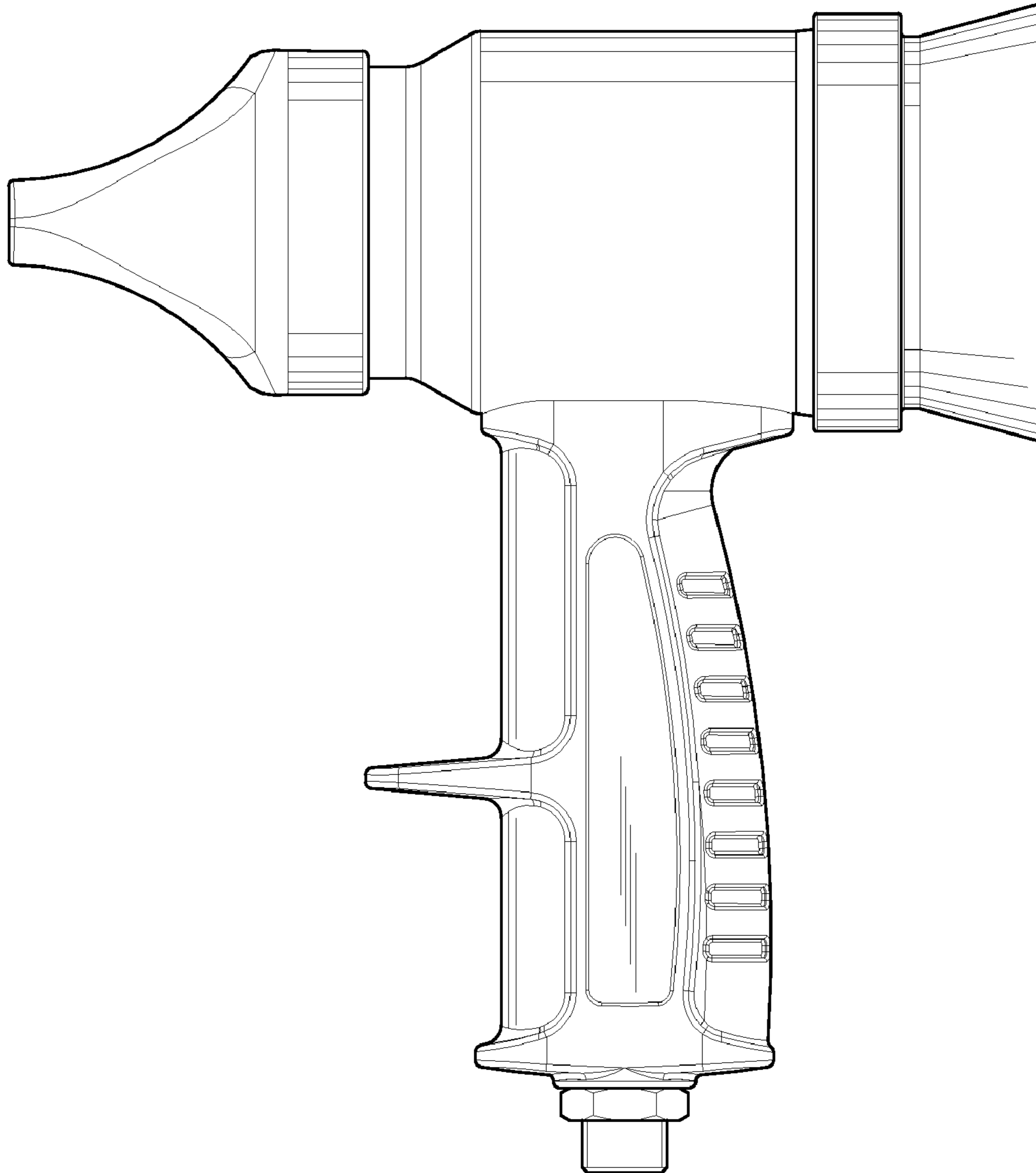


FIG. 5

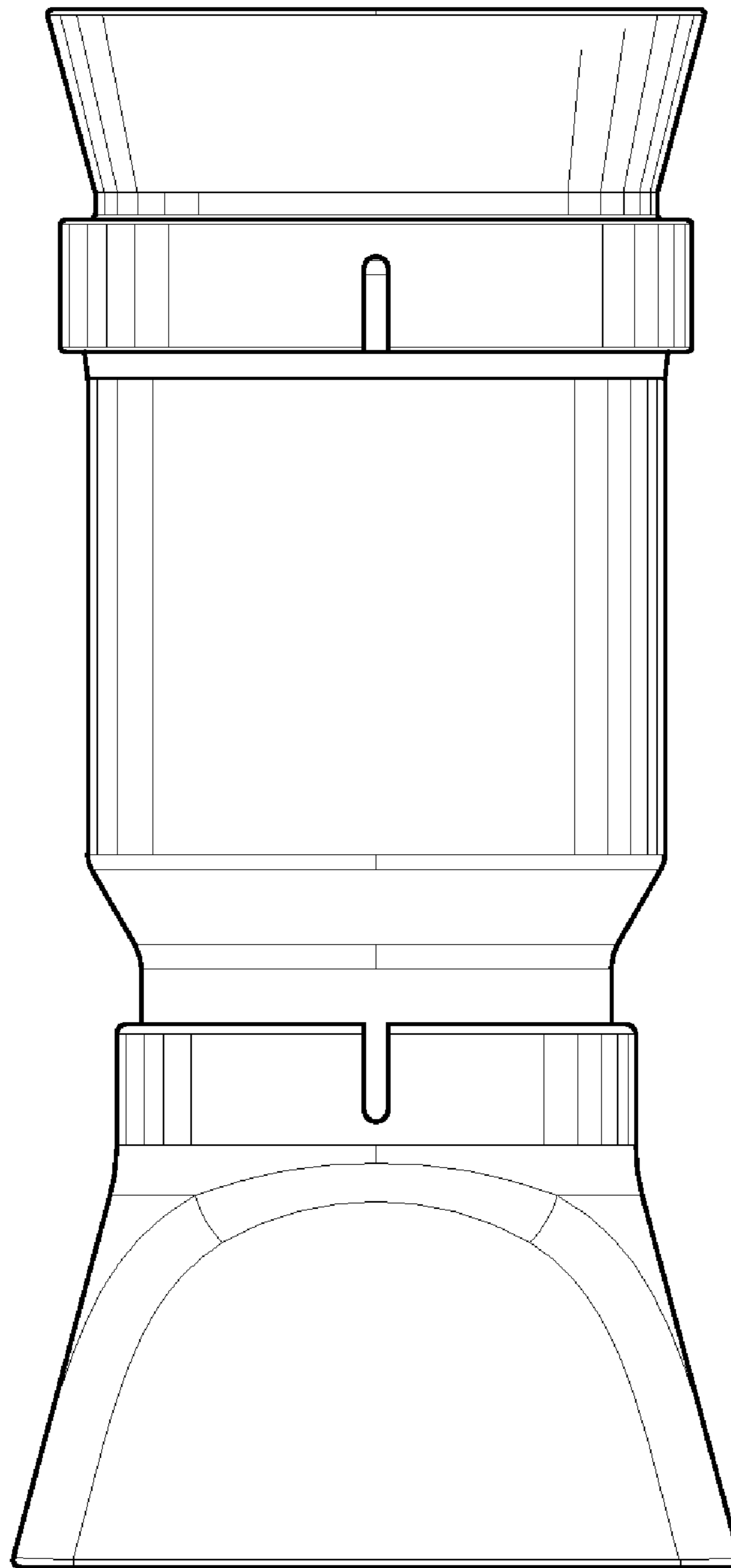


FIG. 6

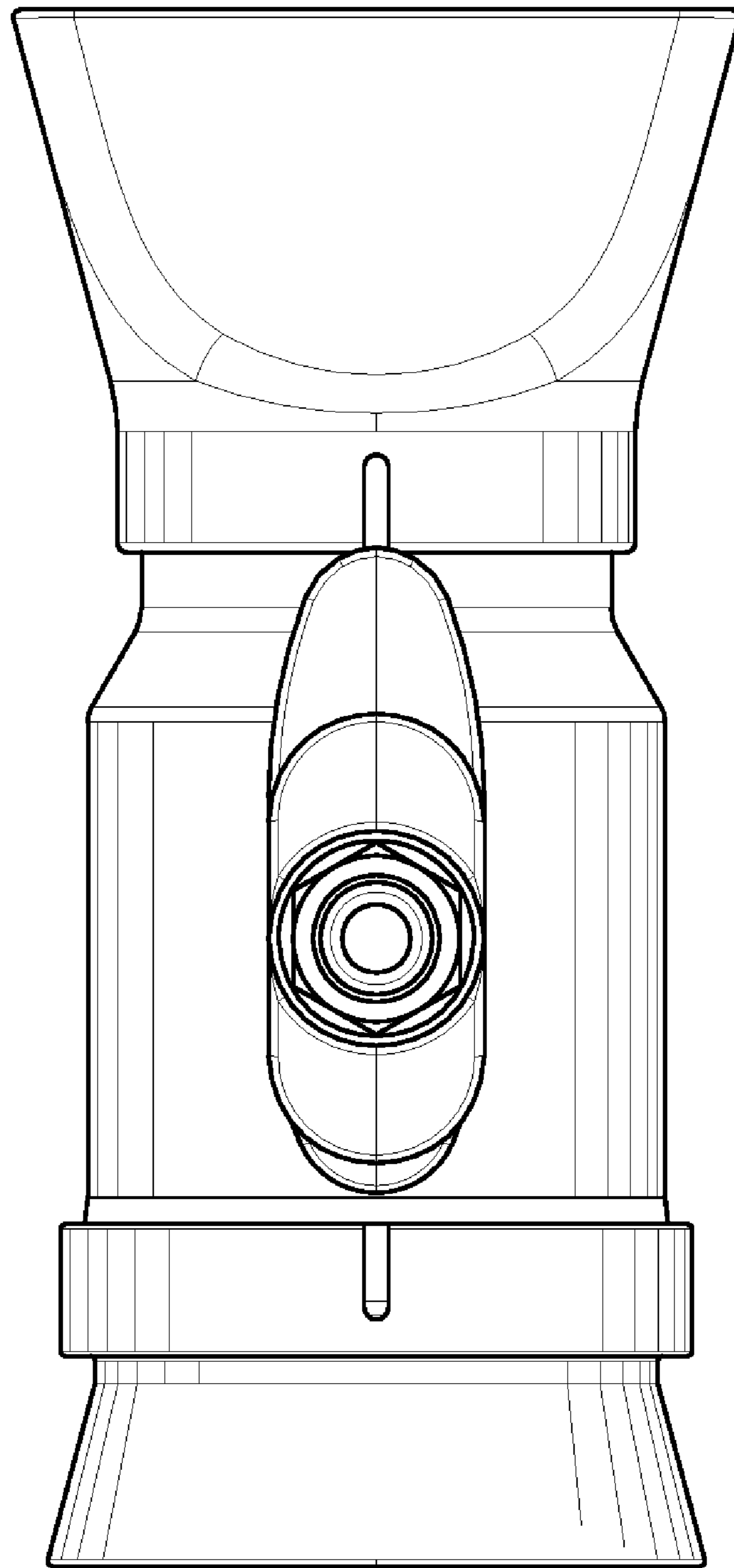


FIG. 7