



US00D591826S

(12) **United States Design Patent**  
**Lobermeier**

(10) **Patent No.:** **US D591,826 S**

(45) **Date of Patent:** **\*\* May 5, 2009**

(54) **SPRAY HEAD**

(75) Inventor: **Hans Lobermeier**, Menden (DE)

(73) Assignee: **Grohe AG**, Hemer (DE)

(\*\*) Term: **14 Years**

(21) Appl. No.: **29/322,898**

(22) Filed: **Aug. 14, 2008**

(30) **Foreign Application Priority Data**

Feb. 14, 2008 (EM) ..... 000878889-0006

(51) **LOC (9) Cl.** ..... **23-01**

(52) **U.S. Cl.** ..... **D23/213; D23/229**

(58) **Field of Classification Search** ..... D23/213,  
D23/223, 229-230; 239/282-283; 4/567,  
4/615

See application file for complete search history.

(56) **References Cited**

**U.S. PATENT DOCUMENTS**

D333,338 S \* 2/1993 Klose ..... D23/213

D486,556 S \* 2/2004 Lobermeier ..... D23/229

D538,390 S \* 3/2007 Sallick et al. .... D23/213

\* cited by examiner

*Primary Examiner*—Robin V Webster

(74) *Attorney, Agent, or Firm*—Muncy, Geissler, Olds & Lowe, PLLC

(57) **CLAIM**

The ornamental design of a spray head, as shown and described.

**DESCRIPTION**

FIG. 1 is a perspective view of a spray head of the present invention;

FIG. 2 is a left side elevational view of the spray head of FIG. 1;

FIG. 3 is a right side elevational view of the spray head of FIG. 1;

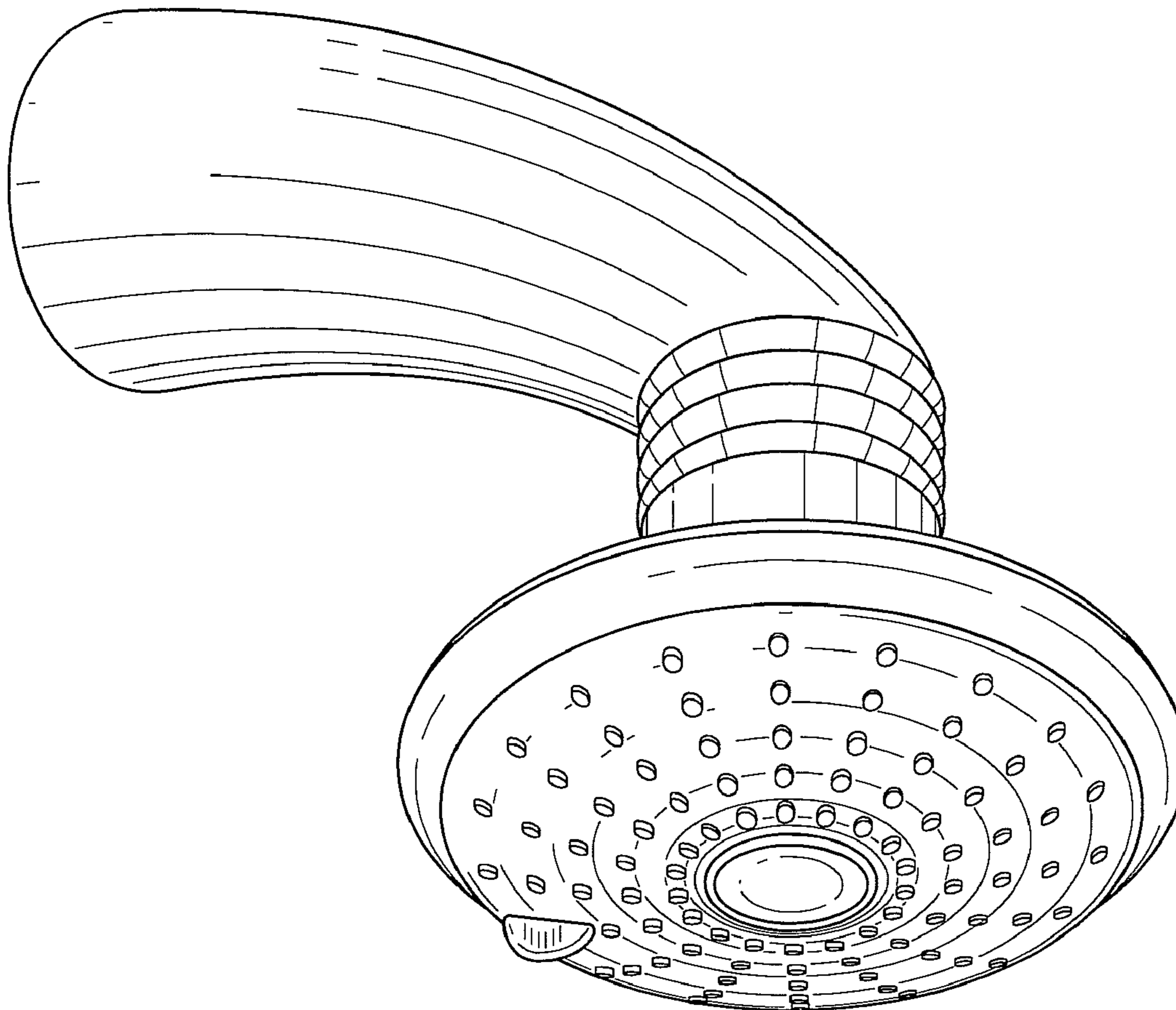
FIG. 4 is a rear elevational view of the spray head of FIG. 1;

FIG. 5 is a front elevational view of the spray head of FIG. 1;

FIG. 6 is a bottom plan view of the spray head of FIG. 1; and,

FIG. 7 is a top plan view of the spray head of FIG. 1.

**1 Claim, 7 Drawing Sheets**



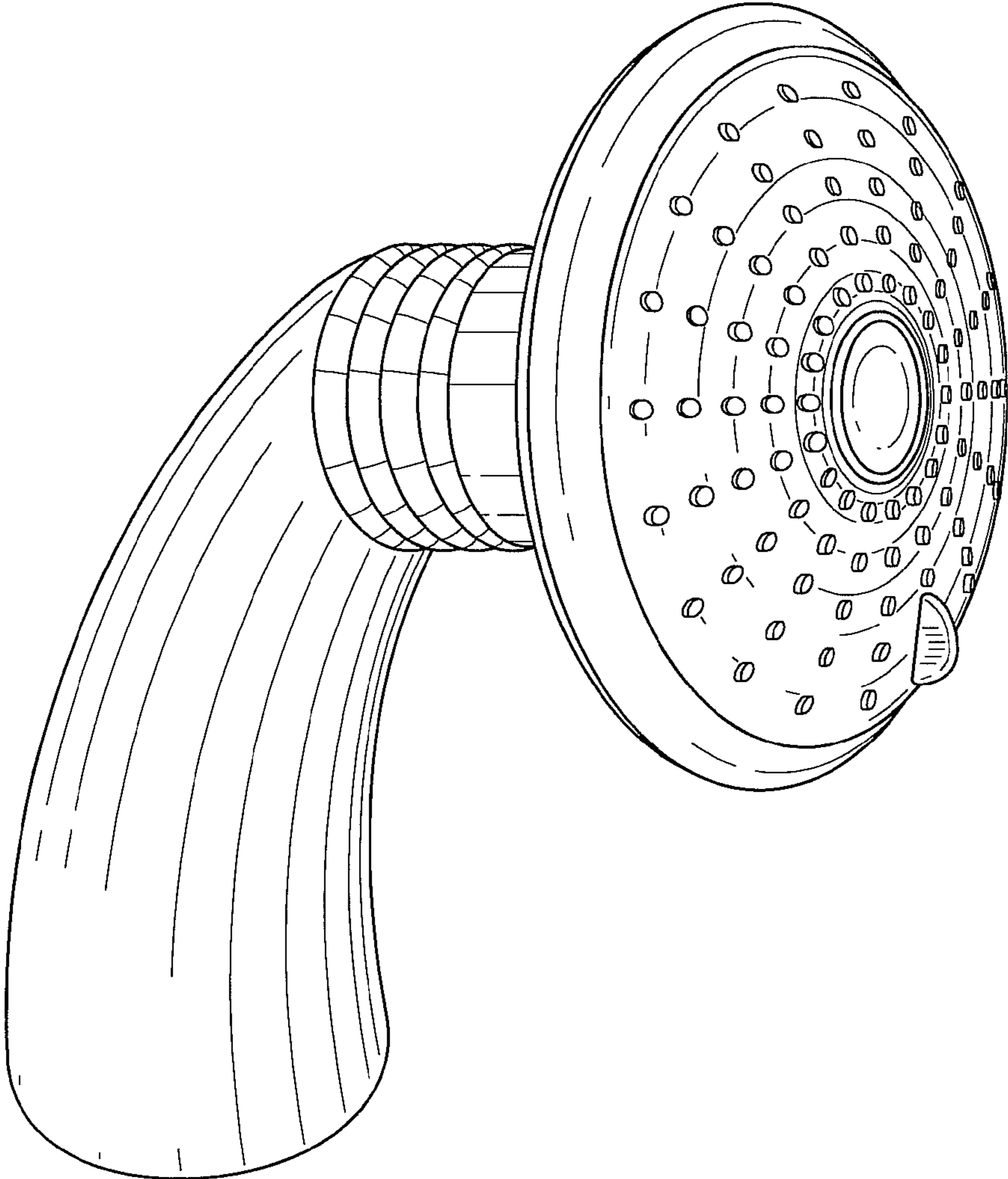


FIG. 1

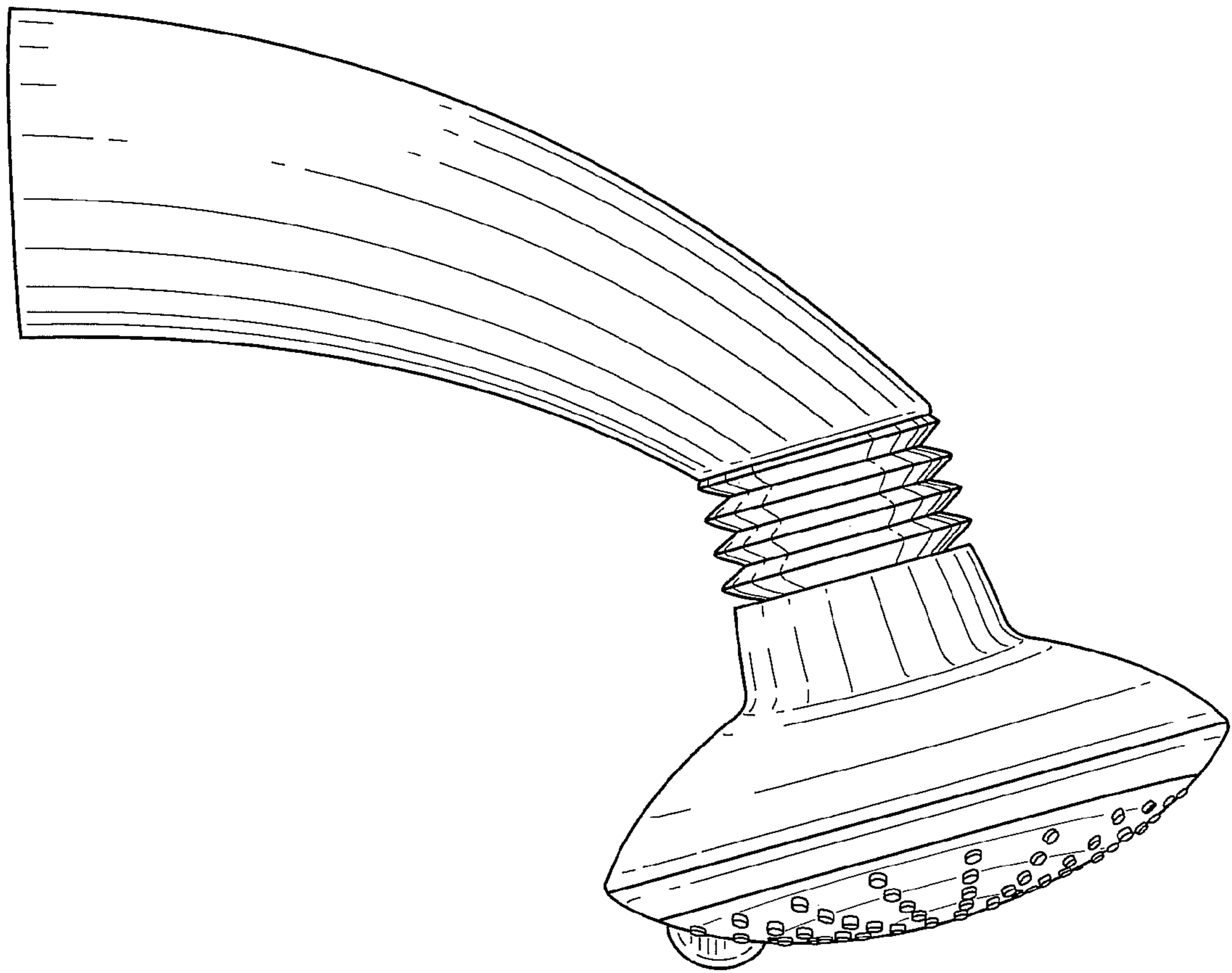


FIG. 2

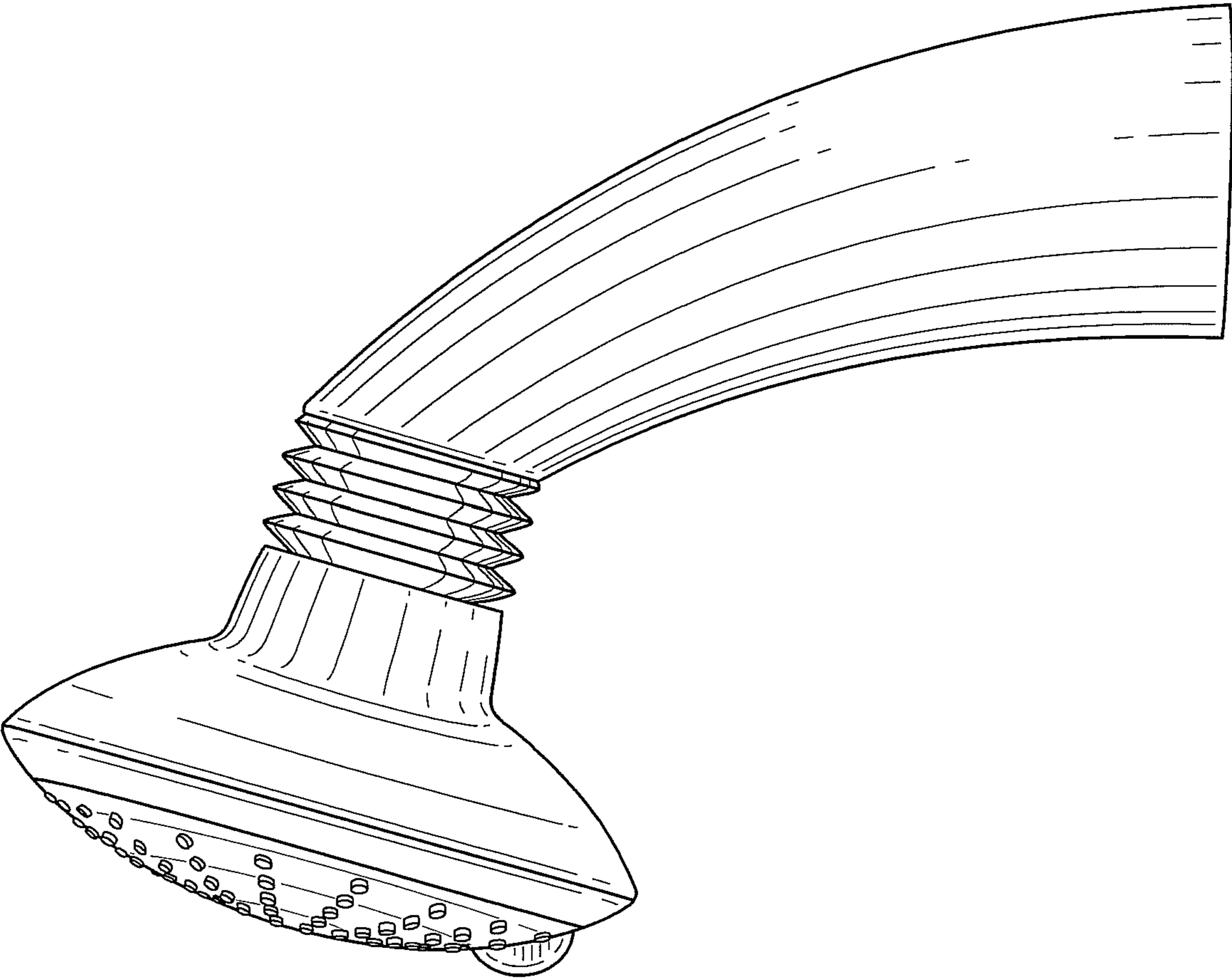
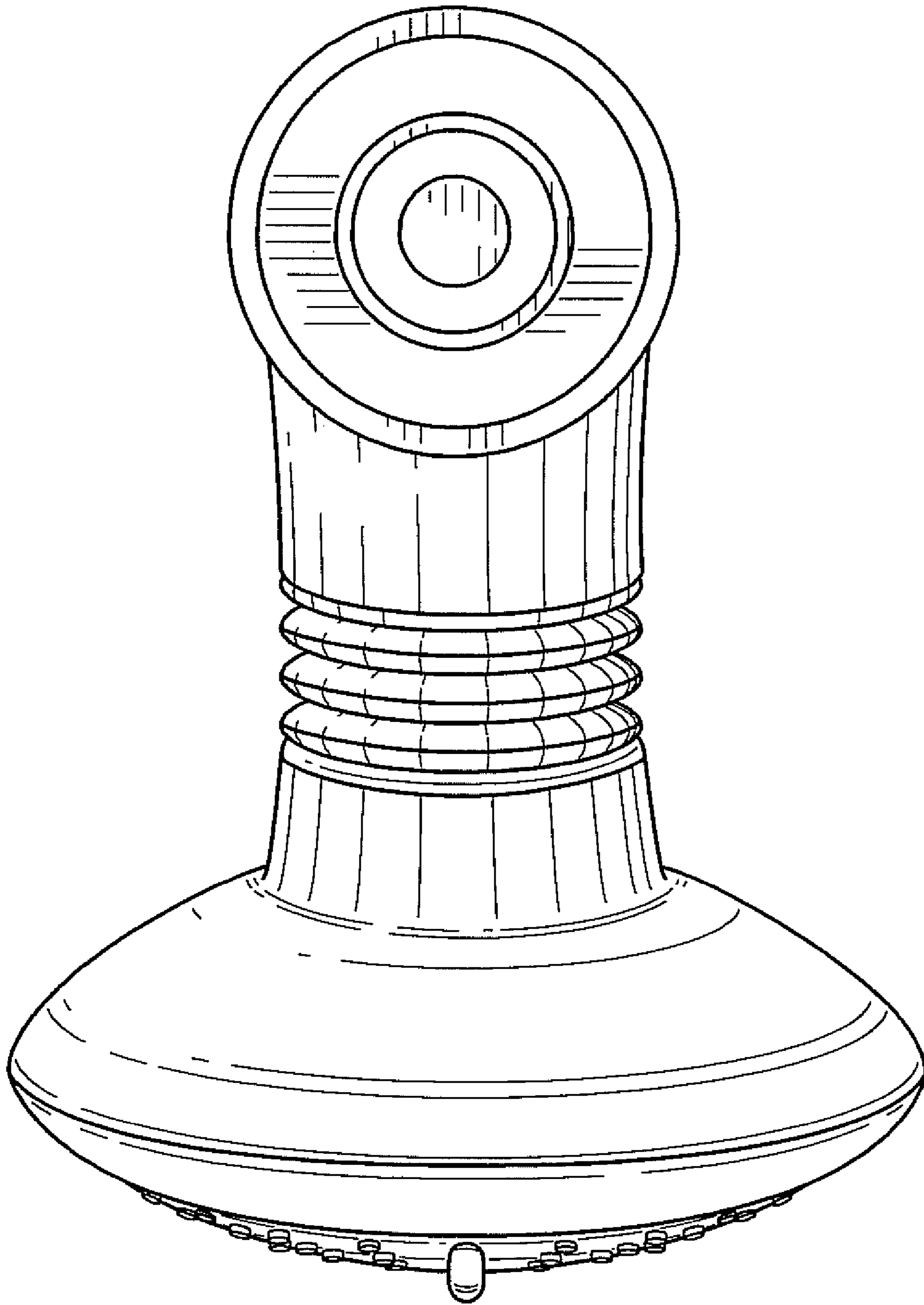
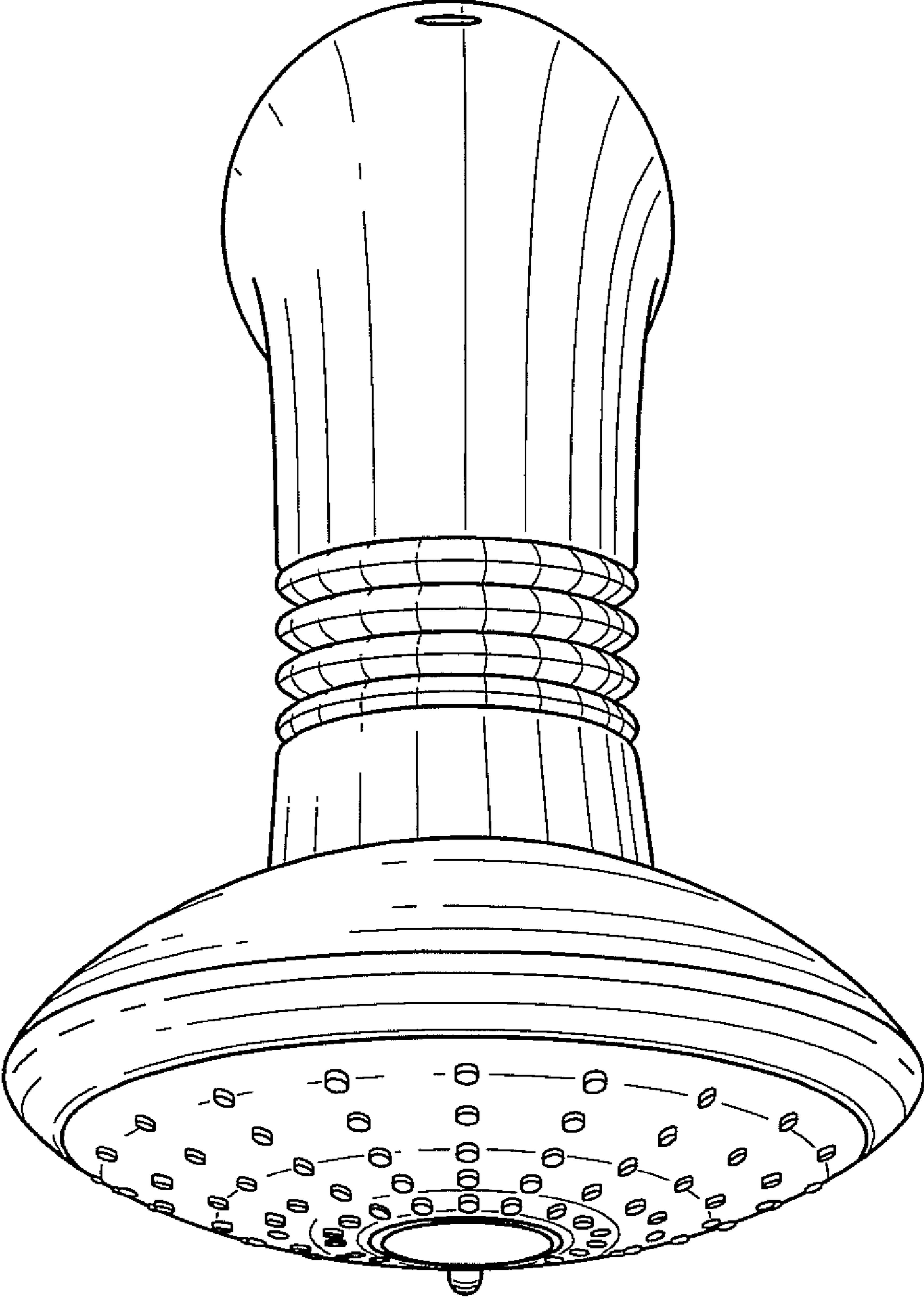


FIG. 3



**FIG. 4**



**FIG. 5**

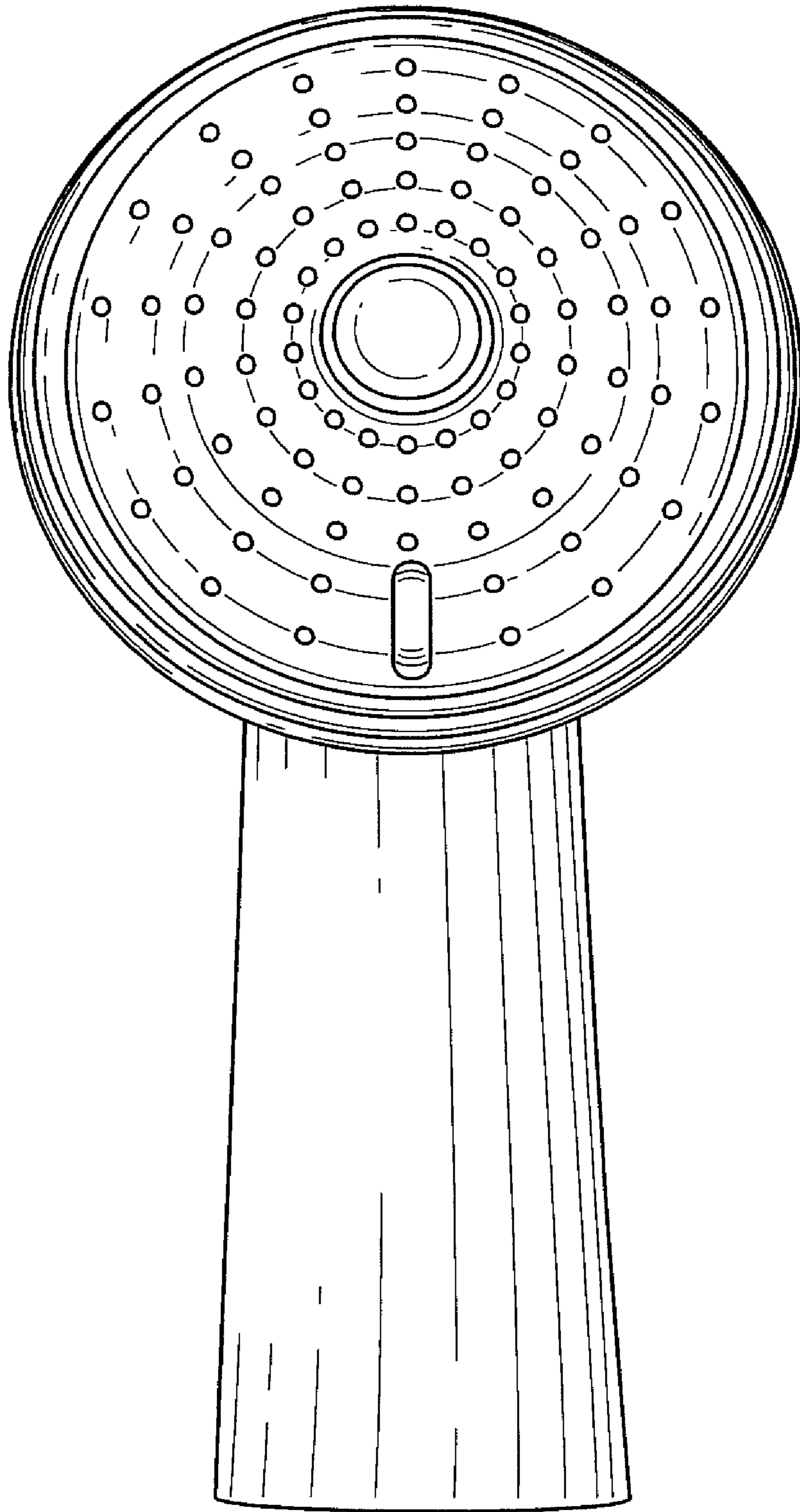


FIG. 6

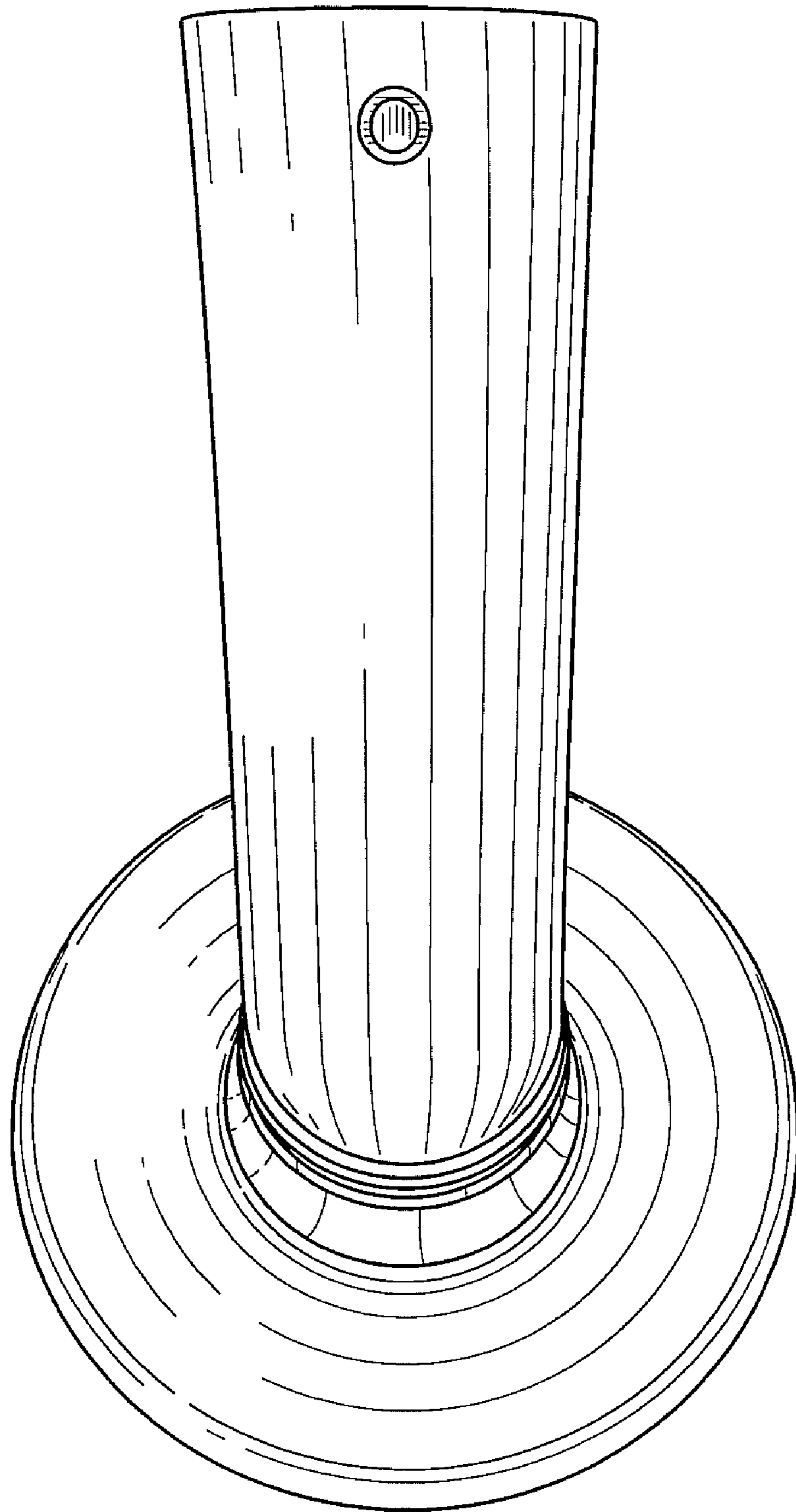


FIG. 7