



US00D591825S

(12) **United States Design Patent**
Quintel

(10) **Patent No.:** **US D591,825 S**

(45) **Date of Patent:** **** May 5, 2009**

(54) **FILTER HOUSING**

(75) Inventor: **Mark Anthony Quintel**, Kalamazoo, MI
(US)

(73) Assignee: **Eaton Corporation**, Cleveland, OH
(US)

(**) Term: **14 Years**

(21) Appl. No.: **29/308,812**

(22) Filed: **Jul. 9, 2008**

Related U.S. Application Data

(62) Division of application No. 29/289,685, filed on Jul. 30, 2007, now Pat. No. Des. 579,077.

(51) **LOC (9) Cl.** **23-01**

(52) **U.S. Cl.** **D23/209**

(58) **Field of Classification Search** D23/207,
D23/209; 210/250, 446

See application file for complete search history.

(56) **References Cited**

U.S. PATENT DOCUMENTS

5,992,643 A * 11/1999 Scrogam et al. 210/439

6,372,132 B1 * 4/2002 Williams 210/232
D507,325 S * 7/2005 McClean D23/207
D508,281 S * 8/2005 McClean D23/207
7,018,544 B2 * 3/2006 Veenstra et al. 210/748
7,217,364 B2 * 5/2007 Lauer et al. 210/321.79

* cited by examiner

Primary Examiner—Robin V Webster

(74) *Attorney, Agent, or Firm*—Daniel S. Kalka

(57) **CLAIM**

The ornamental design for a filter housing, as shown and described.

DESCRIPTION

FIG. 1 is an elevated perspective view of the filter housing;

FIG. 2 is a top view of the filter housing;

FIG. 3 is a back view of the filter housing;

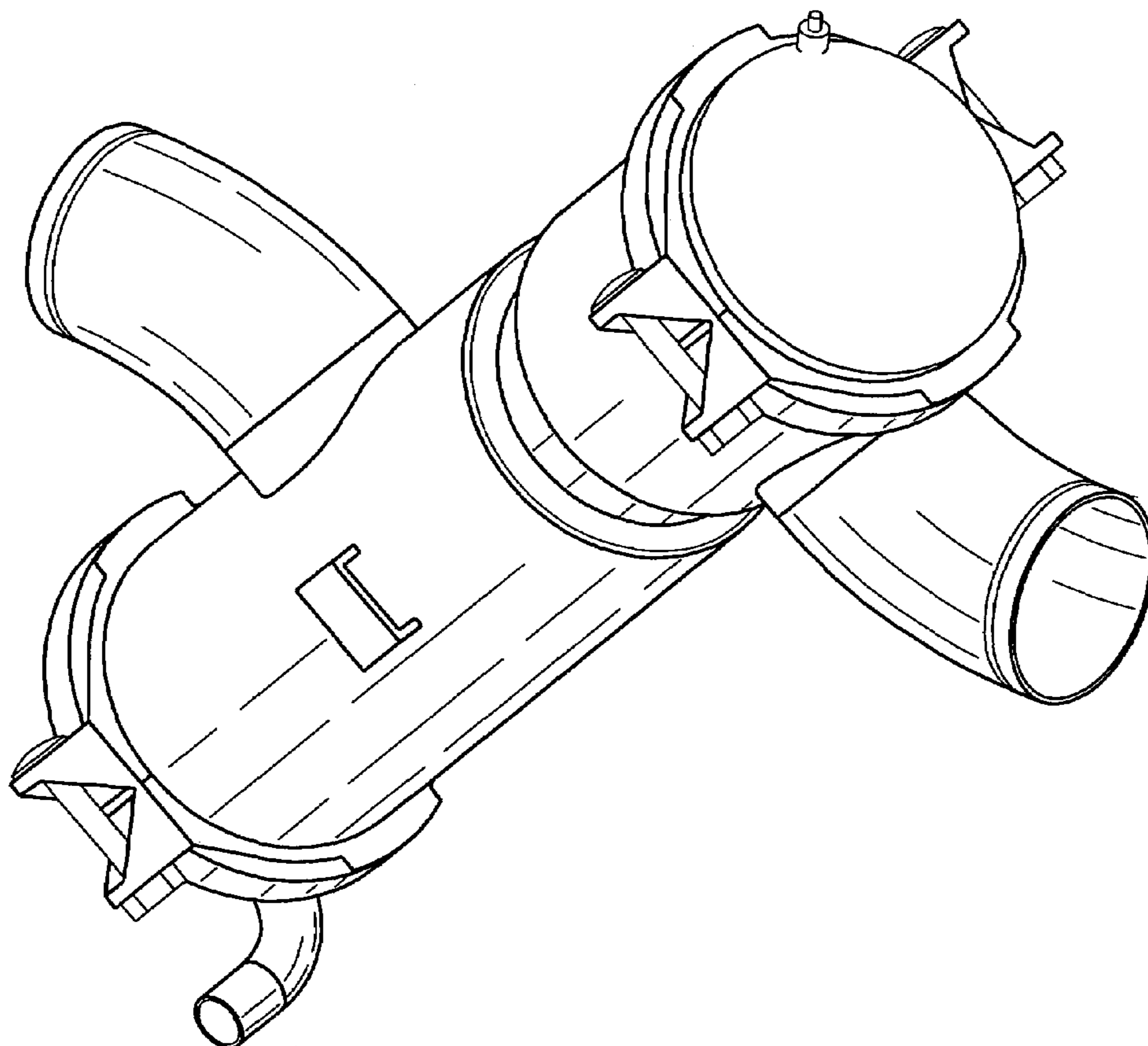
FIG. 4 is a right side view of the filter housing;

FIG. 5 is a front view of the filter housing;

FIG. 6 is a left side view of the filter housing; and,

FIG. 7 is a bottom view of the filter housing.

1 Claim, 3 Drawing Sheets



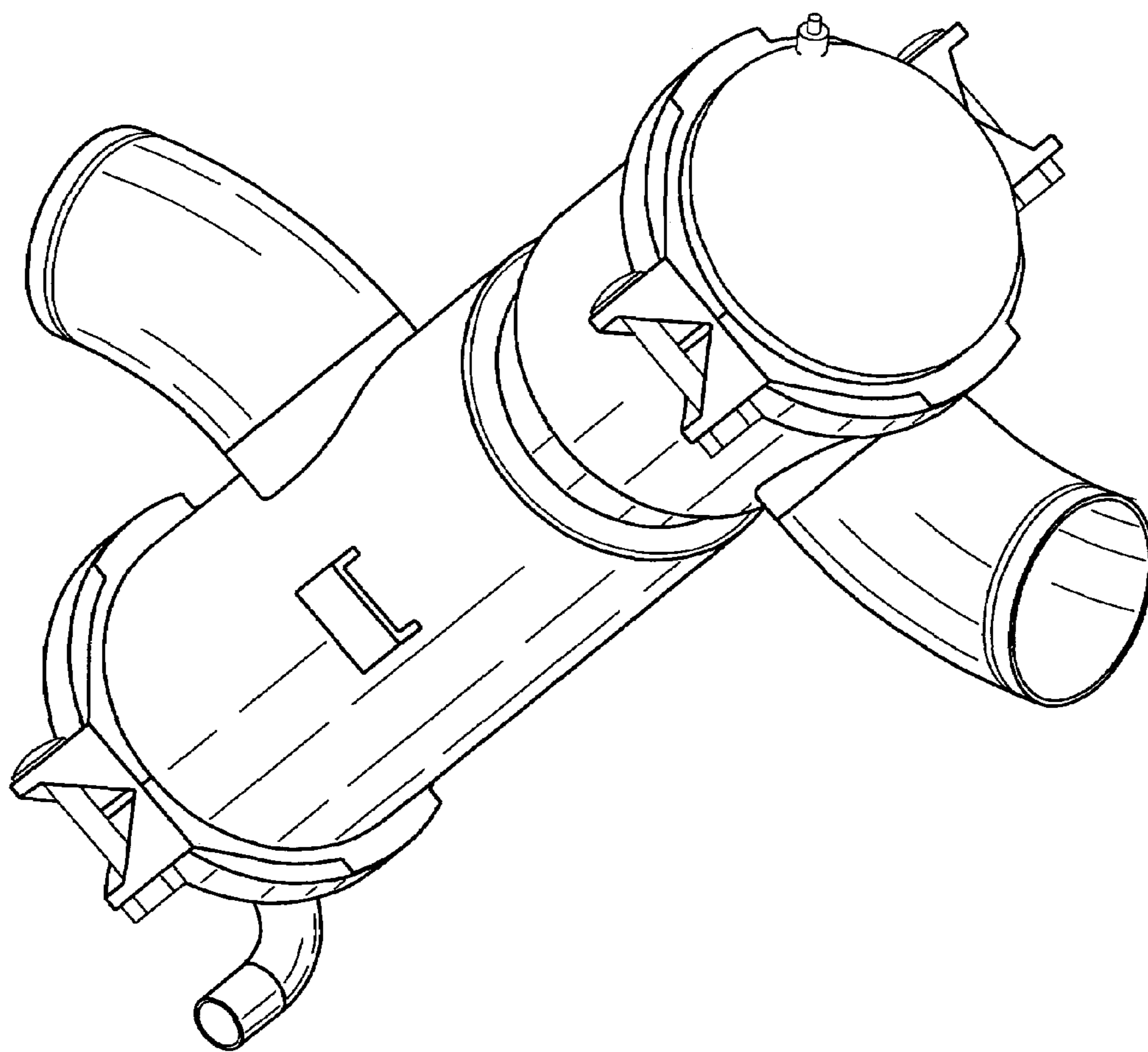


Fig. 1

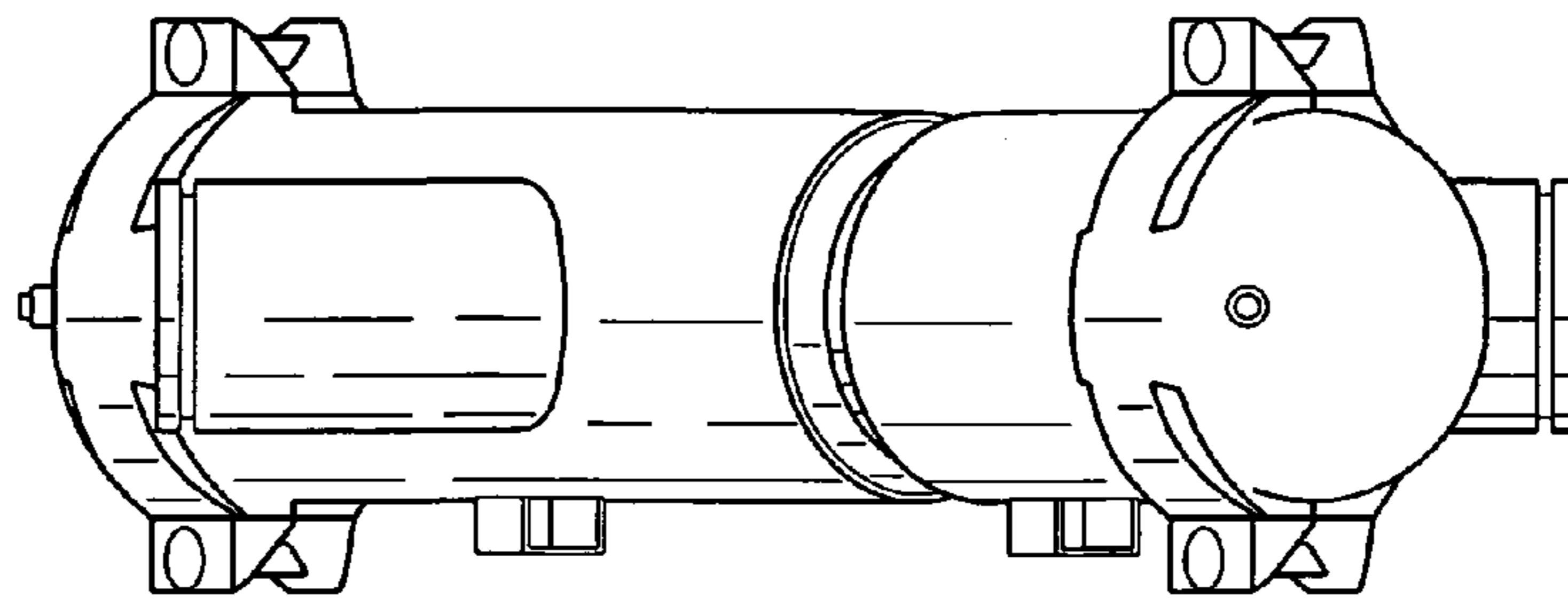


Fig. 2

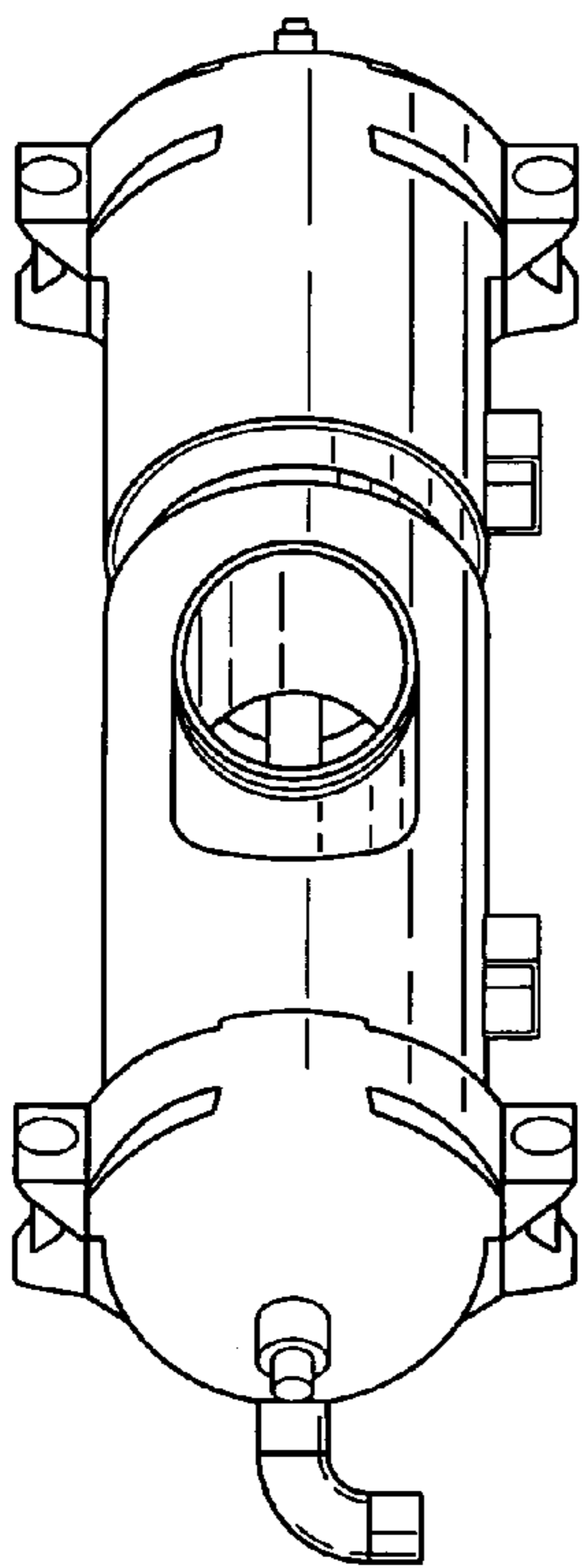


Fig. 3

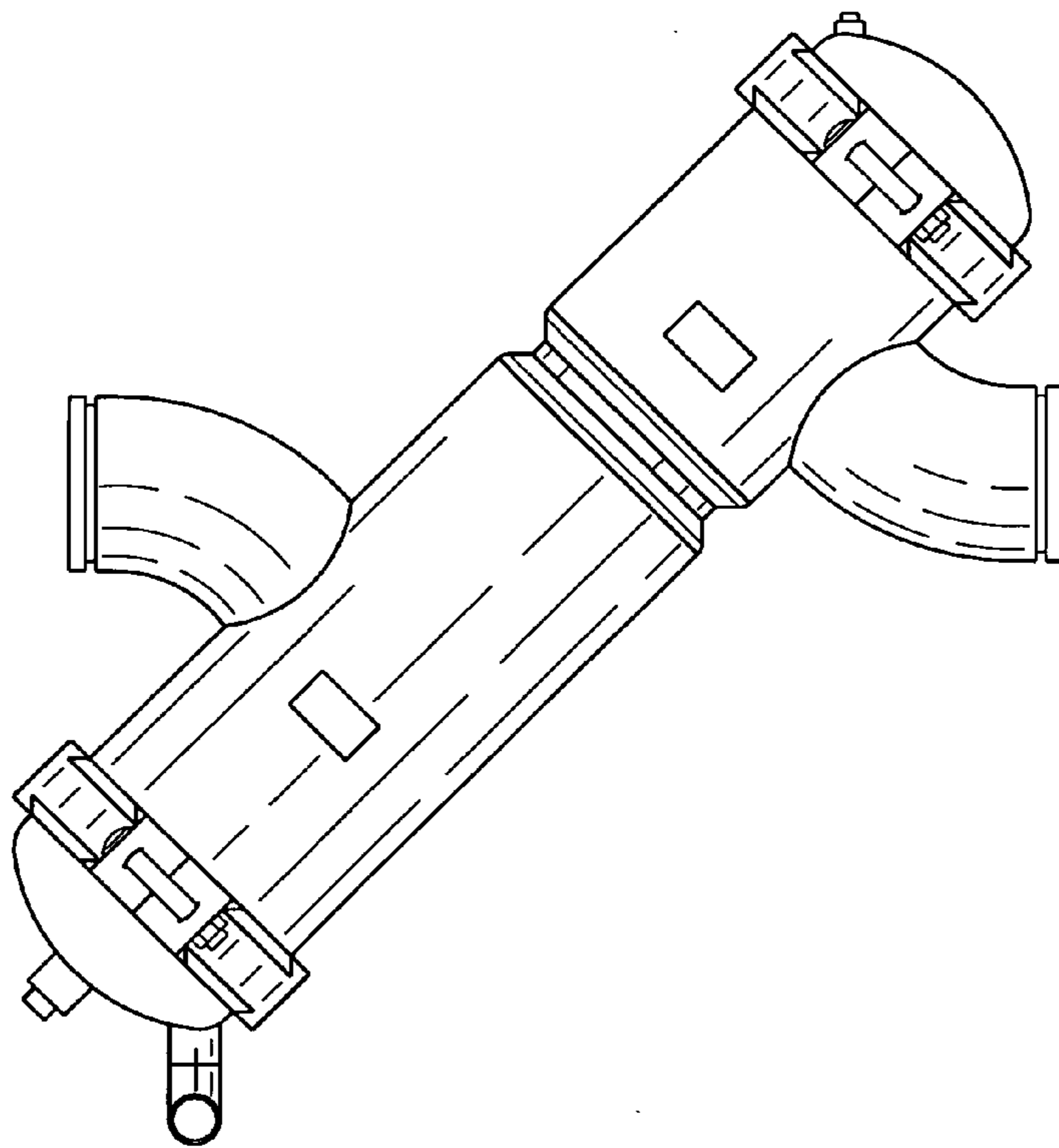


Fig. 4

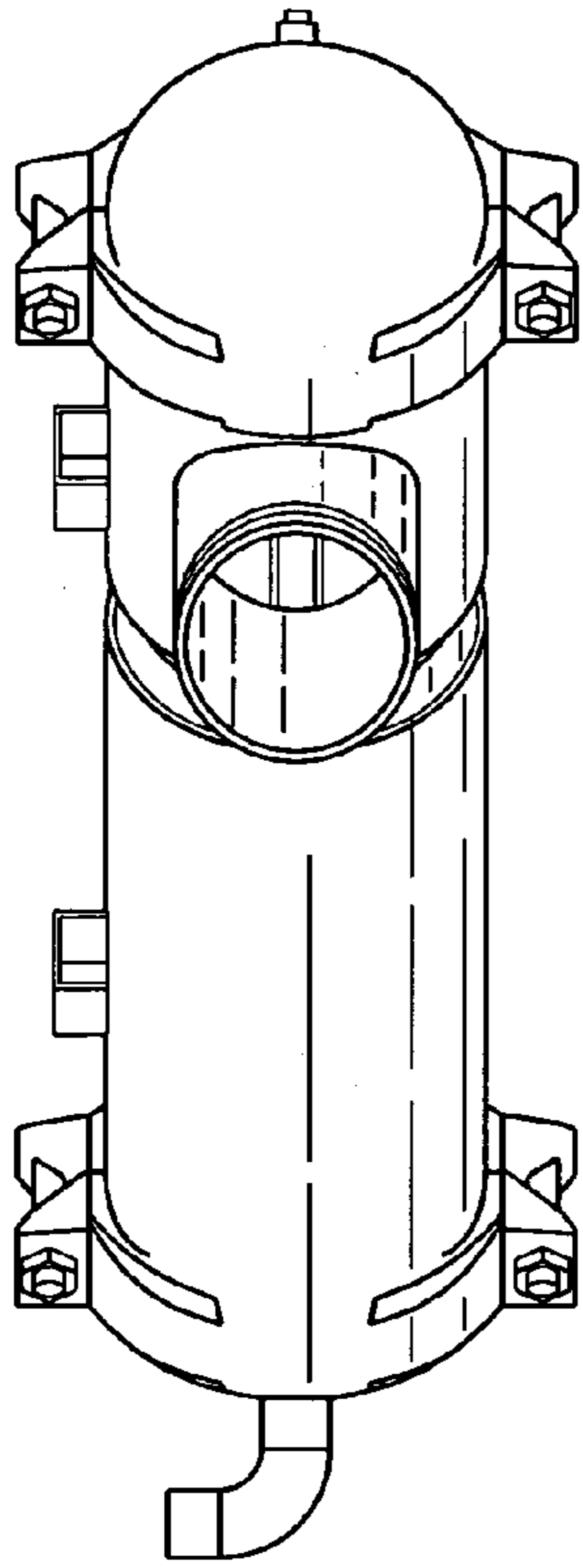


Fig. 5

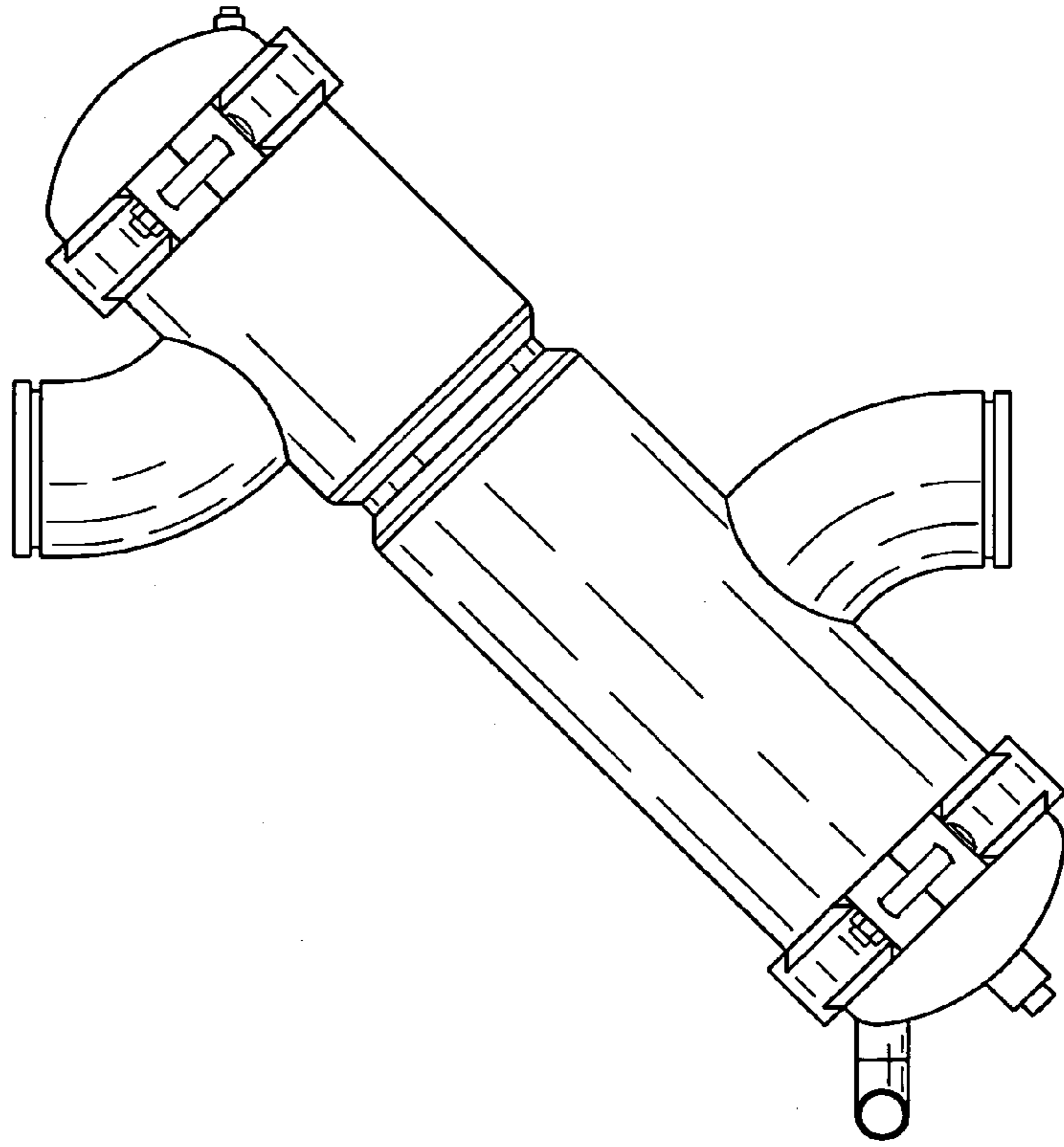


Fig. 6

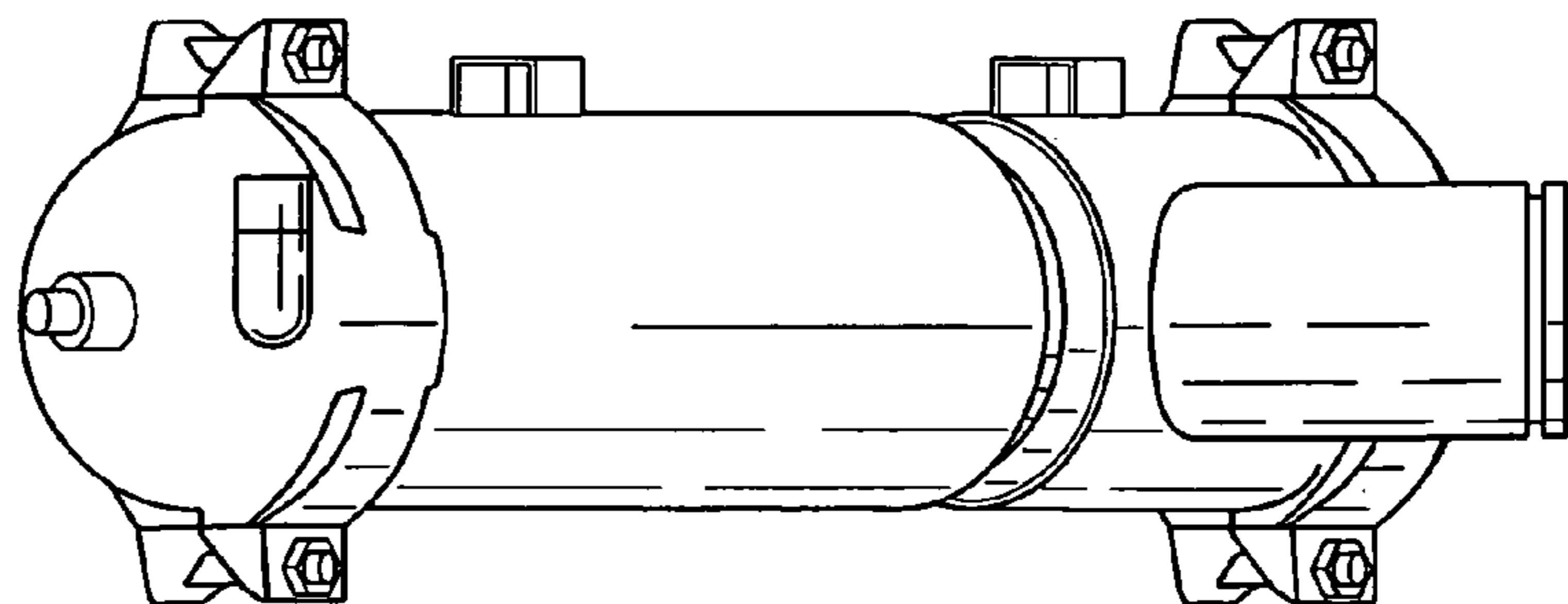


Fig. 7