

US00D591824S

(12) **United States Design Patent**  
**Leonard et al.**

(10) **Patent No.:** **US D591,824 S**

(45) **Date of Patent:** **\*\* May 5, 2009**

(54) **DISPENSER MOUNTING DEVICE**

(75) Inventors: **Stephen B. Leonard**, Franksville, WI  
(US); **Timothy R. Ordiway**, Racine, WI  
(US); **Jeffrey L. Crull**, McFarland, WI  
(US); **Jonathan M. Mick**, Marshall, WI  
(US)

(73) Assignee: **S.C. Johnson & Son, Inc.**, Racine, WI  
(US)

(\*\*) Term: **14 Years**

(21) Appl. No.: **29/289,754**

(22) Filed: **Jul. 31, 2007**

(51) **LOC (9) Cl.** ..... **23-01**

(52) **U.S. Cl.** ..... **D23/208**

(58) **Field of Classification Search** ..... D23/207,  
D23/208, 209; 4/223, 225.1, 227.1, 231  
See application file for complete search history.

(56) **References Cited**

**U.S. PATENT DOCUMENTS**

32,017 A	4/1861	Turner et al.	
3,342,379 A	9/1967	Foley	
D217,872 S	6/1970	Sessions	
D228,994 S	11/1973	Reinecke et al.	
D273,607 S *	4/1984	Joyaux et al. ....	D23/208
4,555,819 A	12/1985	Weiss et al.	
4,560,108 A	12/1985	Rubinstein	
4,660,765 A	4/1987	Rosenberg	
4,763,839 A	8/1988	Greenberg	
4,817,869 A	4/1989	Rubinstein	
D419,347 S	1/2000	Leonard	
D423,639 S	4/2000	Leonard	
D436,160 S	1/2001	Leonard et al.	
6,178,564 B1	1/2001	Leonard et al.	
6,230,334 B1	5/2001	Camp et al.	
D444,978 S	7/2001	Kauzlarich et al.	
6,389,610 B1	5/2002	Hautmann et al.	
6,434,758 B2	8/2002	Camp et al.	
6,505,356 B1	1/2003	Leonard et al.	
6,519,783 B2	2/2003	Falchieri	

D477,956 S	8/2003	Grisdale et al.	
D481,896 S	11/2003	Shaanan	
6,651,261 B1	11/2003	Leonard et al.	
6,691,329 B2	2/2004	Slade	
6,820,821 B2	11/2004	Linstedt et al.	
D499,295 S	12/2004	Grisdale et al.	
D500,548 S *	1/2005	Conway et al. ....	D23/208
6,898,806 B2	5/2005	Keramidas	
6,976,277 B2	12/2005	Keramidas	
7,021,494 B2	4/2006	Mazooji et al.	
7,114,199 B2	10/2006	Conway et al.	
D540,907 S	4/2007	Liu	
7,234,175 B2	6/2007	Wilson et al.	
D558,856 S *	1/2008	King .....	D23/208
2002/0083514 A1	7/2002	Lhoste	
2007/0136937 A1	6/2007	Sawalski et al.	

\* cited by examiner

*Primary Examiner*—Robin V Webster

(74) *Attorney, Agent, or Firm*—Quarles & Brady LLP

(57) **CLAIM**

The ornamental design for a dispenser mounting device, as shown and described.

**DESCRIPTION**

In a preferred embodiment, the nature of this product is as a liquid dispensing device for dispensing liquids from the rim of a toilet.

FIG. 1 is a top, left, front perspective view of a dispenser mounting device embodying our new design;

FIG. 2 is a front elevational view thereof;

FIG. 3 is a left elevational view thereof;

FIG. 4 is a right elevational view thereof;

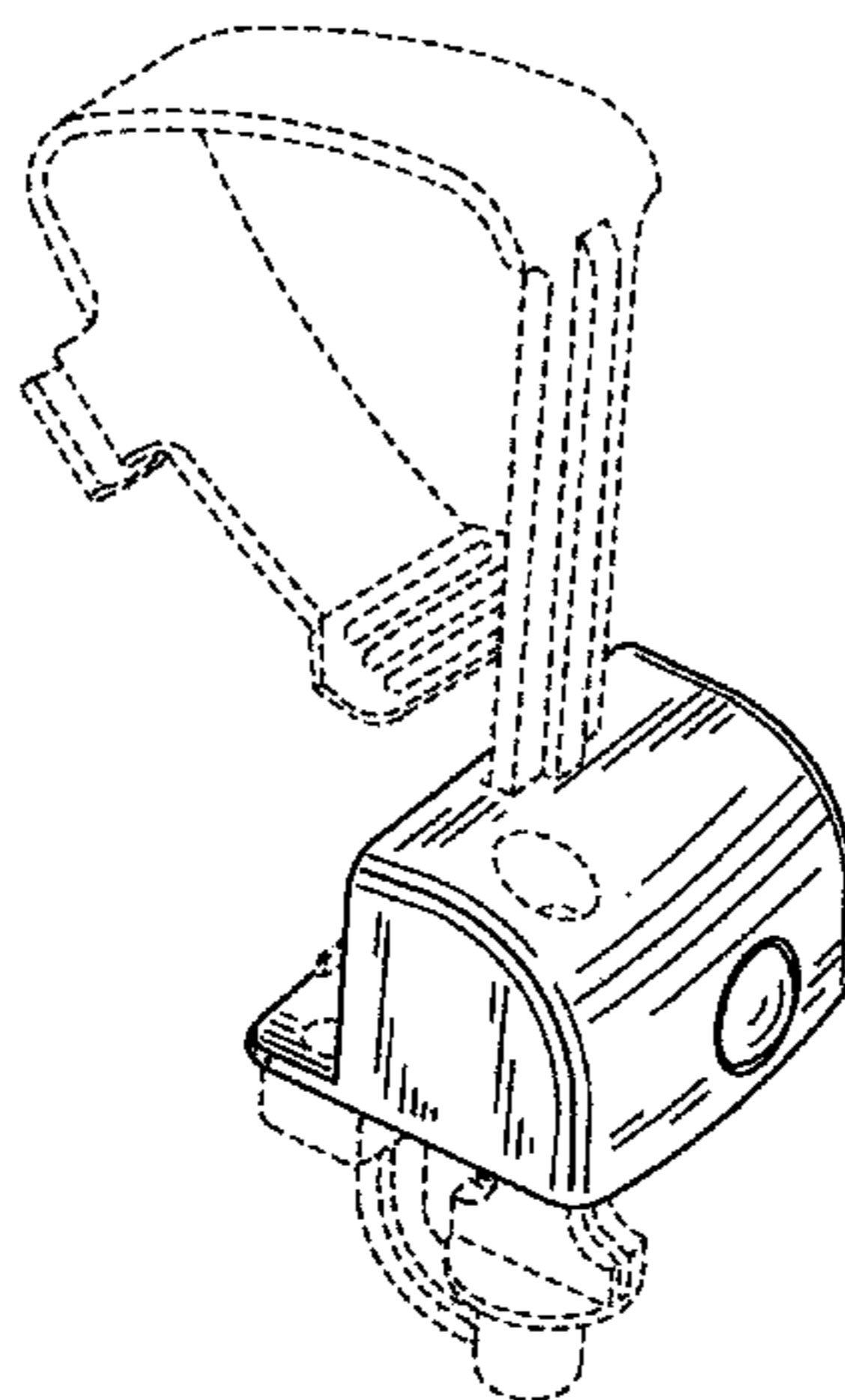
FIG. 5 is a rear elevational view thereof;

FIG. 6 is a top plan view thereof; and,

FIG. 7 is a bottom plan view thereof.

The broken line showing is for illustrative purposes only and forms no part of the claimed design.

**1 Claim, 4 Drawing Sheets**



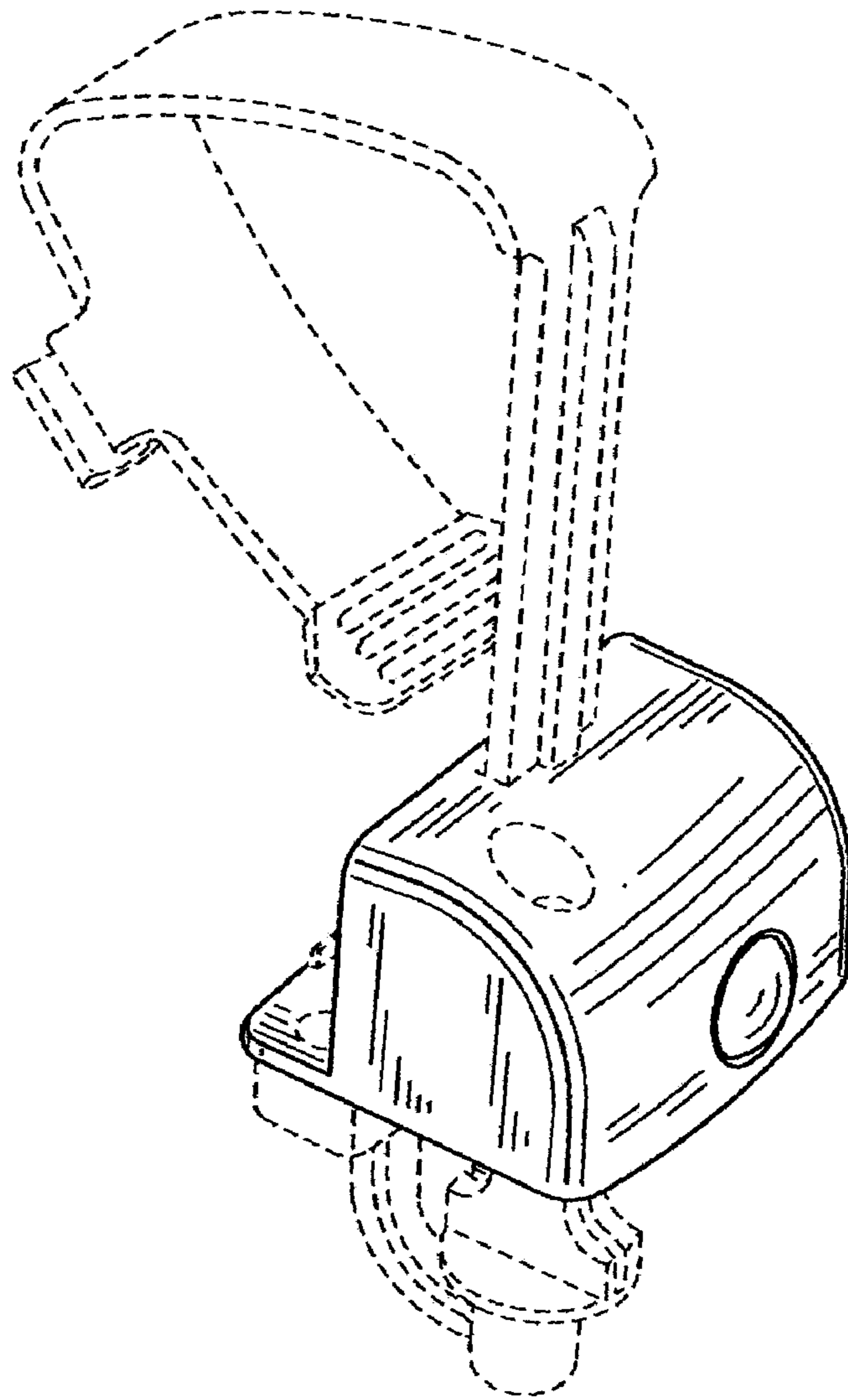


FIG. 1

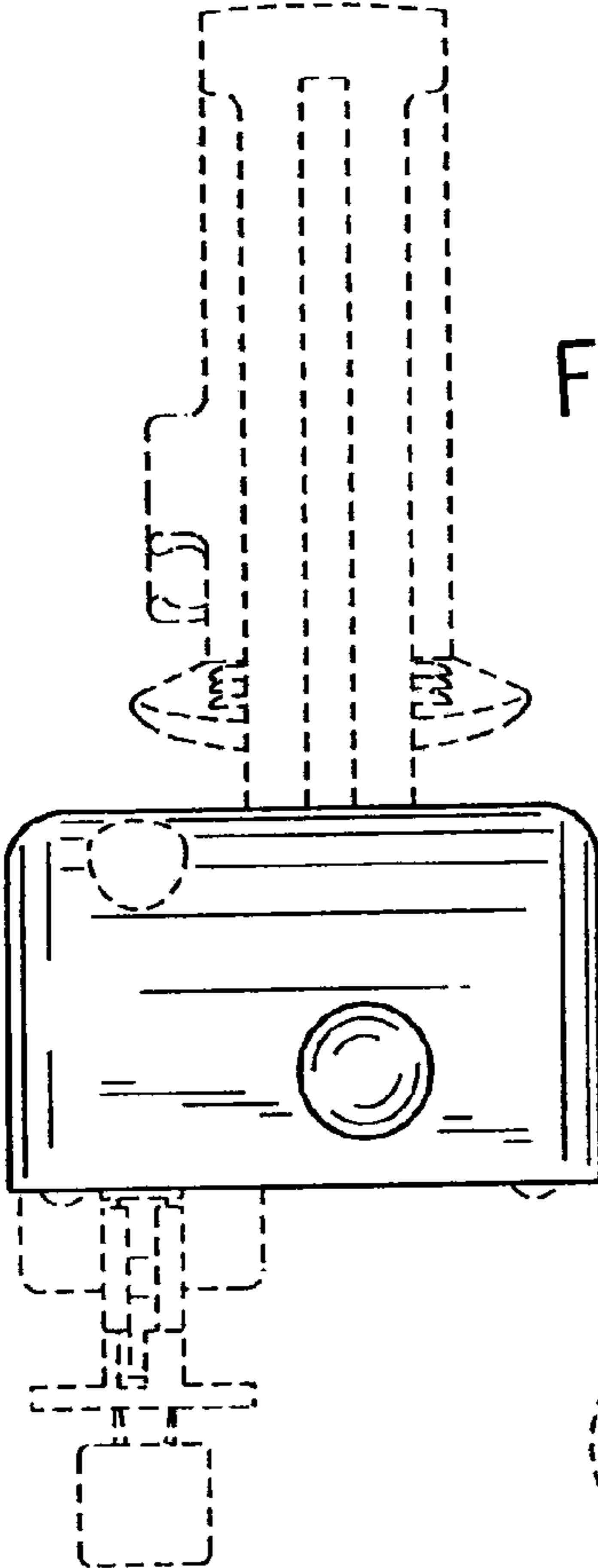


FIG. 2

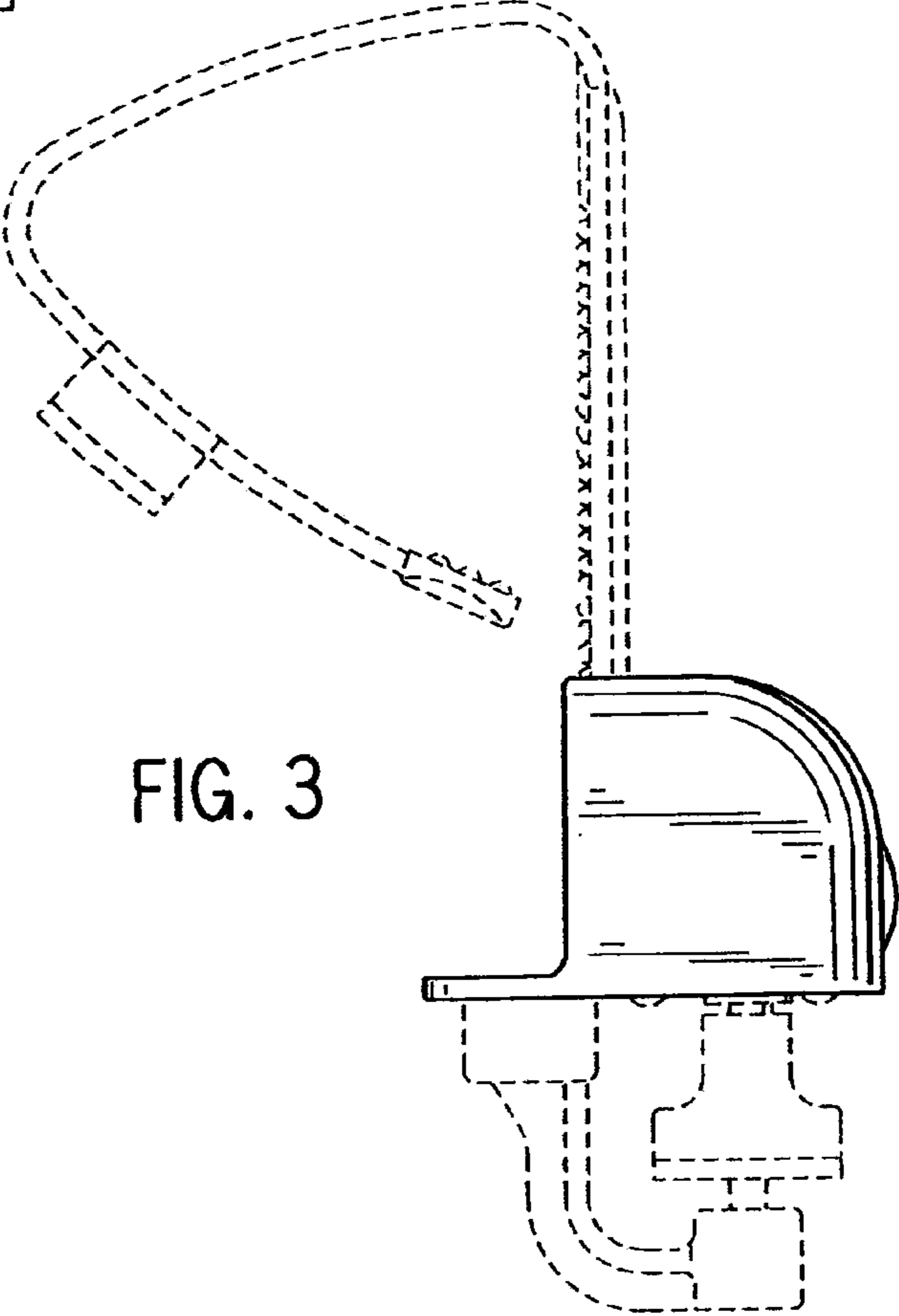


FIG. 3

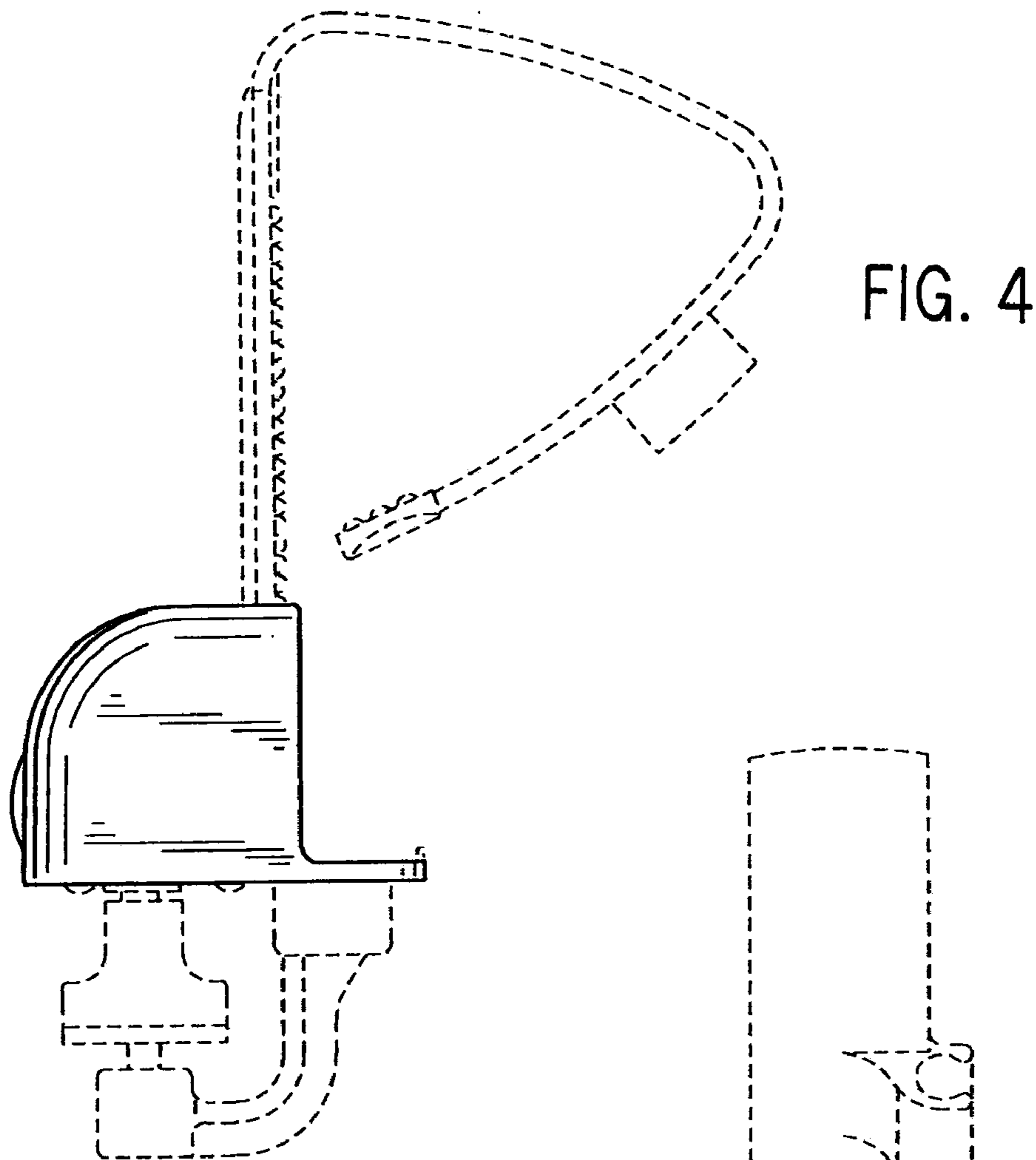
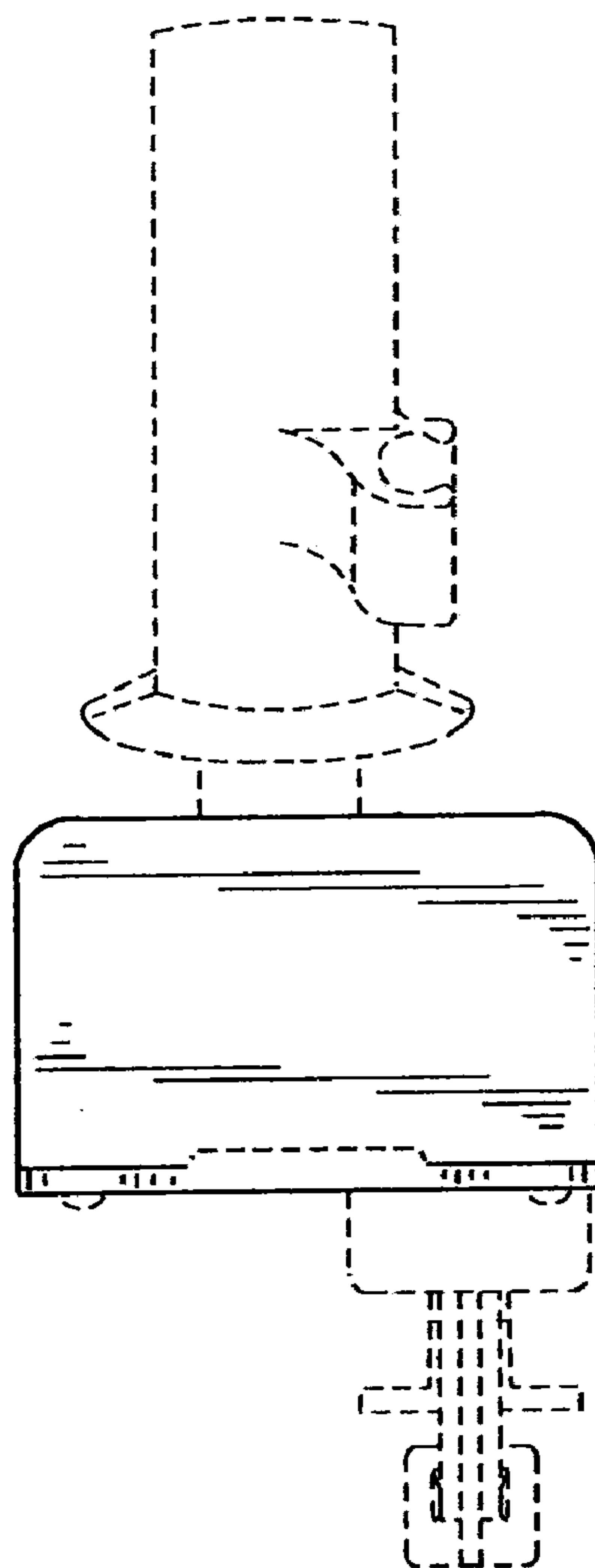


FIG. 5



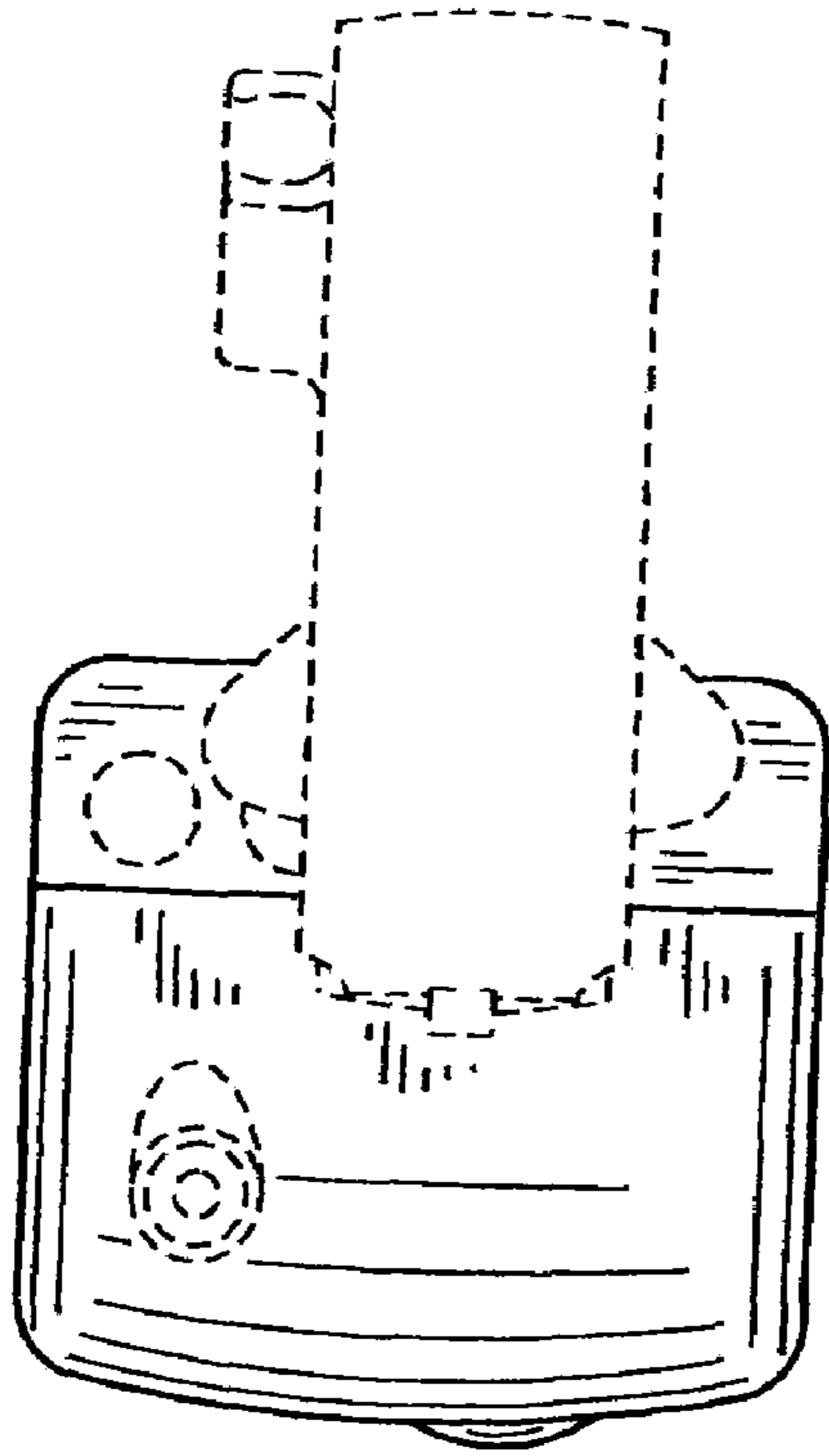


FIG. 6

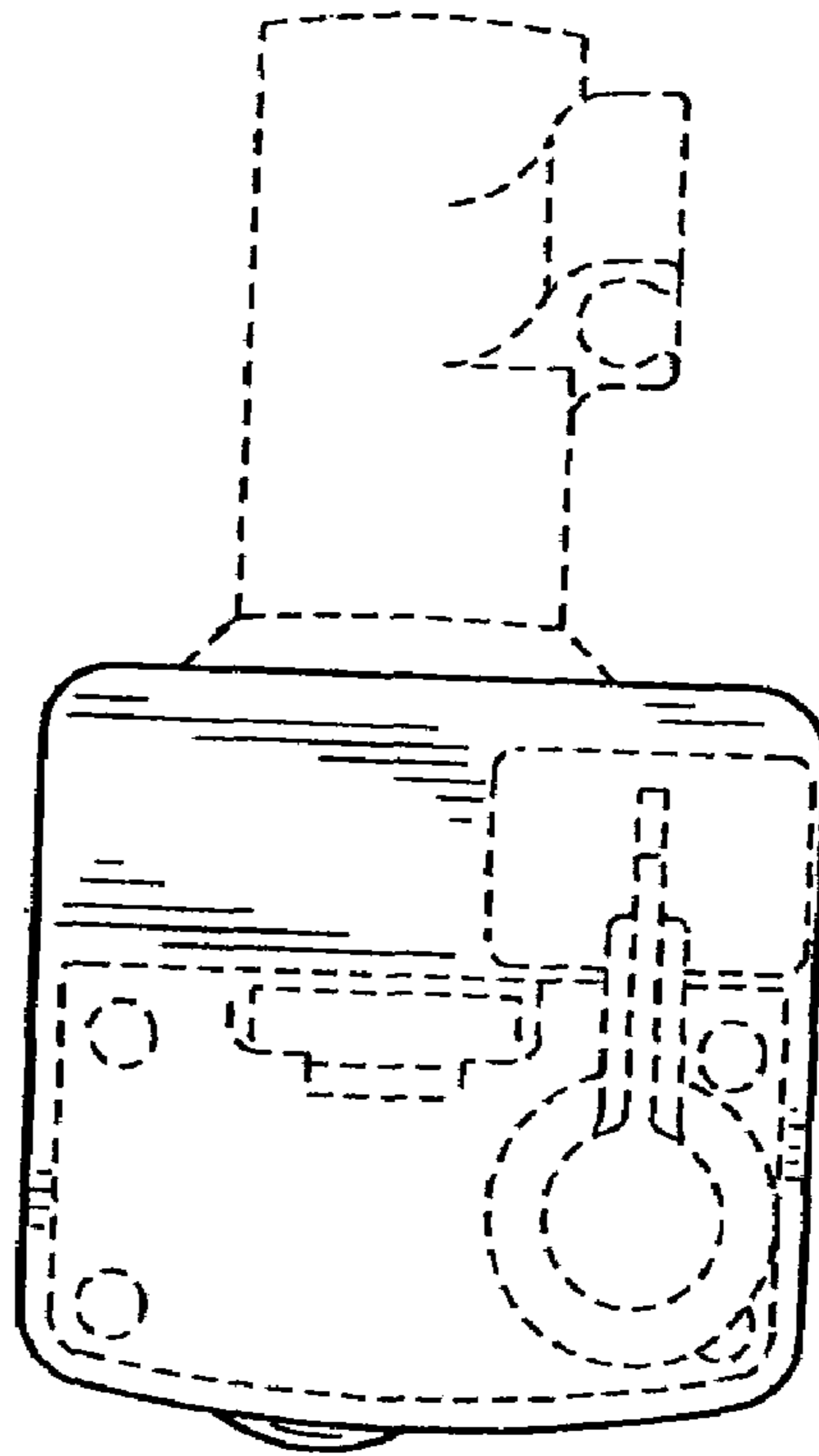


FIG. 7