



US00D591819S

(12) **United States Design Patent**
Bosilkovski et al.

(10) **Patent No.:** **US D591,819 S**

(45) **Date of Patent:** **** May 5, 2009**

(54) **IRON BACK PLATE**

D577,779 S * 9/2008 Roach et al. D21/749
D580,503 S * 11/2008 Roach et al. D21/747

(75) Inventors: **John Bosilkovski**, Carlsbad, CA (US);
Karl A. Clausen, Carlsbad, CA (US);
Scott A. Rice, Carlsbad, CA (US); **John**
Wooster, Carlsbad, CA (US)

* cited by examiner

Primary Examiner—Mitchell I Siegel
(74) *Attorney, Agent, or Firm*—Kristin D. Wheeler

(73) Assignee: **Kristin D. Wheeler**, Fairhaven, MA
(US)

(57) **CLAIM**

The ornamental design for an iron back plate, as shown and described.

(**) Term: **14 Years**

(21) Appl. No.: **29/322,614**

DESCRIPTION

(22) Filed: **Aug. 7, 2008**

FIG. 1 is a back view of our new iron back plate in an iron;
FIG. 2 is a back toe perspective view of our new iron back
plate;

(51) **LOC (9) Cl.** **21-02**

(52) **U.S. Cl.** **D21/759**

(58) **Field of Classification Search** D21/747–751,
D21/759; 473/324–331, 350

FIG. 3 is a bottom view thereof;

FIG. 4 is a toe side view thereof;

FIG. 5 is a back view thereof;

FIG. 6 is a heel side view thereof;

FIG. 7 is a top view thereof; and,

FIG. 8 is a cross-sectional view thereof through line 8—8 of
FIG. 5.

See application file for complete search history.

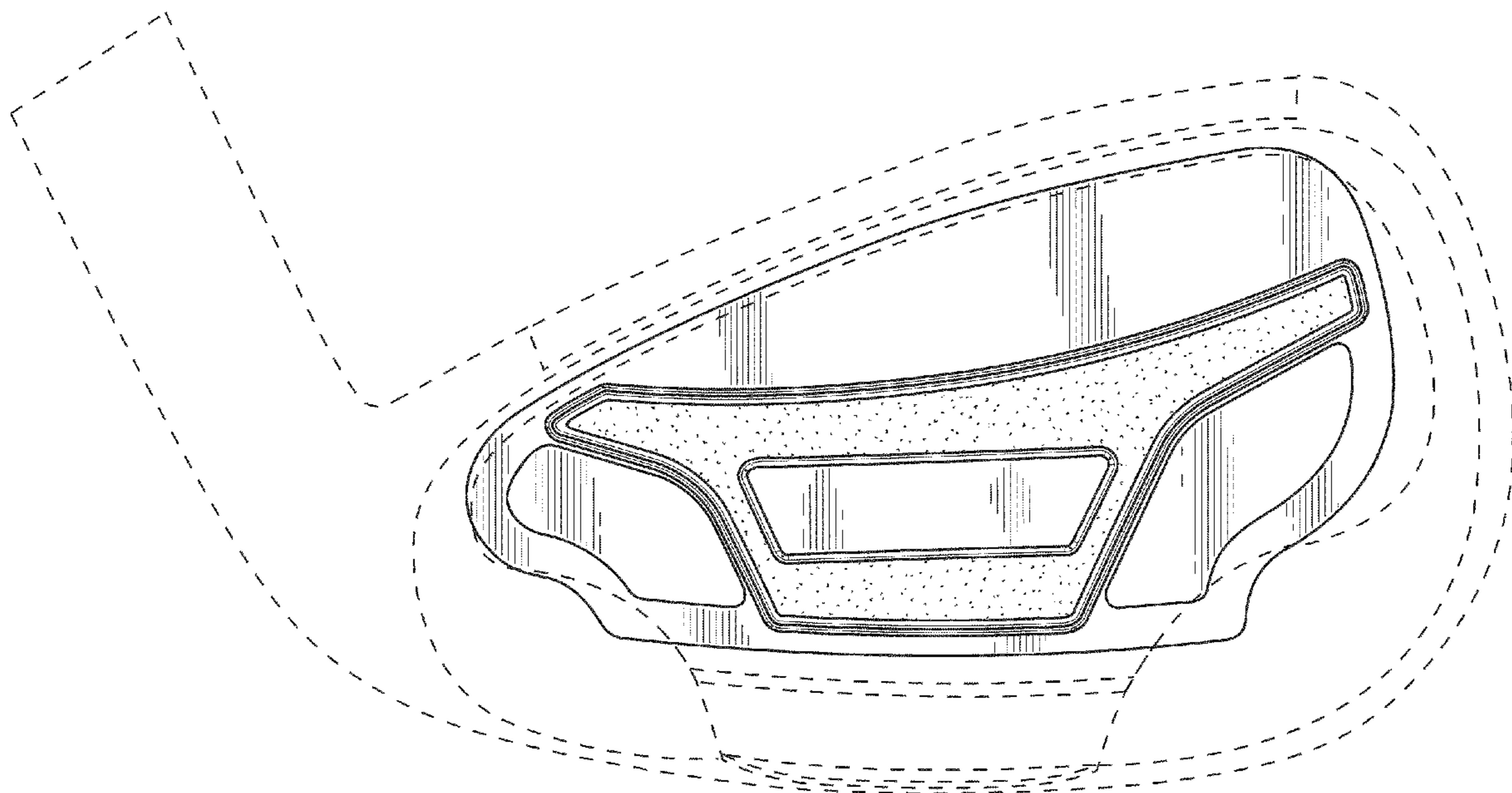
The portion of the iron back plate shown in phantom does not
form any portion of the present invention.

(56) **References Cited**

U.S. PATENT DOCUMENTS

D537,138 S * 2/2007 Clausen et al. D21/749
D540,898 S * 4/2007 Solheim et al. D21/749
D547,407 S * 7/2007 Morris et al. D21/759
D549,791 S * 8/2007 Morris et al. D21/748
D577,087 S * 9/2008 Roach et al. D21/749
D577,088 S * 9/2008 Clausen et al. D21/749

1 Claim, 3 Drawing Sheets



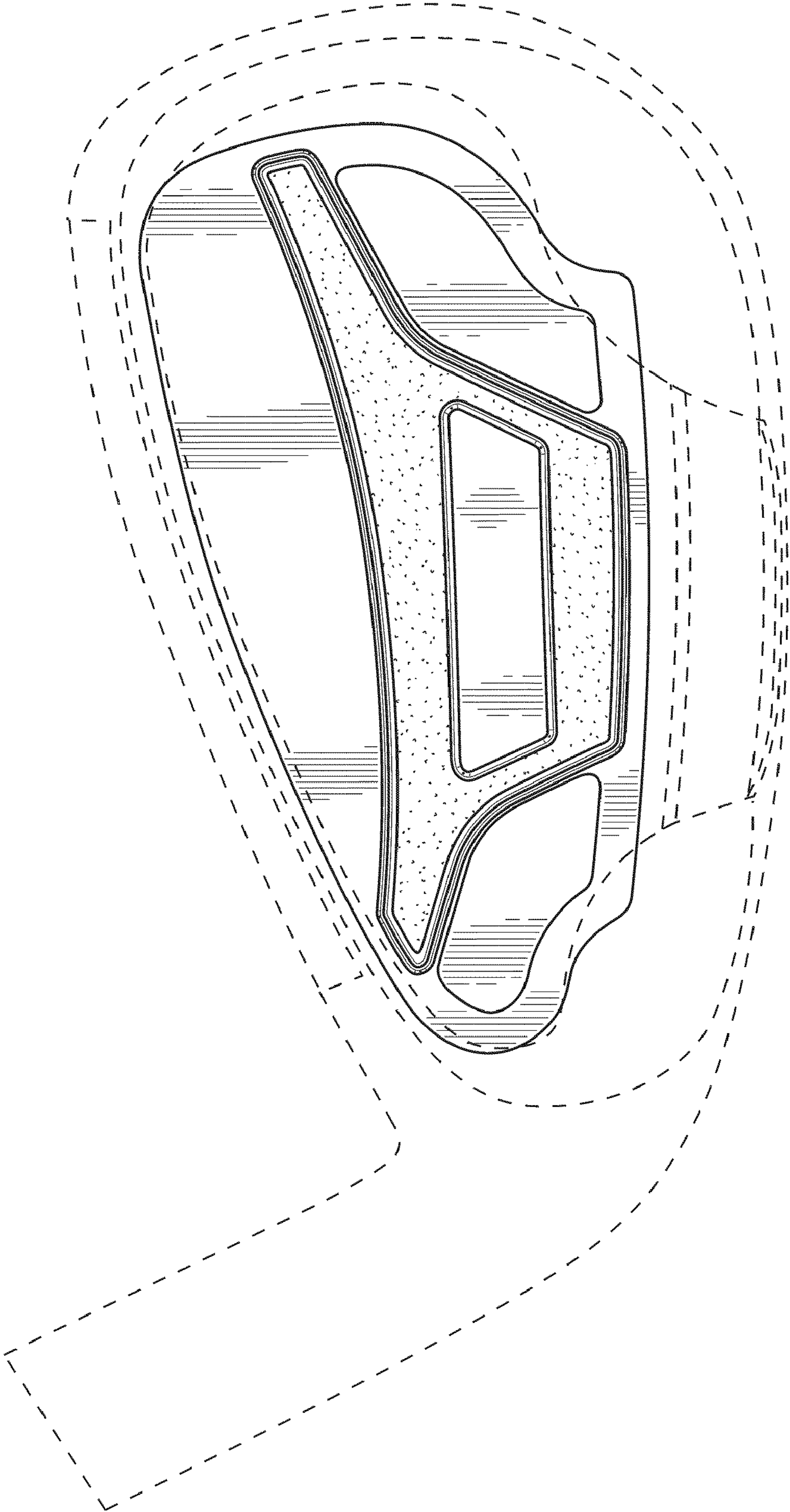


FIG. 1

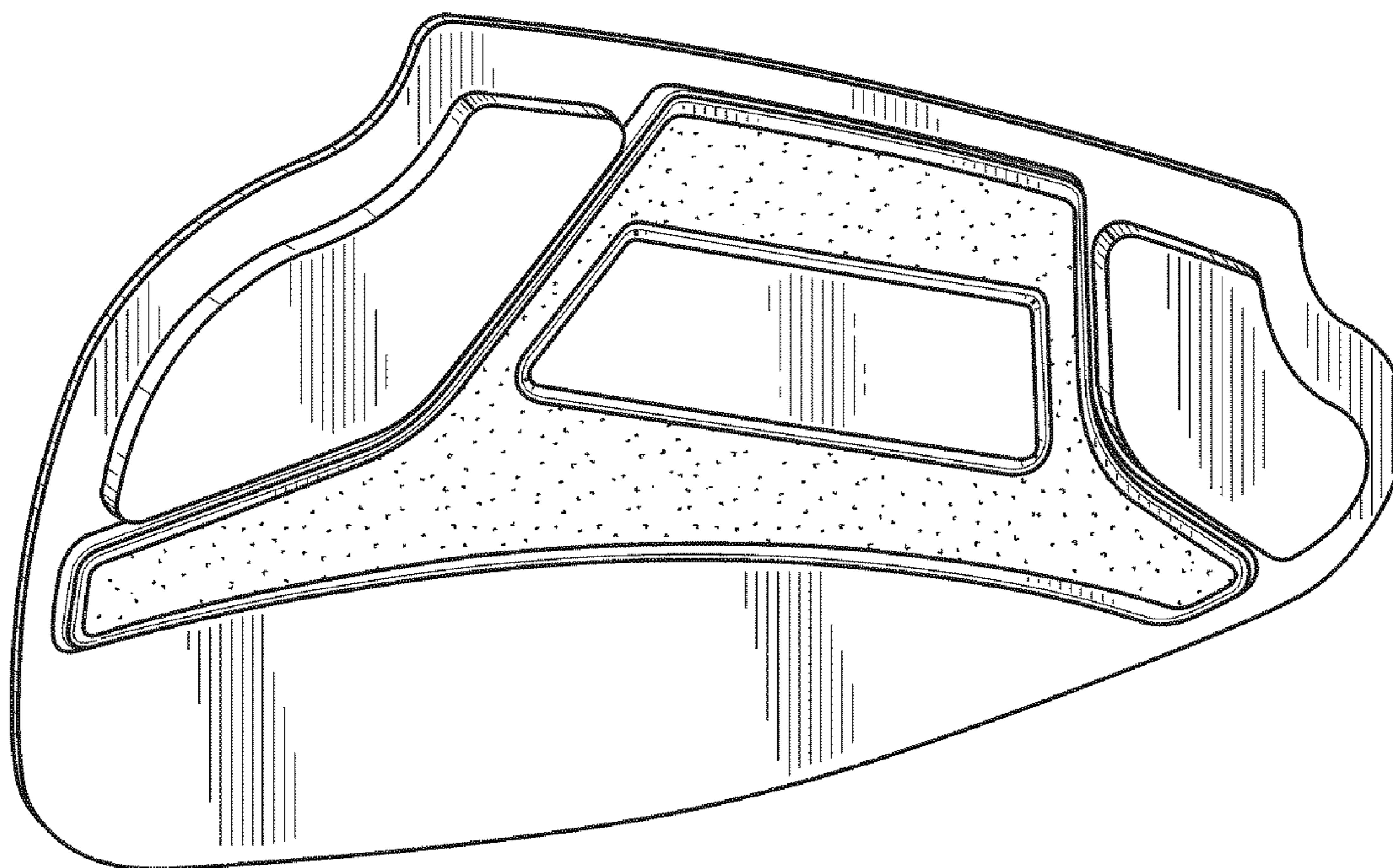


FIG. 2

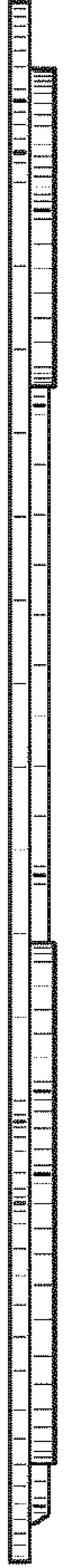


FIG. 3

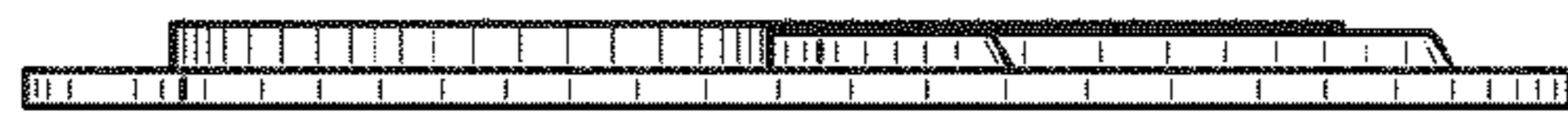
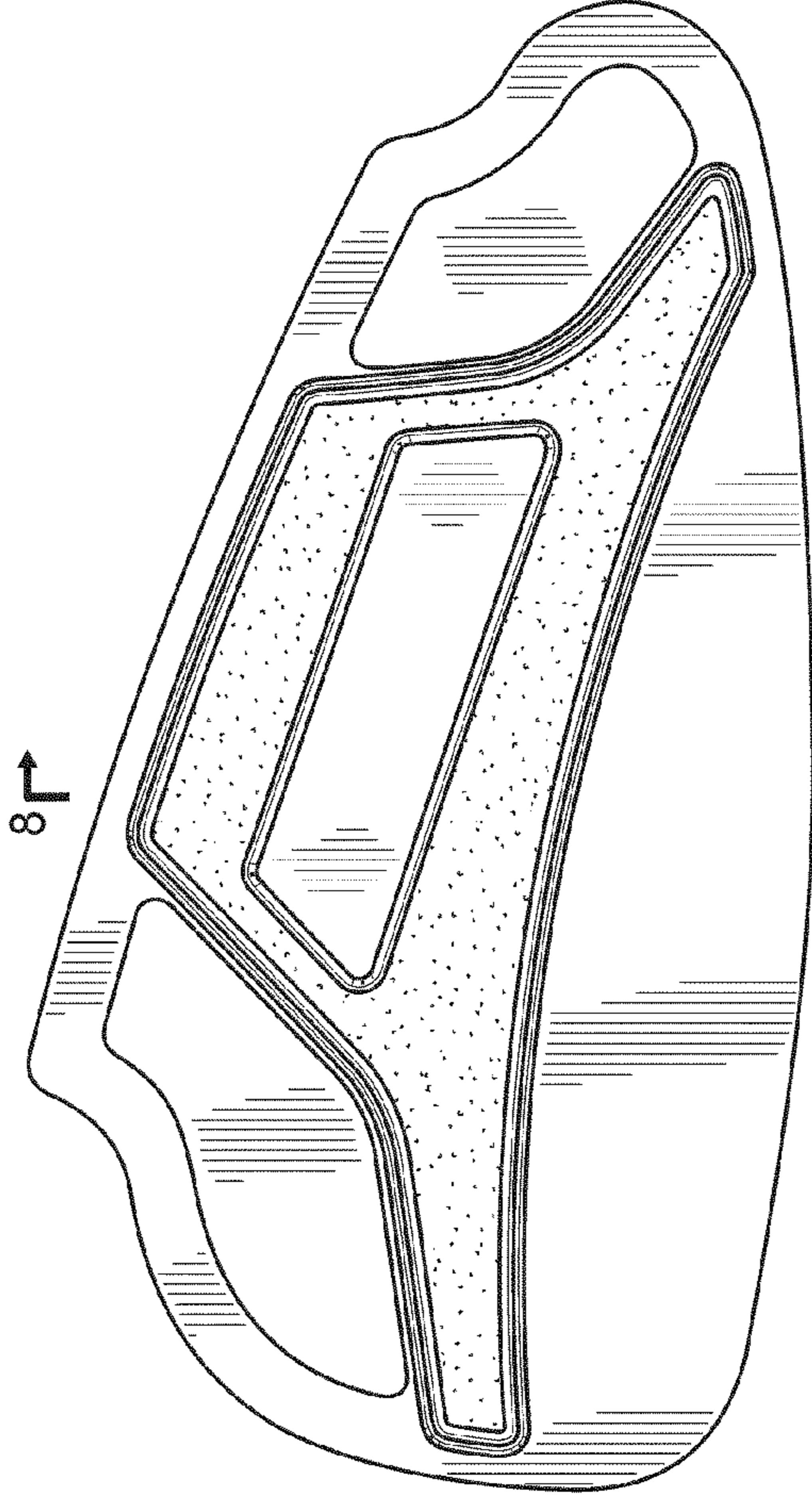


FIG. 4



8 ← FIG. 5



FIG. 6



FIG. 8



FIG. 7