

US00D591818S

(12) **United States Design Patent**
Roberts et al.

(10) **Patent No.:** **US D591,818 S**

(45) **Date of Patent:** **** May 5, 2009**

(54) **GOLF CLUB HEAD**

(75) Inventors: **Douglas E. Roberts**, Carlsbad, CA (US);
Peter L Soracco, Carlsbad, CA (US)

(73) Assignee: **Acushnet Company**, Fairhaven, MA (US)

(**) Term: **14 Years**

(21) Appl. No.: **29/322,224**

(22) Filed: **Jul. 31, 2008**

(51) **LOC (9) Cl.** **21-02**

(52) **U.S. Cl.** **D21/759**

(58) **Field of Classification Search** D21/733,
D21/752, 759; 473/324–331, 343–346
See application file for complete search history.

(56) **References Cited**

U.S. PATENT DOCUMENTS

D489,425 S *	5/2004	Rice et al.	D21/759
D526,039 S *	8/2006	Breier et al.	D21/759
D527,064 S *	8/2006	Breier et al.	D21/752
D534,979 S *	1/2007	Chau et al.	D21/759
D537,139 S *	2/2007	Breier et al.	D21/759
D537,895 S *	3/2007	Breier et al.	D21/752
D538,370 S *	3/2007	Breier et al.	D21/759

D561,853 S *	2/2008	Haralson et al.	D21/733
D561,859 S *	2/2008	Haralson et al.	D21/759
D571,882 S *	6/2008	Soracco	D21/752
D577,089 S *	9/2008	Haralson et al.	D21/759
D580,504 S *	11/2008	Bosilkovski et al.	D21/752

* cited by examiner

Primary Examiner—Mitchell I Siegel

(74) *Attorney, Agent, or Firm*—Kristin D. Wheeler

(57) **CLAIM**

The ornamental design for a golf club head, as shown and described.

DESCRIPTION

FIG. 1 is a sole, heel side perspective view of a new design for a golf club head;

FIG. 2 is a bottom view thereof;

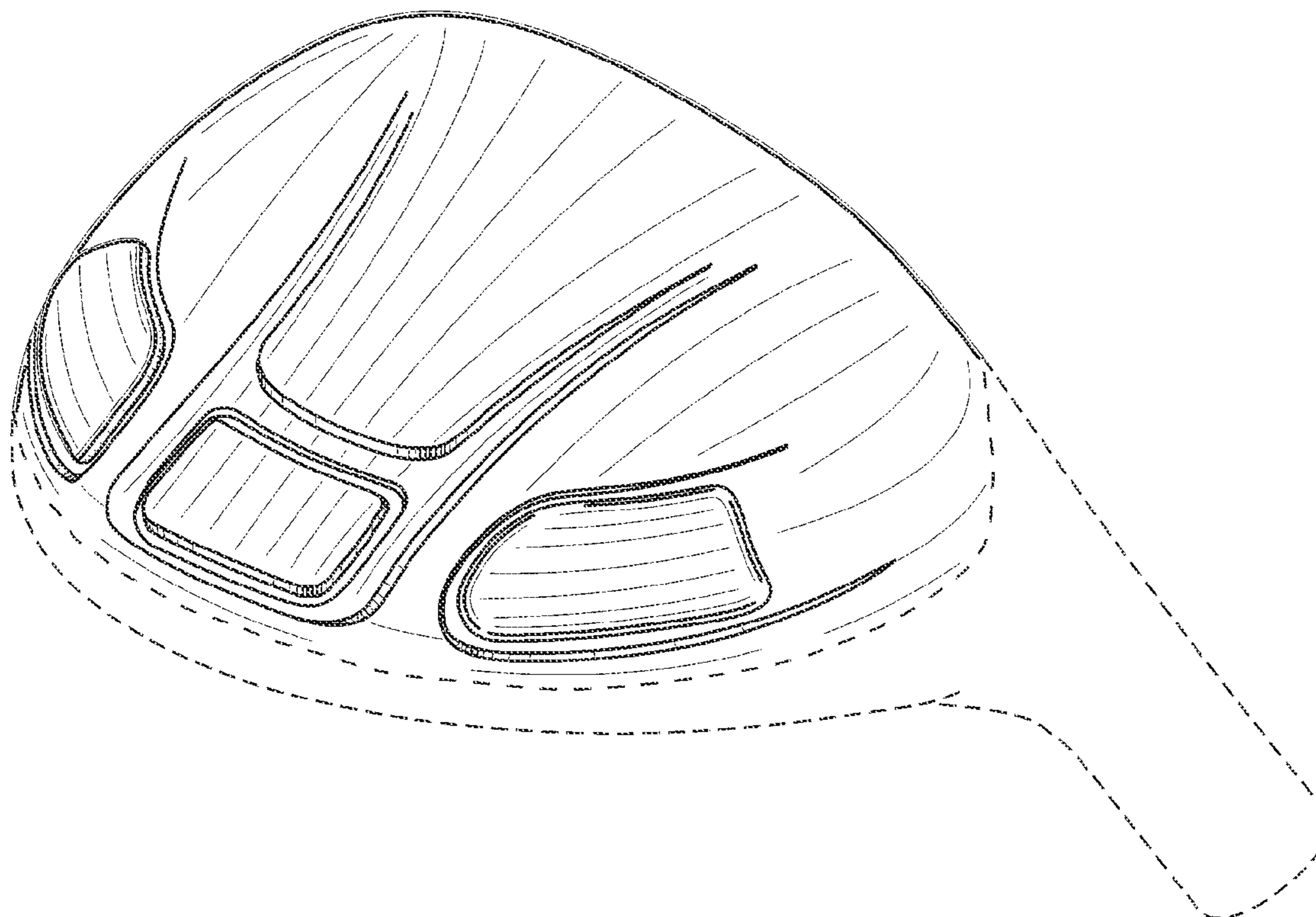
FIG. 3 is a back view thereof;

FIG. 4 is a toe side view thereof; and,

FIG. 5 is a heel side view thereof.

The portion of the club head shown in phantom is for illustrative purposes only and does not form any portion of the claimed design.

1 Claim, 2 Drawing Sheets



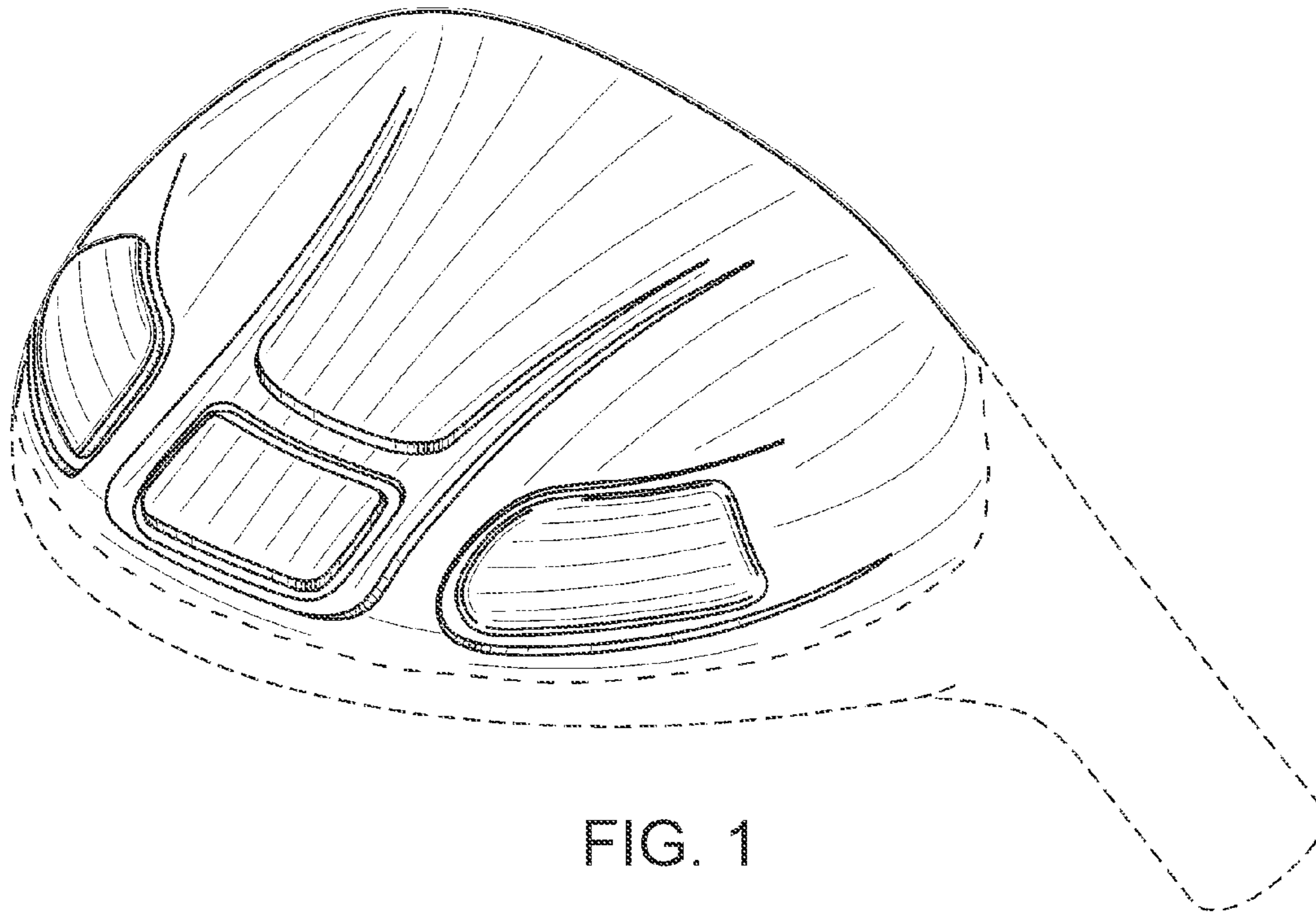


FIG. 1

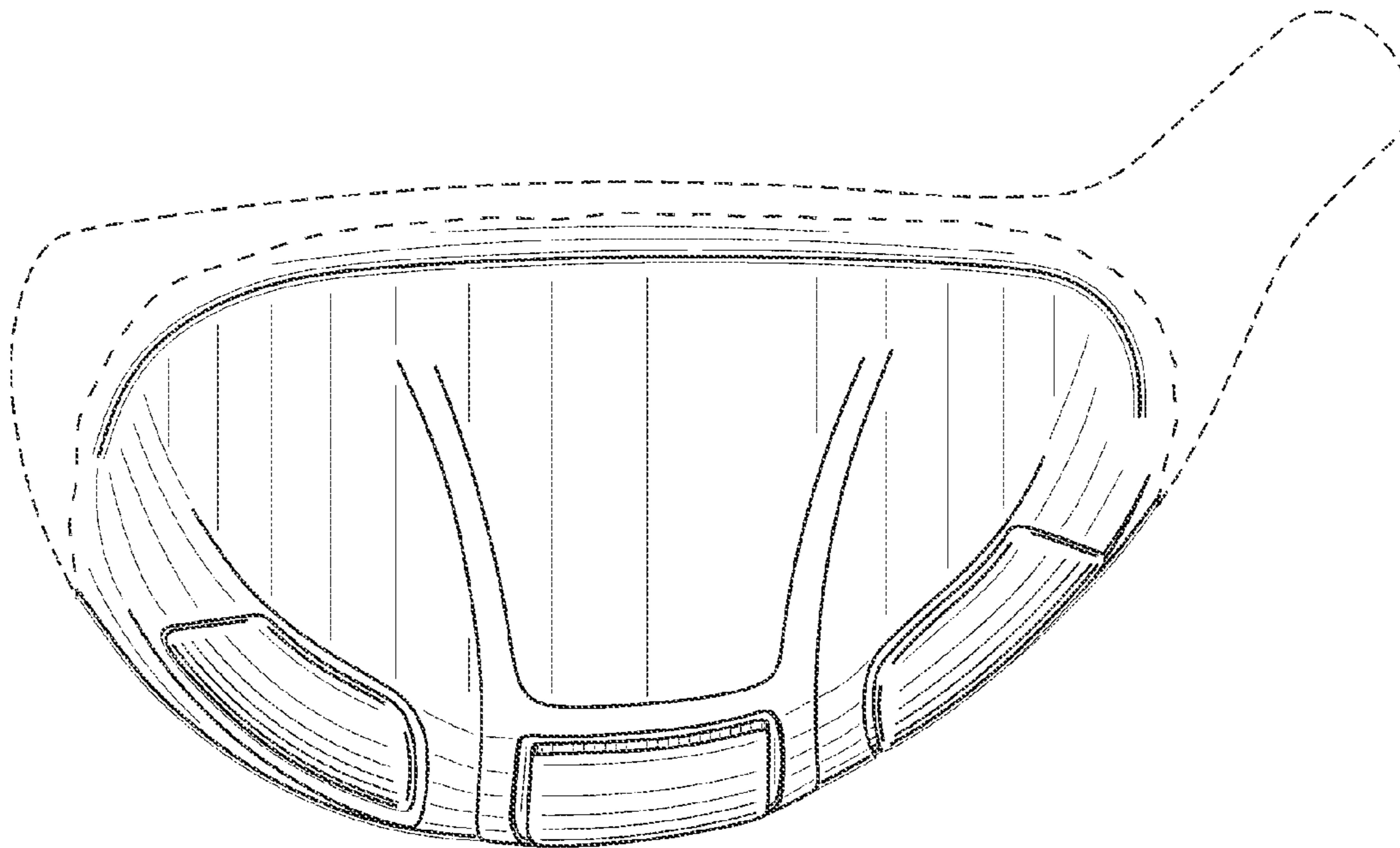


FIG. 2

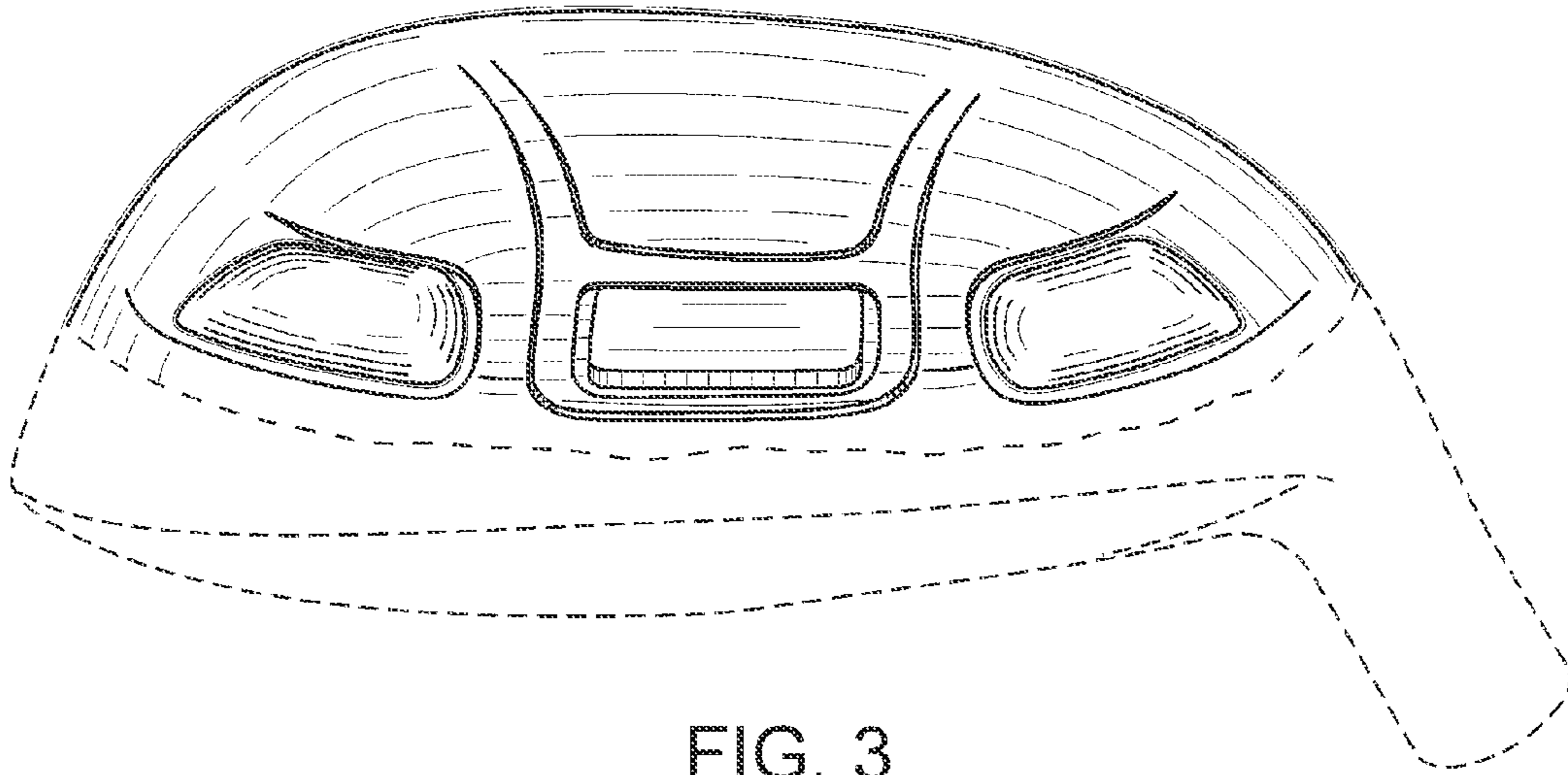


FIG. 3

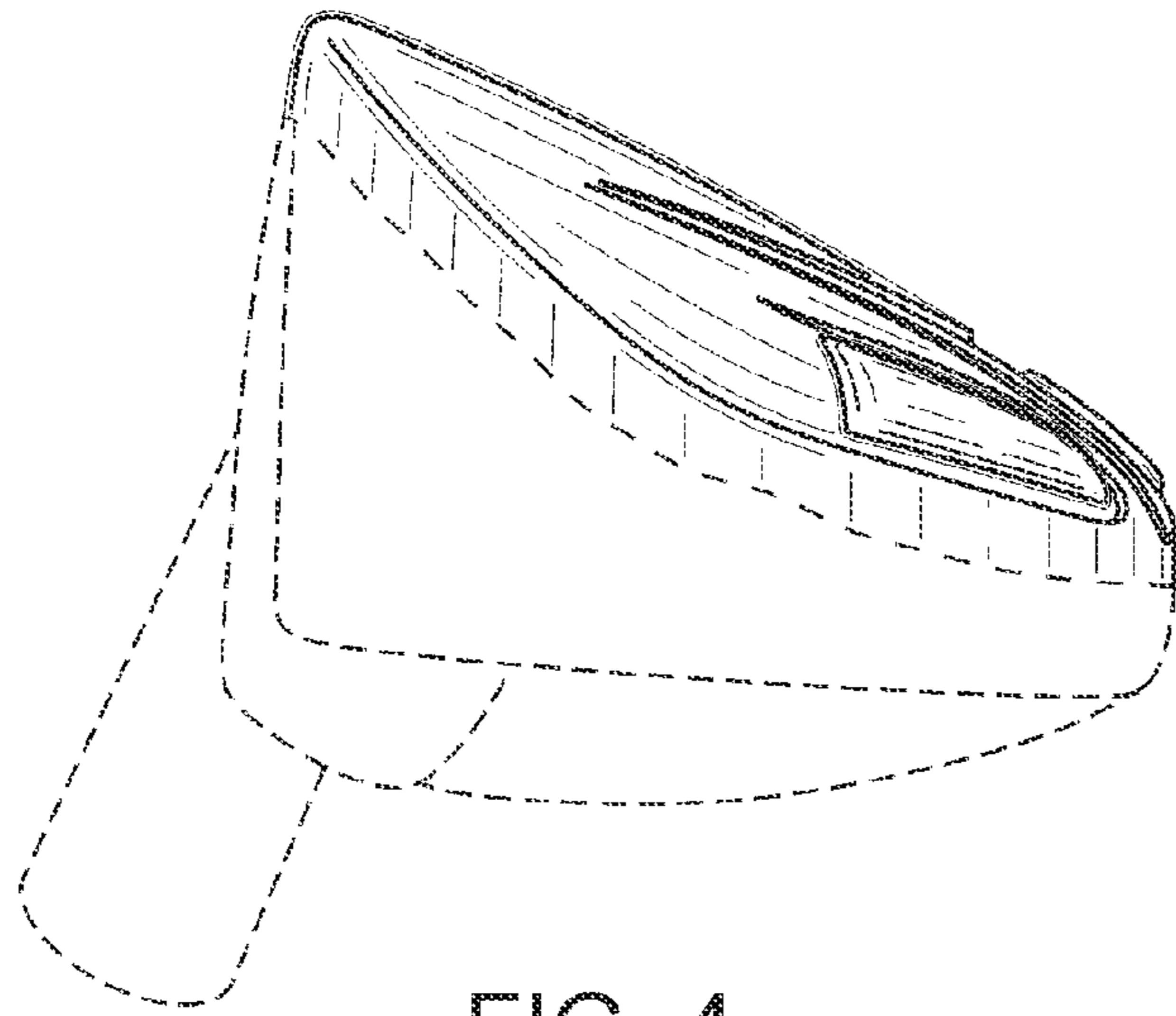


FIG. 4

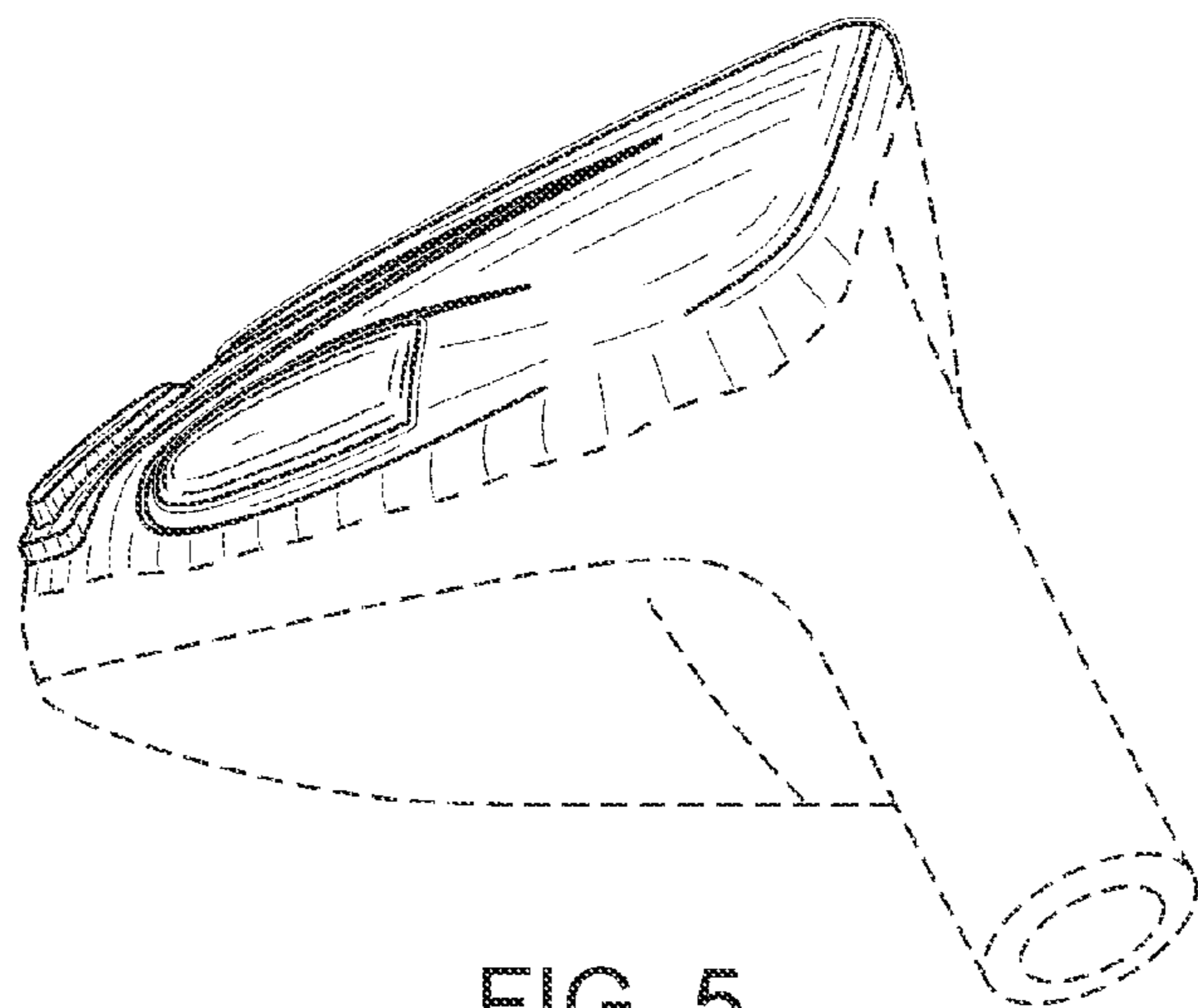


FIG. 5