



US00D591816S

(12) **United States Design Patent**
Vehse et al.

(10) **Patent No.:** **US D591,816 S**

(45) **Date of Patent:** **** May 5, 2009**

(54) **SOLE OF A CLUB HEAD**

(75) Inventors: **Daniel Vehse**, Ventura, CA (US);
Damon Spencer, Solana Beach, CA
(US); **Gery Zimmerman**, Fallbrook, CA
(US); **Stephanie Bezilla**, Carlsbad, CA
(US)

(73) Assignee: **Acushnet Company**, Fairhaven, MA
(US)

(**) Term: **14 Years**

(21) Appl. No.: **29/319,164**

(22) Filed: **Jun. 5, 2008**

(51) **LOC (9) Cl.** **21-02**

(52) **U.S. Cl.** **D21/759**

(58) **Field of Classification Search** D21/733,
D21/752, 759; 473/324–331, 343–346
See application file for complete search history.

(56) **References Cited**

U.S. PATENT DOCUMENTS

D569,465 S * 5/2008 Yi et al. D21/752
D571,882 S * 6/2008 Soracco D21/752
D578,587 S * 10/2008 Hoffman et al. D21/752

D579,064 S * 10/2008 Beach et al. D21/752
D579,065 S * 10/2008 Yi et al. D21/752
D579,066 S * 10/2008 Dipert et al. D21/752
D579,067 S * 10/2008 Hoffman et al. D21/752
D580,504 S * 11/2008 Bosilkovski et al. D21/752

* cited by examiner

Primary Examiner—Mitchell I Siegel

(74) *Attorney, Agent, or Firm*—Kristin D. Wheeler

(57) **CLAIM**

The ornamental design for a sole of a club head, as shown and described.

DESCRIPTION

FIG. 1 is a bottom heel perspective view of our new design for a sole of a club head;

FIG. 2 is a bottom view thereof;

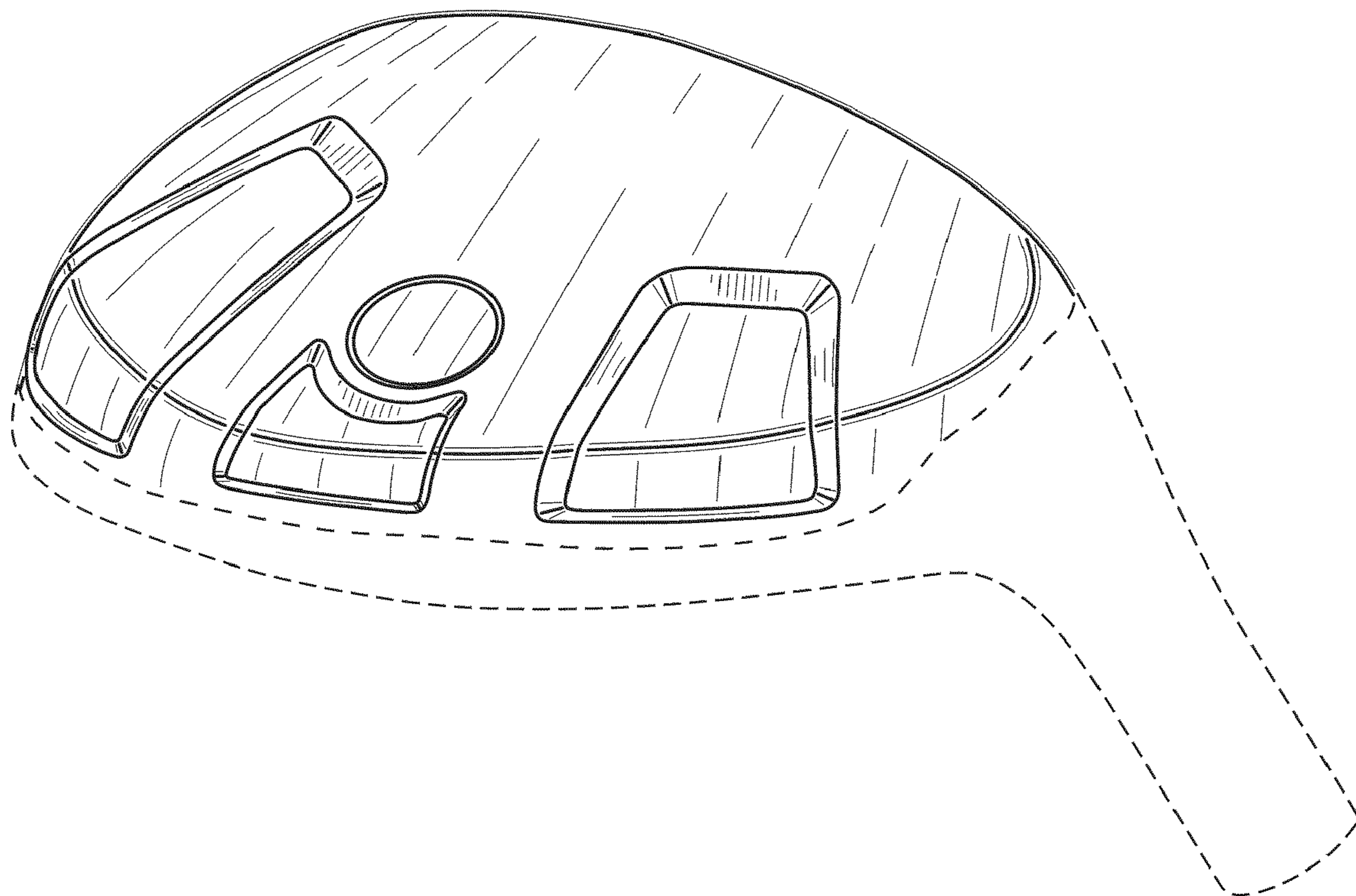
FIG. 3 is a back view thereof;

FIG. 4 is a toe-side view thereof; and,

FIG. 5 is a heel-side view thereof.

The portion of the club head shown in phantom does not form any portion of the present invention.

1 Claim, 2 Drawing Sheets



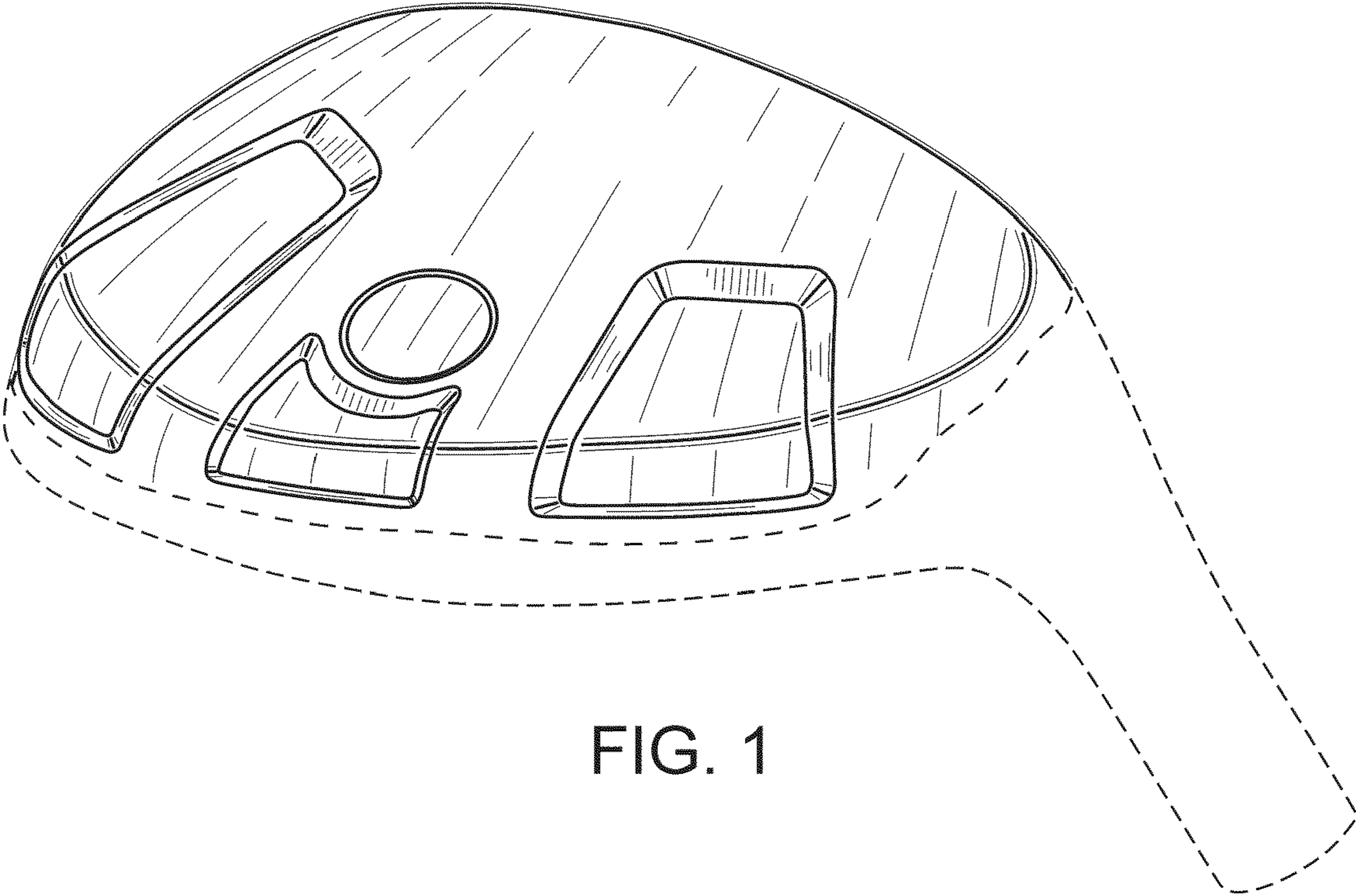


FIG. 1

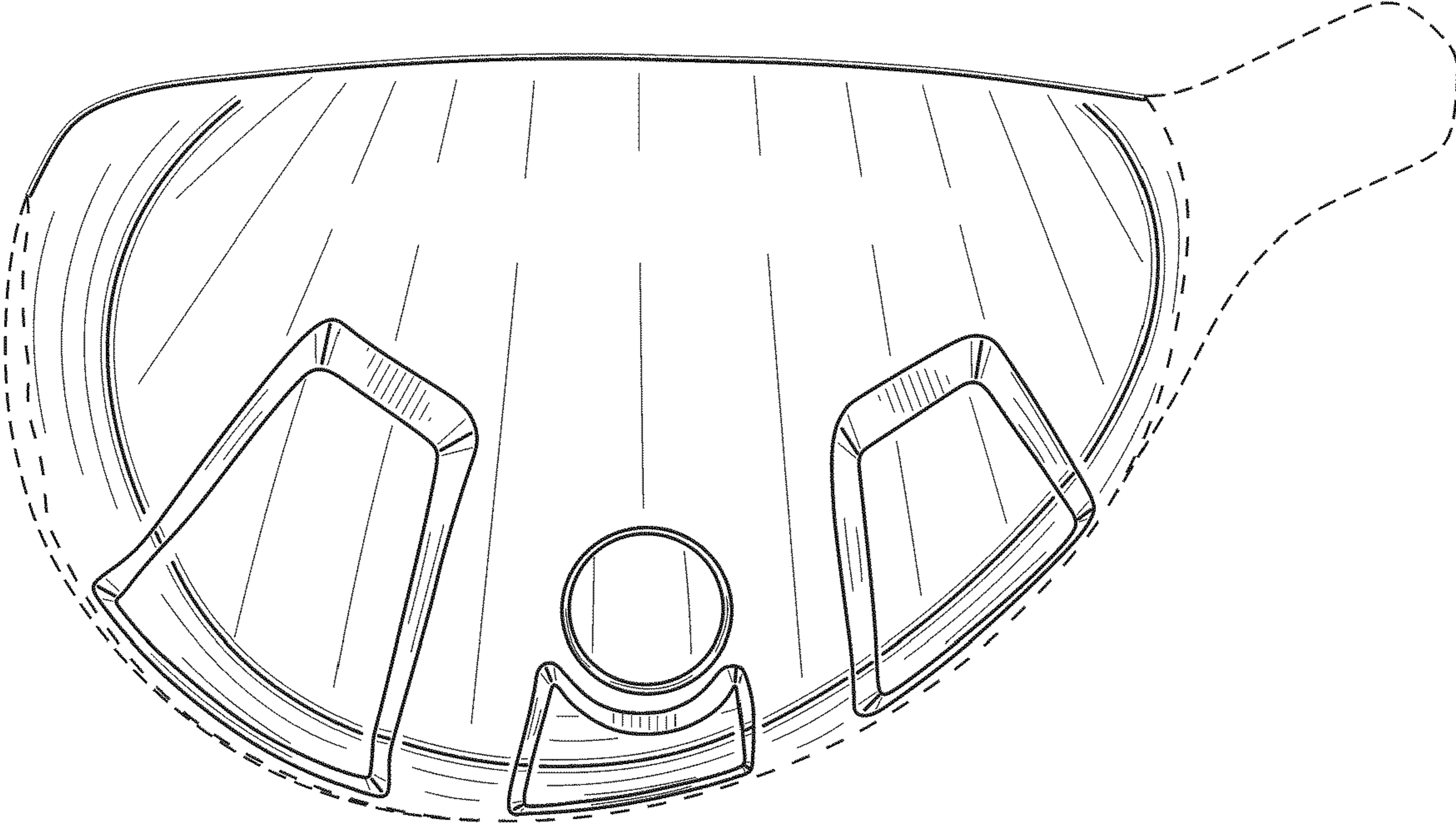


FIG. 2

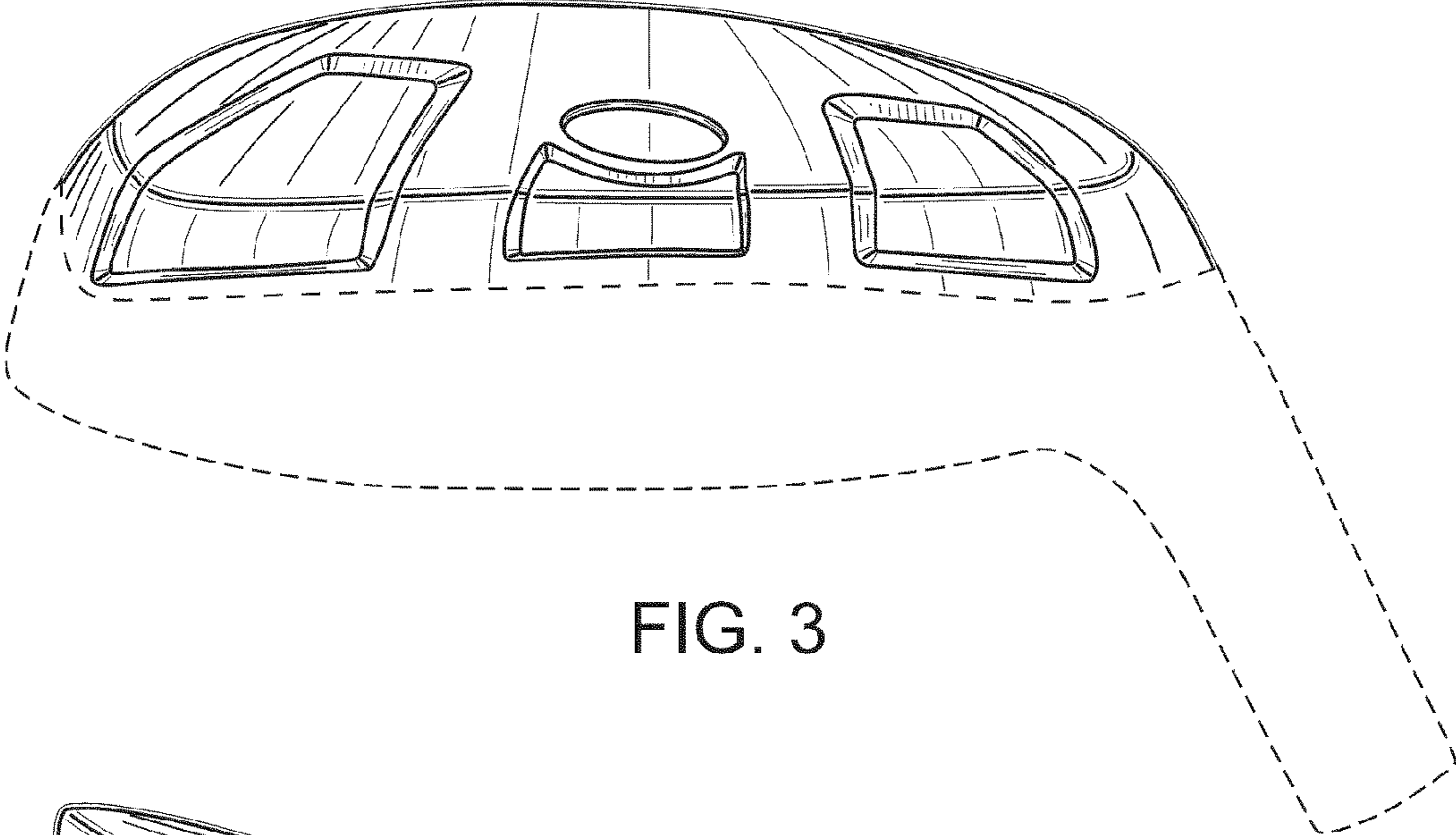


FIG. 3

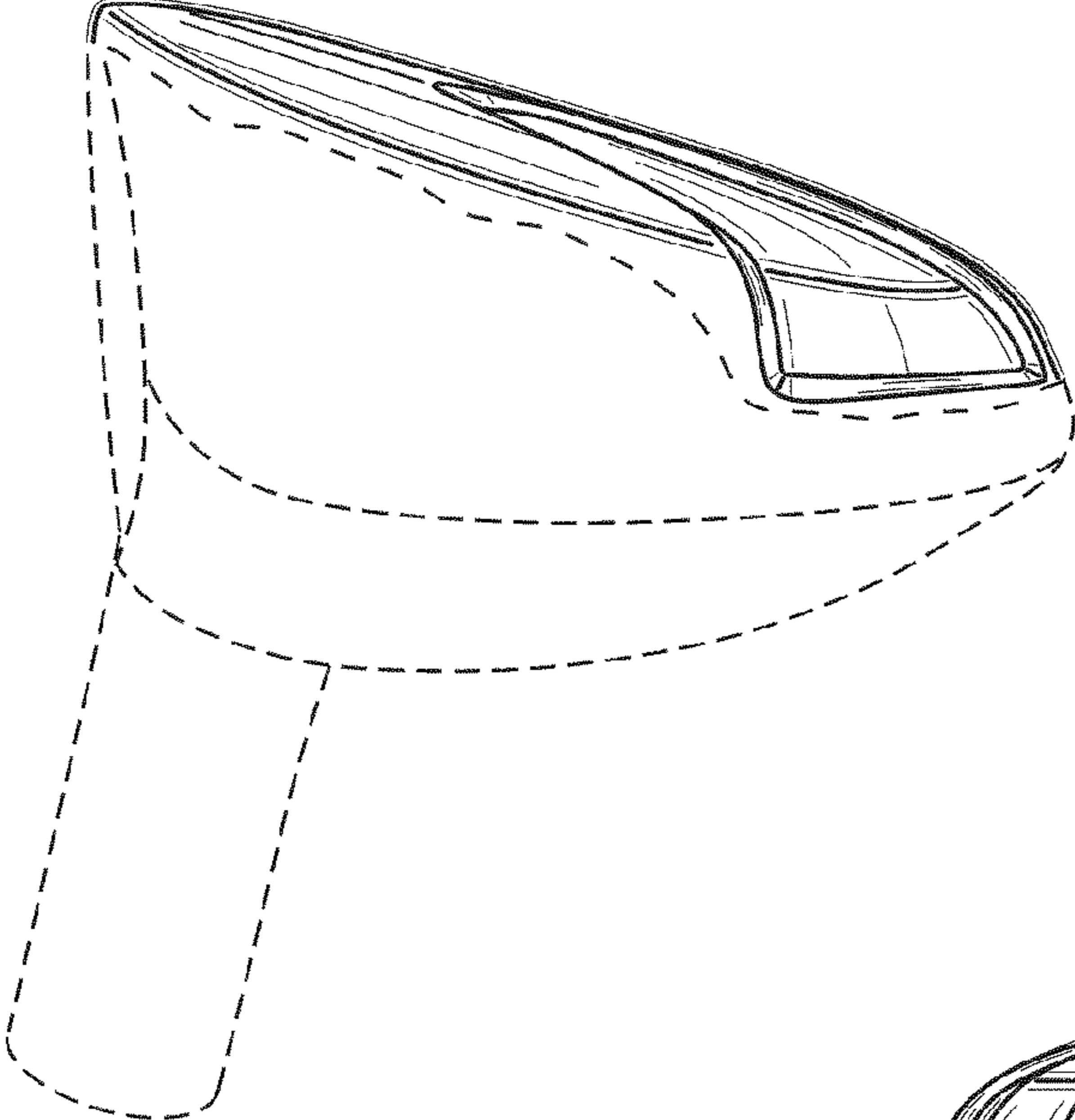


FIG. 4

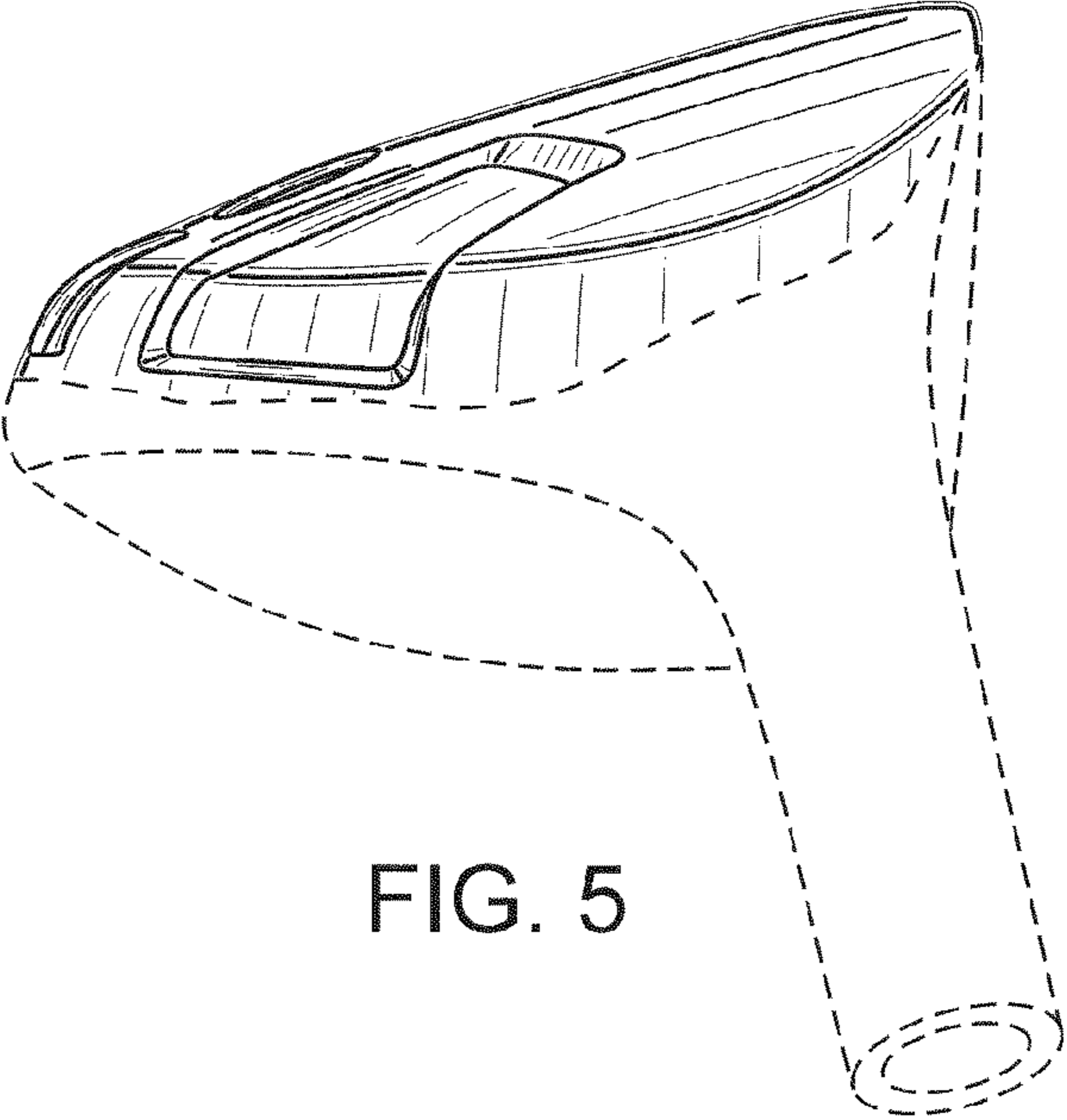


FIG. 5