



US00D591807S

(12) **United States Design Patent**
Rollinson

(10) **Patent No.:** **US D591,807 S**

(45) **Date of Patent:** **** *May 5, 2009**

(54) **PUTTER HEAD**

(75) Inventor: **Augustin W. Rollinson**, Carlsbad, CA
(US)

(73) Assignee: **Callaway Golf Company**, Carlsbad, CA
(US)

(*) Notice: This patent is subject to a terminal disclaimer.

(**) Term: **14 Years**

(21) Appl. No.: **29/321,858**

(22) Filed: **Jul. 24, 2008**

(51) **LOC (9) Cl.** **21-02**

(52) **U.S. Cl.** **D21/744**

(58) **Field of Classification Search** D21/736-746;
473/324-331, 340-341, 251-256

See application file for complete search history.

(56) **References Cited**

U.S. PATENT DOCUMENTS

D268,357 S *	3/1983	Mader	D21/733
4,741,535 A *	5/1988	Leonhardt	473/252
D318,701 S *	7/1991	Antonious	D21/733
D323,867 S *	2/1992	Rizzotto	D21/740
D327,930 S *	7/1992	Jazdzyk	D21/744
D372,063 S *	7/1996	Hueber	D21/752
5,997,409 A *	12/1999	Mattson	473/244
D421,471 S *	3/2000	Moldovan	D21/744
D430,244 S *	8/2000	Besnard et al.	D21/733
D435,615 S *	12/2000	Besnard et al.	D21/752
D436,638 S *	1/2001	Carrier	D21/744
D442,244 S *	5/2001	Olsavsky et al.	D21/752

D445,471 S *	7/2001	Besnard et al.	D21/752
D446,563 S *	8/2001	Besnard et al.	D21/752
D457,210 S *	5/2002	Noda	D21/736
D459,425 S *	6/2002	Burnett et al.	D21/752
D489,105 S *	4/2004	Kim	D21/733
D505,702 S *	5/2005	Wood	D21/736
D517,143 S *	3/2006	Petsel et al.	D21/742
D532,844 S *	11/2006	Rollinson	D21/736
D532,845 S *	11/2006	Rollinson	D21/736
D534,974 S *	1/2007	Haack	D21/743
D564,607 S *	3/2008	Oldknow et al.	D21/736
D565,681 S *	4/2008	Tanaka	D21/736
D573,673 S *	7/2008	Noyes	D21/736
D574,908 S *	8/2008	Hettinger et al.	D21/743

* cited by examiner

Primary Examiner—Mitchell I Siegel

(74) *Attorney, Agent, or Firm*—Michael A. Catania; Elaine H. Lo

(57) **CLAIM**

The ornamental design for a putter head, as shown and described.

DESCRIPTION

FIG. 1 is a top perspective view of a putter head as claimed herein;

FIG. 2 is a top plan view thereof;

FIG. 3 is a front view thereof;

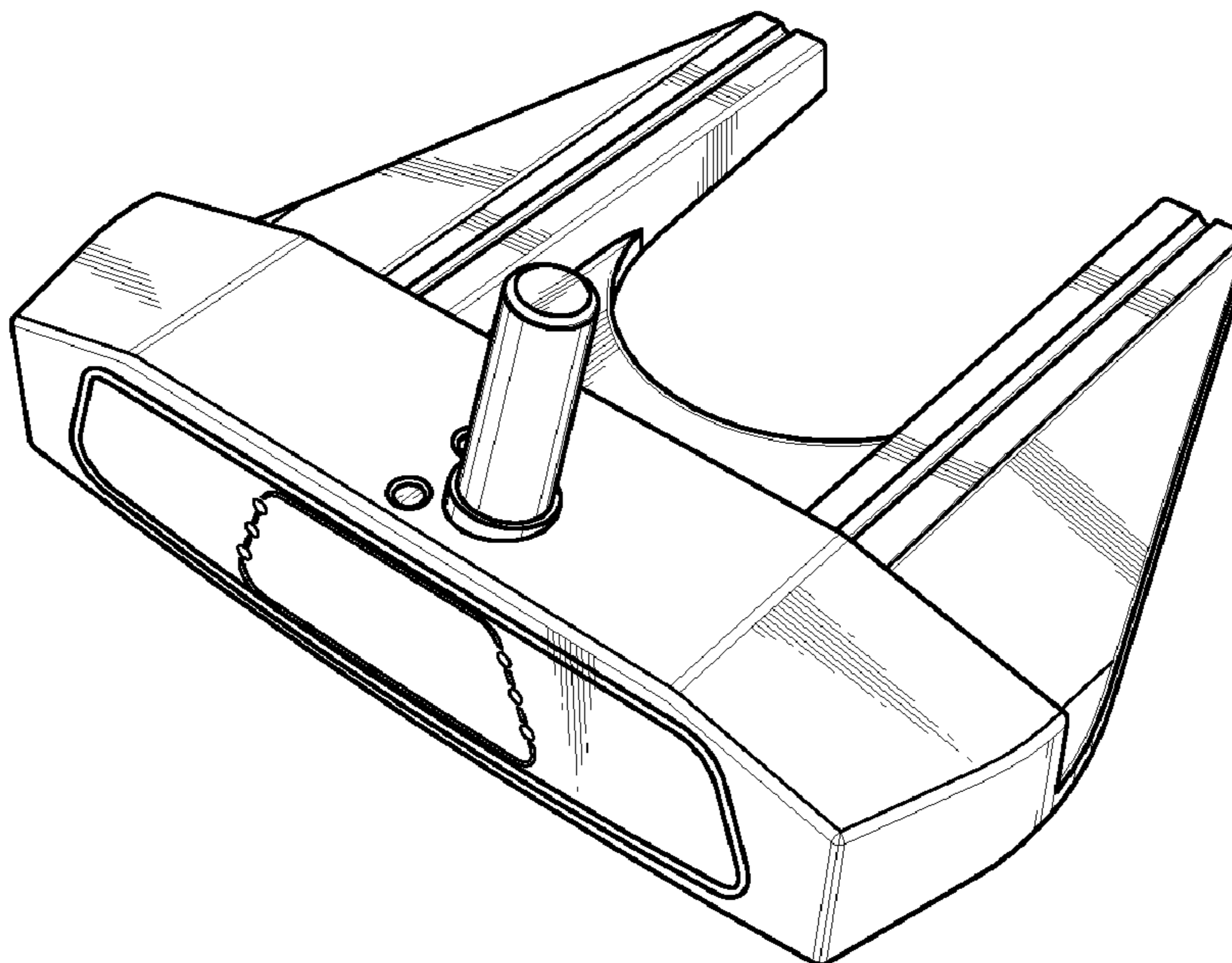
FIG. 4 is a rear view thereof;

FIG. 5 is a bottom plan view thereof;

FIG. 6 is a heel elevational view thereof; and,

FIG. 7 is a toe elevational view thereof.

1 Claim, 2 Drawing Sheets



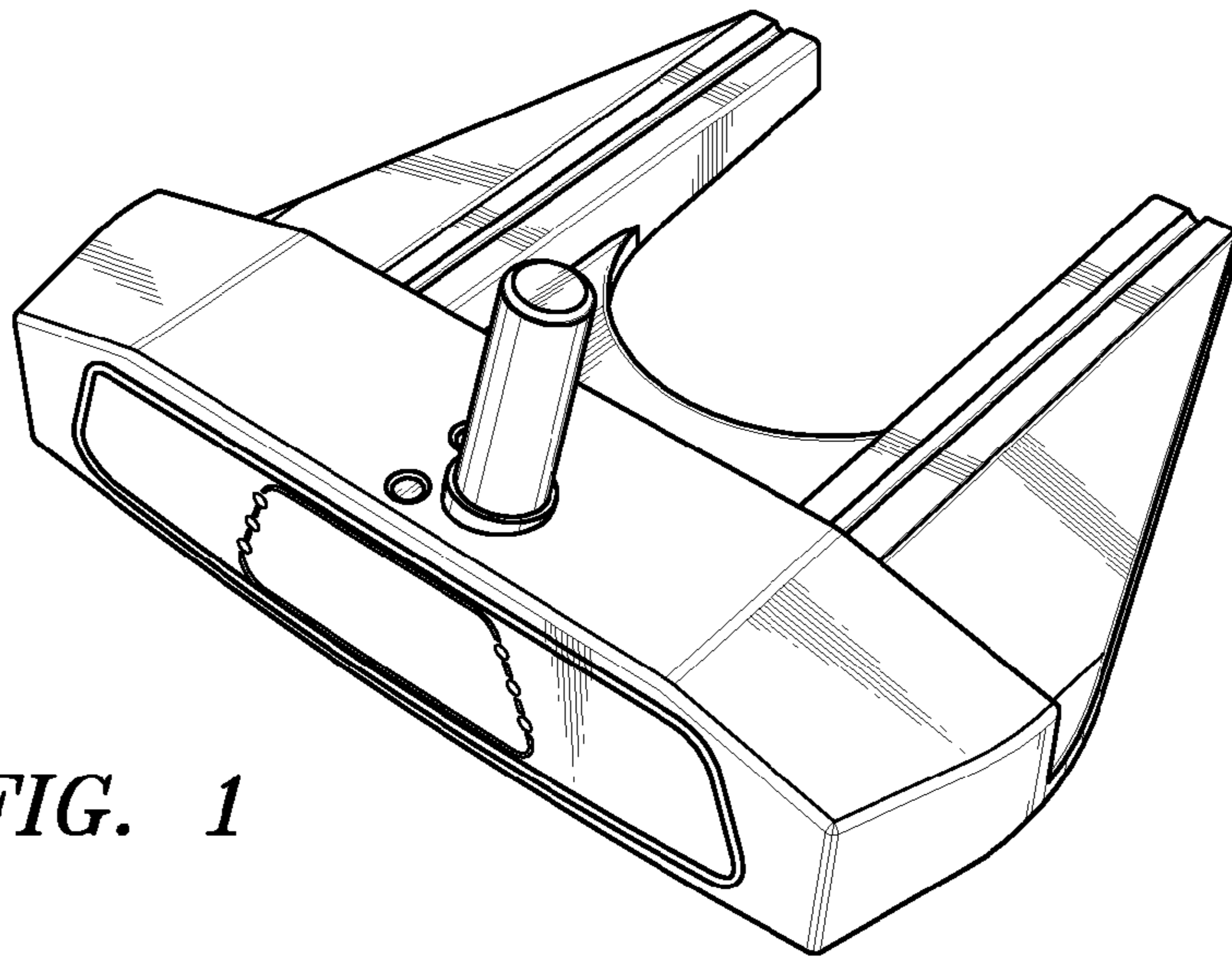


FIG. 1

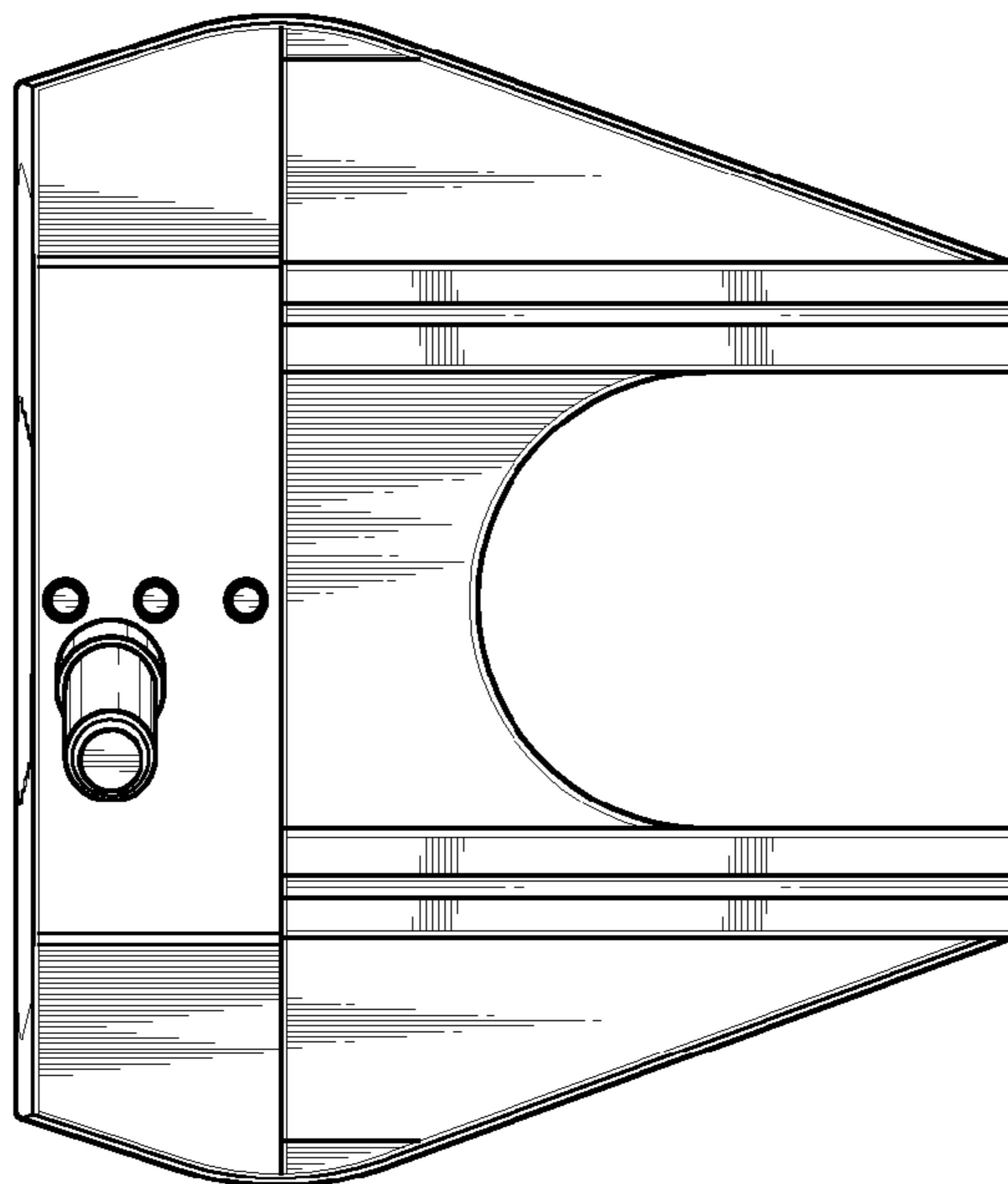


FIG. 2

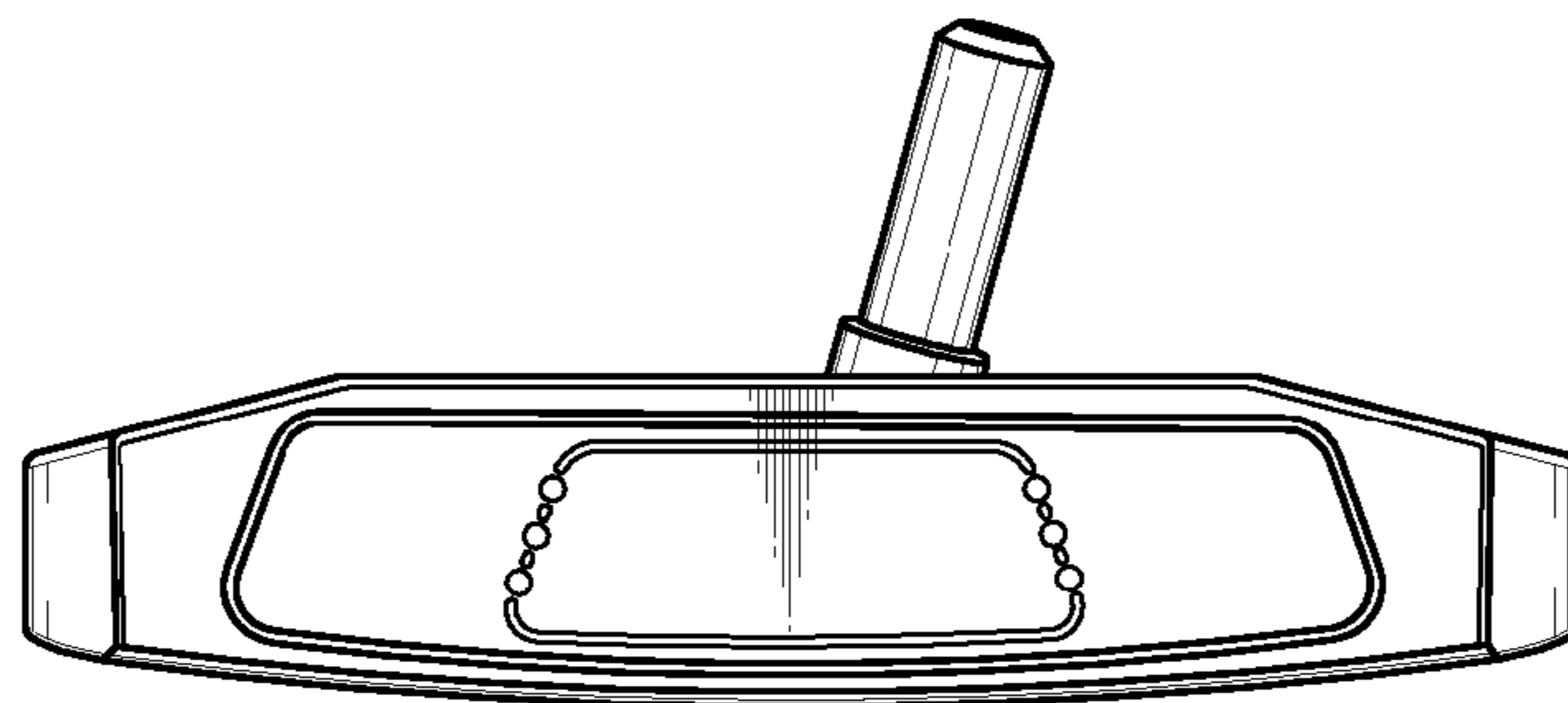


FIG. 3

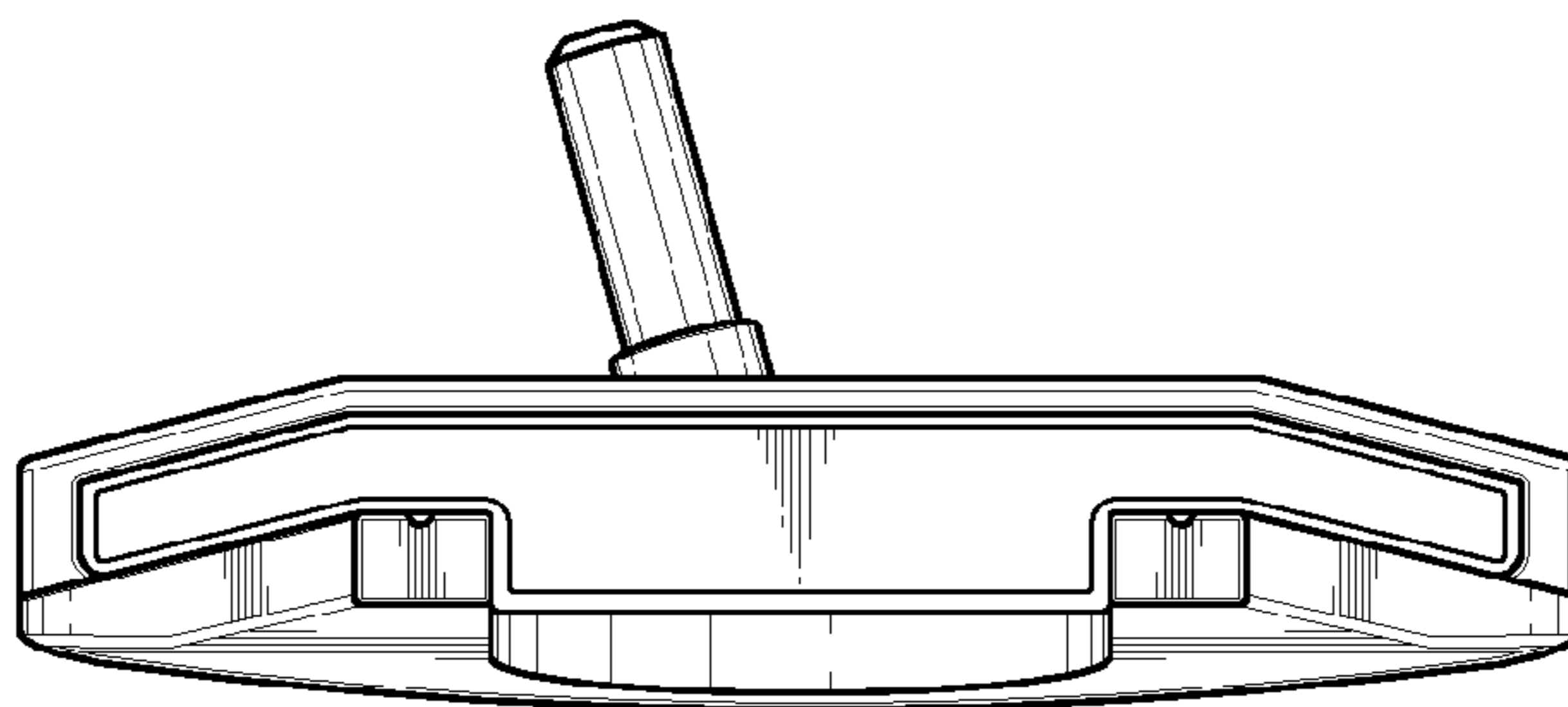


FIG. 4

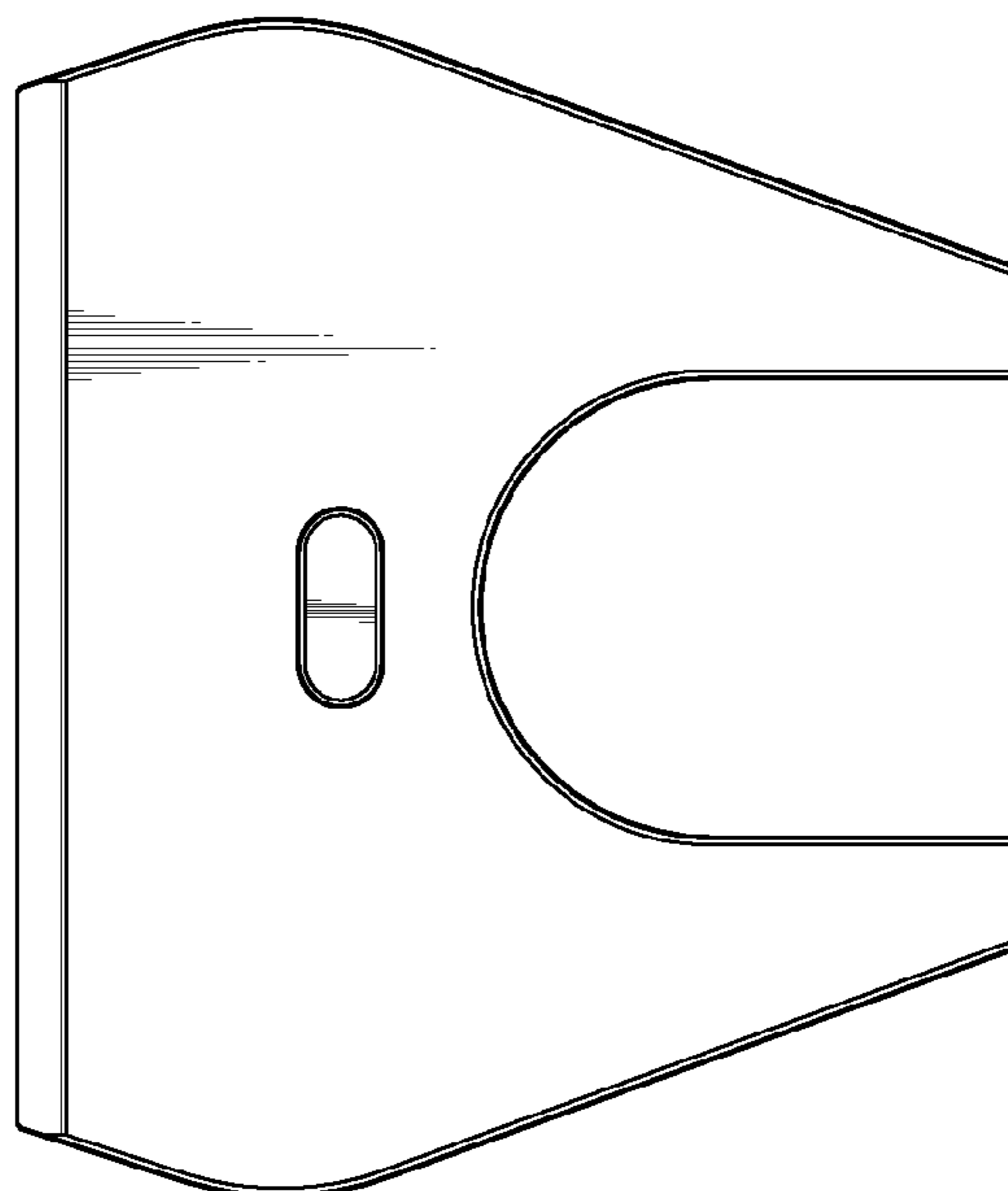


FIG. 5

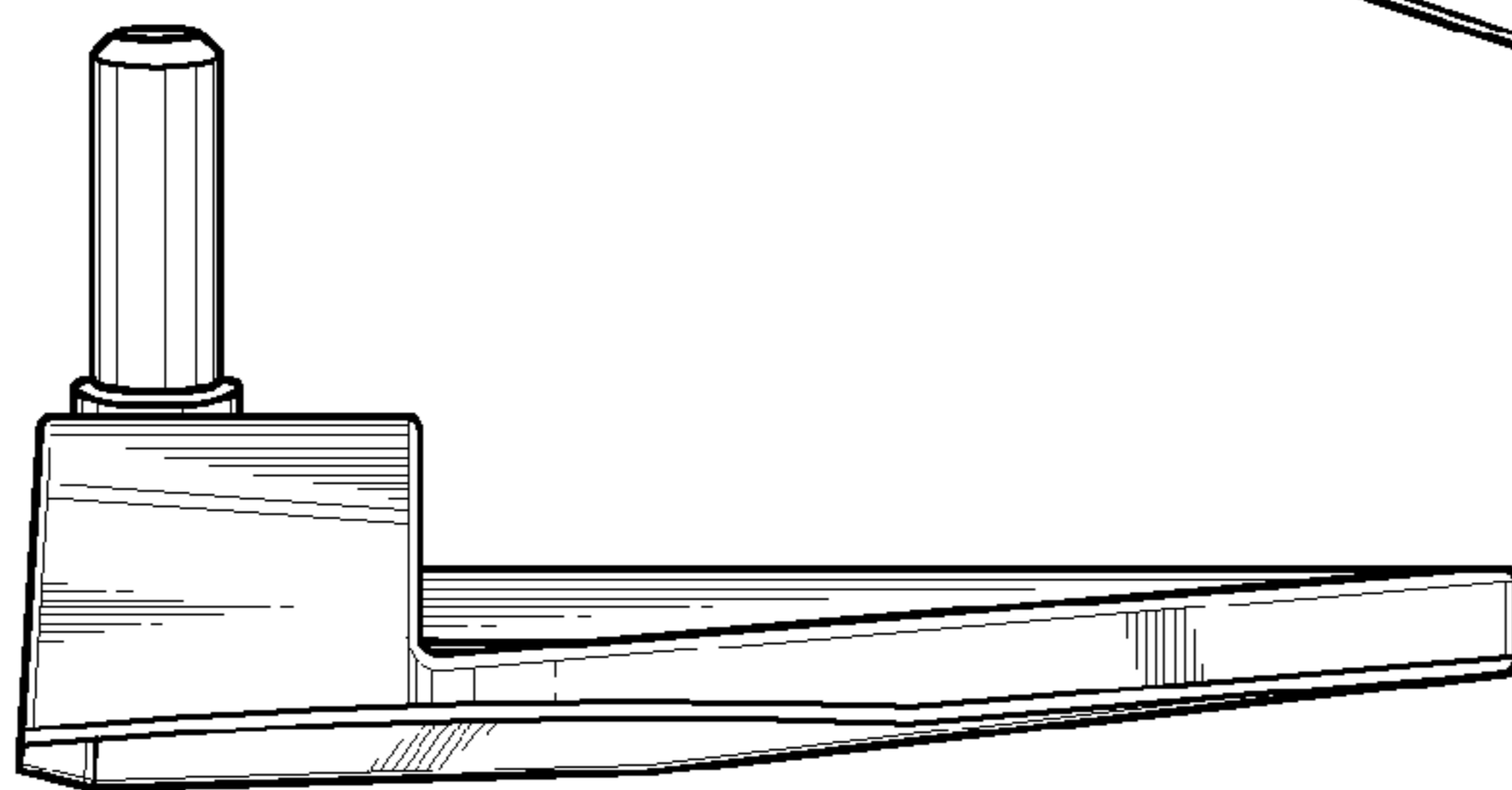


FIG. 6

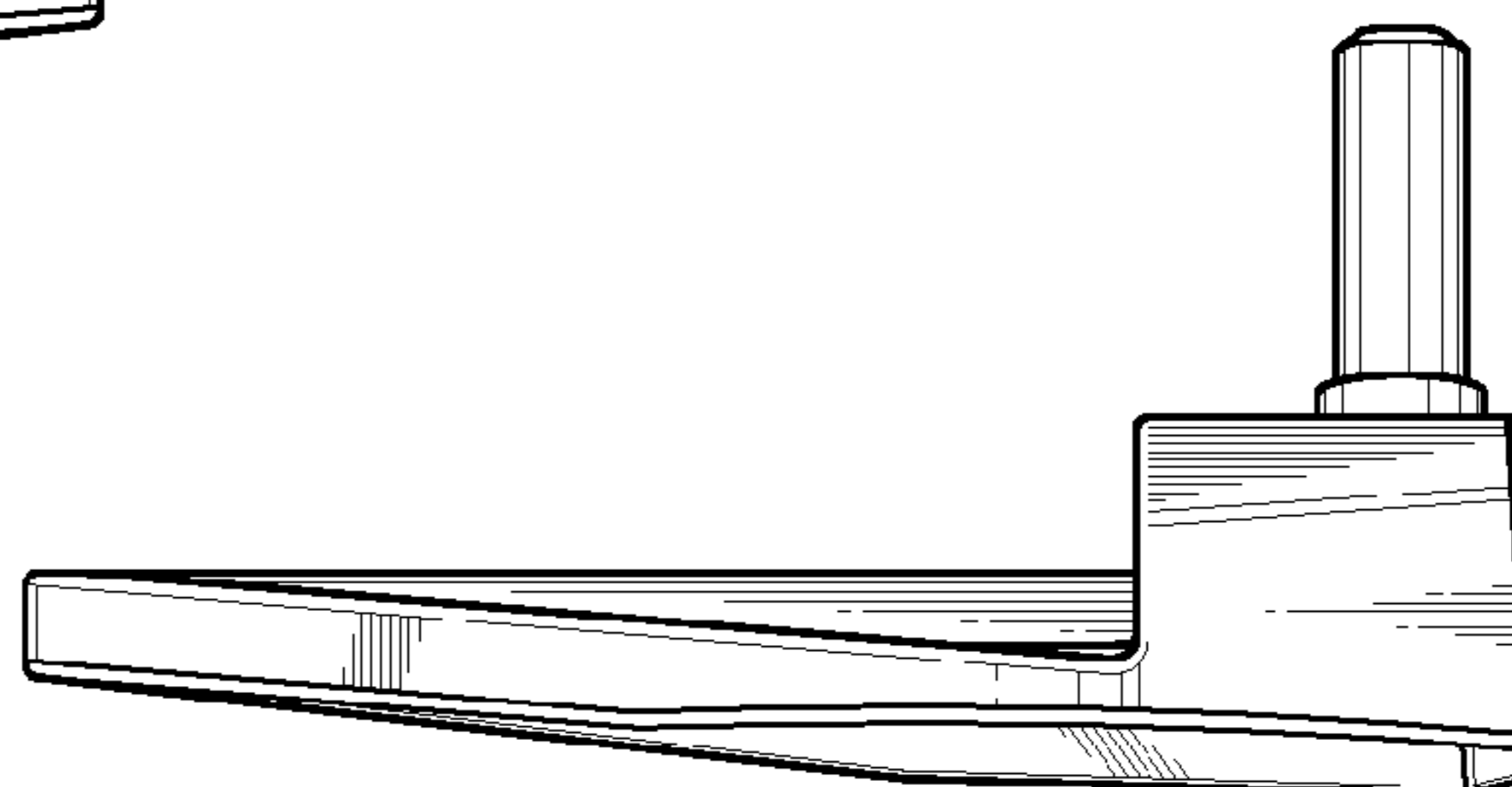


FIG. 7