



US00D591806S

(12) **United States Design Patent**
Cameron

(10) **Patent No.:** **US D591,806 S**

(45) **Date of Patent:** **** May 5, 2009**

(54) **PUTTER HEAD**

(75) Inventor: **Don T. Cameron**, Carlsbad, CA (US)

(73) Assignee: **Acushnet Company**, Fairhaven, MA (US)

(**) Term: **14 Years**

(21) Appl. No.: **29/322,444**

(22) Filed: **Aug. 5, 2008**

(51) **LOC (9) Cl.** **21-02**

(52) **U.S. Cl.** **D21/743**

(58) **Field of Classification Search** D21/736-746;
473/324-331, 340-341

See application file for complete search history.

(56) **References Cited**

U.S. PATENT DOCUMENTS

D235,668 S *	7/1975	Swash	D21/739
D296,120 S *	6/1988	Brace	D21/739
D396,083 S *	7/1998	Sheets	D21/742
D399,911 S *	10/1998	Nicolette et al.	D21/736
D493,857 S *	8/2004	Cameron	D21/738
D500,109 S *	12/2004	Solheim et al.	D21/736
D500,110 S *	12/2004	Solheim et al.	D21/742
D507,612 S	7/2005	Souza et al.		
6,960,140 B2 *	11/2005	Solheim et al.	473/251

D522,598 S *	6/2006	Solheim et al.	D21/742
D532,842 S *	11/2006	Jones et al.	D21/736
D532,843 S *	11/2006	Jones et al.	D21/736
D533,243 S *	12/2006	Fife et al.	D21/736
D564,606 S *	3/2008	Oldknow et al.	D21/736
2005/0159240 A1 *	7/2005	Solheim et al.	473/340
2005/0159242 A1 *	7/2005	Solheim et al.	473/340

* cited by examiner

Primary Examiner—Mitchell I Siegel

(74) *Attorney, Agent, or Firm*—Kristin D. Wheeler

(57) **CLAIM**

The ornamental design for a putter head, as shown and described.

DESCRIPTION

FIG. 1 is a top back heel side perspective view of my new design for a putter head;

FIG. 2 is a front top perspective view thereof;

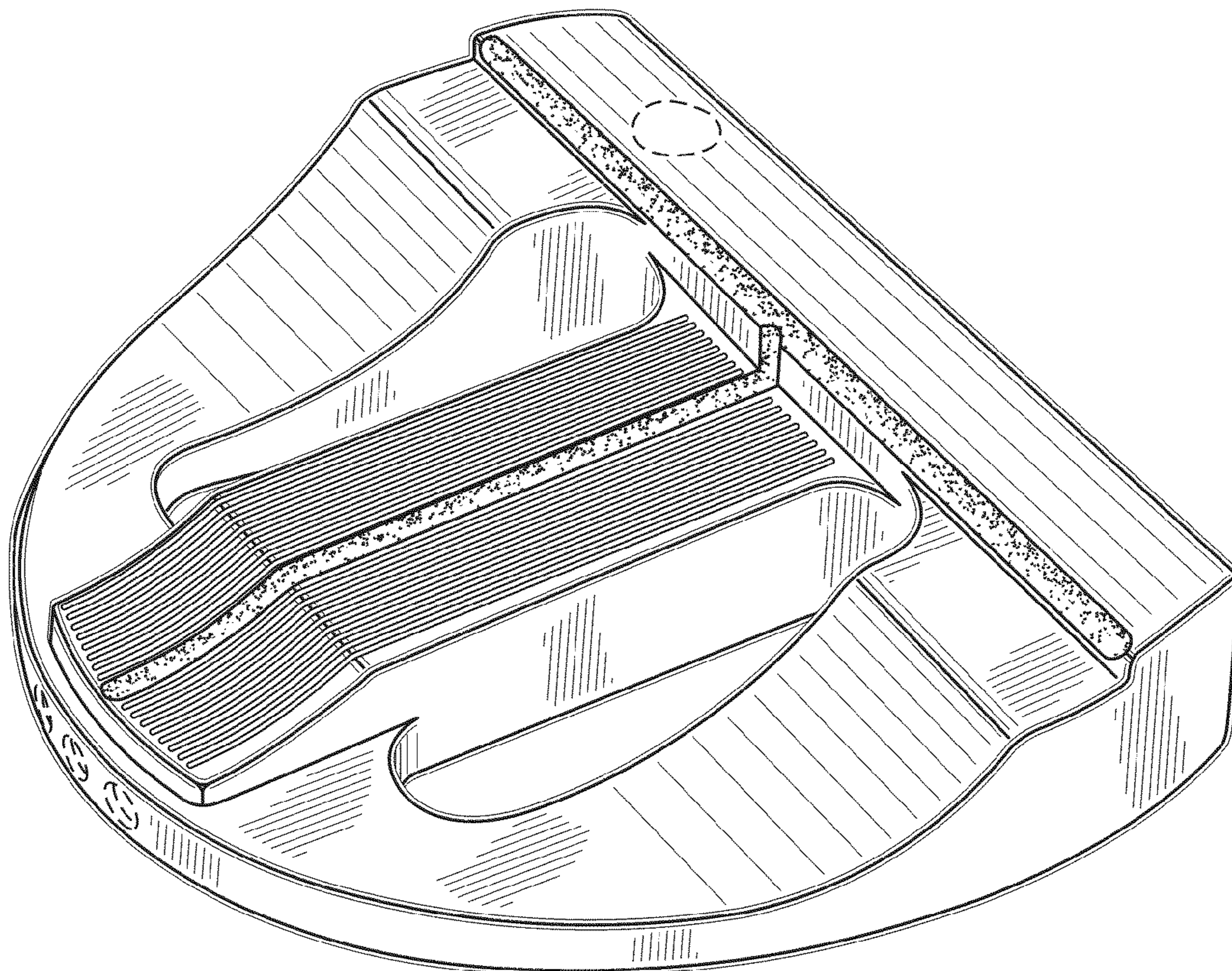
FIG. 3 is a heel side top perspective view thereof;

FIG. 4 is a top back perspective view thereof; and,

FIG. 5 is a bottom back perspective view thereof.

The portion of the club head shown in phantom is for illustrative purposes only and does not form any portion of the claimed design.

1 Claim, 3 Drawing Sheets



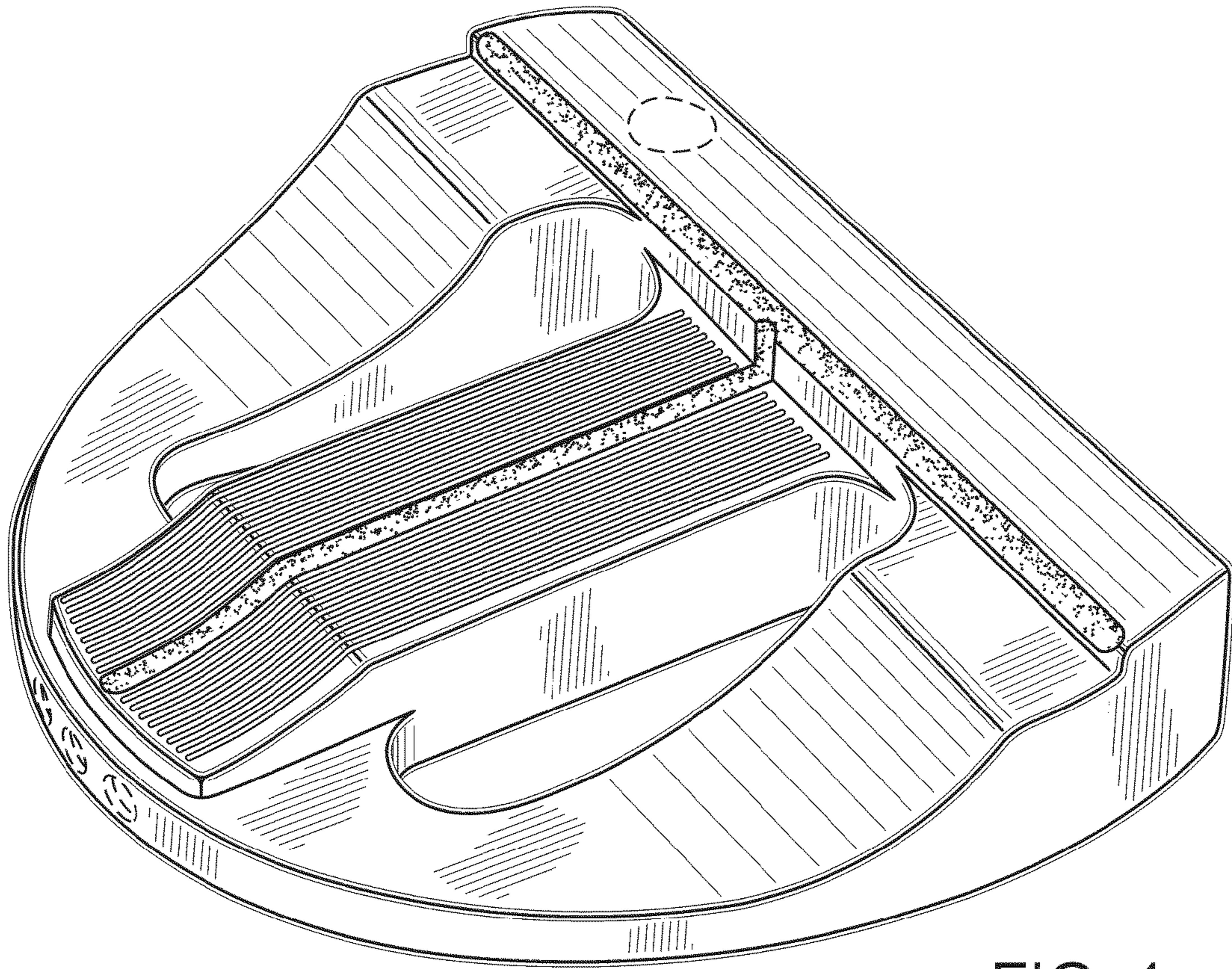


FIG. 1

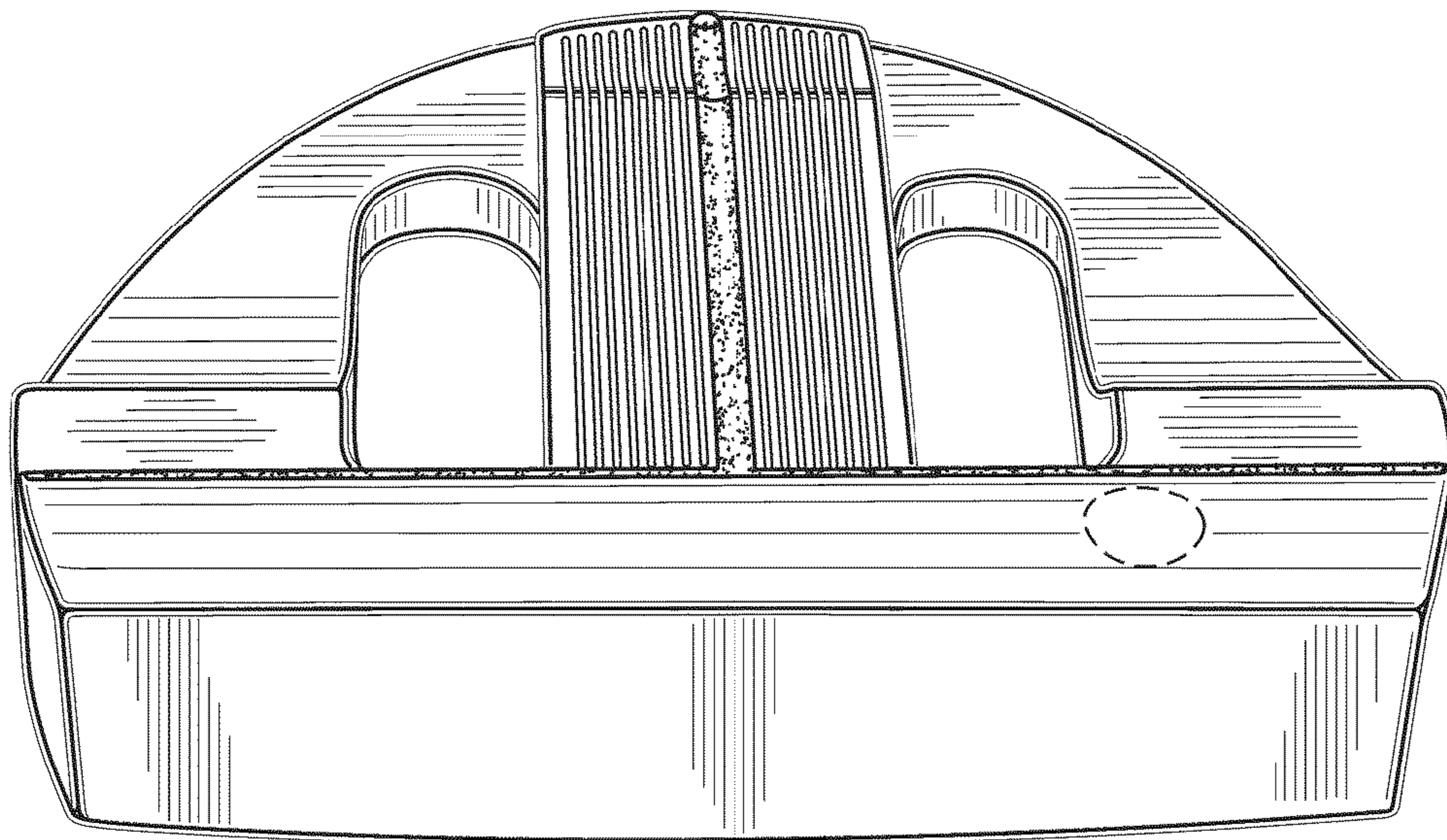


FIG. 2

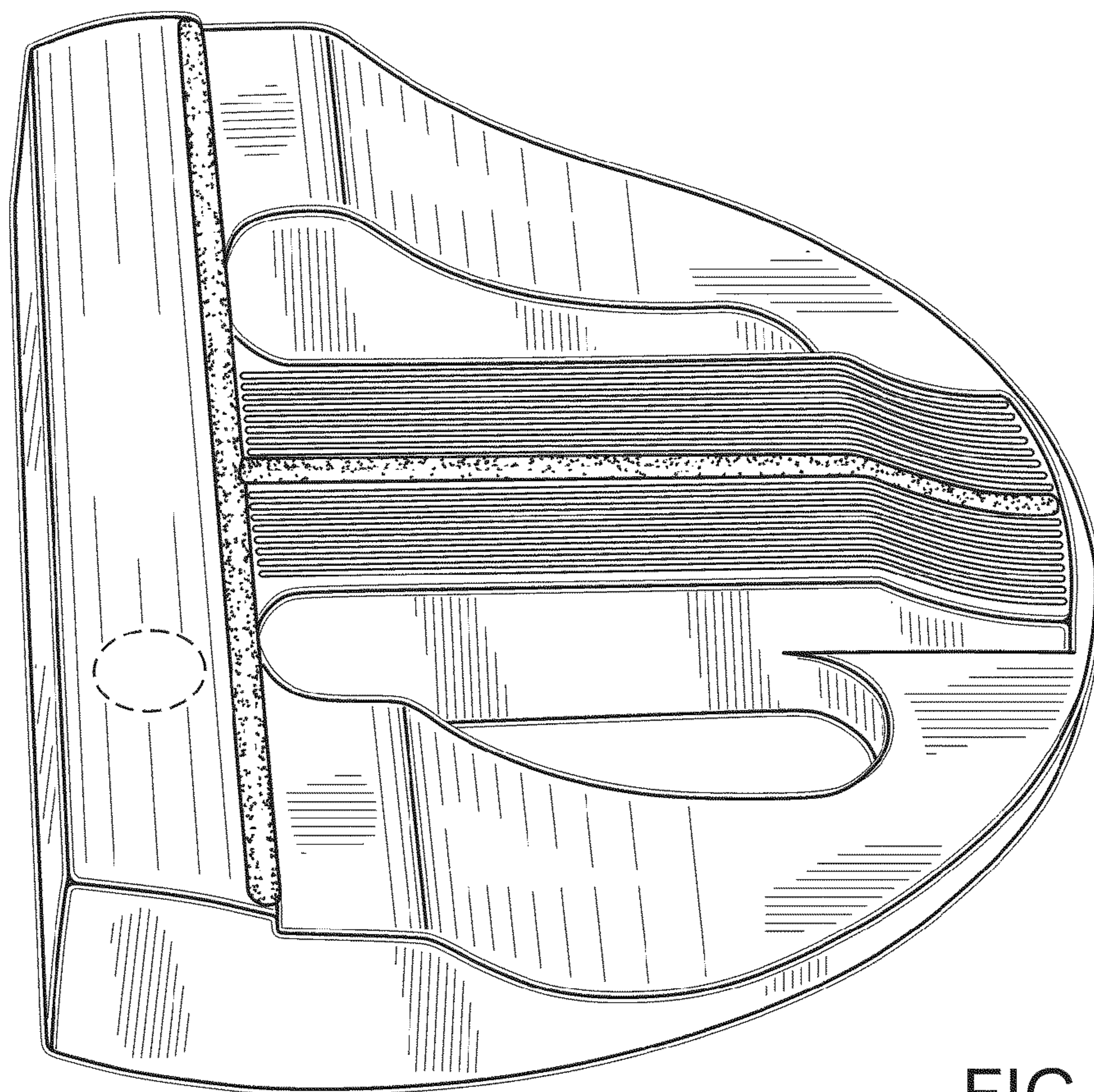


FIG. 3

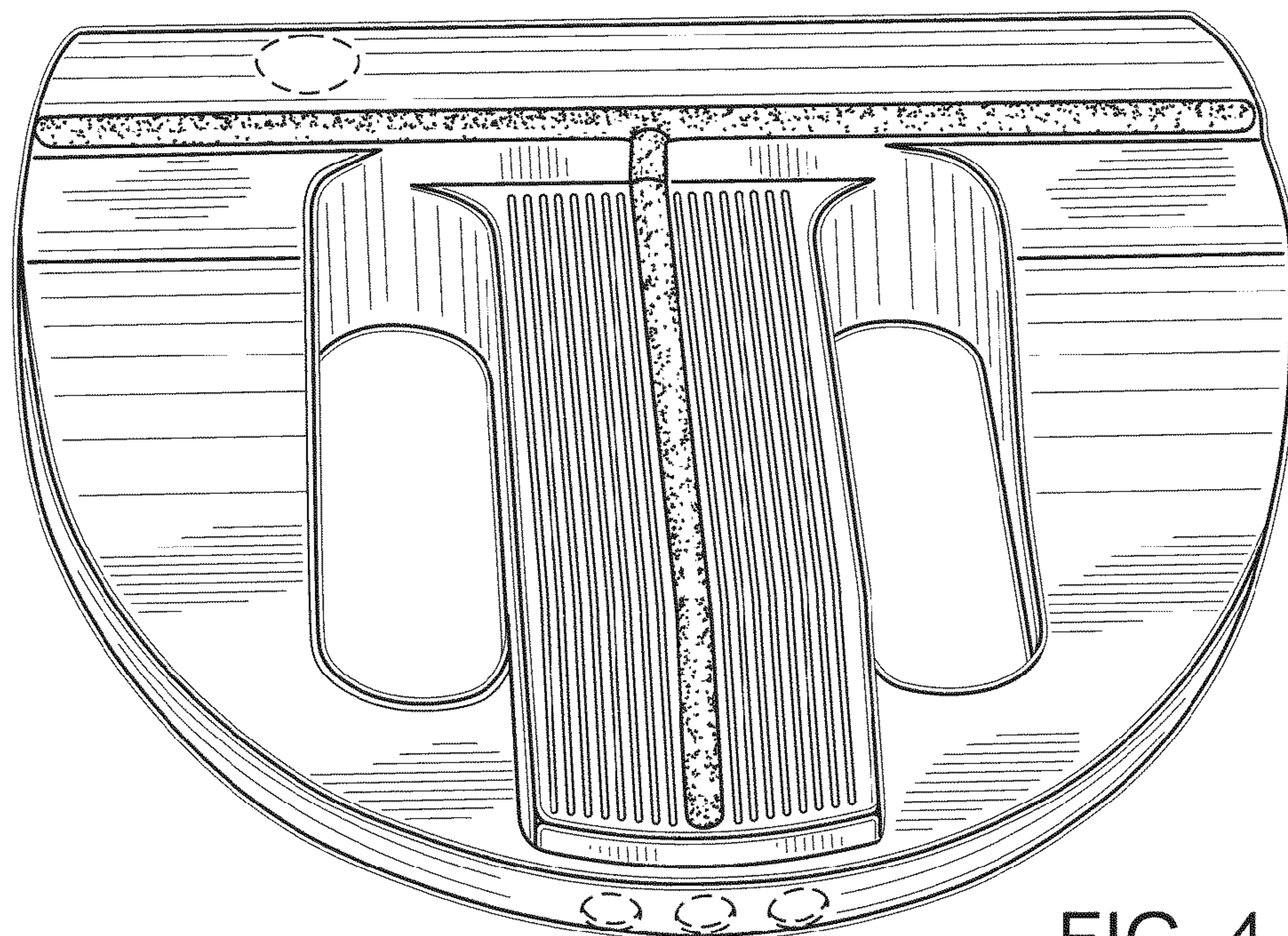


FIG. 4

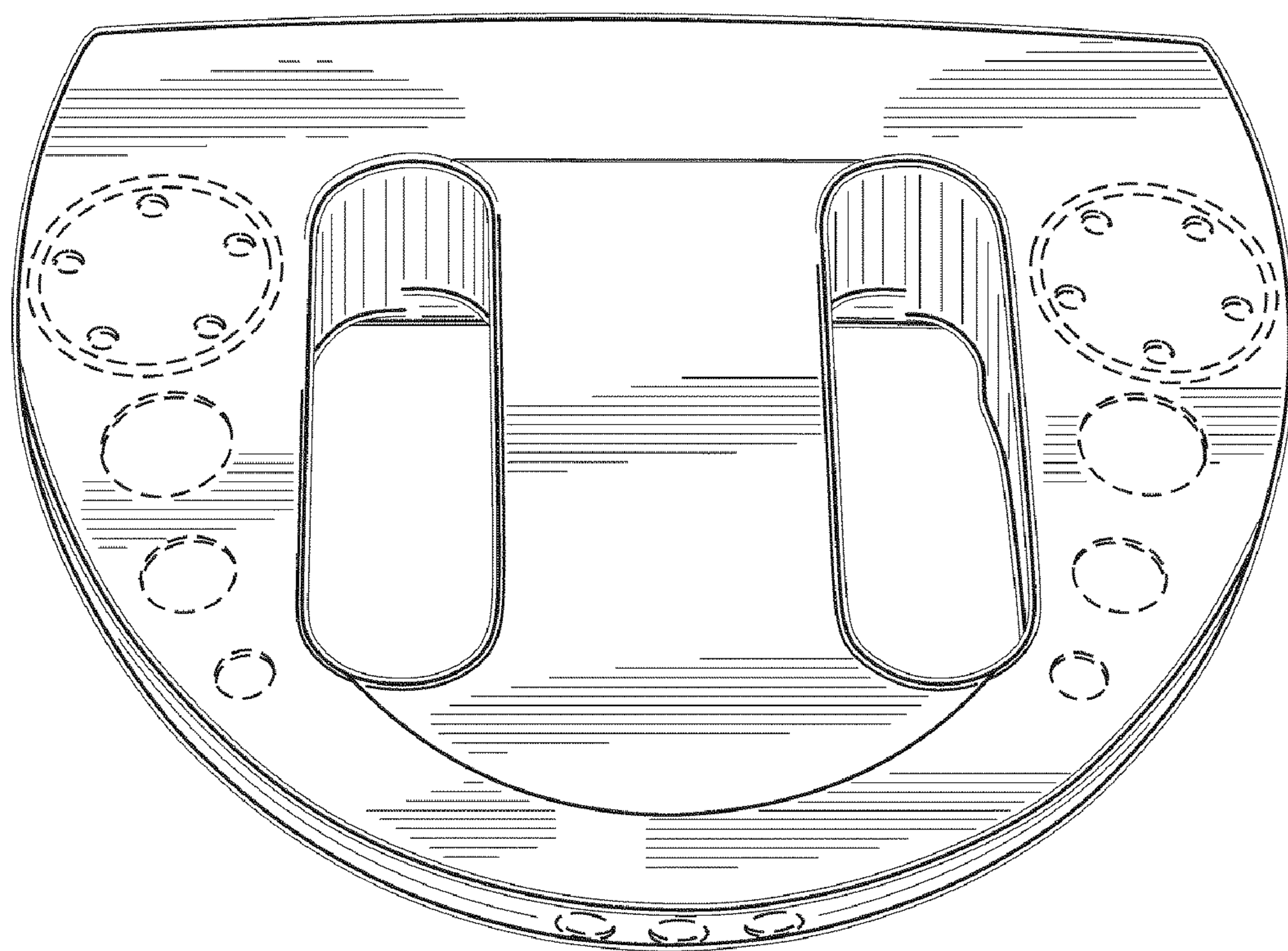


FIG. 5