



US00D591802S

(12) **United States Design Patent**
Sato et al.

(10) **Patent No.:** **US D591,802 S**

(45) **Date of Patent:** **** May 5, 2009**

(54) **TOY**

(75) Inventors: **Wataru Sato**, Kawasaki (JP); **Noriyoshi Matsumura**, Chiba (JP)

(73) Assignee: **Spin Master Ltd.**, Toronto, Ontario (CA)

(**) Term: **14 Years**

(21) Appl. No.: **29/293,817**

(22) Filed: **Dec. 13, 2007**

(30) **Foreign Application Priority Data**

Jun. 19, 2007 (JP) 2007-016297

(51) **LOC (9) Cl.** **21-01**

(52) **U.S. Cl.** **D21/578; D21/579**

(58) **Field of Classification Search** D21/578-583,
D21/621, 622; 446/266, 384; D15/199
See application file for complete search history.

(56) **References Cited**

U.S. PATENT DOCUMENTS

D272,458 S	1/1984	Fleminger	
D286,800 S	11/1986	Maruyama	
D287,258 S	12/1986	Maruyama	
D292,110 S	9/1987	Tamakoshi	
D296,916 S	7/1988	Matsuda	
D297,749 S	9/1988	Rodis-Jamero	
D298,150 S	10/1988	Torres et al.	
D298,151 S	10/1988	Torres et al.	
D301,263 S *	5/1989	Ishizawa D21/581

D534,970 S *	1/2007	Saucier D21/578
D553,696 S *	10/2007	Sato et al. D21/579
D554,205 S *	10/2007	Sato et al. D21/579
D558,281 S *	12/2007	Sato et al. D21/579
2006/0258260 A1 *	11/2006	Okamoto et al. 446/321

* cited by examiner

Primary Examiner—Janice E Seeger

Assistant Examiner—Zenia I Bennett

(74) *Attorney, Agent, or Firm*—Cohen Pontani Lieberman & Pavane LLP

(57) **CLAIM**

The ornamental design for a toy, as shown and described.

DESCRIPTION

FIG. 1 is a top view showing the toy in the opened state;

FIG. 2 is a bottom view thereof;

FIG. 3 is a front view thereof;

FIG. 4 is a rear view thereof;

FIG. 5 is a left side view thereof;

FIG. 6 is a right side view thereof;

FIG. 7 is a top view of the toy in the closed state;

FIG. 8 is a bottom view thereof;

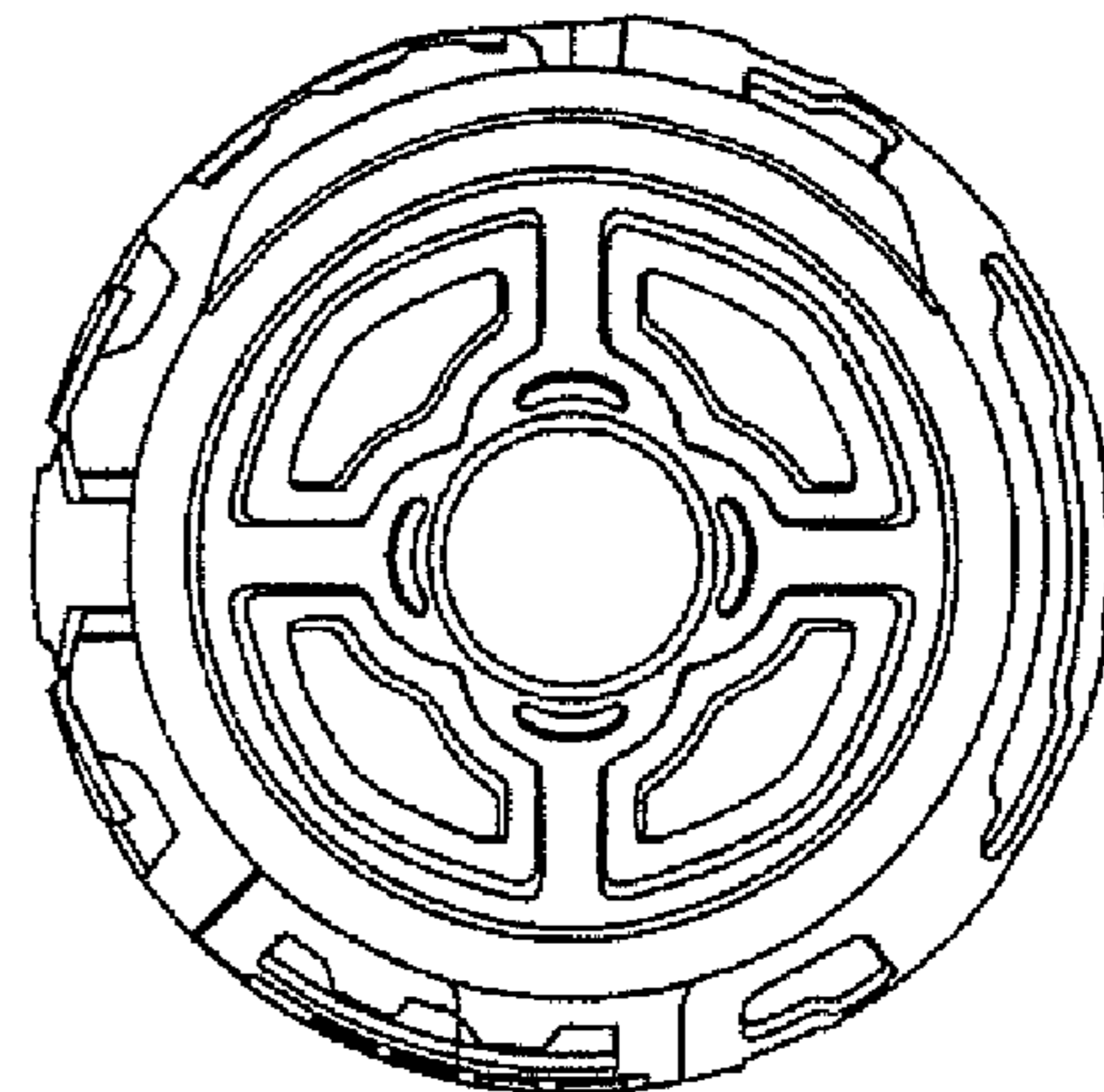
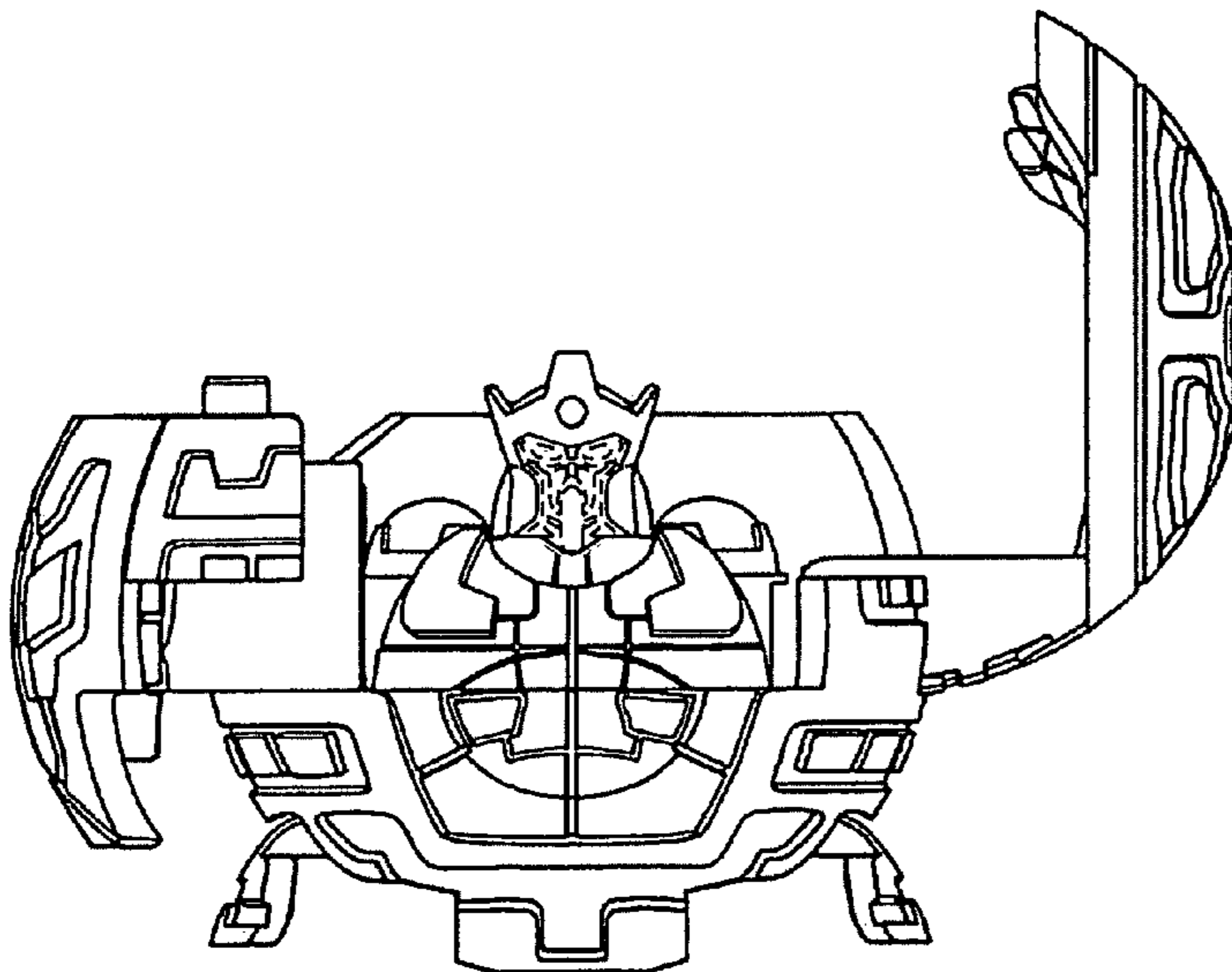
FIG. 9 is a front view thereof;

FIG. 10 is a rear view thereof;

FIG. 11 is a left side view thereof; and,

FIG. 12 is a right side view thereof.

1 Claim, 6 Drawing Sheets



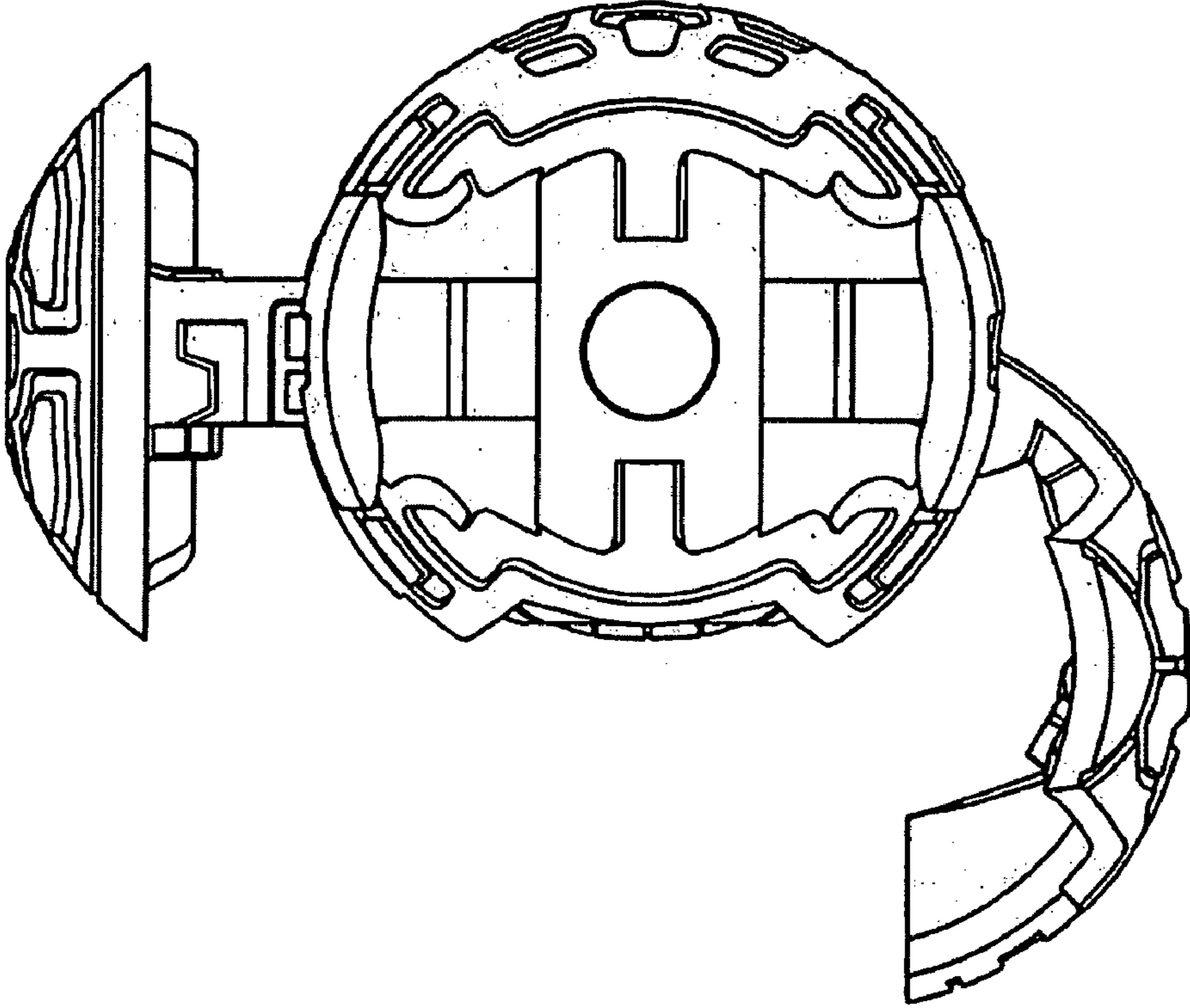


Fig. 2

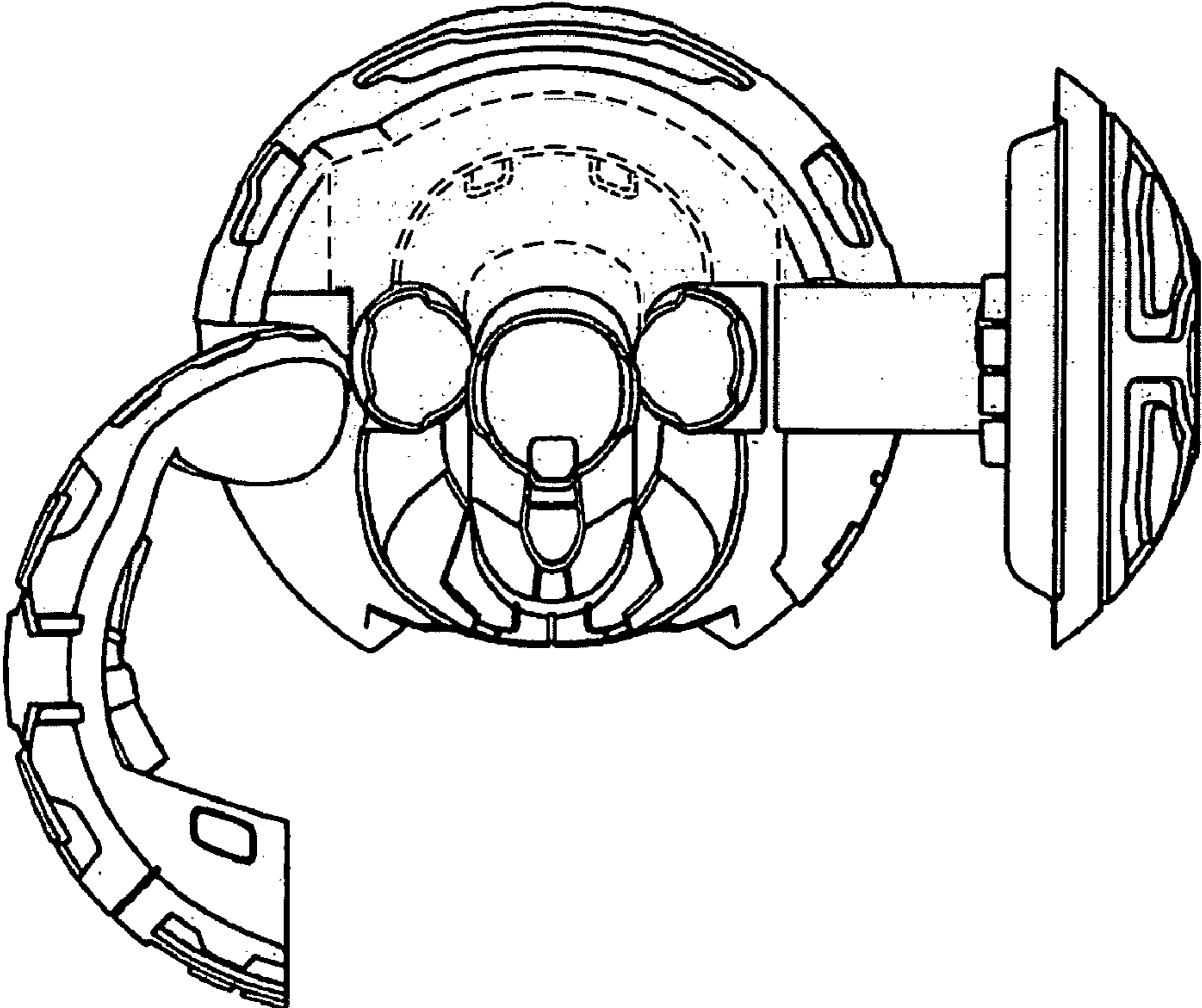


Fig. 1

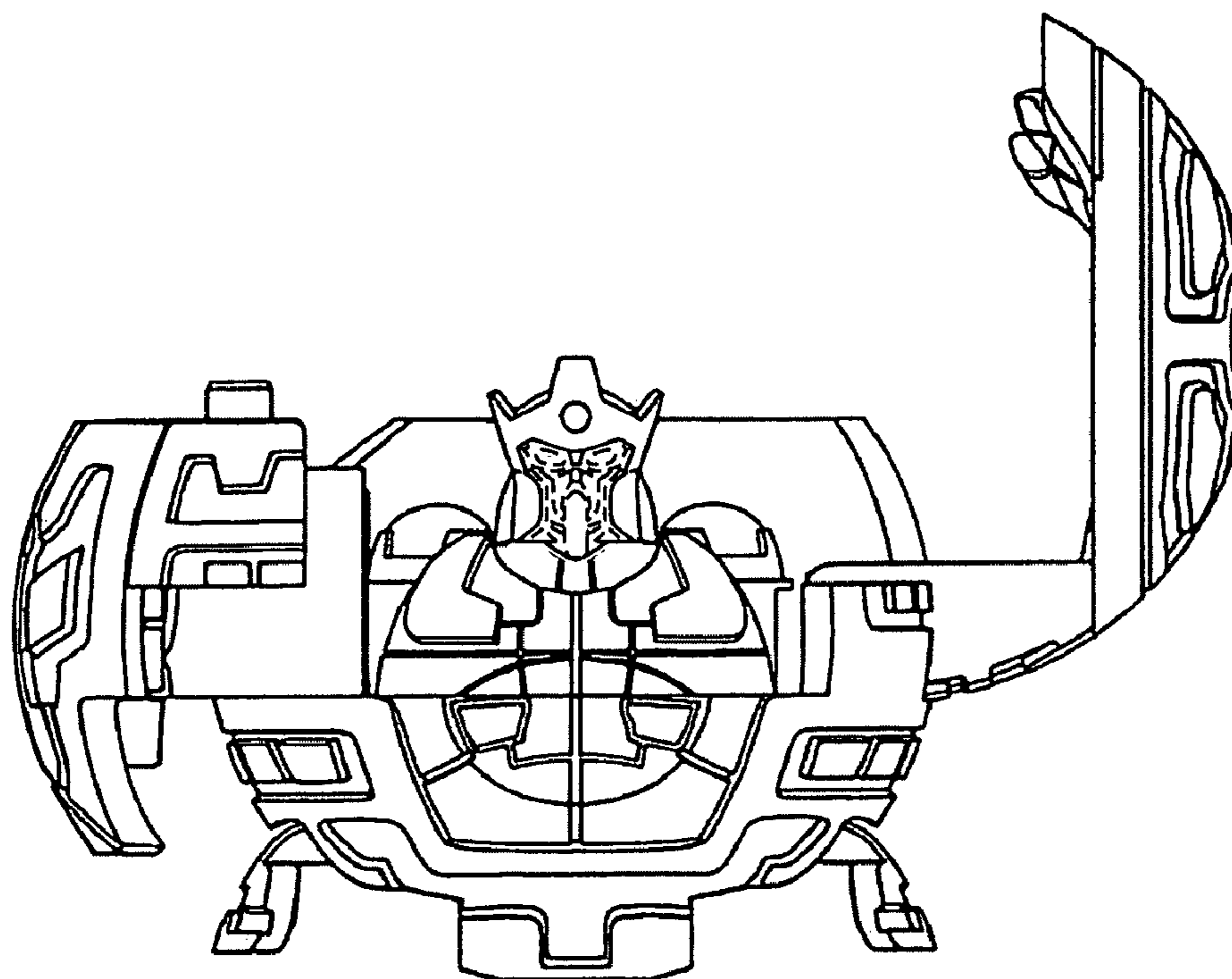


Fig. 3

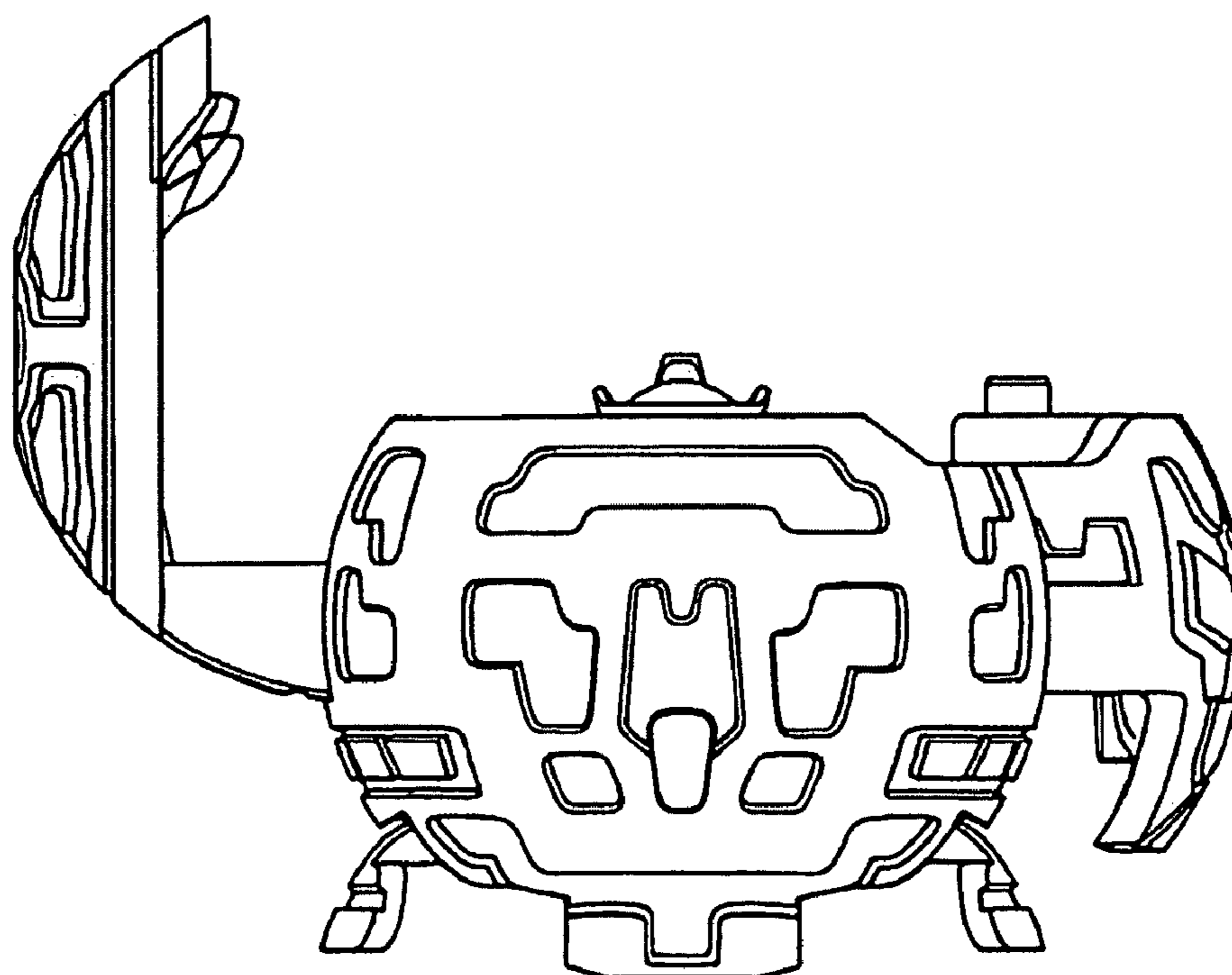


Fig. 4

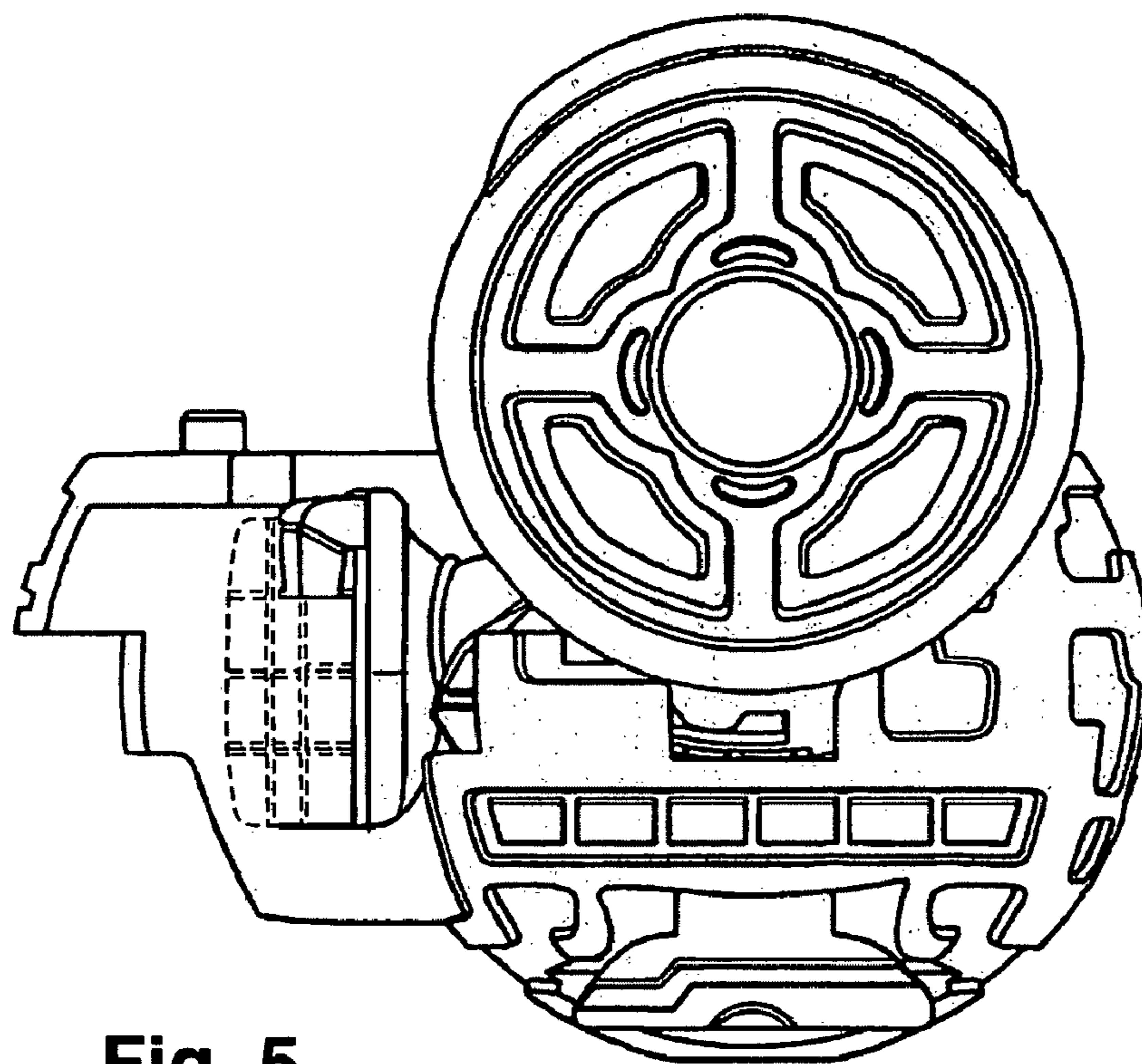


Fig. 5

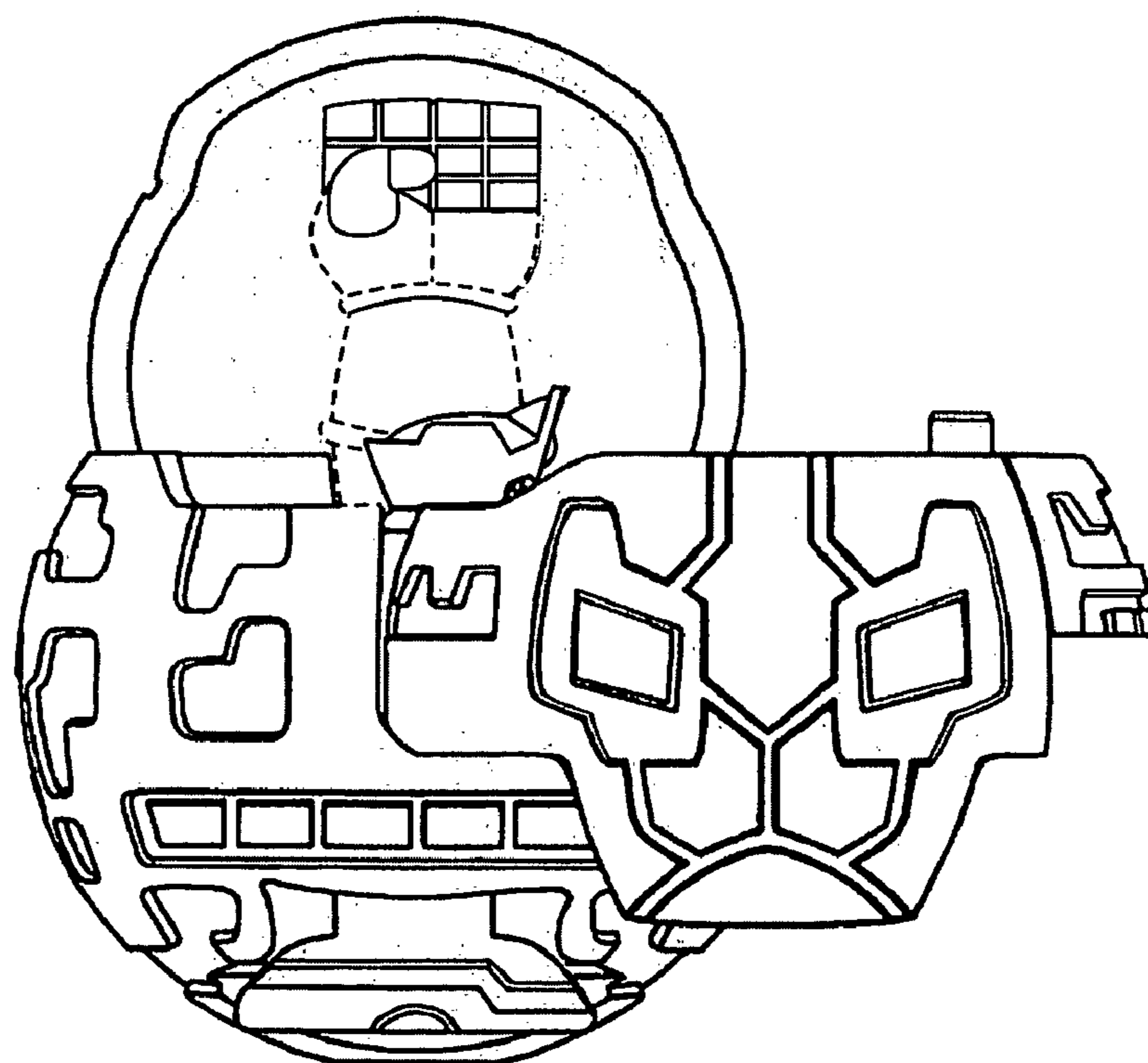


Fig. 6

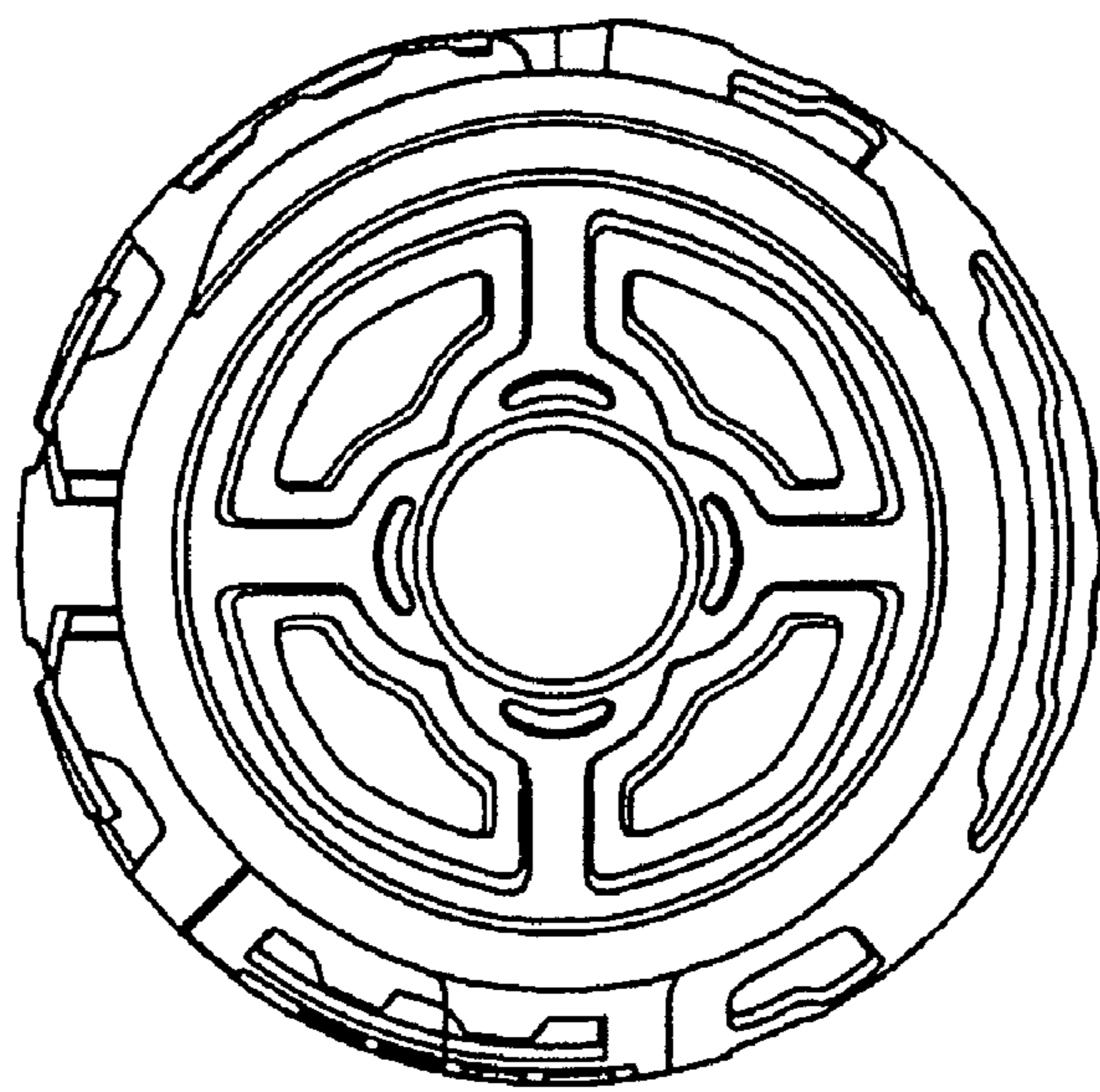


Fig. 7

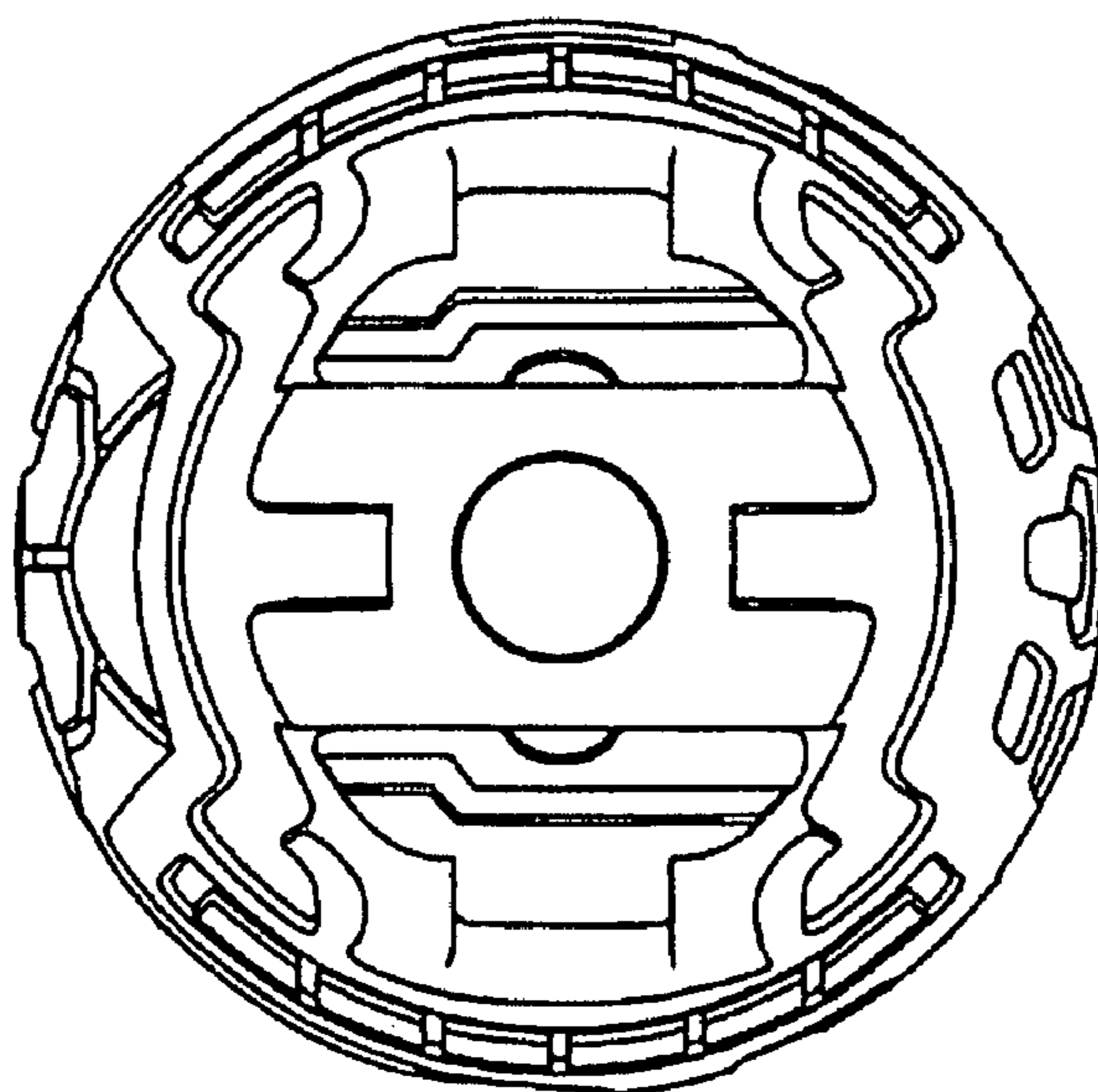


Fig. 8

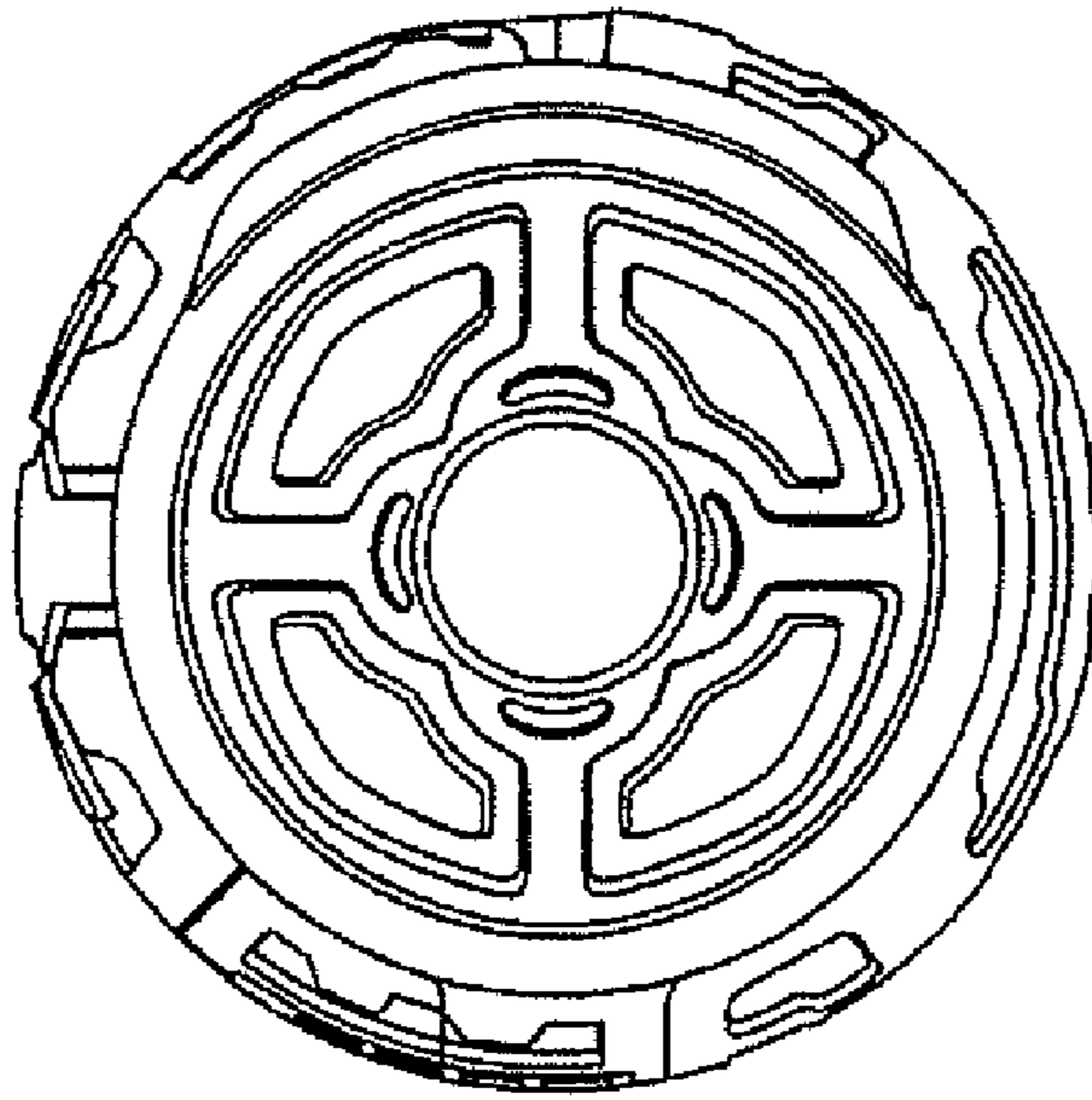


Fig. 9

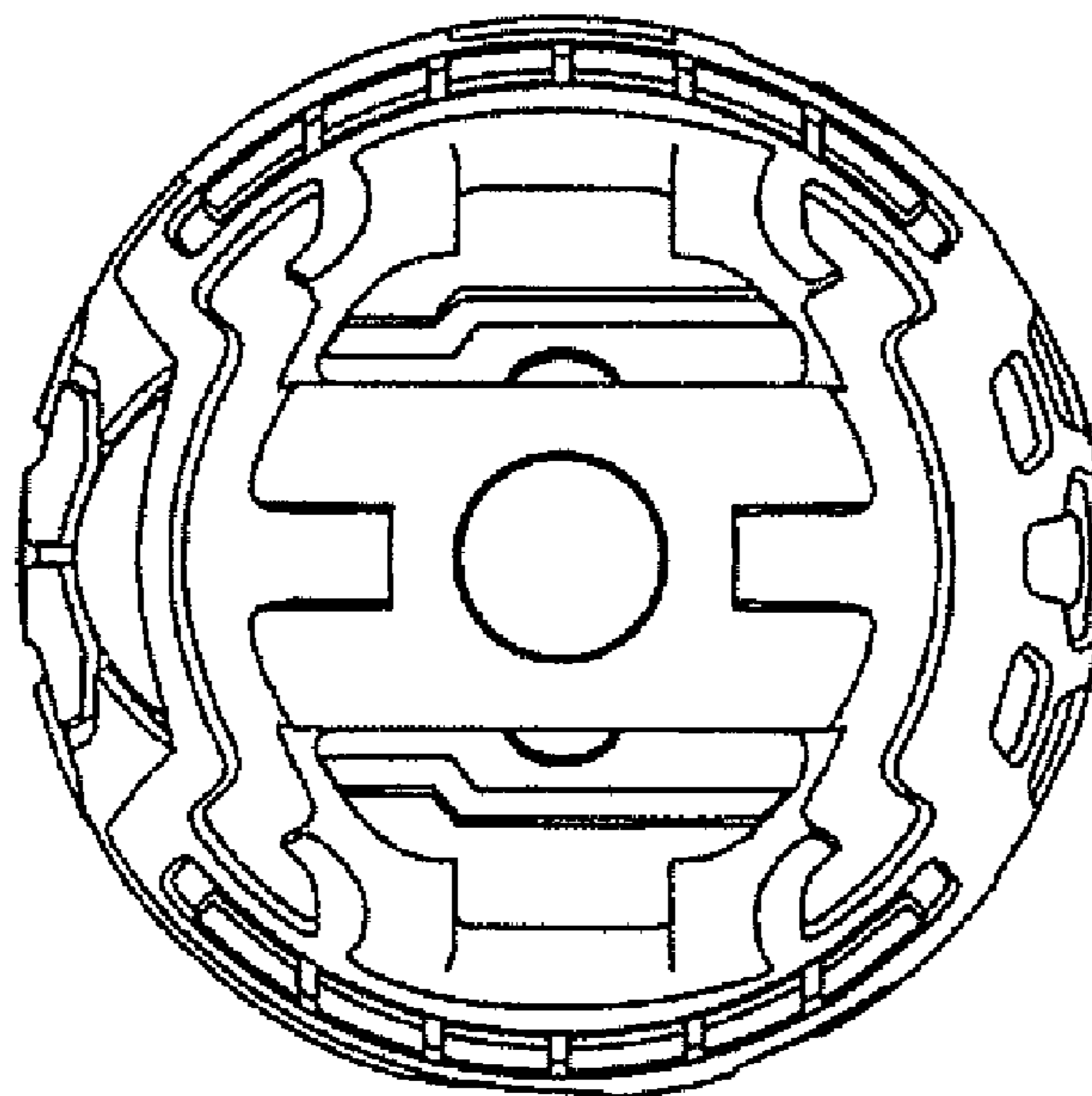


Fig. 10

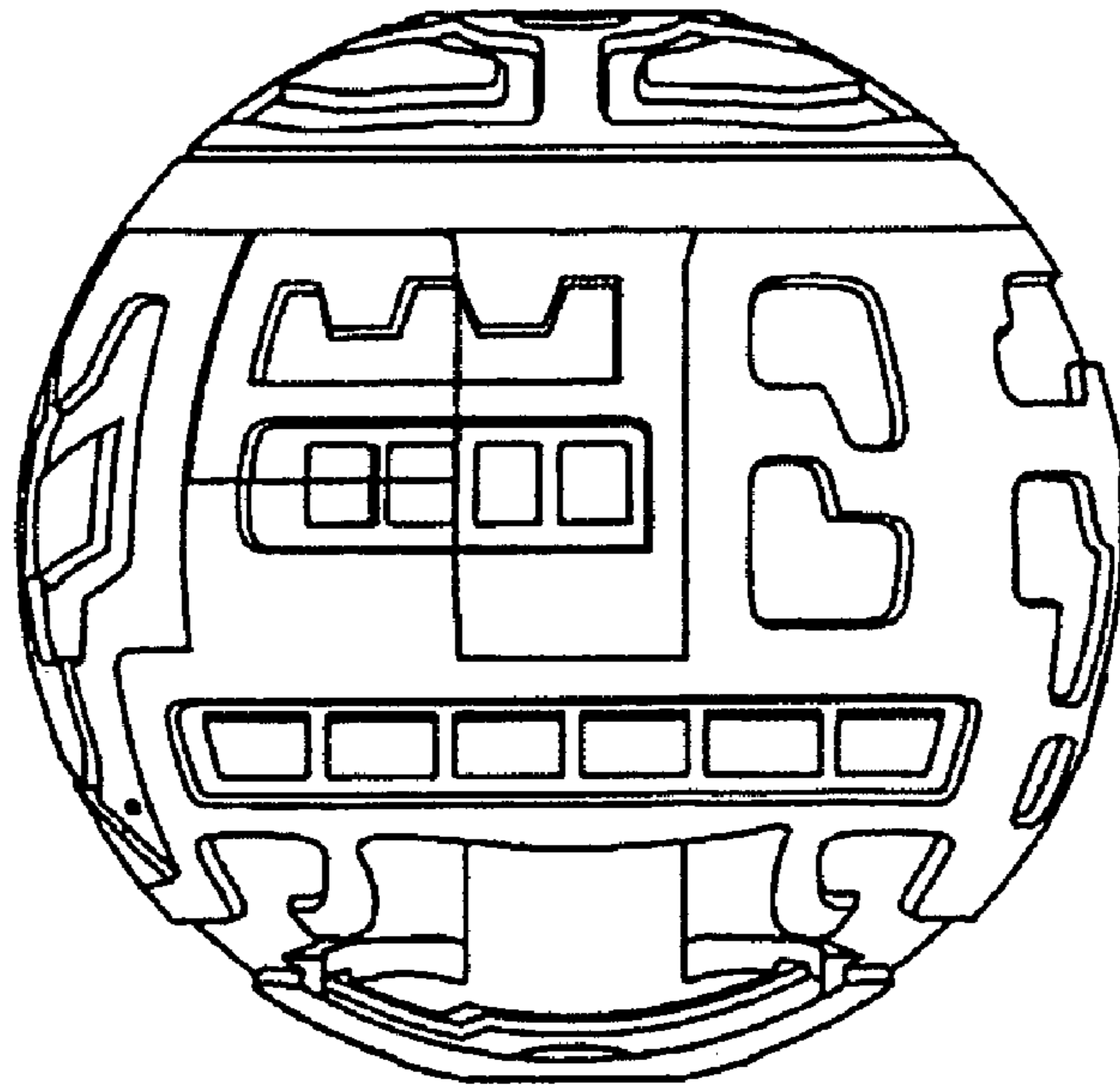


Fig.11

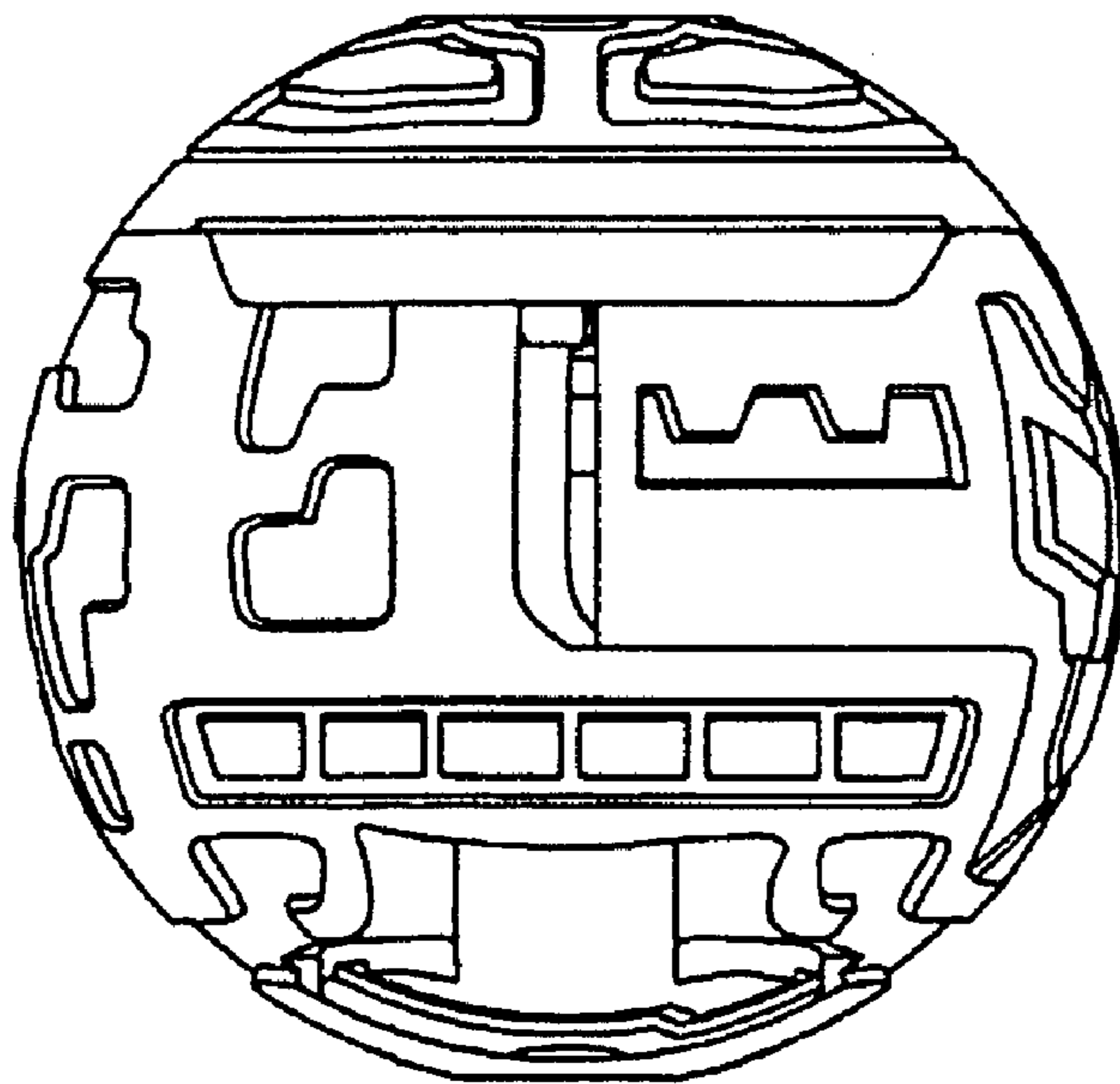


Fig.12