



US00D591801S

(12) **United States Design Patent**  
**Mak**

(10) **Patent No.:** **US D591,801 S**

(45) **Date of Patent:** **\*\* May 5, 2009**

(54) **TOY DRAWING BOARD**

(75) Inventor: **Kai-Shun Mak**, Kowloon (CN)

(73) Assignee: **Hop Lee Cheong Industrial Company Limited**, Kwai Chung, New Territories, Hong Kong (CN)

(\*\*) Term: **14 Years**

(21) Appl. No.: **29/308,516**

(22) Filed: **Jun. 20, 2008**

(30) **Foreign Application Priority Data**

Dec. 24, 2007 (HK) ..... 0703223

(51) **LOC (9) Cl.** ..... **21-01**

(52) **U.S. Cl.** ..... **D21/469**

(58) **Field of Classification Search** ..... D21/324,  
D21/329, 468, 469; D19/35, 36, 59, 60,  
D19/62, 64; 446/146, 484; 434/81, 85, 365,  
434/391, 393, 408-410, 415, 416, 422

See application file for complete search history.

(56) **References Cited**

**U.S. PATENT DOCUMENTS**

270,163 A \* 1/1883 Walsh ..... 434/415  
5,115,330 A \* 5/1992 Nobile et al. .... 349/12  
5,324,202 A \* 6/1994 Meyers et al. .... 434/410  
D359,984 S \* 7/1995 Mak ..... D19/52  
5,674,104 A \* 10/1997 Ohashi et al. .... 446/132

D405,480 S \* 2/1999 Yamazaki ..... D21/475  
D419,190 S \* 1/2000 Mak ..... D19/52  
D419,599 S \* 1/2000 Mak ..... D19/52  
6,042,478 A \* 3/2000 Ng ..... 463/44  
D467,971 S \* 12/2002 Mak ..... D19/52  
6,758,674 B2 \* 7/2004 Lee ..... 434/155  
D504,472 S \* 4/2005 Liu et al. .... D21/324  
7,252,510 B1 \* 8/2007 Basu et al. .... 434/169

\* cited by examiner

*Primary Examiner*—Catherine Tuttle

(74) *Attorney, Agent, or Firm*—Alix, Yale & Ristas, LLP

(57) **CLAIM**

The ornamental design for a toy drawing board, as shown and described.

**DESCRIPTION**

FIG. 1 is a front elevational view of a toy drawing board showing my new design;

FIG. 2 is a rear view thereof;

FIG. 3 is a left side elevational view thereof;

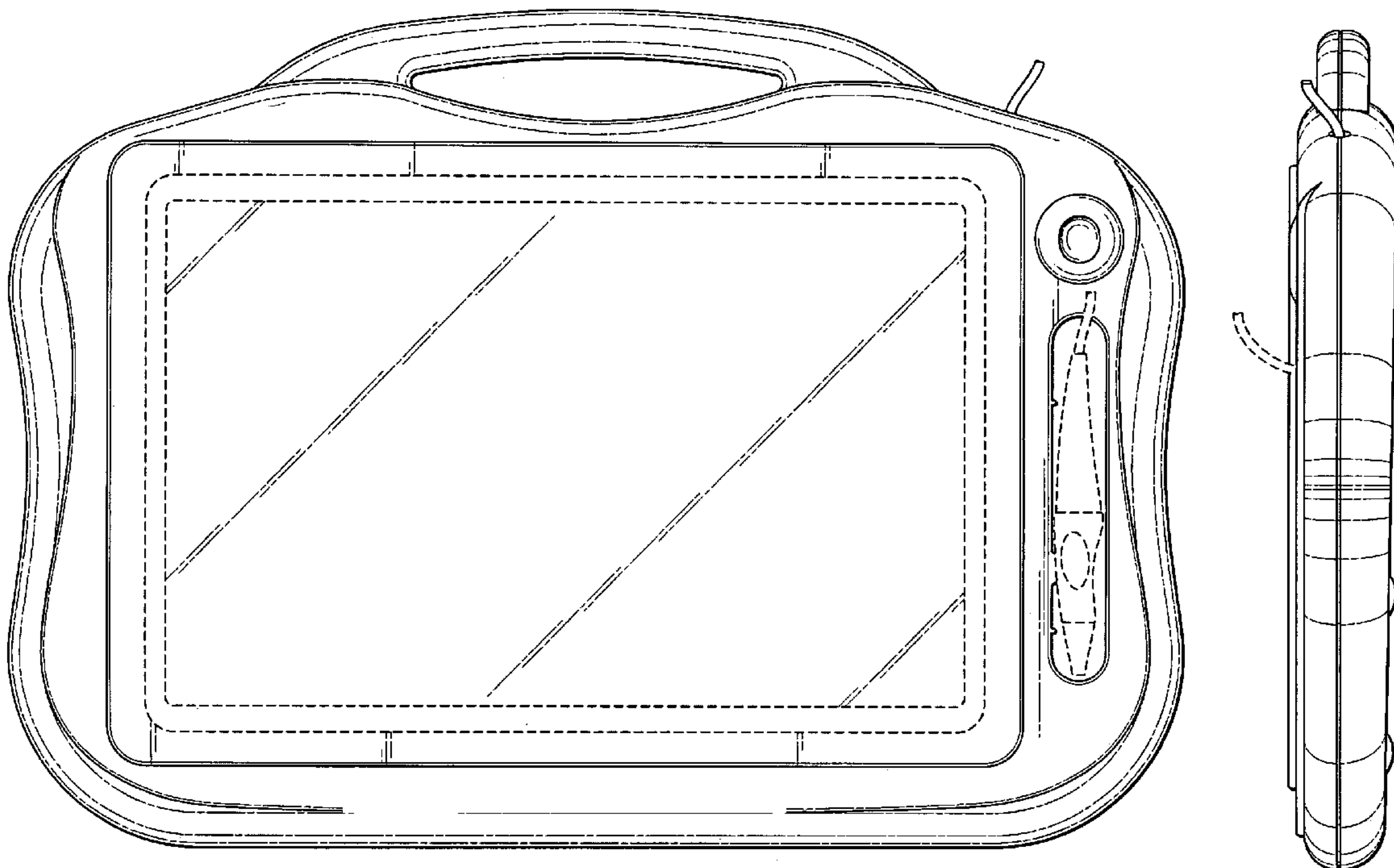
FIG. 4 is a right side elevational view thereof;

FIG. 5 is a top plan view thereof; and,

FIG. 6 is a bottom plan view thereof.

The broken lines are included for the purpose of illustrating portions of the toy drawing board that form no part of the claimed design.

**1 Claim, 4 Drawing Sheets**



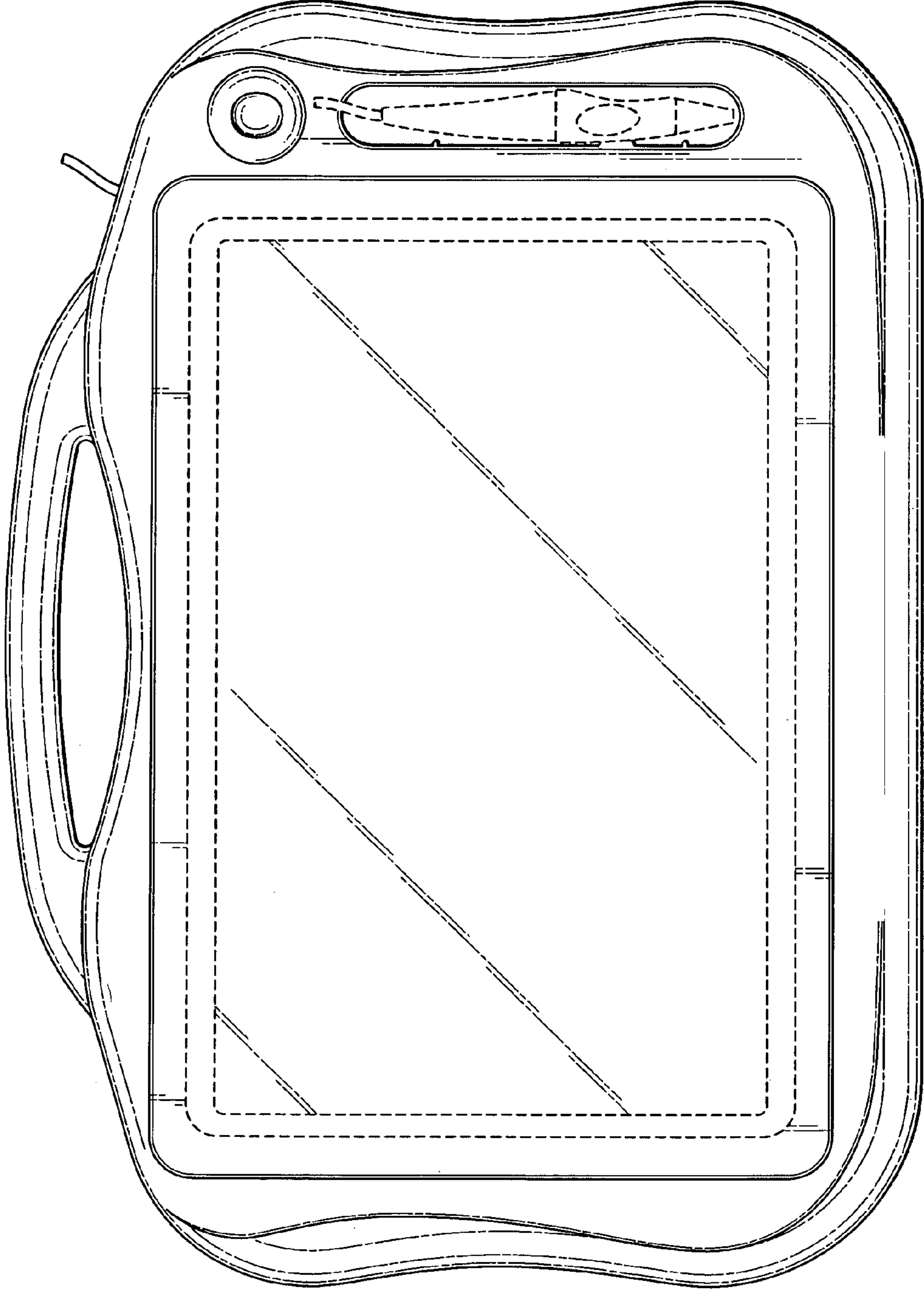


FIG. 1

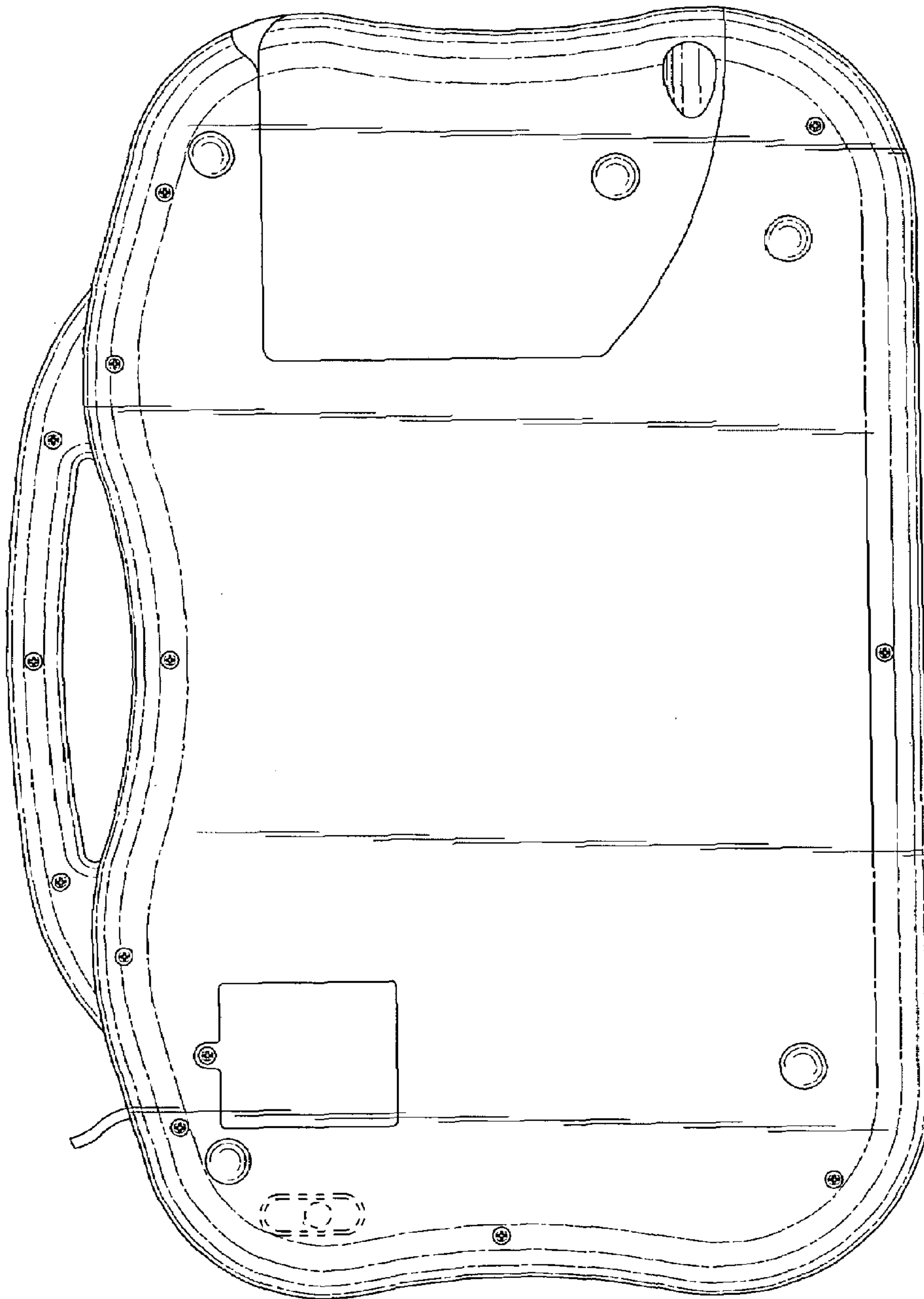


FIG. 2

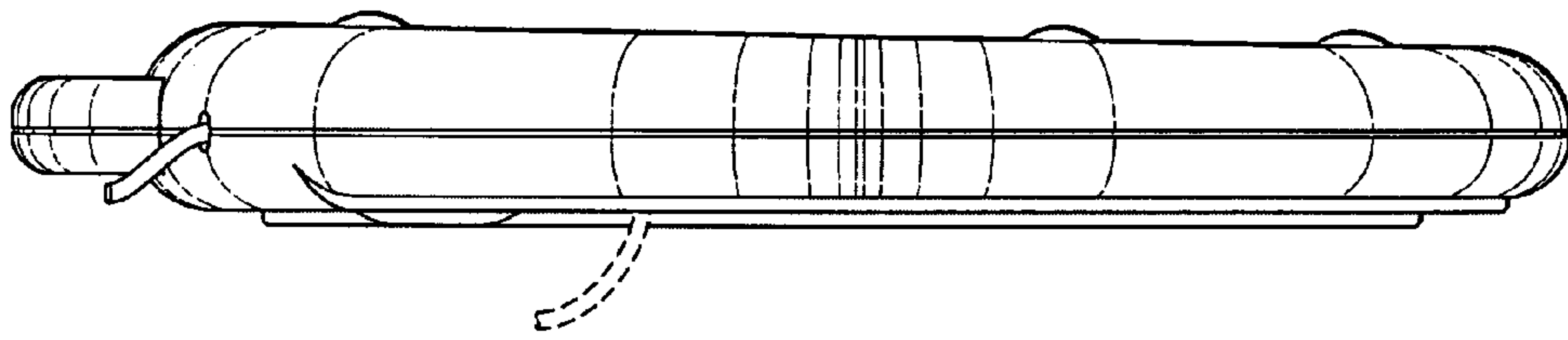


FIG. 4

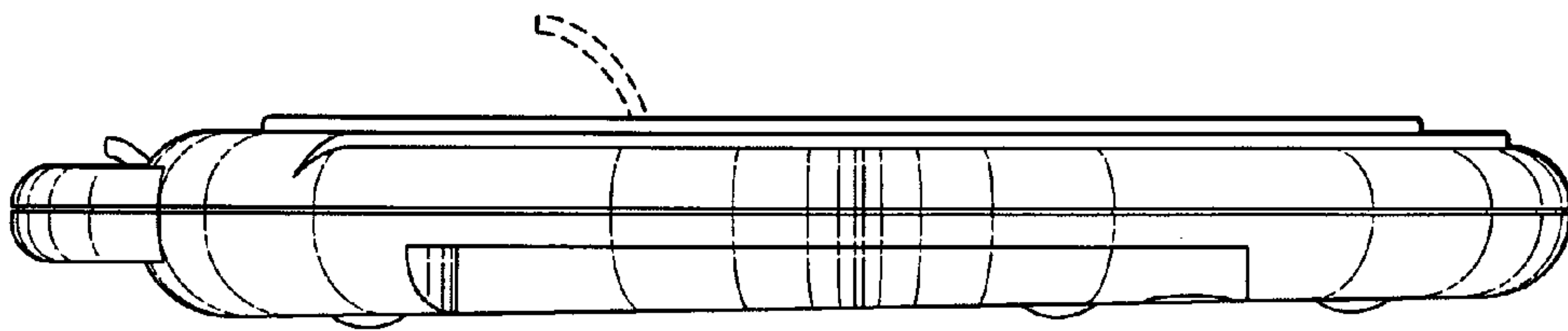


FIG. 3

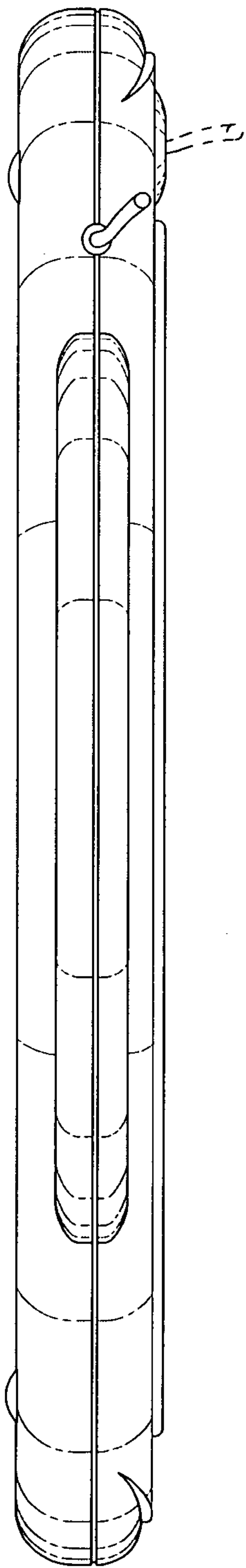


FIG. 5

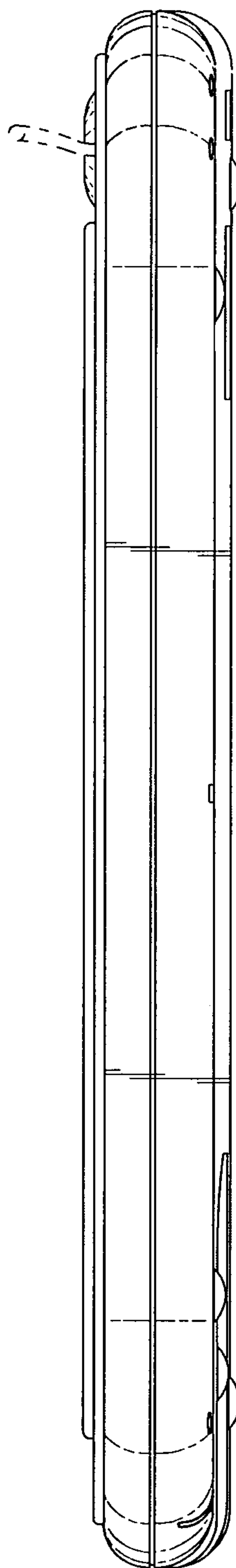


FIG. 6