



US00D591800S

(12) **United States Design Patent**  
**Hsu**

(10) **Patent No.:** **US D591,800 S**

(45) **Date of Patent:** **\*\* May 5, 2009**

(54) **ROUND CABINET**

(76) Inventor: **Tien Shu Hsu**, 5F-8, No. 210, Gungye  
38 Rd, Shituen Chiu, Taichung City  
(TW)

(\*\*) Term: **14 Years**

(21) Appl. No.: **29/299,801**

(22) Filed: **Jan. 4, 2008**

(51) **LOC (9) Cl.** ..... **21-03**

(52) **U.S. Cl.** ..... **D21/375; D21/369**

(58) **Field of Classification Search** ..... D21/325,  
D21/329, 369-370, 374-275, 385; 463/12,  
463/16-17, 20, 25, 46-47; 273/268, 274  
See application file for complete search history.

(56) **References Cited**

U.S. PATENT DOCUMENTS

D439,282 S *	3/2001	Yamaguchi	.....	D21/329
D458,310 S *	6/2002	Lynch	.....	D21/369
D523,093 S *	6/2006	Kaminkow et al.	.....	D21/369
D548,800 S *	8/2007	Kaminkow et al.	.....	D21/369
D548,801 S *	8/2007	Groswirt	.....	D21/369

\* cited by examiner

*Primary Examiner*—Sandra Morris

(74) *Attorney, Agent, or Firm*—Ming Chow; Sinorica, LLC

(57) **CLAIM**

I claim the ornamental design for a round cabinet, as shown and described.

**DESCRIPTION**

FIG. 1 is a front perspective view of a round cabinet showing my new design;

FIG. 2 is a front elevational view thereof;

FIG. 3 is a rear elevational view thereof;

FIG. 4 is a left side elevational view thereof;

FIG. 5 is a right side elevational view thereof;

FIG. 6 is a top plan view thereof;

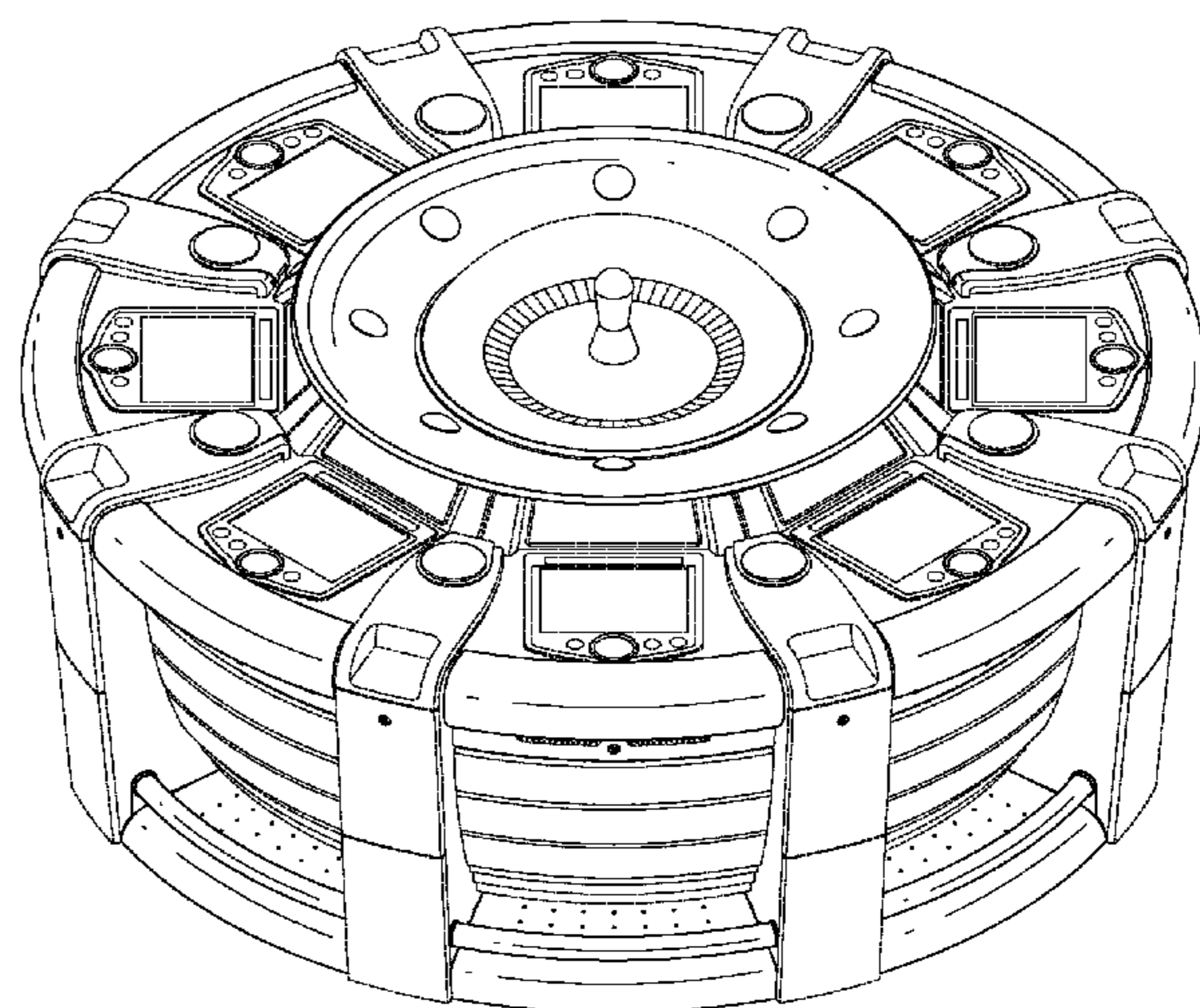
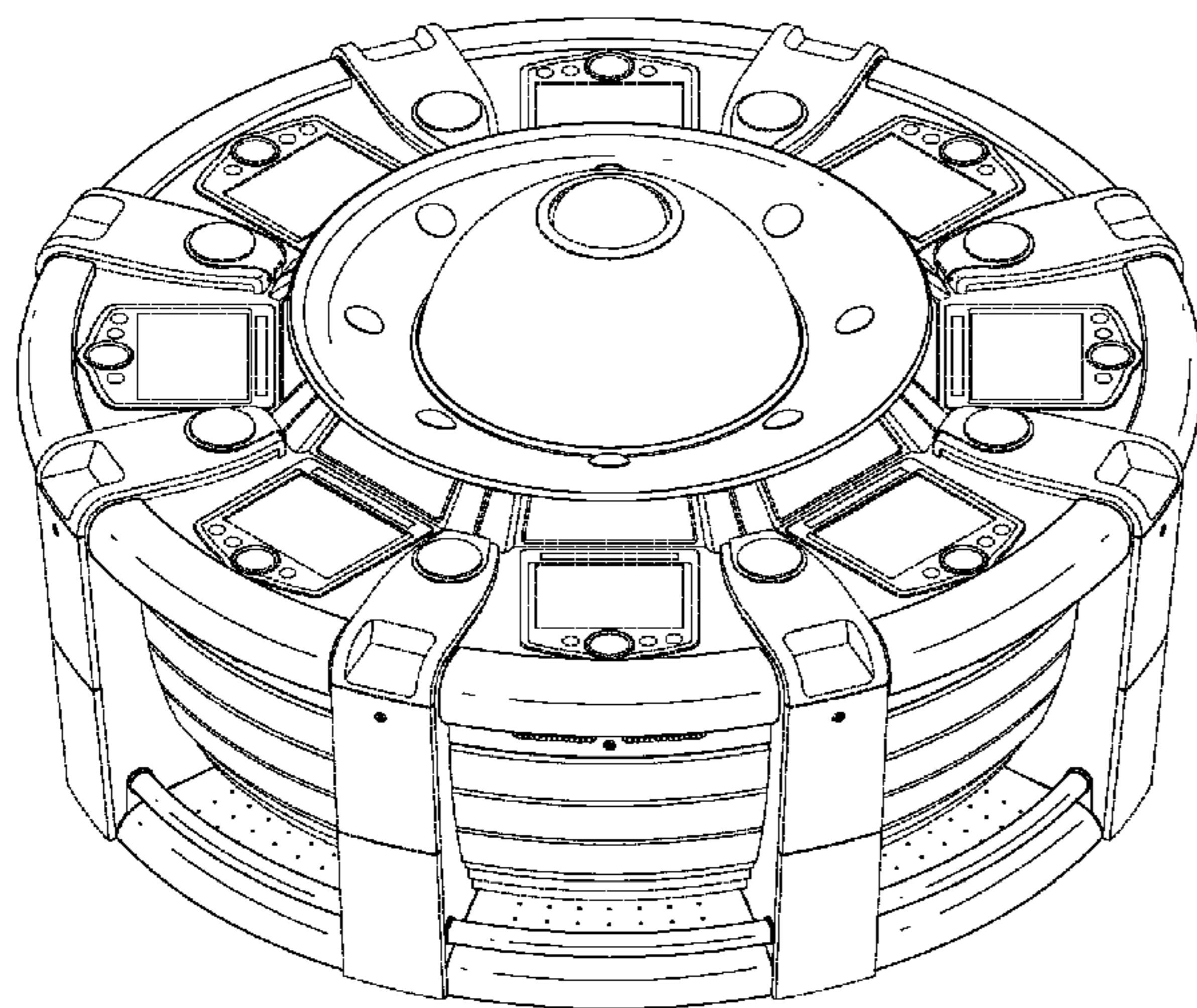
FIG. 7 is a bottom plan view thereof; and

FIG. 8 is a front perspective view of the round cabinet, showing a second embodiment thereof; and,

FIG. 9 is a front perspective view of the round cabinet, showing a third embodiment thereof.

The broken lines in the views show environmental features, which are for illustrative purposes only and form no part of the claimed design.

**1 Claim, 7 Drawing Sheets**



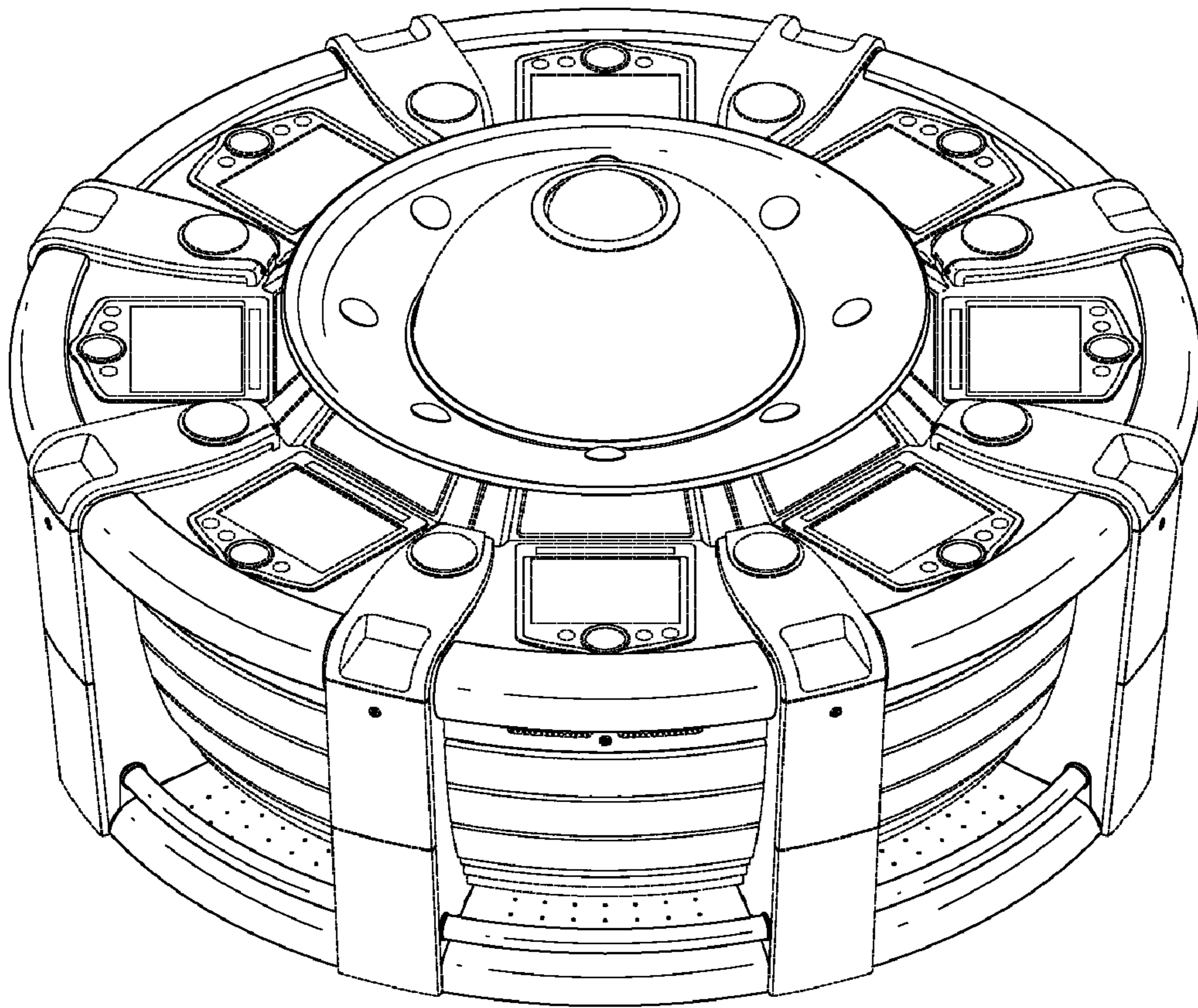


FIG. 1

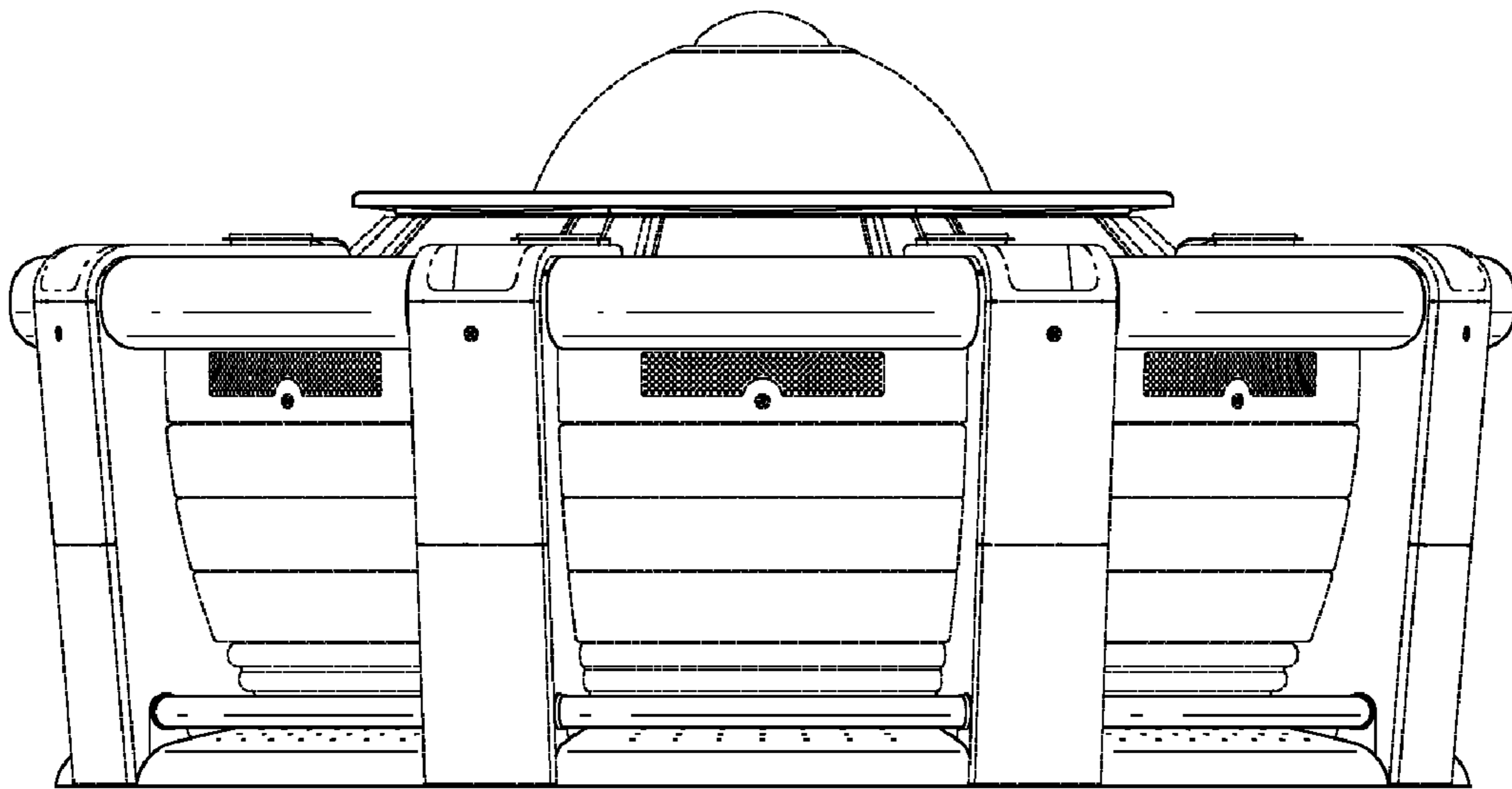


FIG. 2

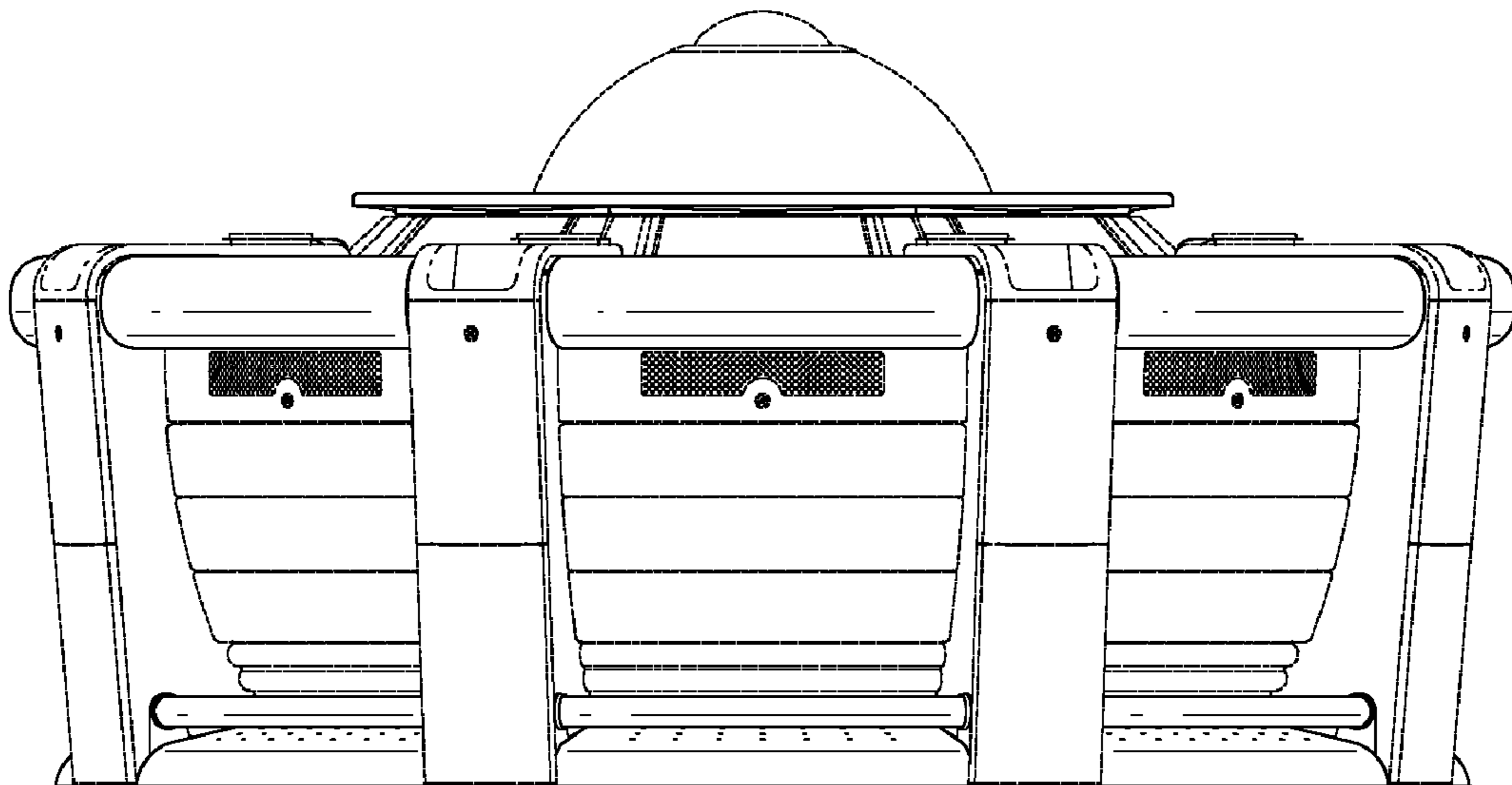


FIG. 3

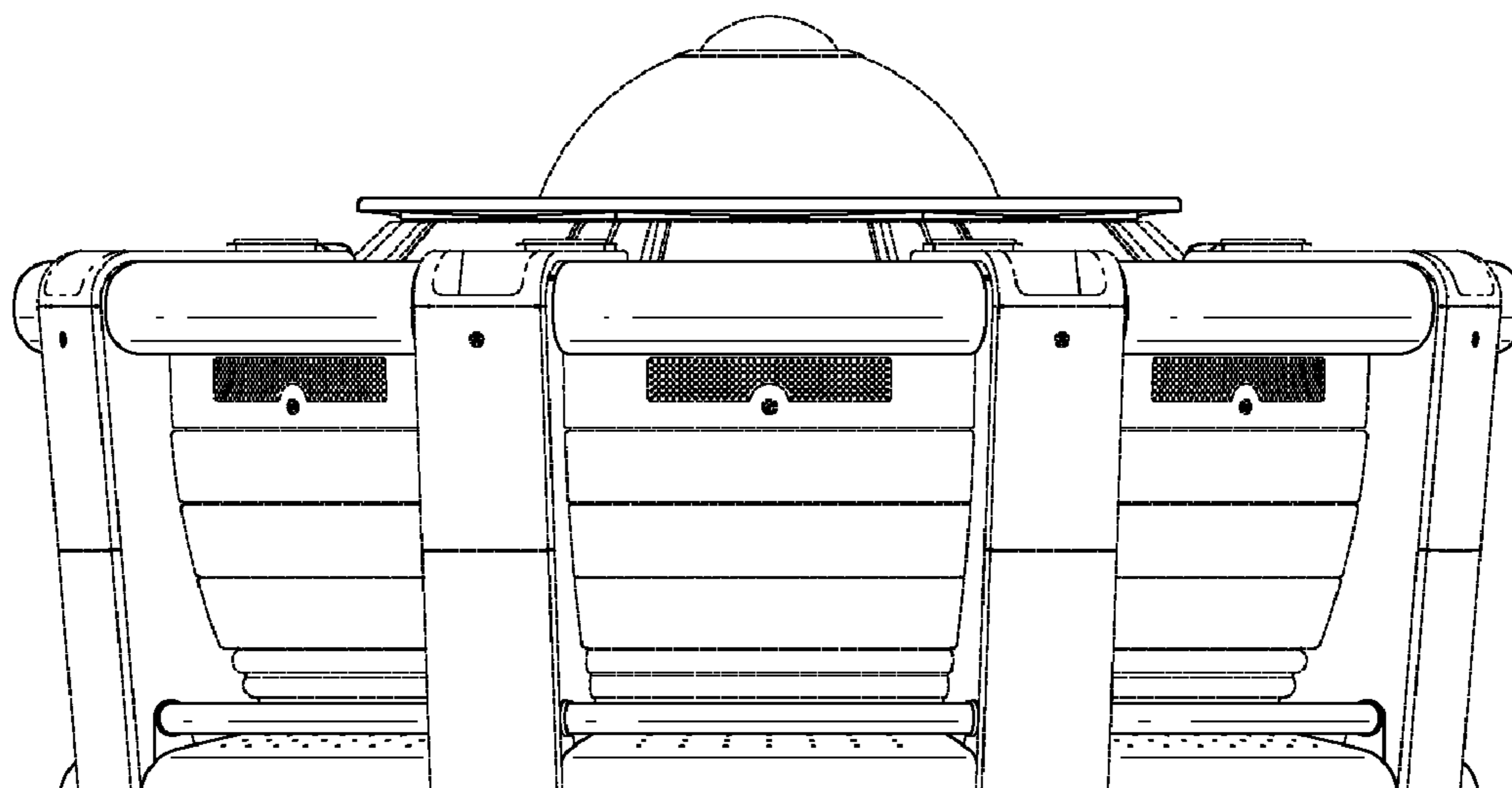


FIG. 4

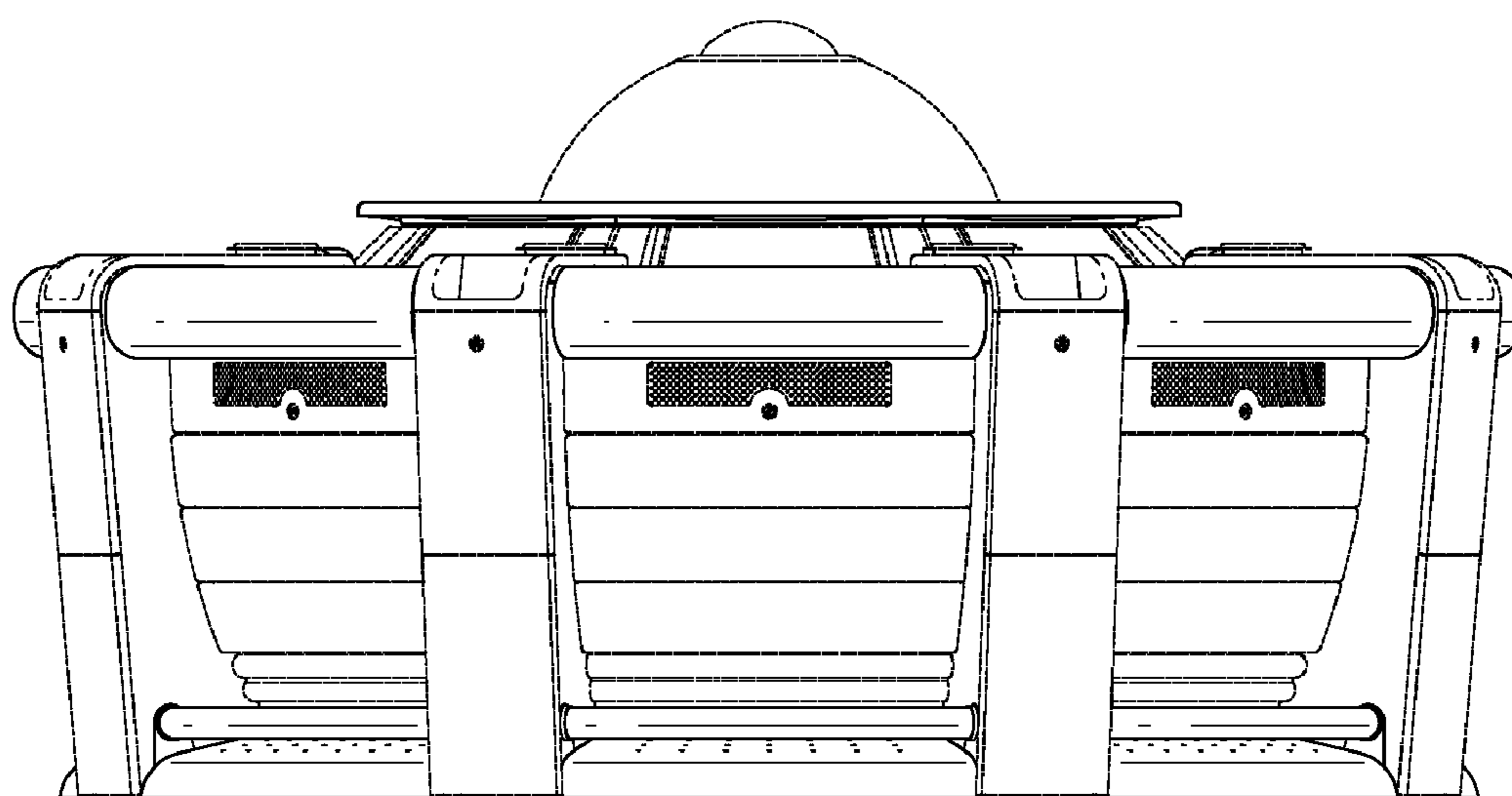


FIG. 5

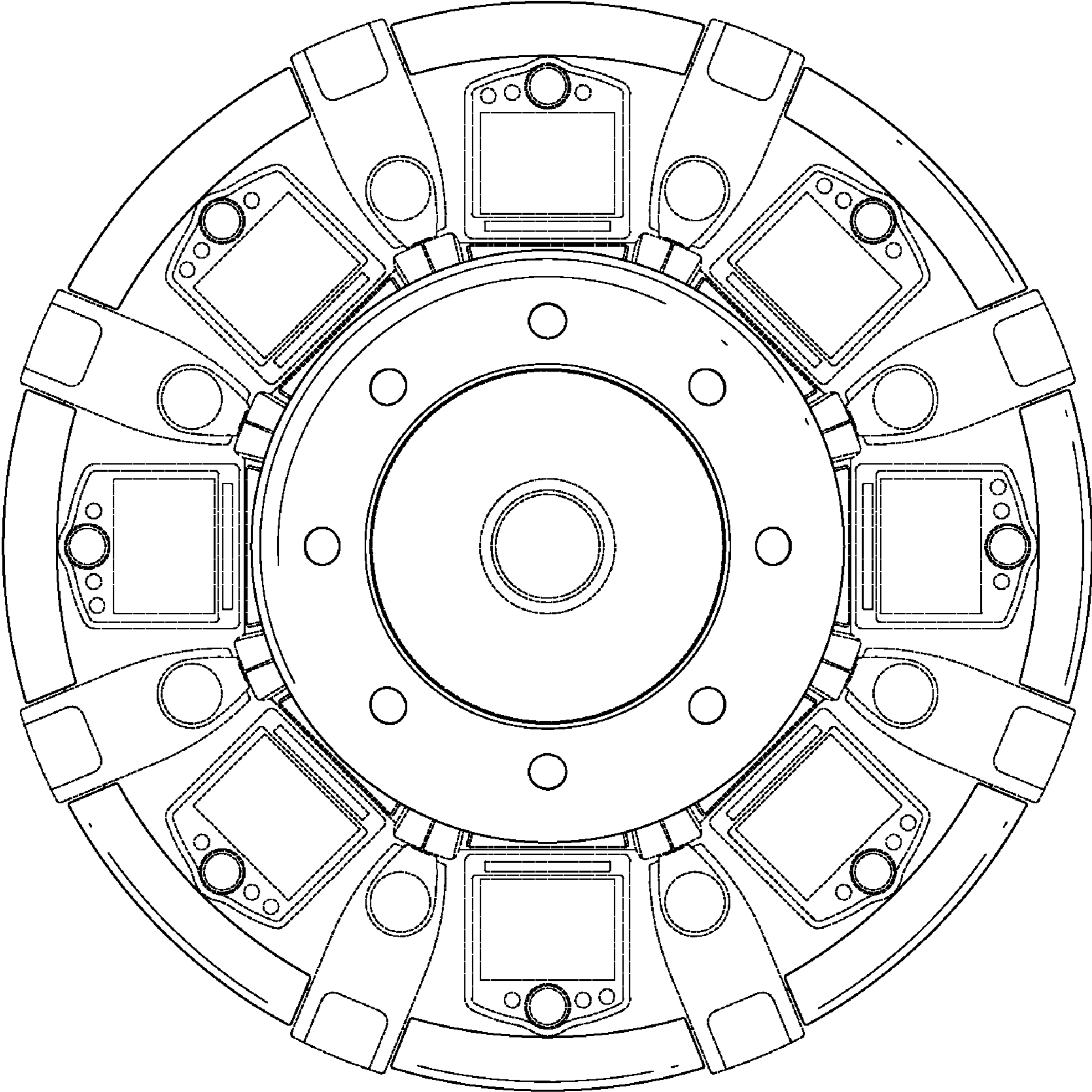


FIG. 6

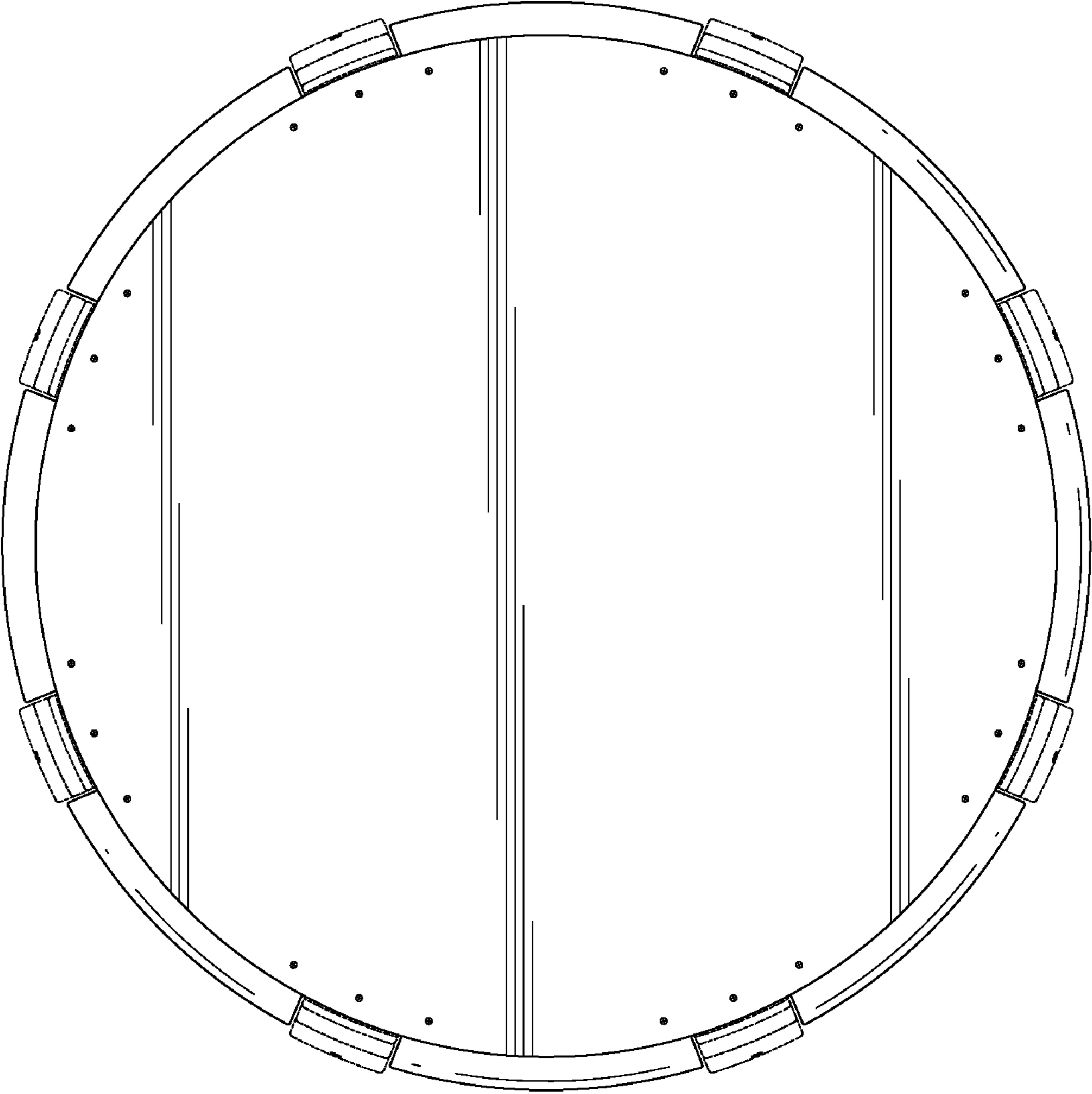


FIG. 7

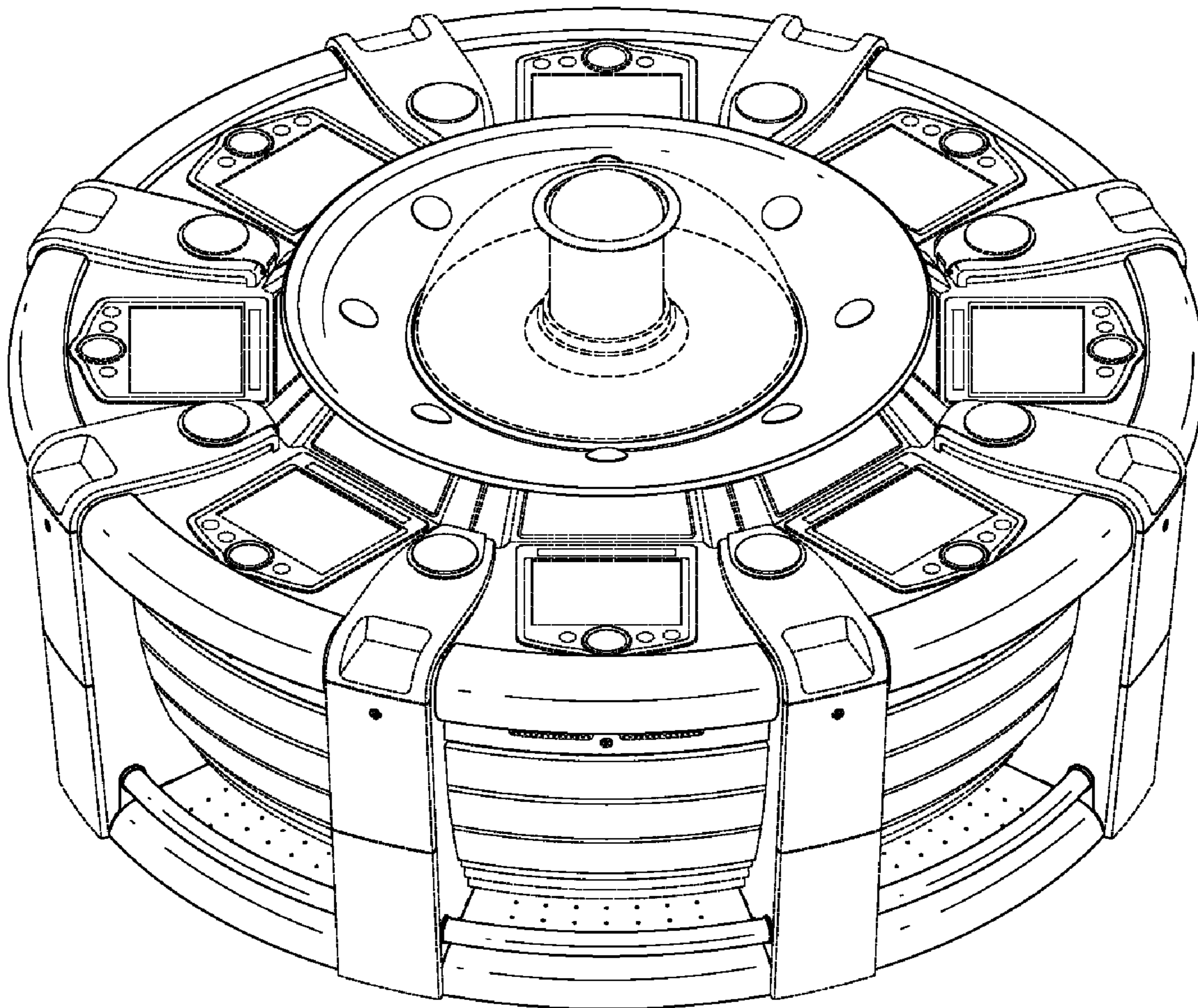


FIG. 8

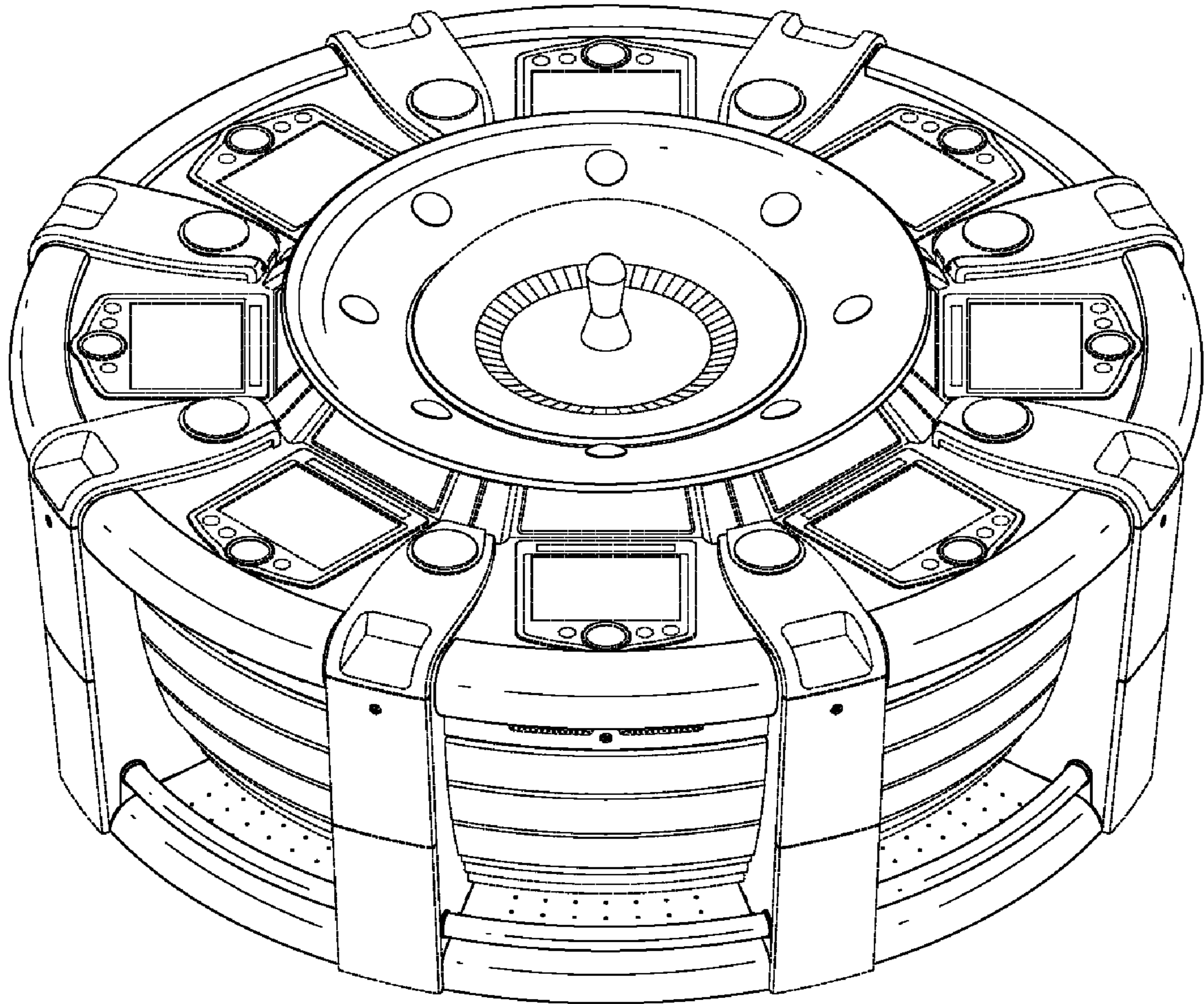


FIG. 9