

US00D591799S

(12) **United States Design Patent**
Yang

(10) **Patent No.:** **US D591,799 S**

(45) **Date of Patent:** **** May 5, 2009**

(54) **MULTI-SCREEN GAMING MACHINE**

D554,708 S * 11/2007 Gutknecht et al. D21/370
D557,349 S * 12/2007 Linard et al. D21/370
D566,702 S * 4/2008 Malone et al. D14/307

(75) Inventor: **Arden Yang**, Rosemead, CA (US)

* cited by examiner

(73) Assignee: **Astro Corp.** (TW)

Primary Examiner—Sandra Morris

(**) Term: **14 Years**

(74) *Attorney, Agent, or Firm*—Locke Lord Bissell & Liddell LLP

(21) Appl. No.: **29/294,874**

(22) Filed: **Jan. 30, 2008**

(57) **CLAIM**

(30) **Foreign Application Priority Data**

The ornamental design for multi-screen gaming machine, as shown and described.

Aug. 2, 2007 (TW) 96304222

DESCRIPTION

(51) **LOC (9) Cl.** **21-03**

FIG. 1 is a perspective view of multi-screen gaming machine showing my new design;

(52) **U.S. Cl.** **D21/369; D21/329; D14/307**

FIG. 2 is a front elevational view thereof;

(58) **Field of Classification Search** D14/306,
D14/307; D21/325, 329, 333, 369–370,
D21/385; 463/12, 16–17, 20, 25, 29, 40,
463/46–47

FIG. 3 is a rear elevational view thereof;

See application file for complete search history.

FIG. 4 is a left side elevational view thereof;

FIG. 5 is a right side elevational view thereof;

(56) **References Cited**

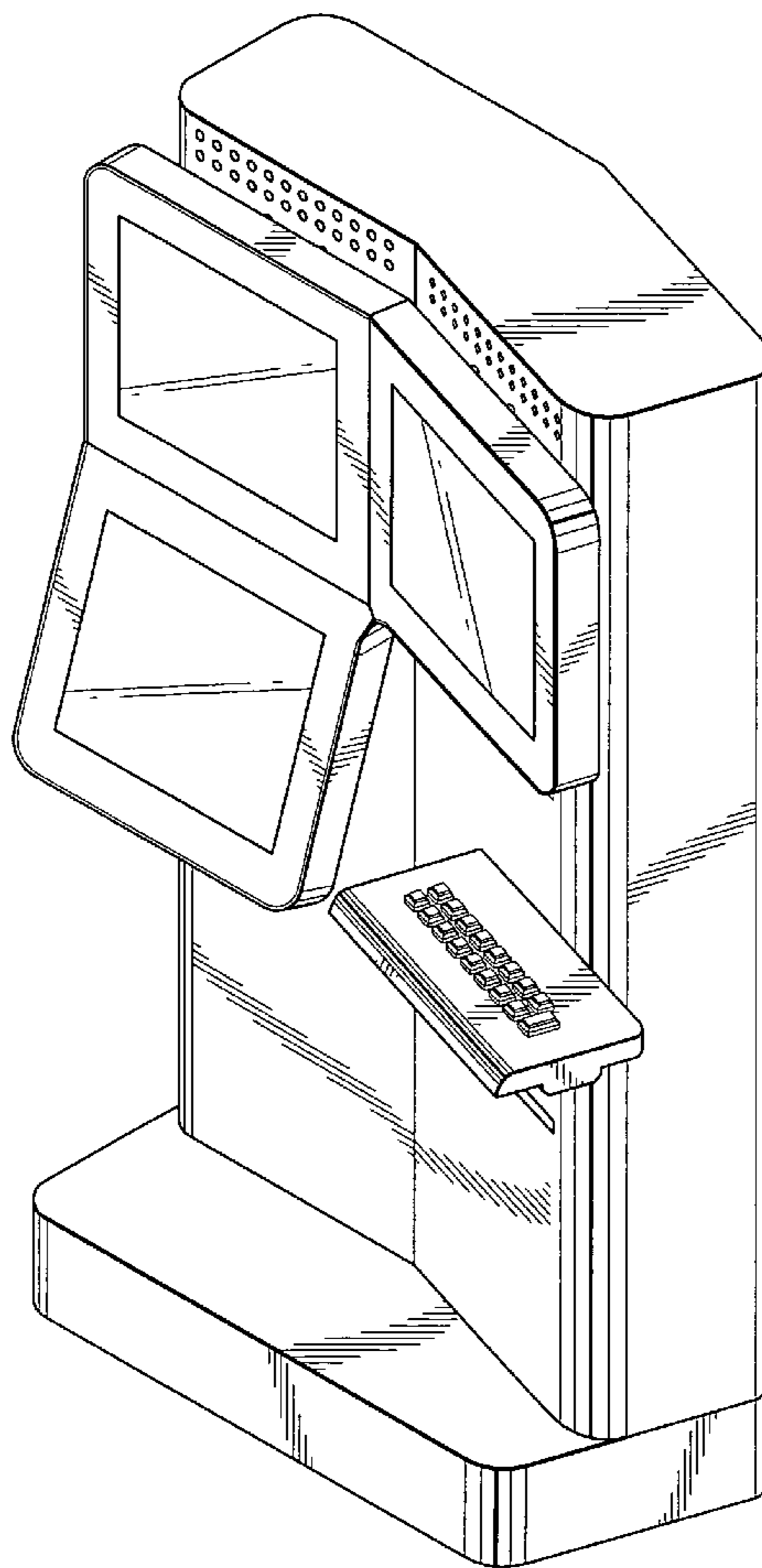
FIG. 6 is a top plan view thereof; and,

FIG. 7 is a bottom plan view thereof.

U.S. PATENT DOCUMENTS

D305,686 S * 1/1990 Fischer D14/306

1 Claim, 6 Drawing Sheets



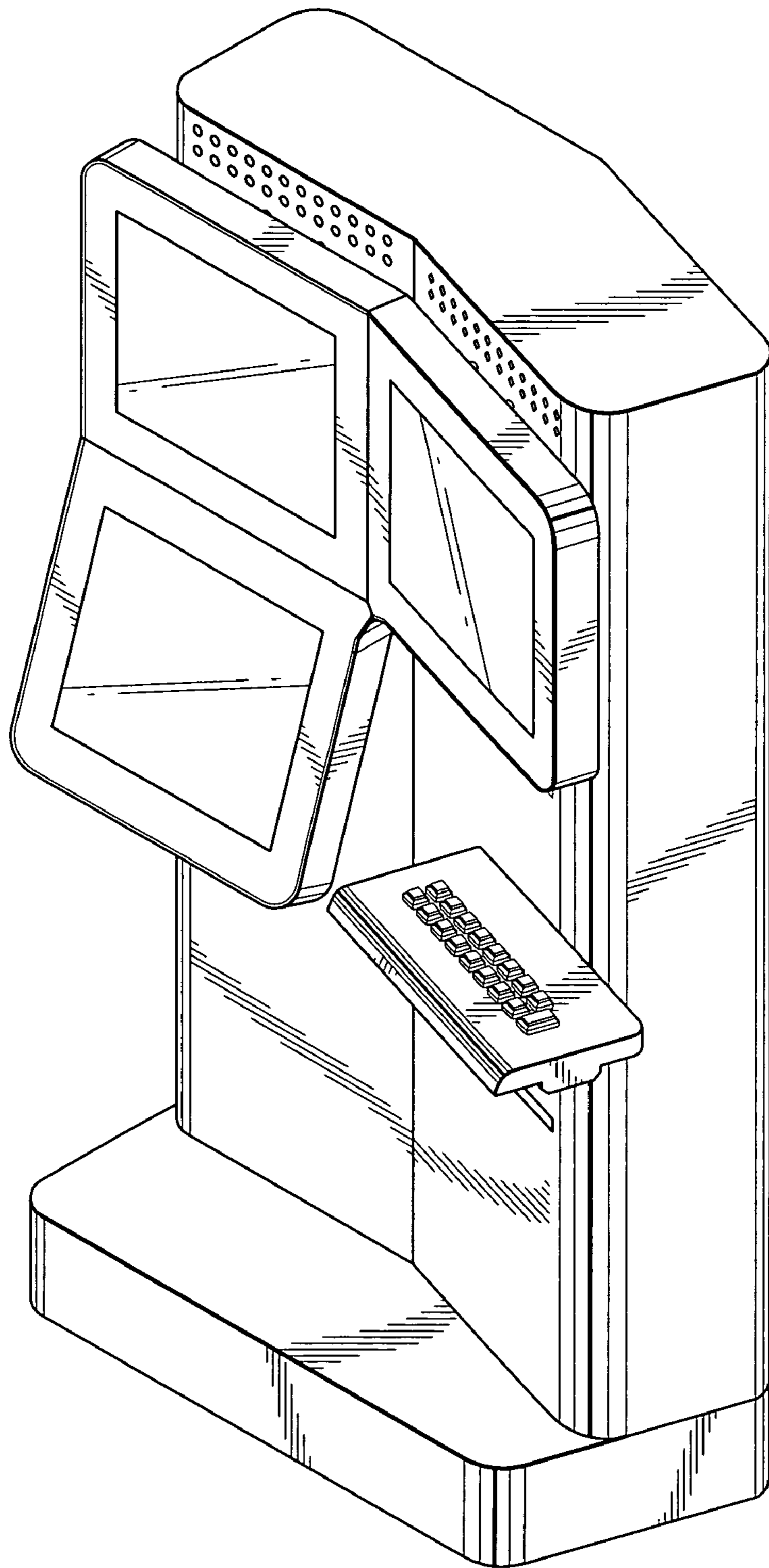


FIG. 1

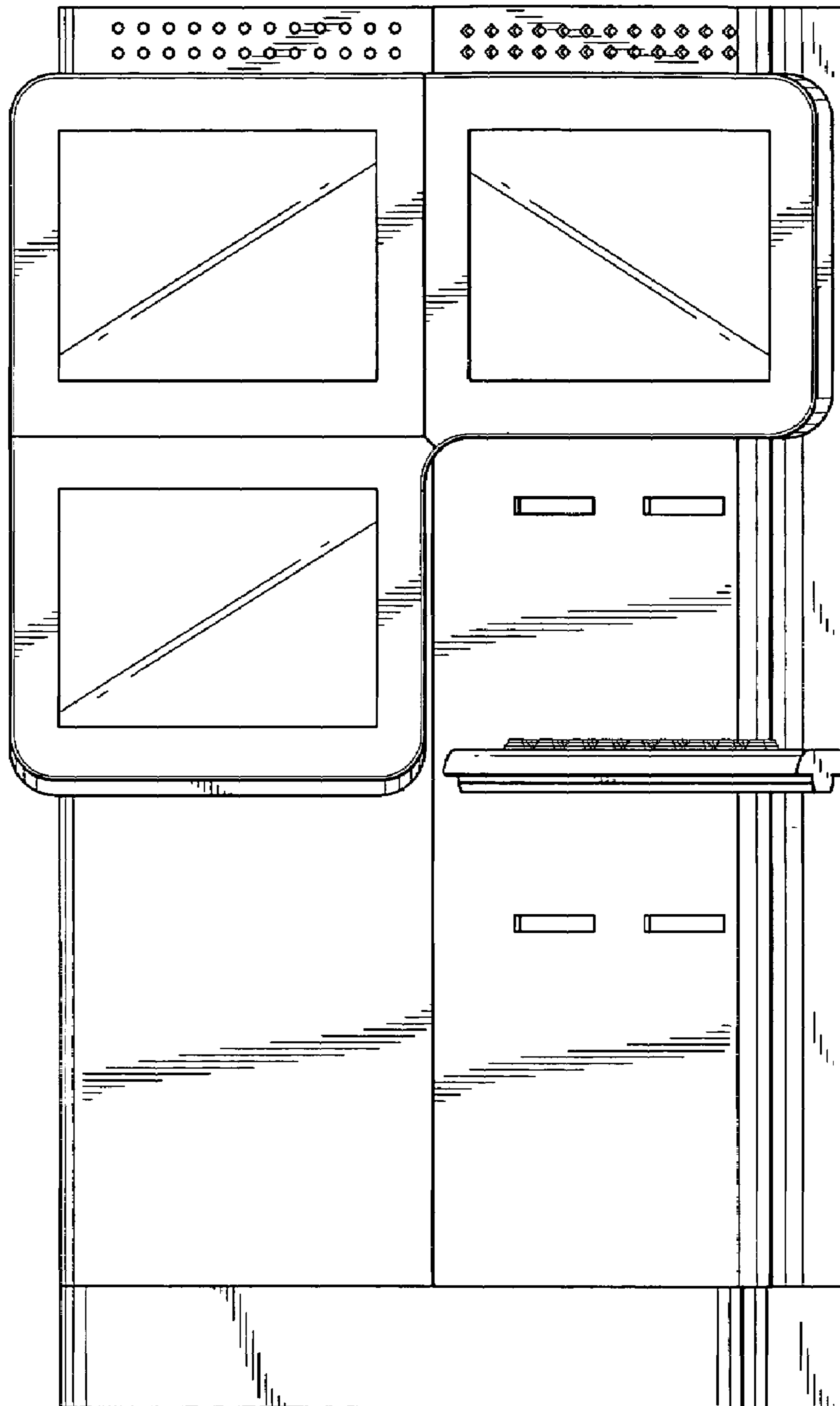


FIG. 2

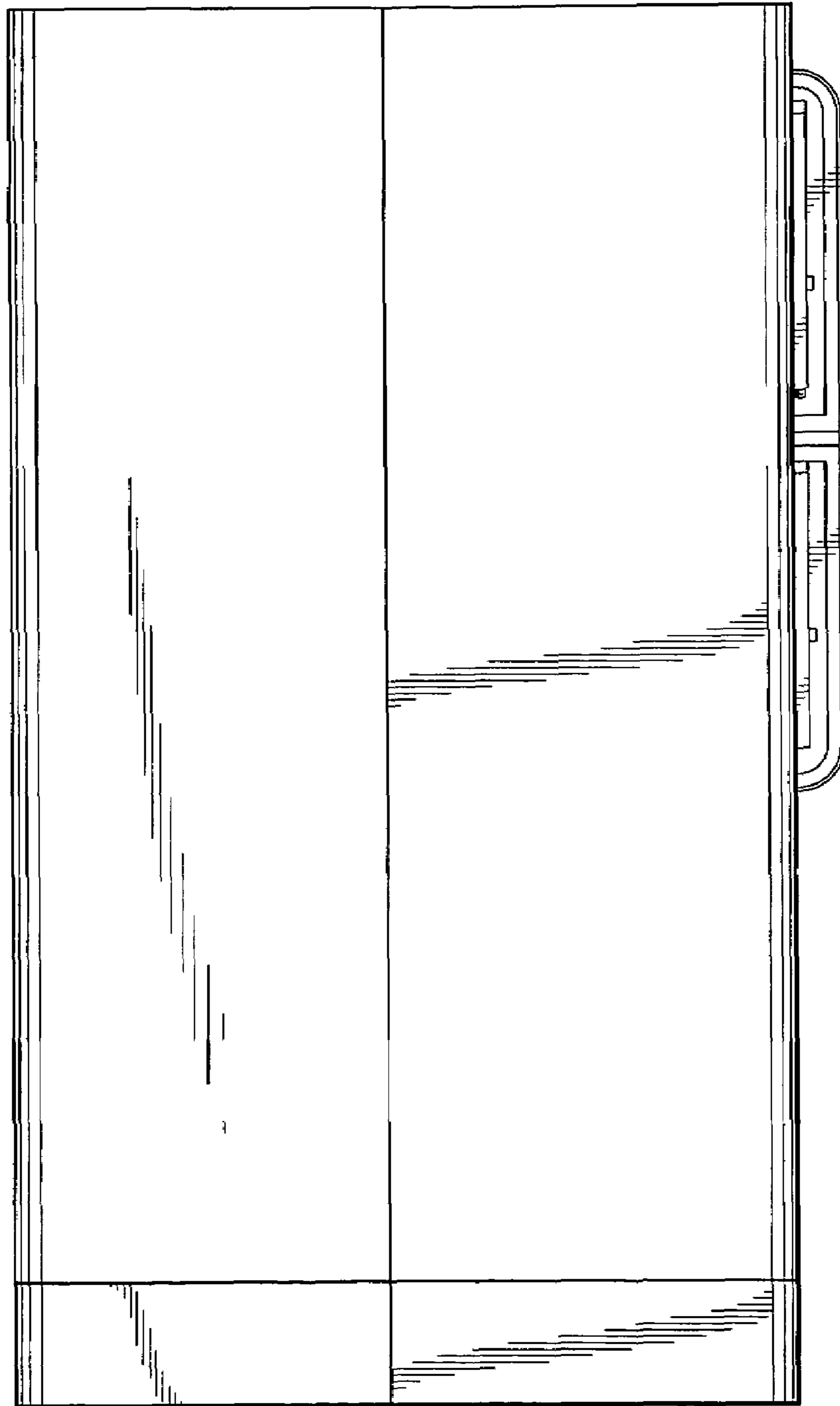


FIG. 3

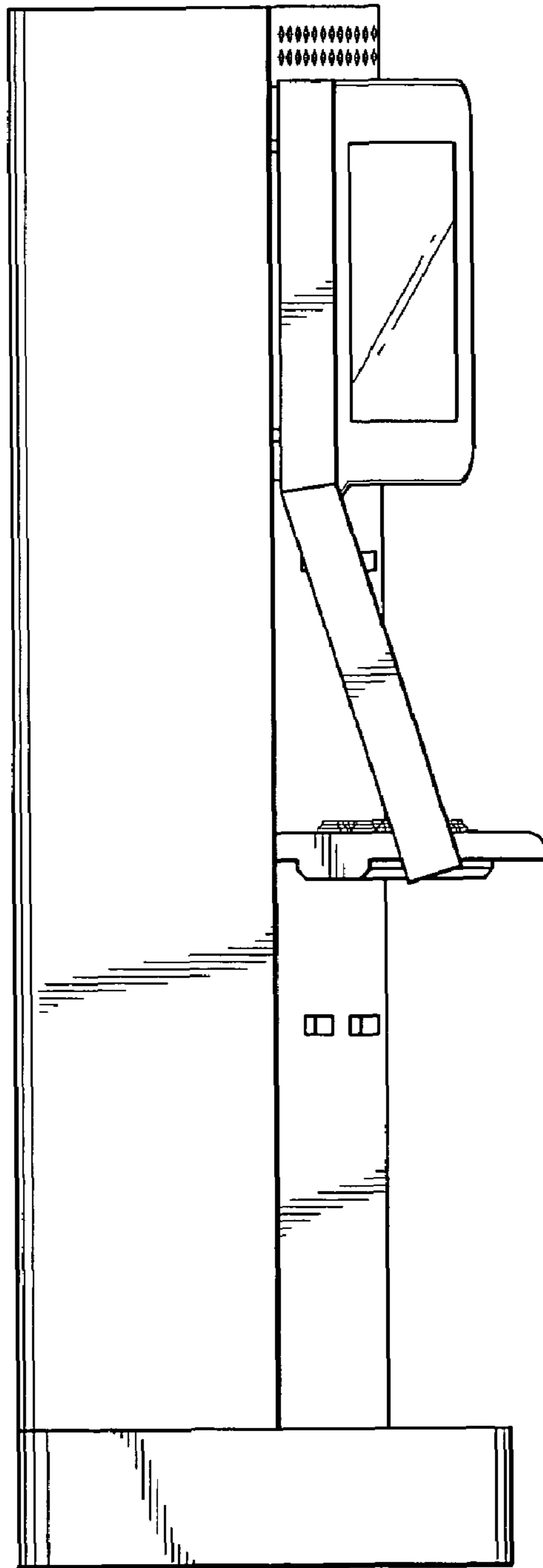


FIG. 4

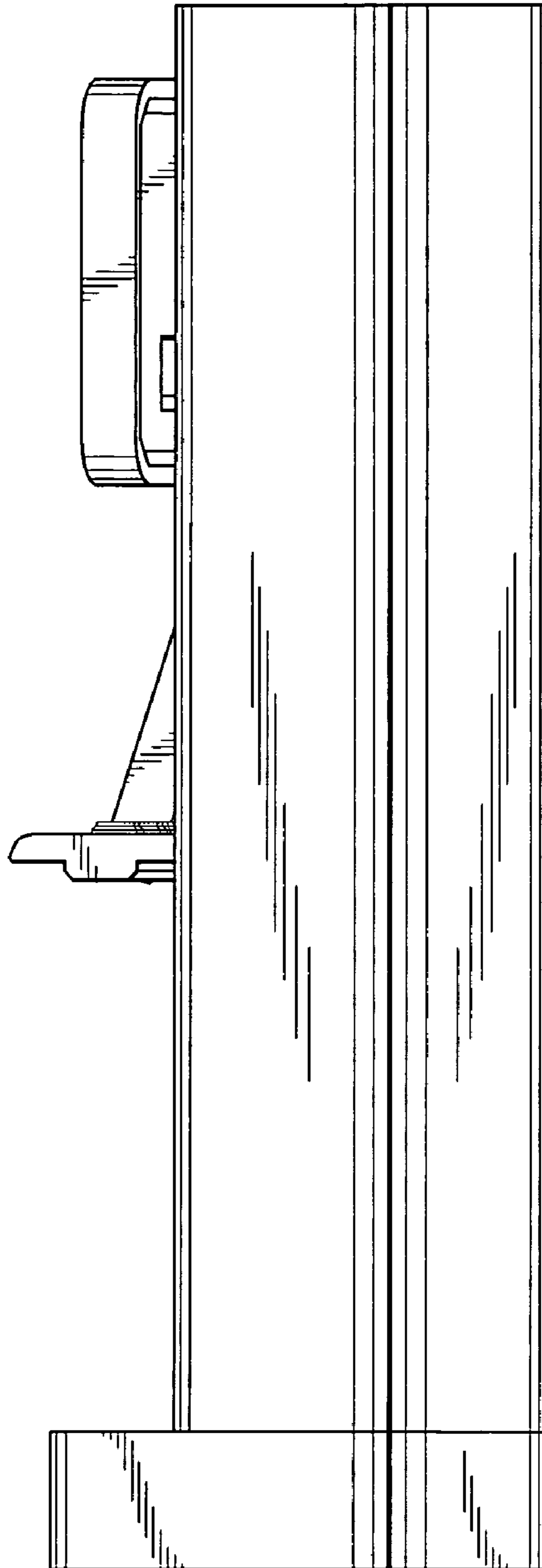


FIG. 5

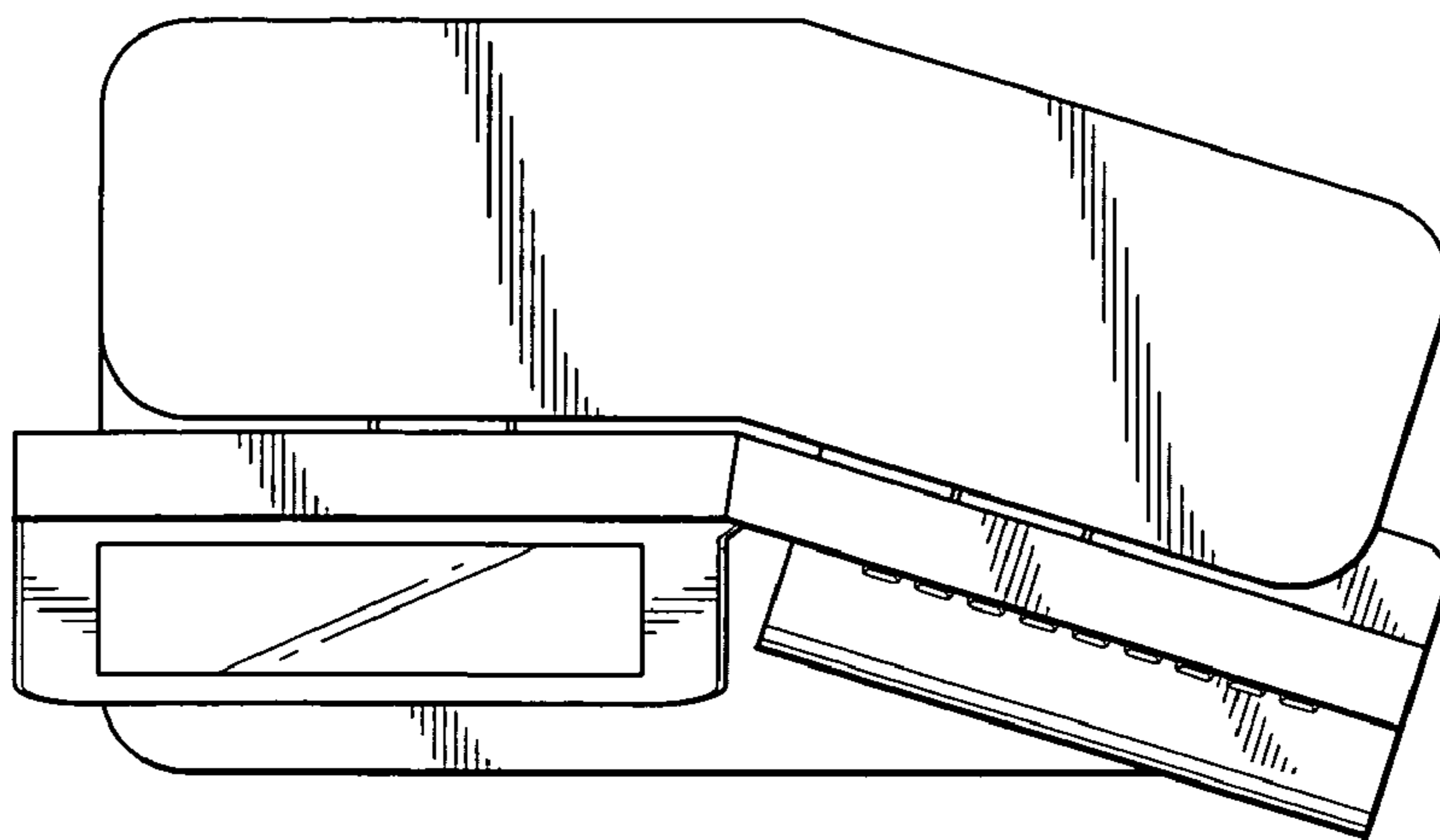


FIG. 6

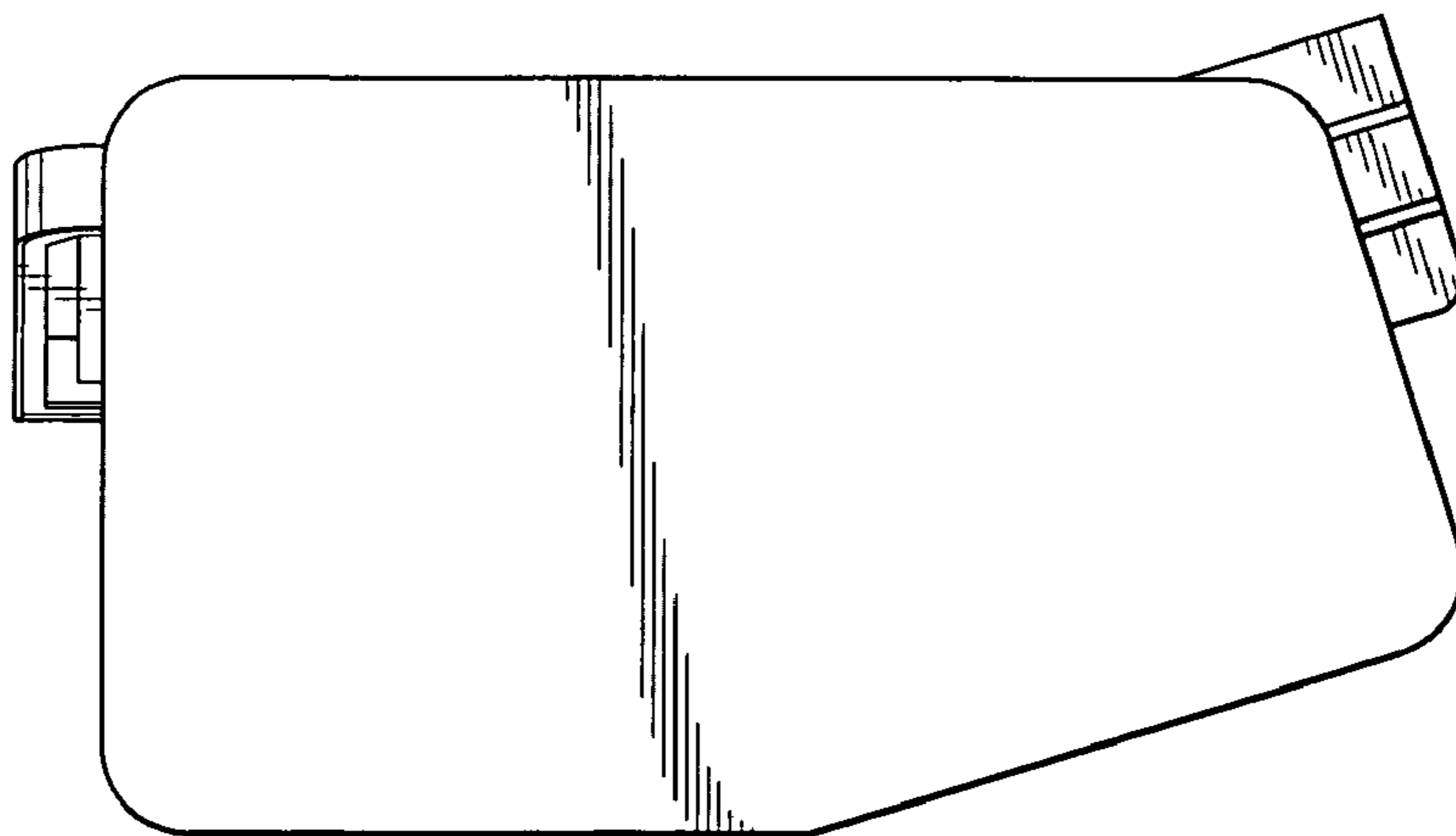


FIG. 7