



US00D591796S

(12) **United States Design Patent**  
**Abro**

(10) **Patent No.:** **US D591,796 S**

(45) **Date of Patent:** **\*\* May 5, 2009**

(54) **ADVERTISING SLEEVE FOR A GATE ARM**

(76) **Inventor:** **Leslie S. Abro**, 3100 Bayview Avenue,  
Unit #3, Toronto (CA) M2N 5L3

(\*\*) **Term:** **14 Years**

(21) **Appl. No.:** **29/272,812**

(22) **Filed:** **Feb. 20, 2007**

(51) **LOC (9) Cl.** ..... **20-02**

(52) **U.S. Cl.** ..... **D20/41**

(58) **Field of Classification Search** ..... D20/10,  
D20/17, 21, 22, 40-43, 99; 40/299.01, 309,  
40/316, 321, 514, 607.12; 16/435; 49/46,  
49/47; 280/33.992; 283/56; 428/34.9  
See application file for complete search history.

(56) **References Cited**

**U.S. PATENT DOCUMENTS**

1,712,380	A *	5/1929	De Courten	Othmar et al.	40/321
4,461,793	A *	7/1984	Blok et al.		428/34.9
5,212,898	A *	5/1993	Dinan et al.		40/607.12
D416,050	S *	11/1999	Caloia et al.		D20/22
D417,894	S *	12/1999	Herbst		D20/41
6,065,764	A *	5/2000	Moseley		280/33.992
D428,932	S *	8/2000	Caloia et al.		D20/22
6,170,182	B1 *	1/2001	Skypala		40/514
D474,245	S *	5/2003	Abro		D20/41
6,651,362	B2 *	11/2003	Caveney		40/316
6,817,066	B1 *	11/2004	Williams et al.		16/435
7,096,625	B1 *	8/2006	Hering		49/46
D556,265	S *	11/2007	Cuzzocrea		D20/40

*Primary Examiner*—Janice E Seeger

*Assistant Examiner*—Mary Ann Calabrese

(74) *Attorney, Agent, or Firm*—Sim & McBurney

(57) **CLAIM**

The ornamental design for an advertising sleeve for a gate arm, as shown and described.

**DESCRIPTION**

FIG. 1 is a perspective view of the advertising sleeve for a gate arm showing my new design;

FIG. 2 is an end elevational view thereof;

FIG. 3 is a front elevational view thereof;

FIG. 4 is a top plan view thereof;

FIG. 5 is a rear elevational view thereof;

FIG. 6 is a bottom plan view thereof;

FIG. 7 is a front elevational view thereof on a gate arm;

FIG. 8 is a perspective view of still yet another embodiment of the advertising sleeve for a gate arm showing my new design.

FIG. 9 is an end elevational view thereof;

FIG. 10 is a front elevational view thereof;

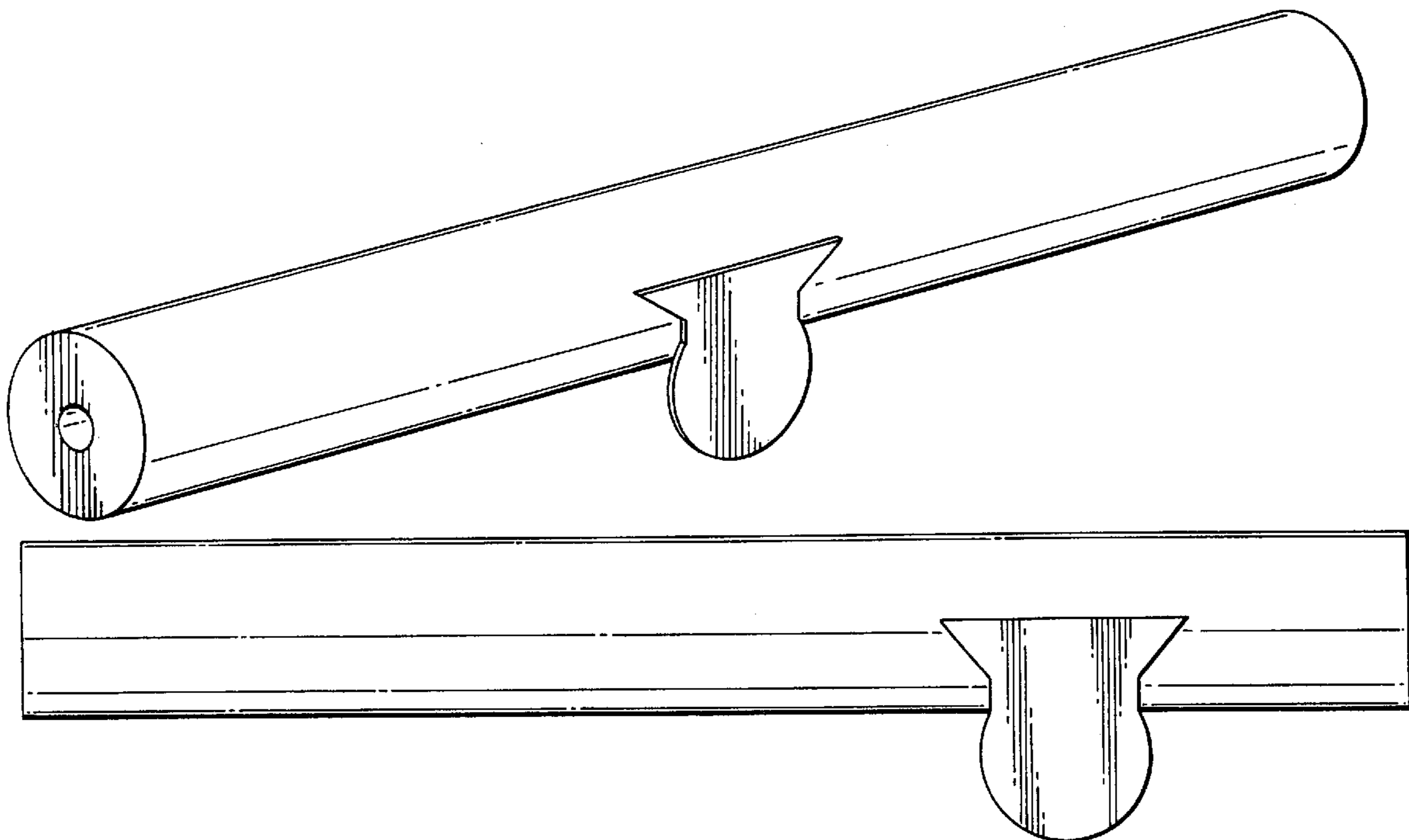
FIG. 11 is a top plan view thereof;

FIG. 12 is a rear elevational view thereof; and,

FIG. 13 is a bottom plan view thereof.

The broken lines in FIG. 7 are provided for illustrative purposes only and form no part of the claimed design.

**1 Claim, 5 Drawing Sheets**



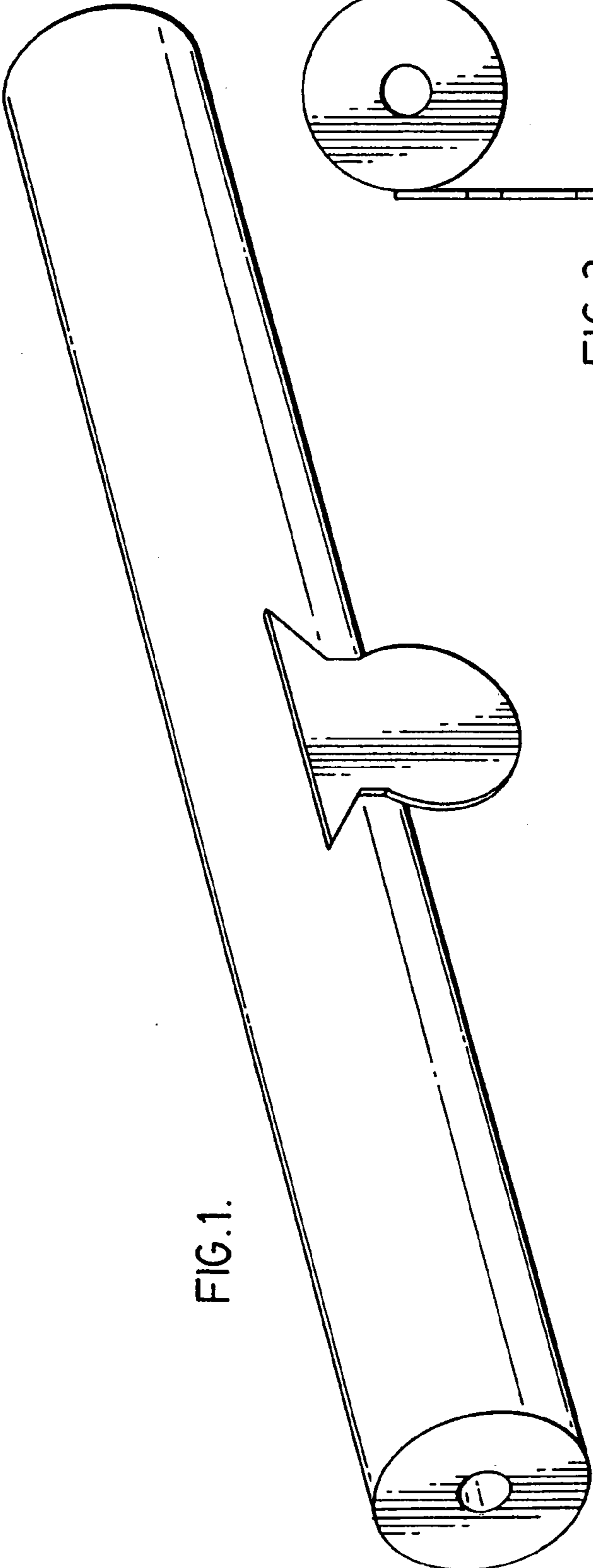


FIG. 1.

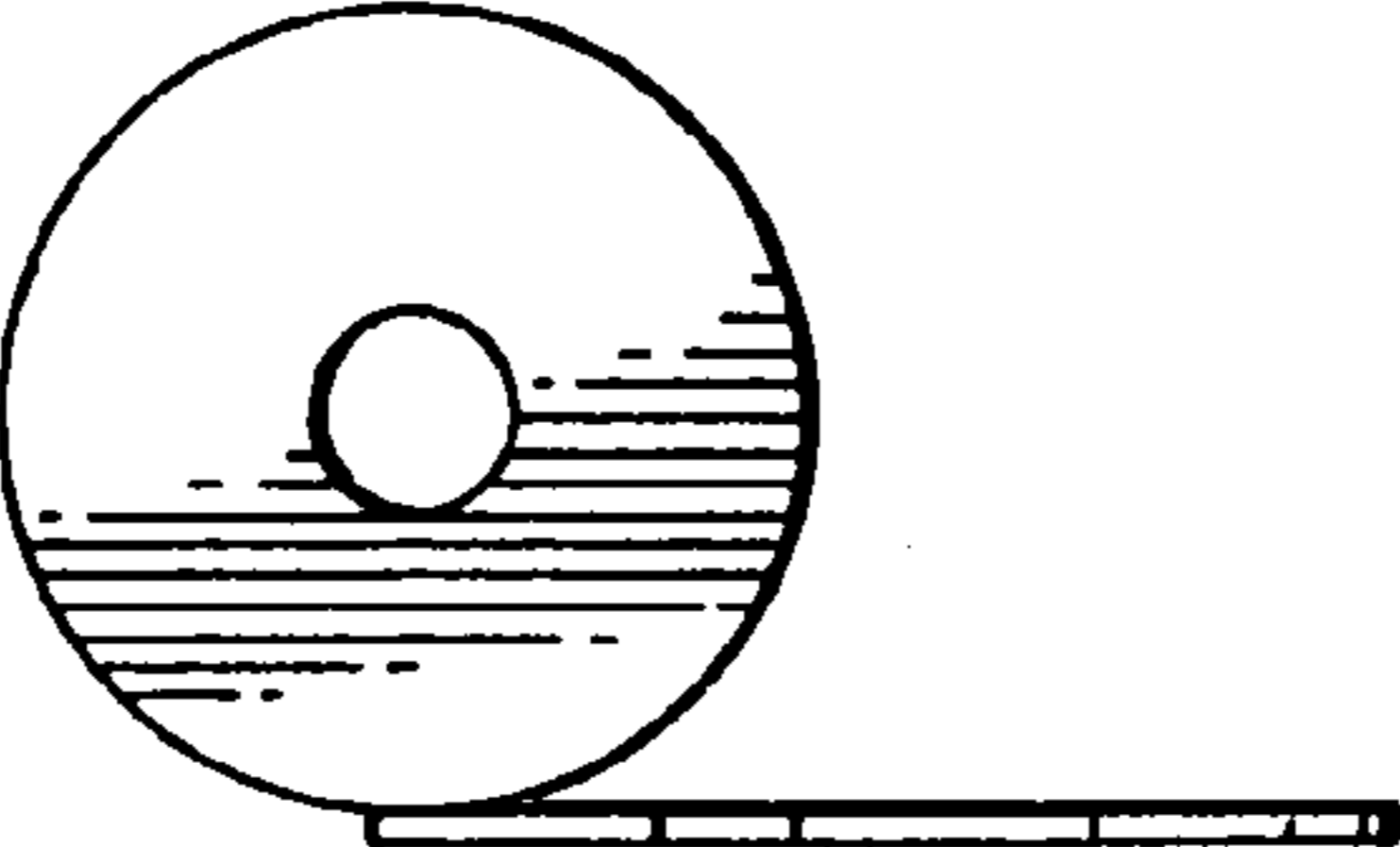


FIG. 2.

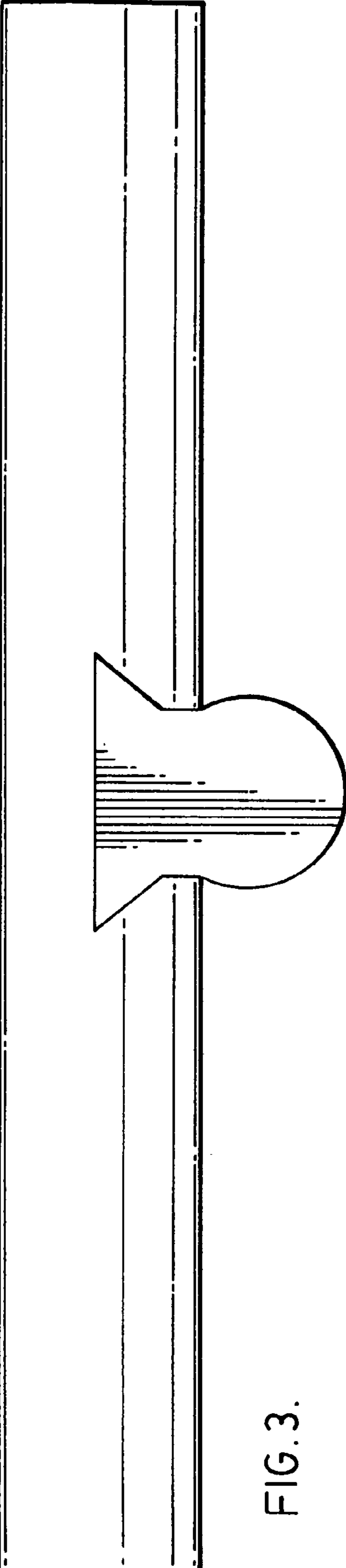


FIG. 3.

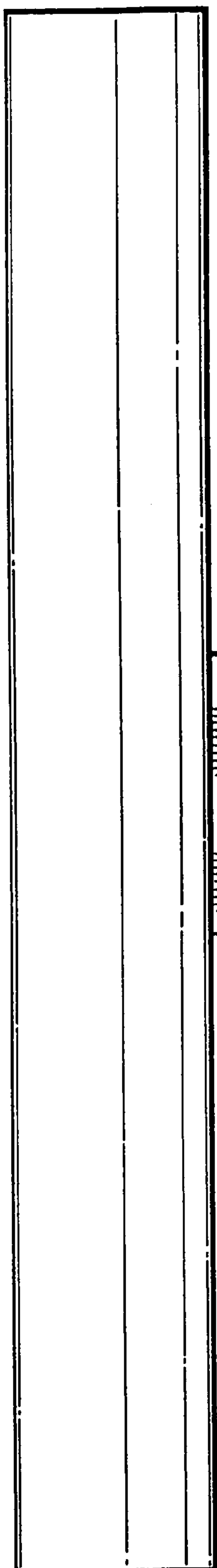


FIG. 4.

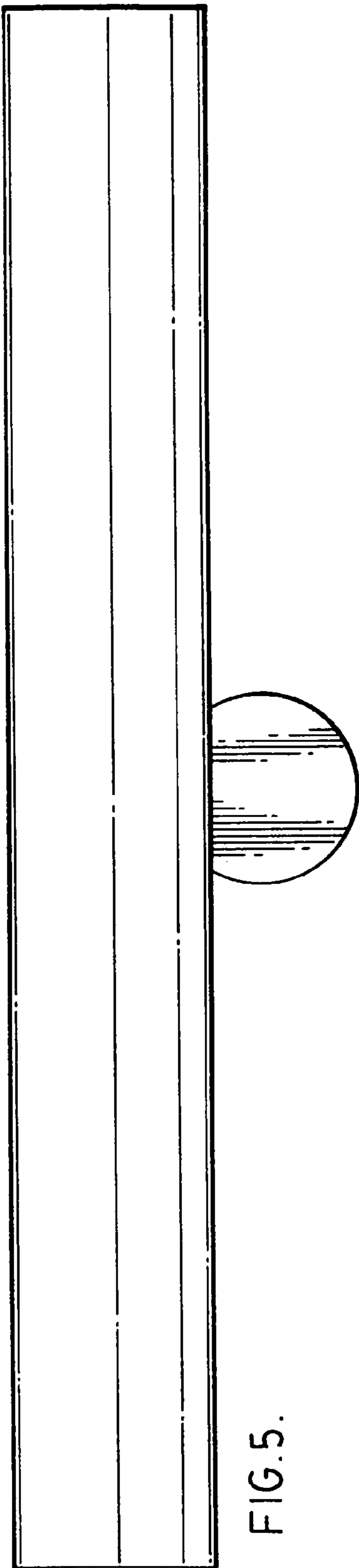


FIG. 5.

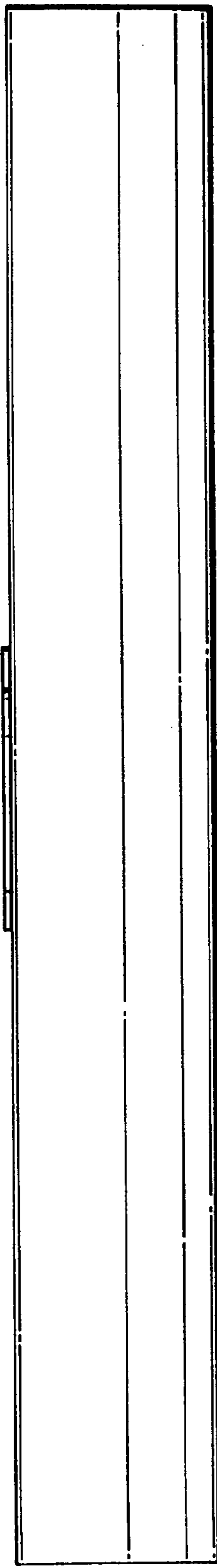
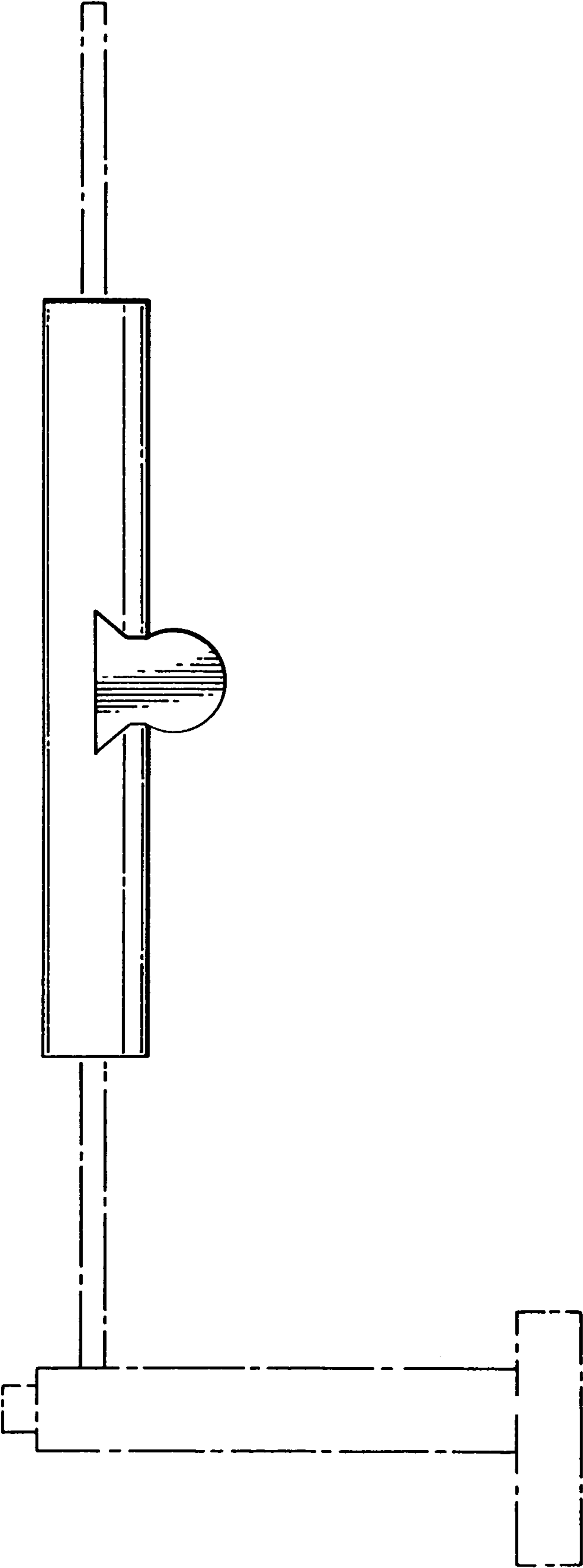


FIG. 6.

FIG. 7.



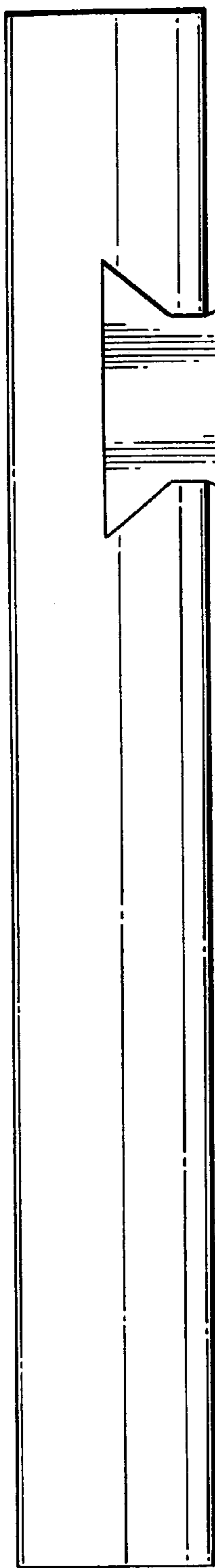


FIG. 8.

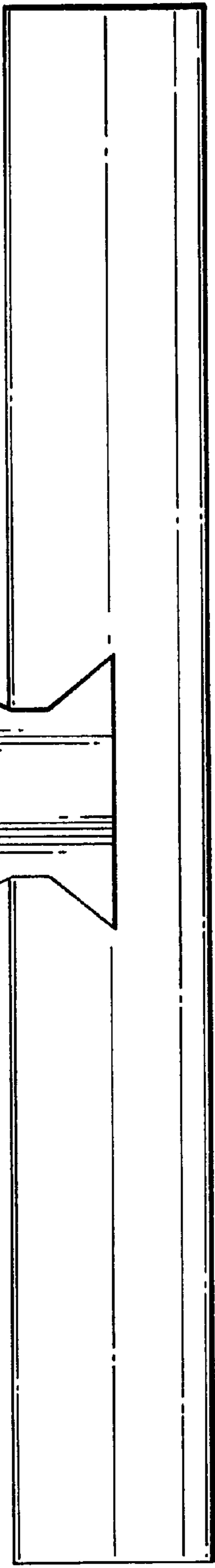


FIG. 9.

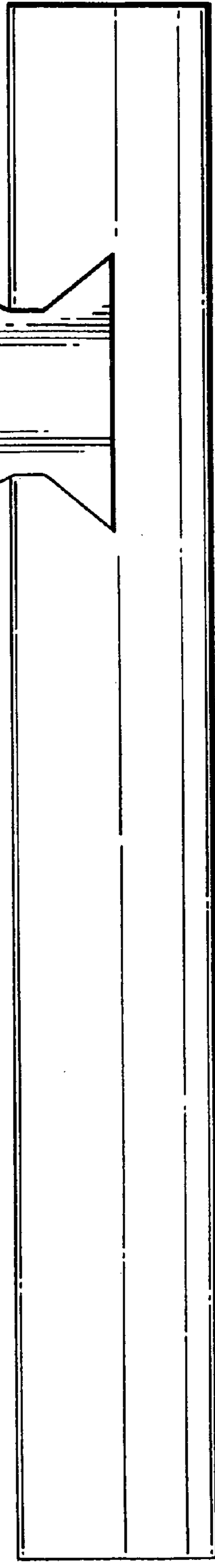


FIG. 10.

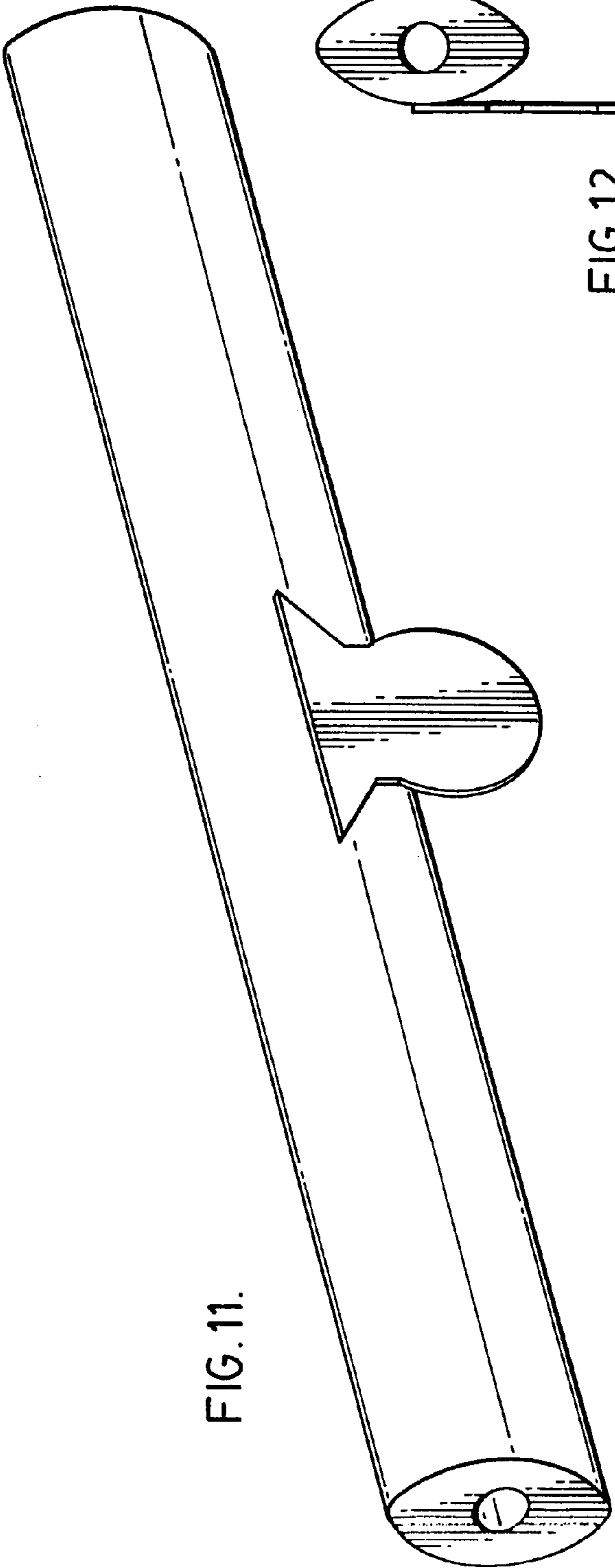


FIG. 11.

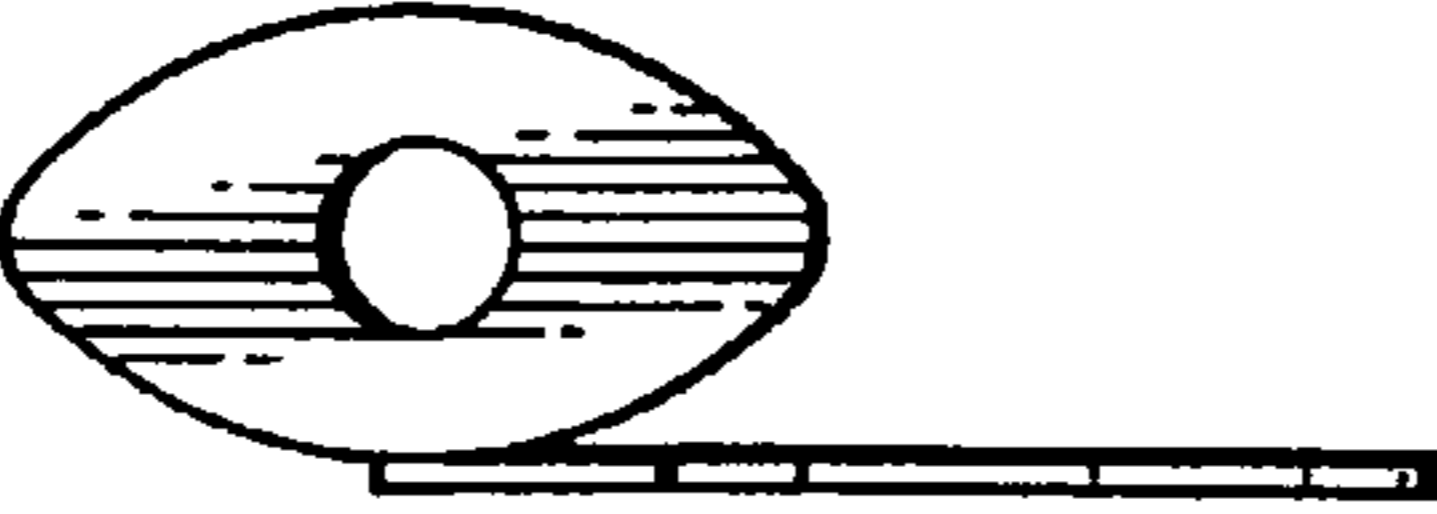


FIG. 12.

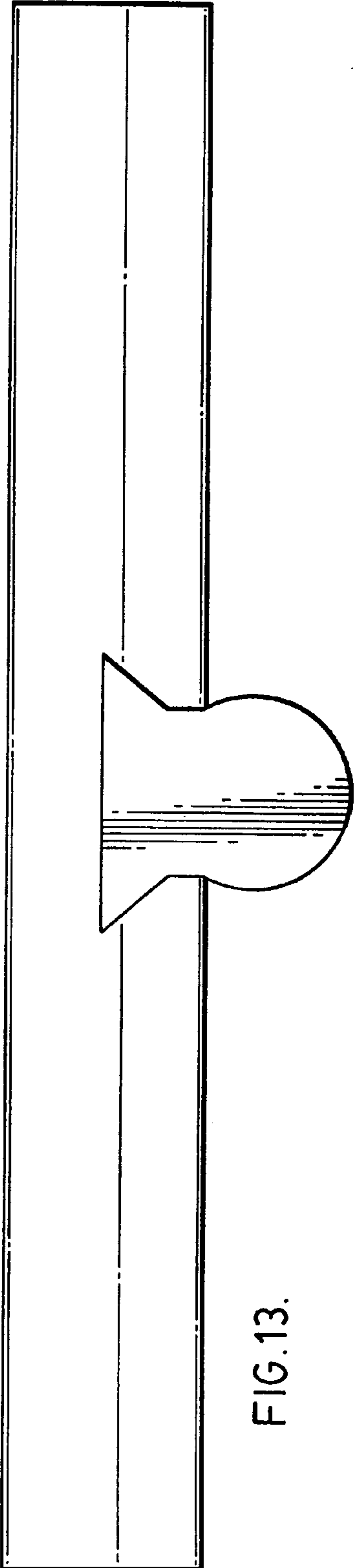


FIG. 13.