



US00D591791S

(12) **United States Design Patent**
Matsumoto

(10) **Patent No.:** **US D591,791 S**
(45) **Date of Patent:** **** May 5, 2009**

(54) **INK CARTRIDGE**

(75) Inventor: **Hitoshi Matsumoto**, Matsumoto (JP)

(73) Assignee: **Seiko Epson Corporation** (JP)

(**) Term: **14 Years**

(21) Appl. No.: **29/326,286**

(22) Filed: **Oct. 15, 2008**

Related U.S. Application Data

(62) Division of application No. 29/294,446, filed on Jan. 10, 2008.

(30) **Foreign Application Priority Data**

Nov. 27, 2007 (JP) 2007-032507
Nov. 27, 2007 (JP) 2007-032508

(51) **LOC (9) Cl.** **18-02**

(52) **U.S. Cl.** **D18/56; 347/86**

(58) **Field of Classification Search** D18/12,
D18/43, 56; 347/85-87

See application file for complete search history.

(56) **References Cited**

U.S. PATENT DOCUMENTS

D477,020 S * 7/2003 Seino D18/56
D489,757 S * 5/2004 Matsumoto D18/56
D529,954 S * 10/2006 Matsumoto D18/56
D538,338 S * 3/2007 Matsumoto D18/56
D569,422 S * 5/2008 Matsumoto D18/56

D573,180 S * 7/2008 Yoshino D18/56
D579,492 S * 10/2008 Matsumoto D18/56
2005/0036015 A1 * 2/2005 Seino et al. 347/86
2007/0132820 A1 * 6/2007 Sato 347/86
2008/0024572 A1 * 1/2008 Kimura et al. 347/86

* cited by examiner

Primary Examiner—Cathy Anne MacCormac

(74) *Attorney, Agent, or Firm*—Harness, Dickey & Pierce, P.L.C.

(57) **CLAIM**

The ornamental design for an ink cartridge, as shown and described.

DESCRIPTION

FIG. 1 is a top, front and right side perspective view of an ink cartridge according to the present design;

FIG. 2 is a bottom, front and left side perspective view thereof;

FIG. 3 is a front view thereof;

FIG. 4 is a rear view thereof;

FIG. 5 is a top plan view thereof;

FIG. 6 is a bottom plan view thereof;

FIG. 7 is a right side elevational view thereof; and,

FIG. 8 is a left side elevational view thereof.

The broken lines are shown for illustrative purposes only and form no part of the claimed design.

1 Claim, 6 Drawing Sheets

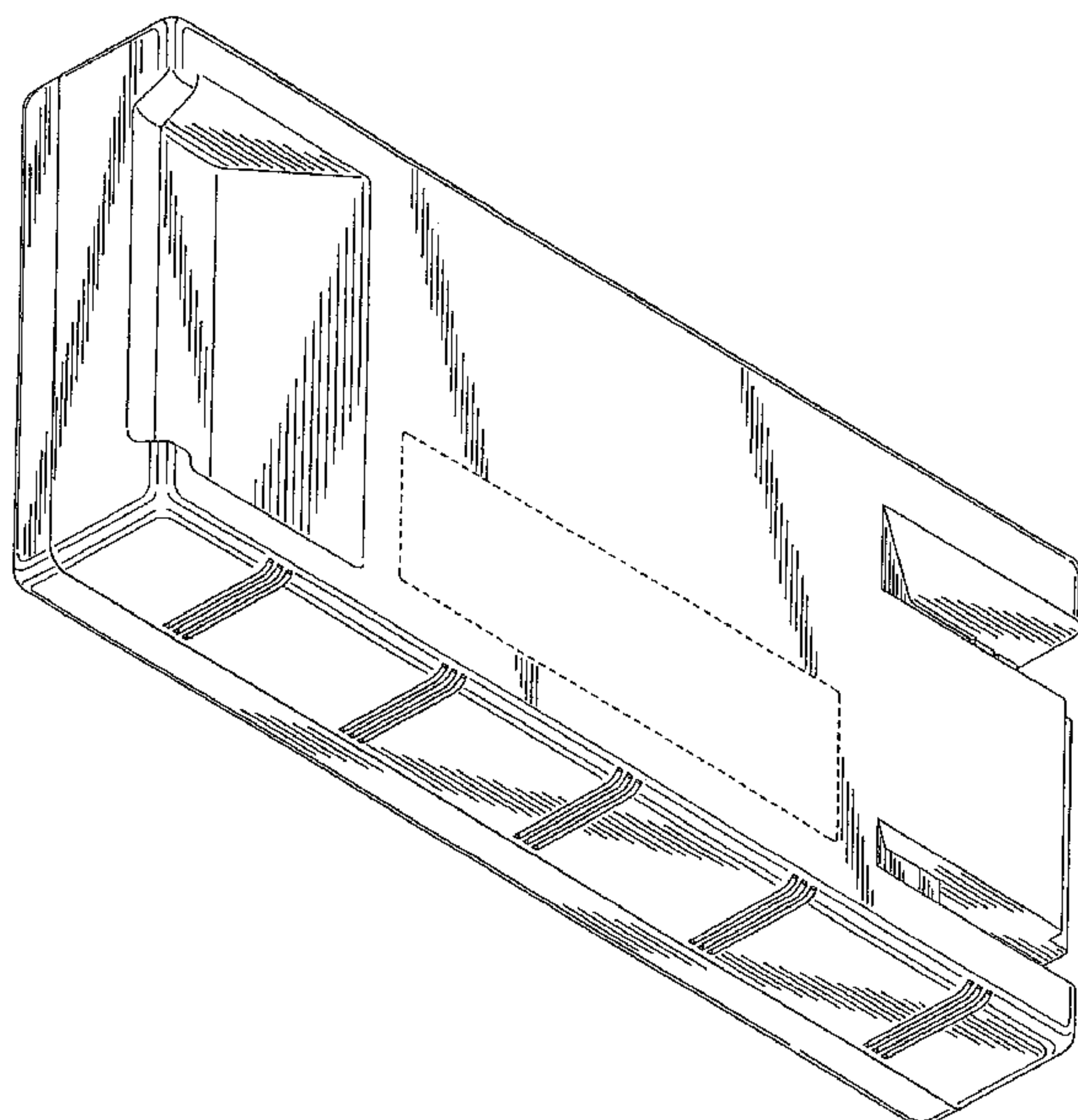
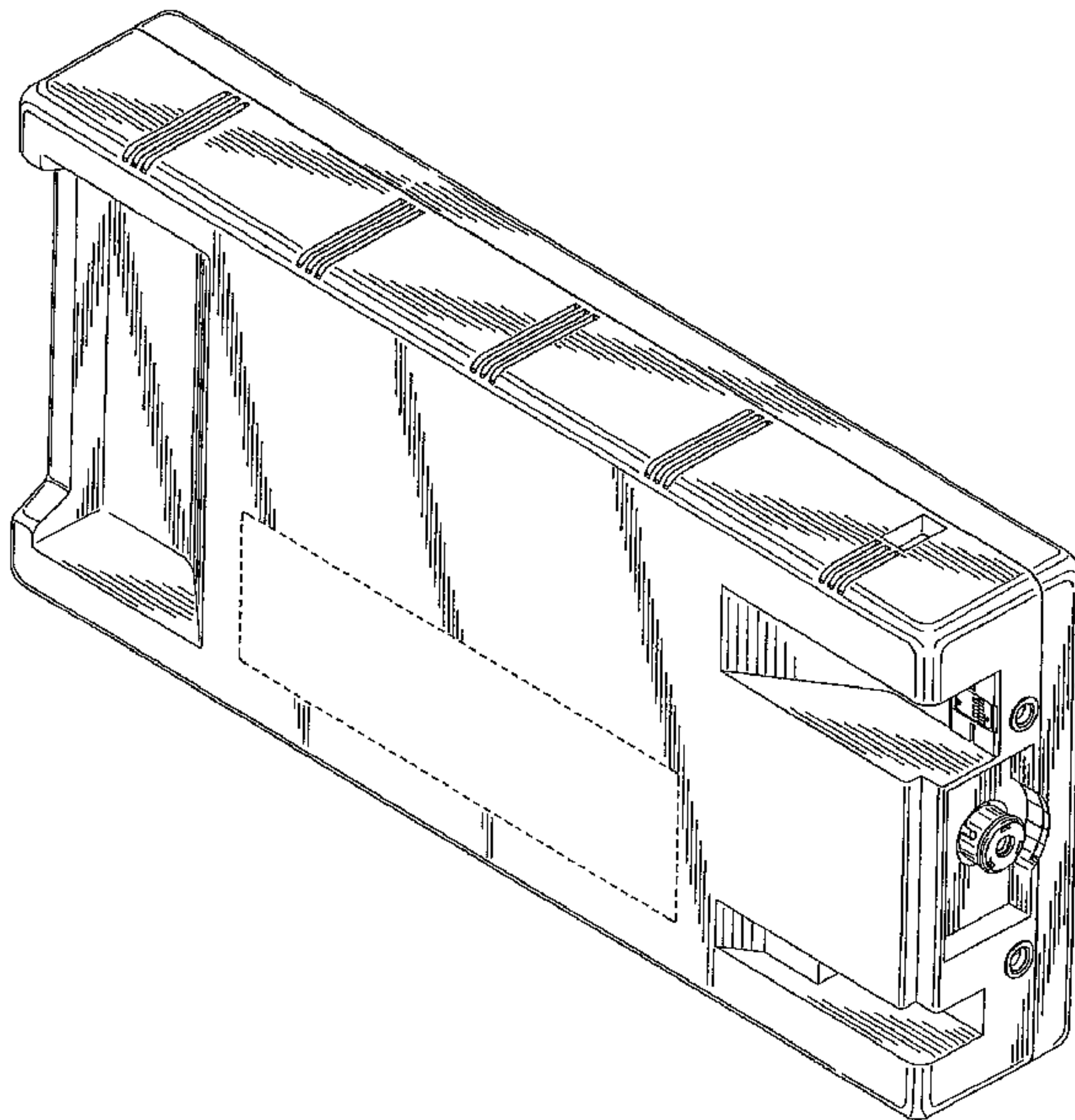


FIG. 1

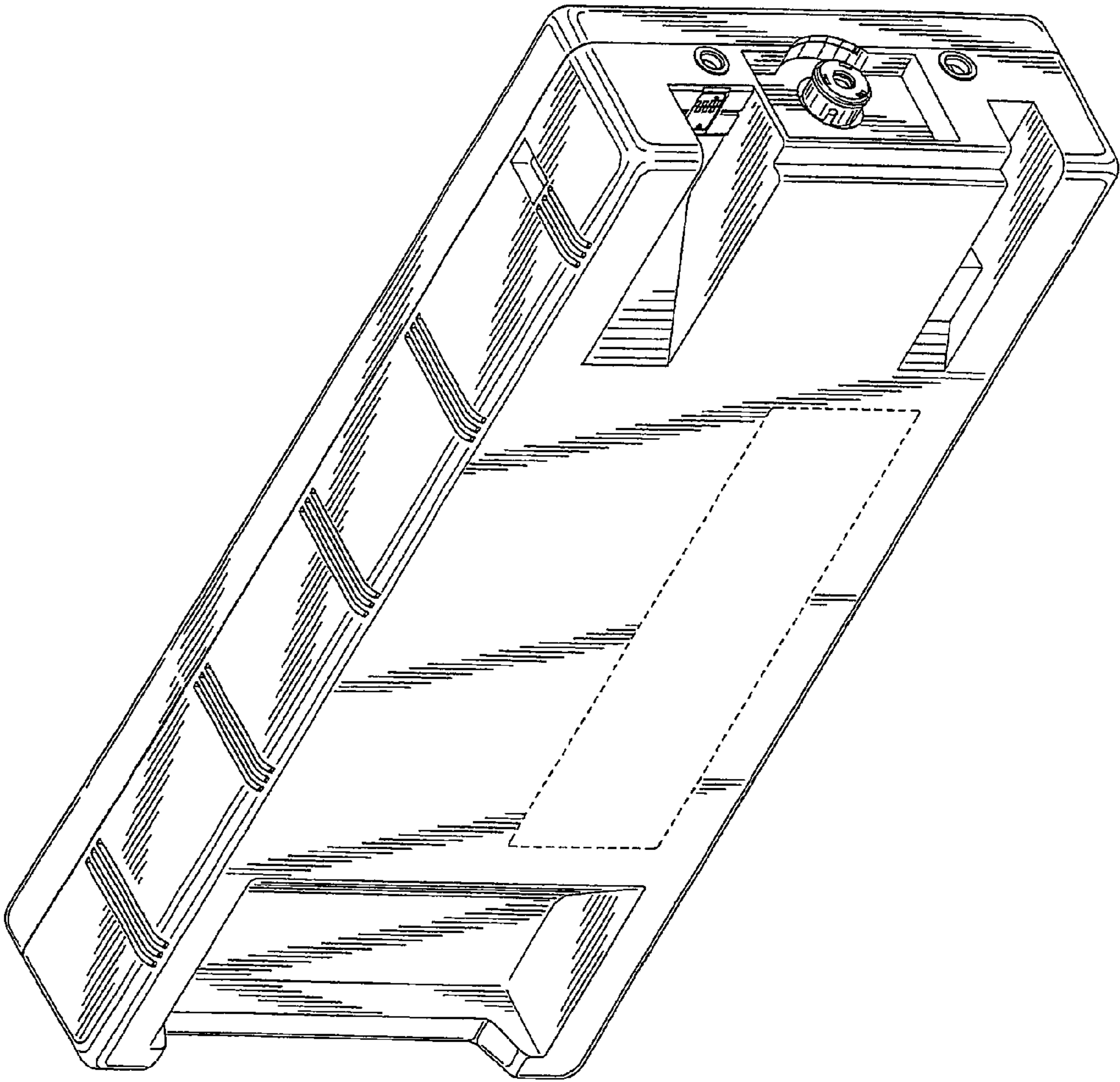


FIG. 2

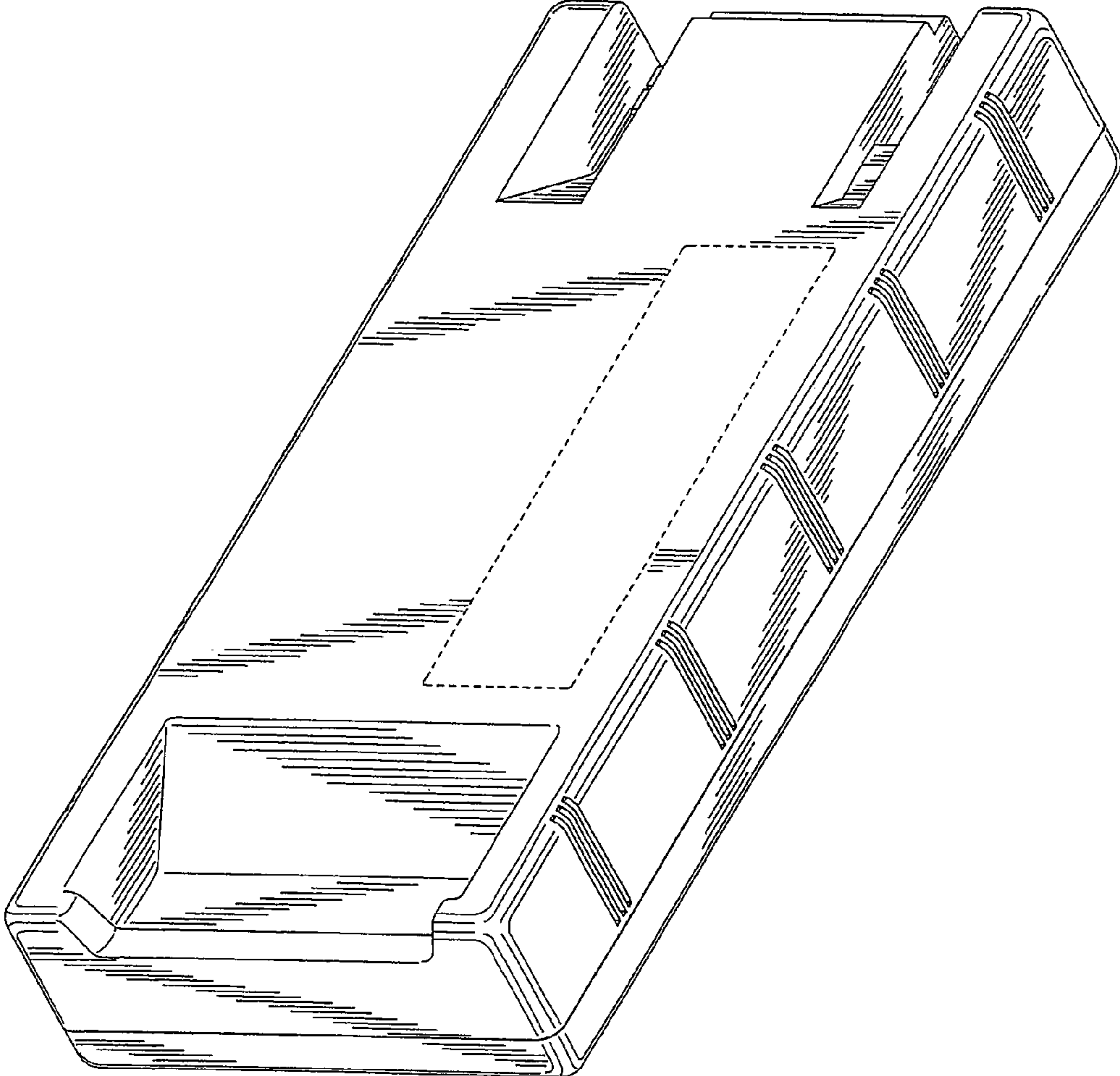


FIG. 3

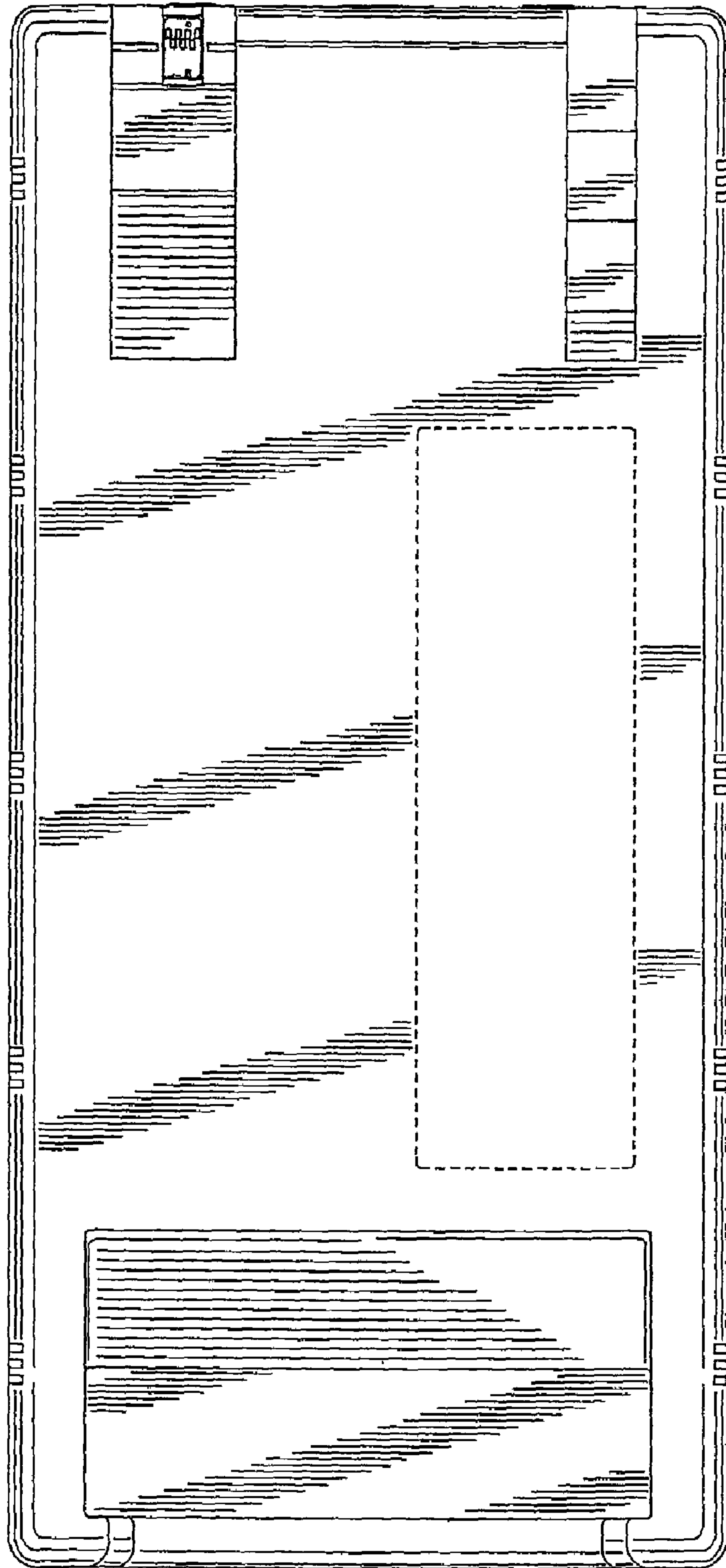


FIG. 4

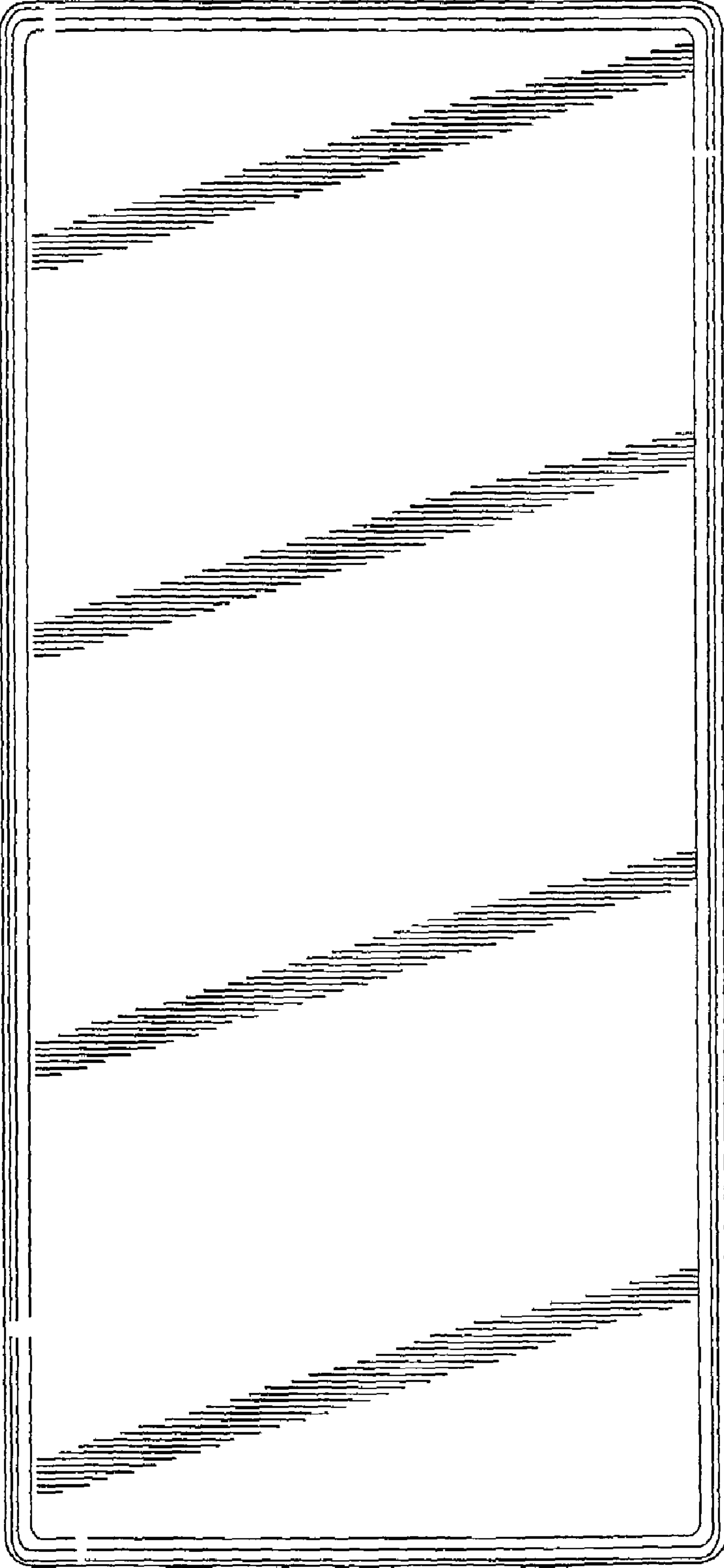


FIG. 5

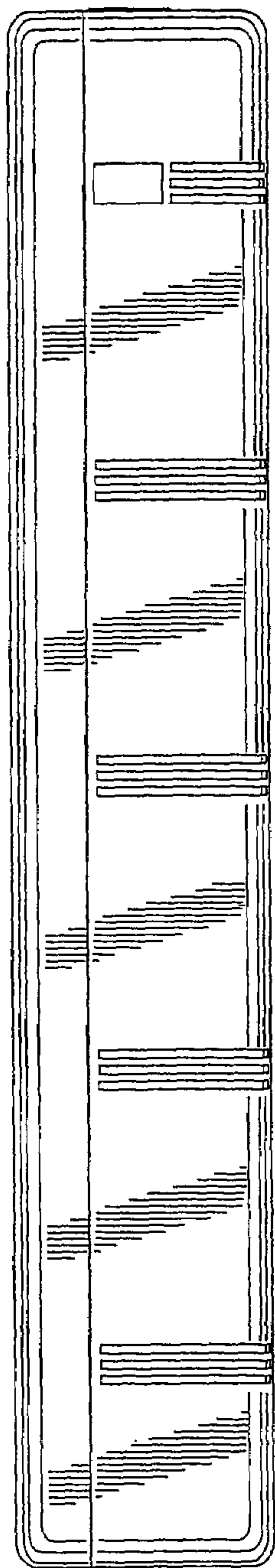


FIG. 6

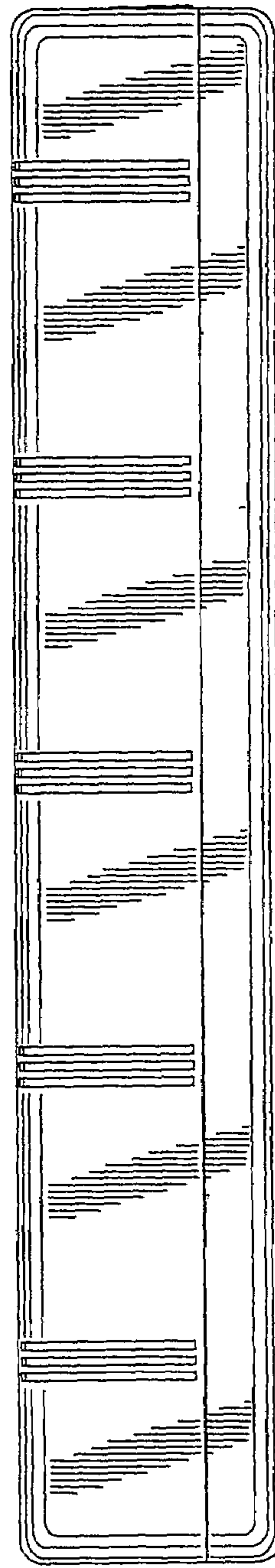


FIG. 8

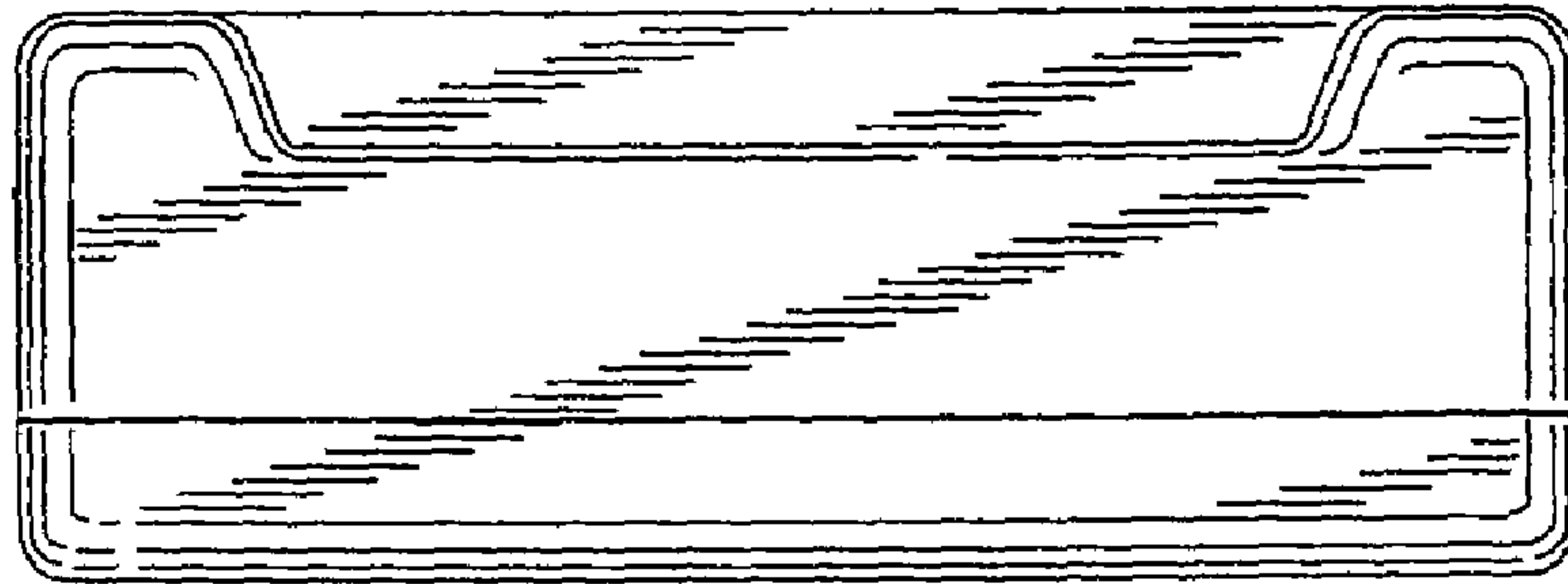


FIG. 7

