

US00D591790S

(12) **United States Design Patent**
Schroeder

(10) **Patent No.:** **US D591,790 S**

(45) **Date of Patent:** **** May 5, 2009**

(54) **MUSICAL INSTRUMENT BODY**

(75) **Inventor:** **Thomas Hermann Schroeder**, 14317
Emerald St., Corpus Christi, TX (US)
78418

(73) **Assignee:** **Thomas Hermann Schroeder**,
Beaumont, TX (US)

(**) **Term:** **14 Years**

(21) **Appl. No.:** **29/289,506**

(22) **Filed:** **Jul. 24, 2007**

(51) **LOC (9) Cl.** **17-03**

(52) **U.S. Cl.** **D17/14**

(58) **Field of Classification Search** D17/14-20,
D17/99; 84/1, 264, 265, 267, 268, 269, 274,
84/275, 284, 285, 291, 292, 293
See application file for complete search history.

(56) **References Cited**

U.S. PATENT DOCUMENTS

1,291,192	A *	1/1919	Shashou	84/274
D67,898	S *	7/1925	Makay	D17/19
1,679,834	A *	8/1928	Lentz	84/274
2,539,297	A *	1/1951	De Lazaro	84/731
3,833,751	A *	9/1974	Chapman	84/726
D244,103	S *	4/1977	Greer	D19/62
5,227,575	A *	7/1993	Mishima	84/670
D363,946	S *	11/1995	Eberlen	D17/14
D552,160	S *	10/2007	Greenia	D17/14
D568,377	S *	5/2008	Kim et al.	D17/14
7,385,125	B2 *	6/2008	Motsenbocker	84/292

D584,336 S * 1/2009 Meeks D17/14

* cited by examiner

Primary Examiner—Ian Simmons

Assistant Examiner—R. Johnson

(57) **CLAIM**

The ornamental design for a musical instrument body, as shown and described.

DESCRIPTION

FIG. 1 is a front view of a musical instrument body showing my new design;

FIG. 2 is a side view thereof;

FIG. 3 is a rear view thereof;

FIG. 4 is a front perspective view thereof;

FIG. 5 is a rear perspective view thereof;

FIG. 6 is an end view thereof;

FIG. 7 is another end view thereof, opposite the end shown in FIG. 6;

FIG. 8 is a front view of the musical instrument body, showing a second embodiment;

FIG. 9 is a rear view thereof;

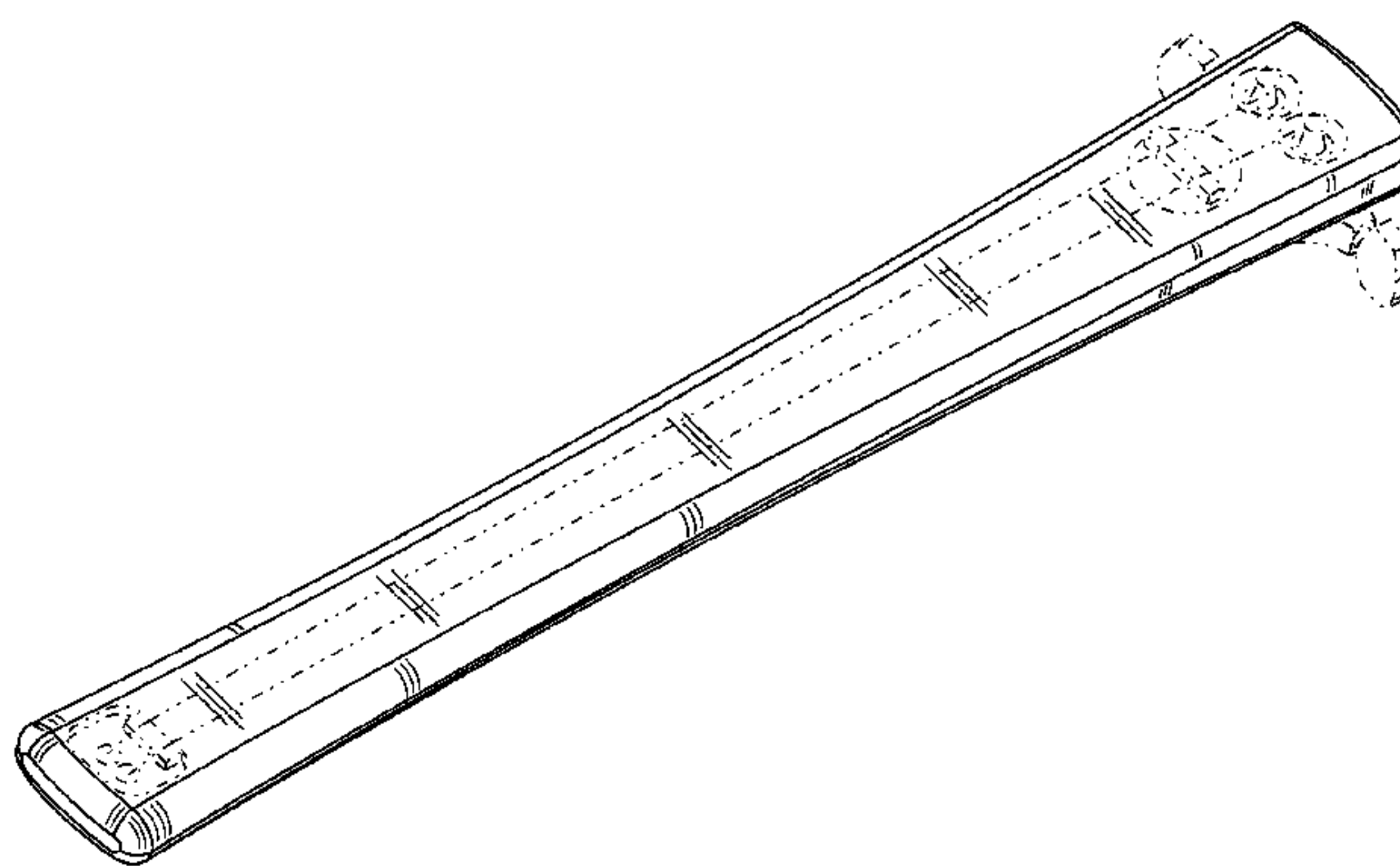
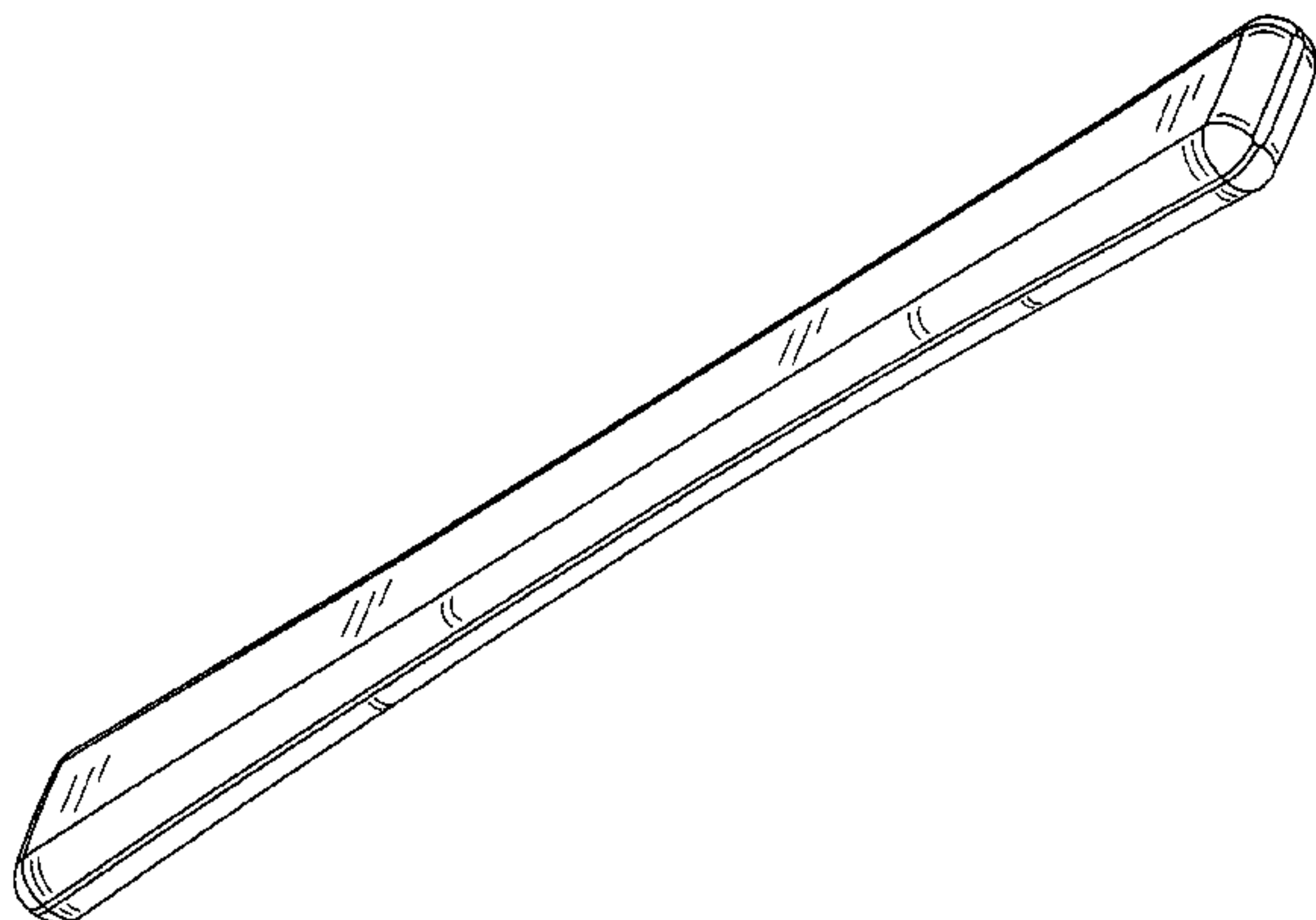
FIG. 10 is a side view thereof;

FIG. 11 is a front perspective view thereof; and,

FIG. 12 is a rear perspective view thereof.

The broken lines shown in FIGS. 8-12 represent the portion of the design, which forms no part of the claim.

1 Claim, 4 Drawing Sheets



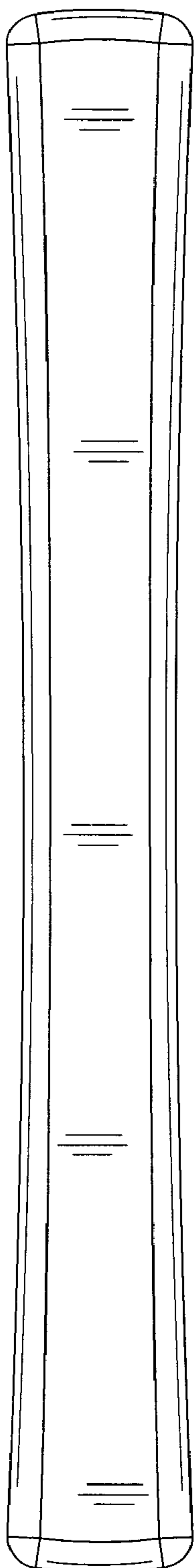


Fig. 1

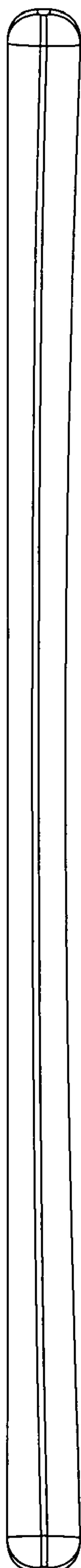


Fig. 2

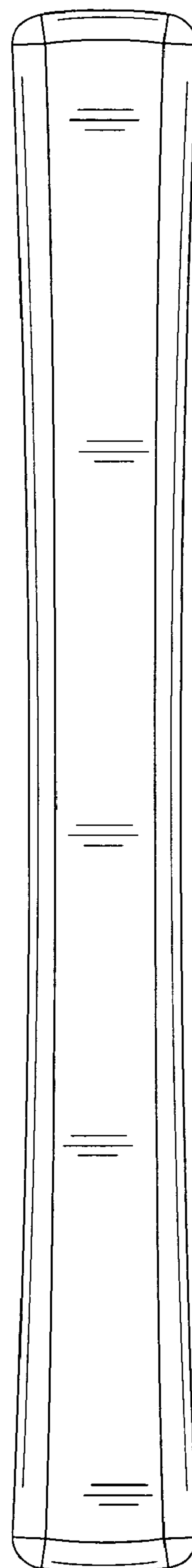


Fig. 3

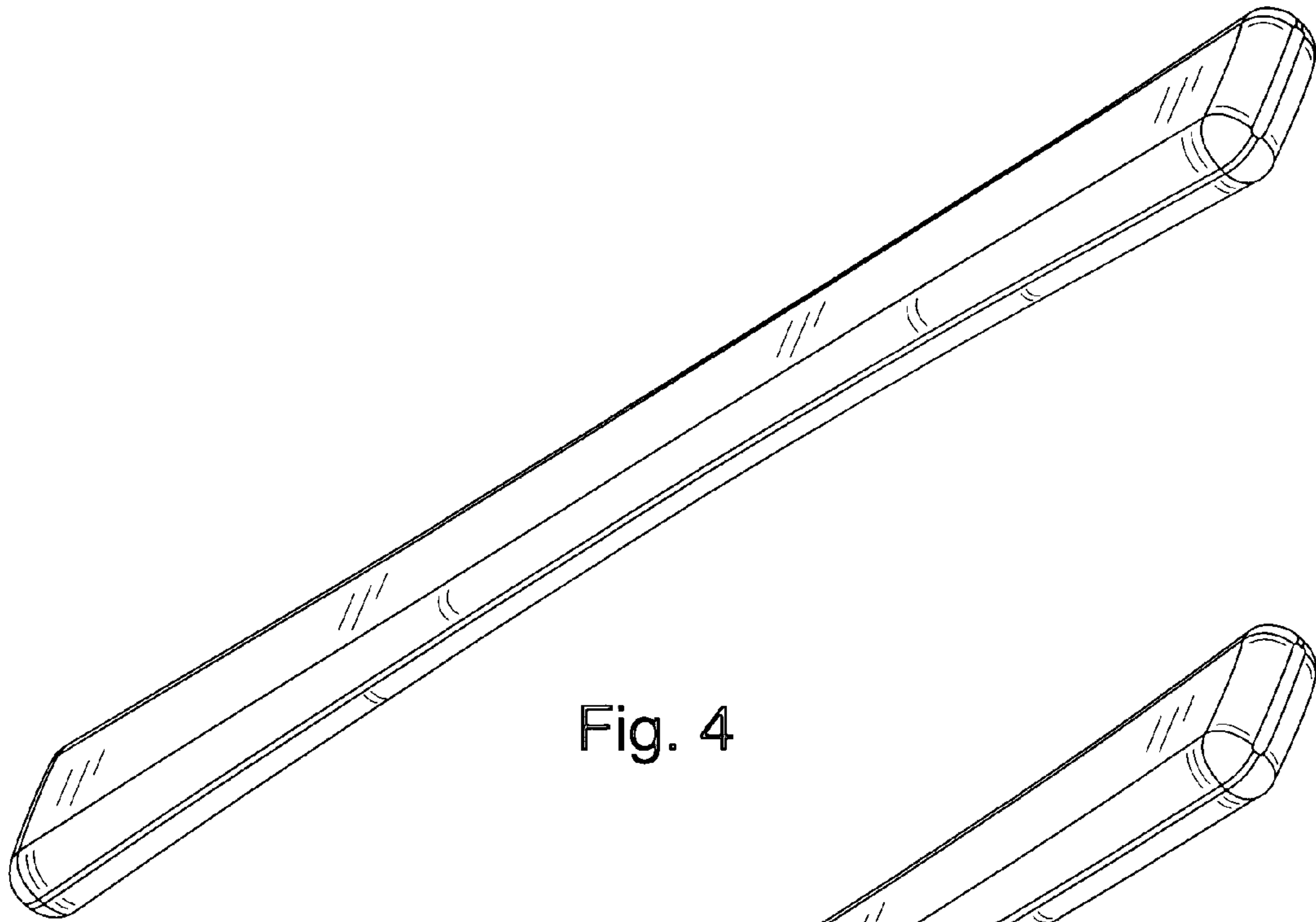


Fig. 4

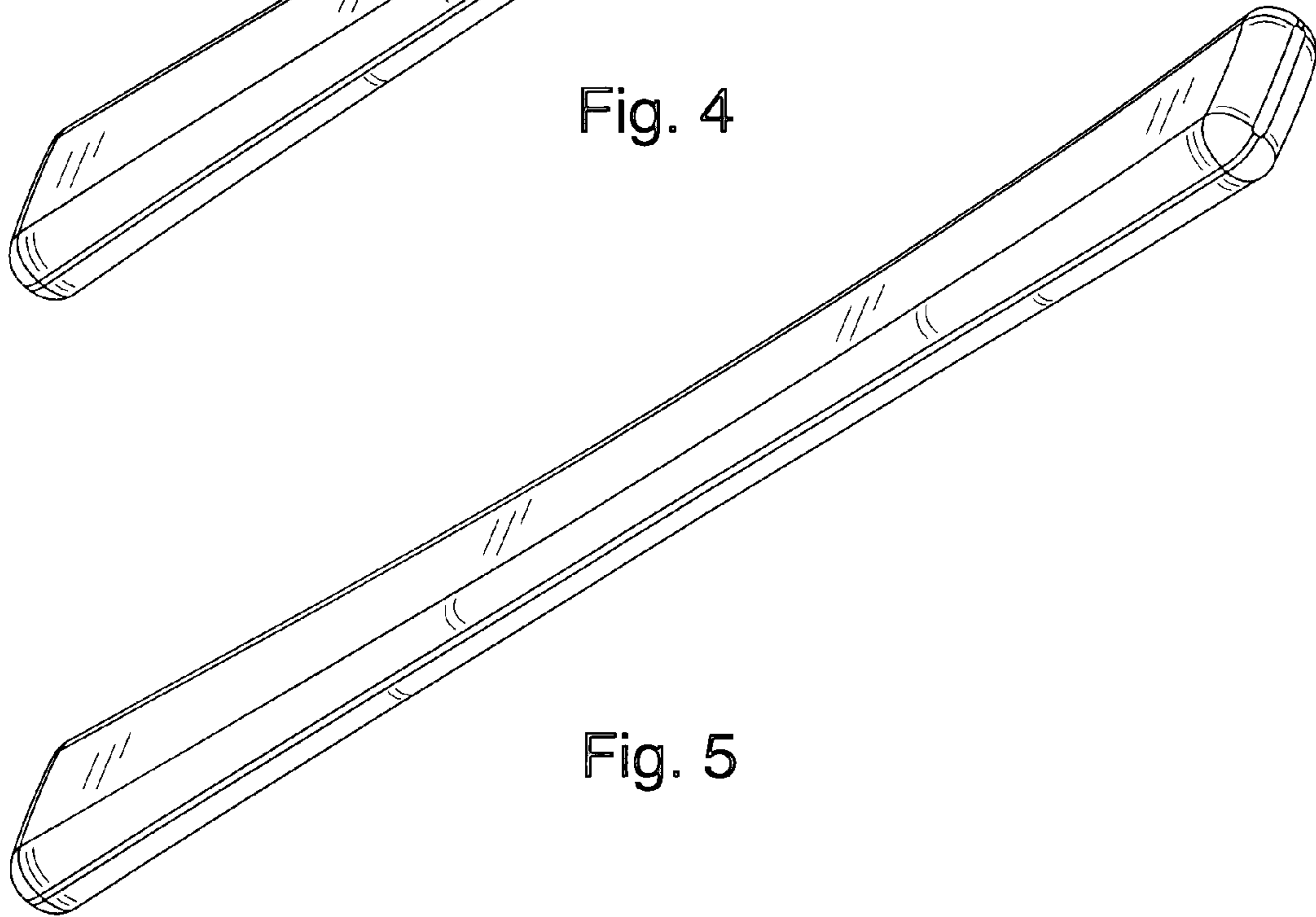


Fig. 5

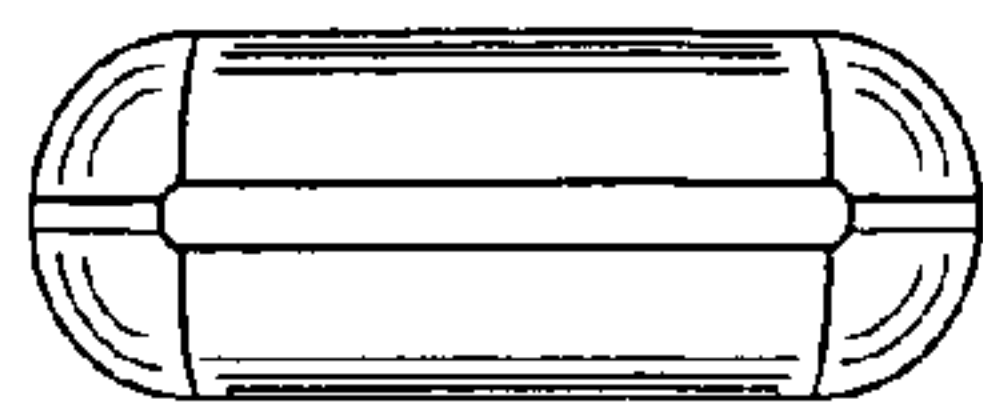


Fig. 6

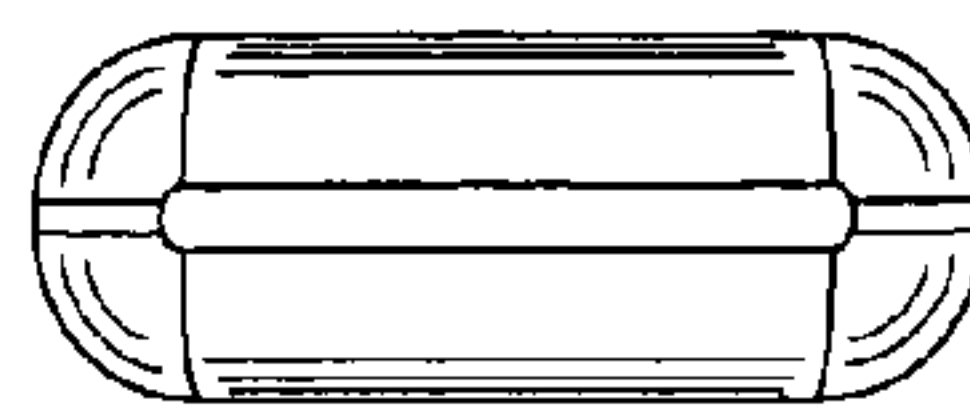


Fig. 7

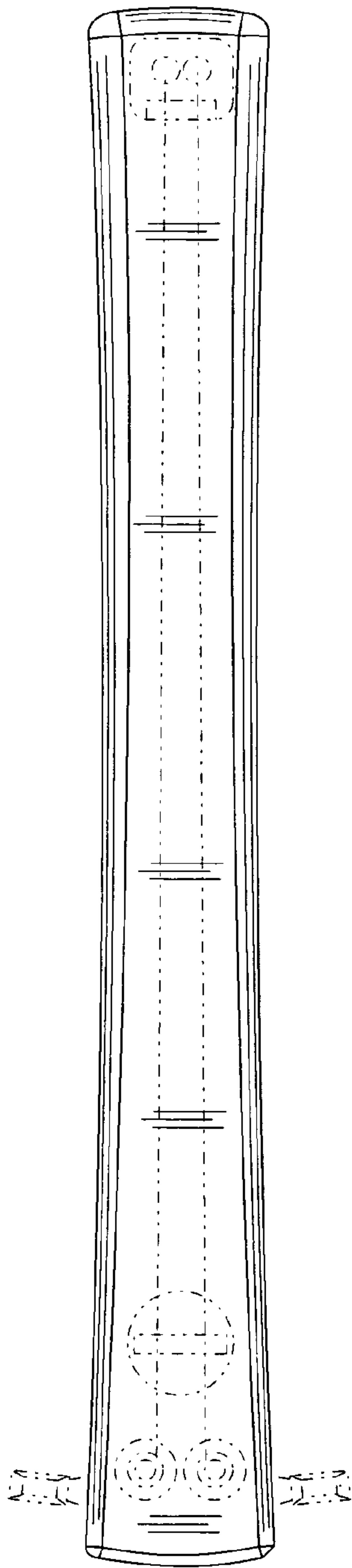


Fig. 8

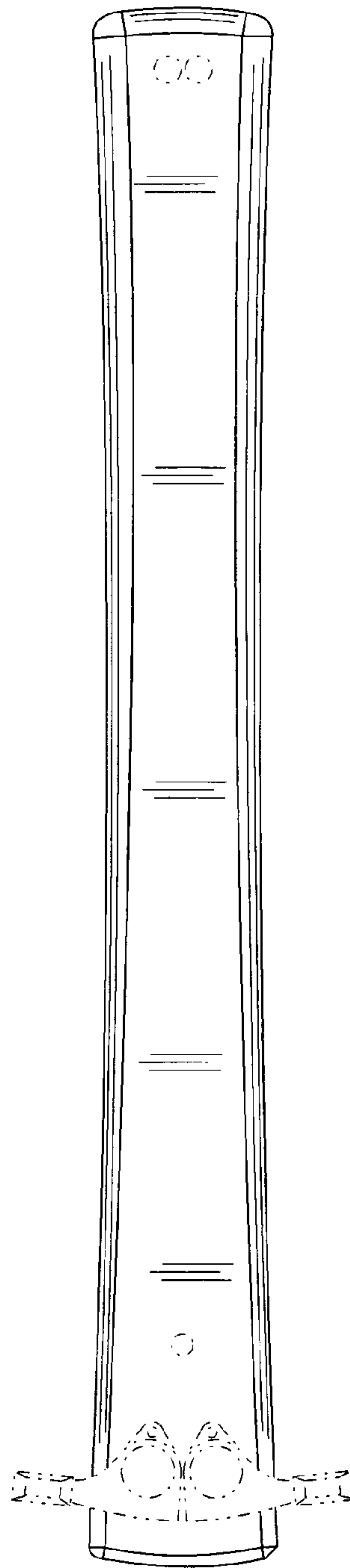


Fig. 9

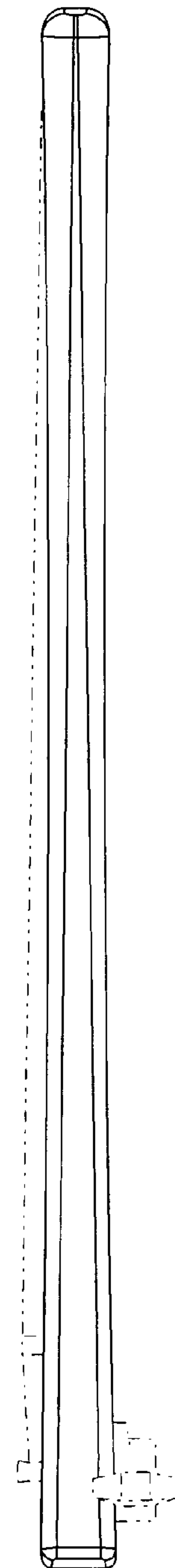


Fig. 10

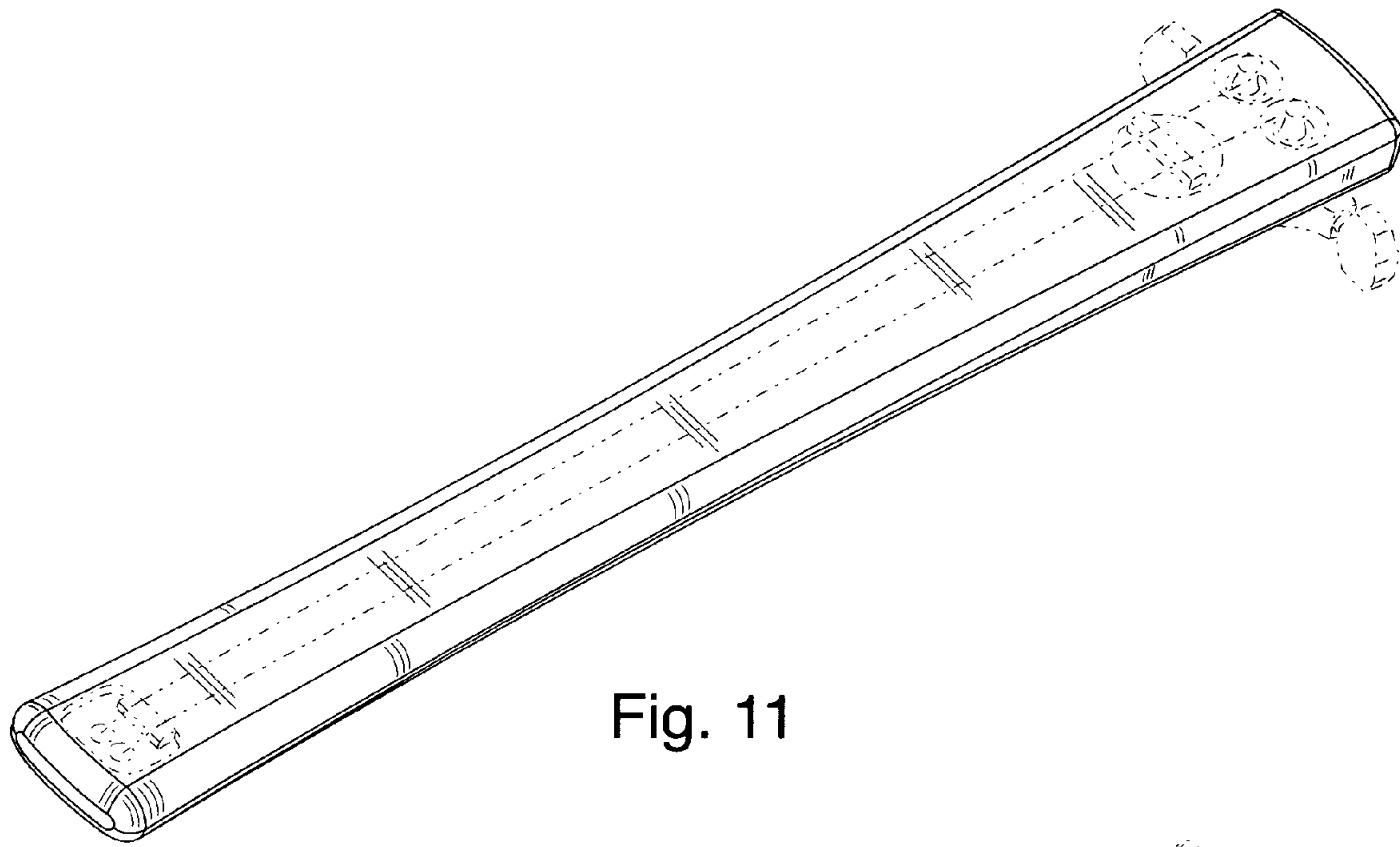


Fig. 11

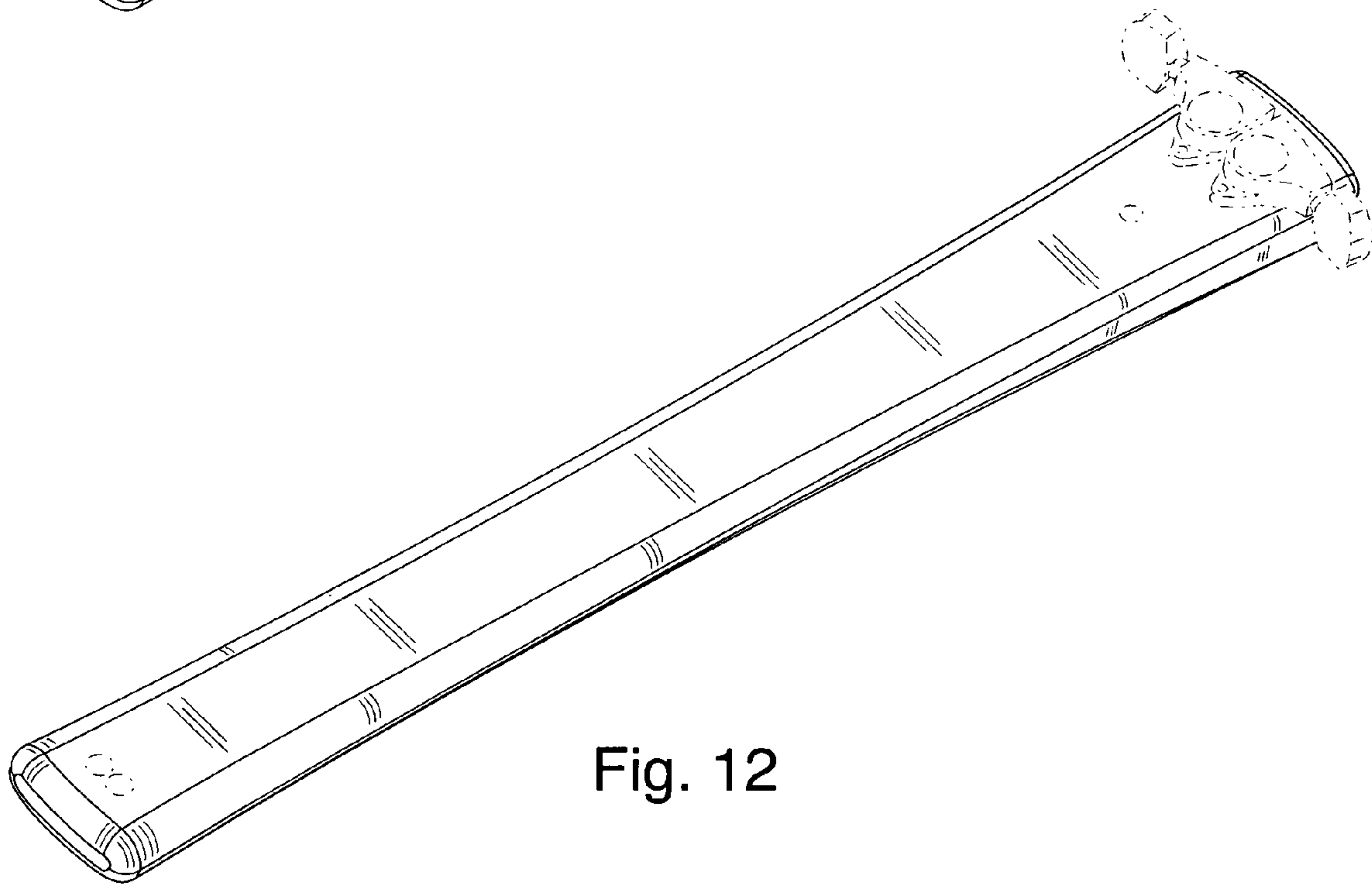


Fig. 12