



US00D591783S

(12) **United States Design Patent**
Matsuda

(10) **Patent No.:** **US D591,783 S**
(45) **Date of Patent:** **** May 5, 2009**

(54) **SINGLE-LENS REFLEX DIGITAL CAMERA**

(75) Inventor: **Takashi Matsuda**, Saitama (JP)

(73) Assignee: **PENTAX Corporation**, Tokyo (JP)

(**) Term: **14 Years**

(21) Appl. No.: **29/305,362**

(22) Filed: **Mar. 19, 2008**

(30) **Foreign Application Priority Data**

Sep. 21, 2007 (JP) 2007-025669

(51) **LOC (9) Cl.** **16-05**

(52) **U.S. Cl.** **D16/219; D16/217**

(58) **Field of Classification Search** D16/200–206,
D16/208, 217, 218, 219; 348/373–376; 396/354–359,
396/535–541

See application file for complete search history.

(56) **References Cited**

U.S. PATENT DOCUMENTS

- D433,435 S * 11/2000 Hamamura D16/219
- D481,409 S * 10/2003 Matsumura et al. D16/219
- D485,289 S * 1/2004 Hayashi D16/219
- D491,596 S * 6/2004 Haga D16/219
- D561,806 S * 2/2008 Funakoshi et al. D16/217

FOREIGN PATENT DOCUMENTS

JP D1303901 S 6/2007

* cited by examiner

Primary Examiner—Adir Aronovich

(74) *Attorney, Agent, or Firm*—Sughrue Mion, PLLC

(57) **CLAIM**

The ornamental design for a single-lens reflex digital camera, as shown and described.

DESCRIPTION

FIG. 1 is a perspective view of the top, front and left side of a single-lens reflex digital camera showing my new design;

FIG. 2 is a perspective view of the top, rear and left side thereof;

FIG. 3 is a front elevational view thereof;

FIG. 4 is a rear elevational view thereof;

FIG. 5 is a left side elevational view thereof;

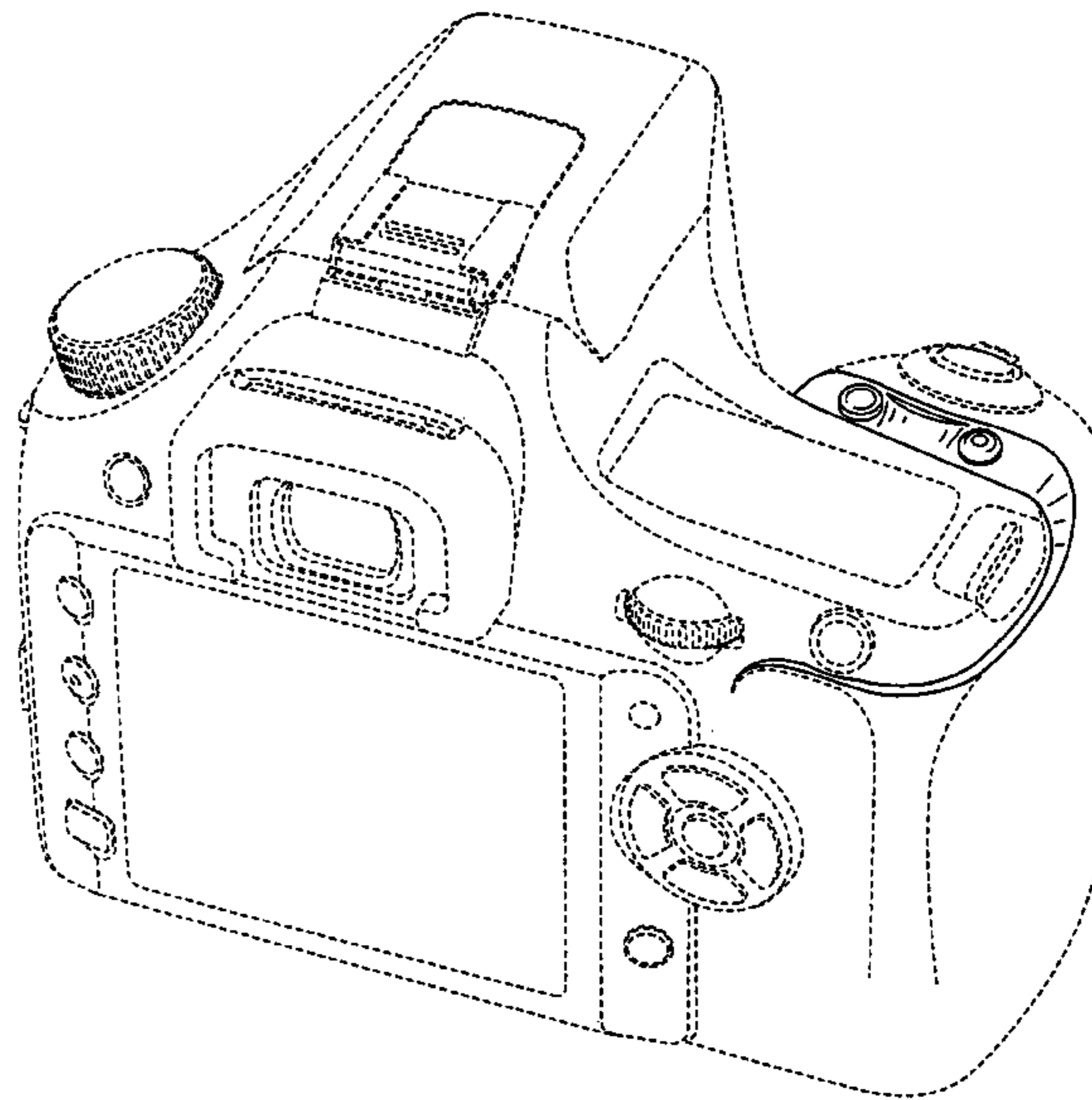
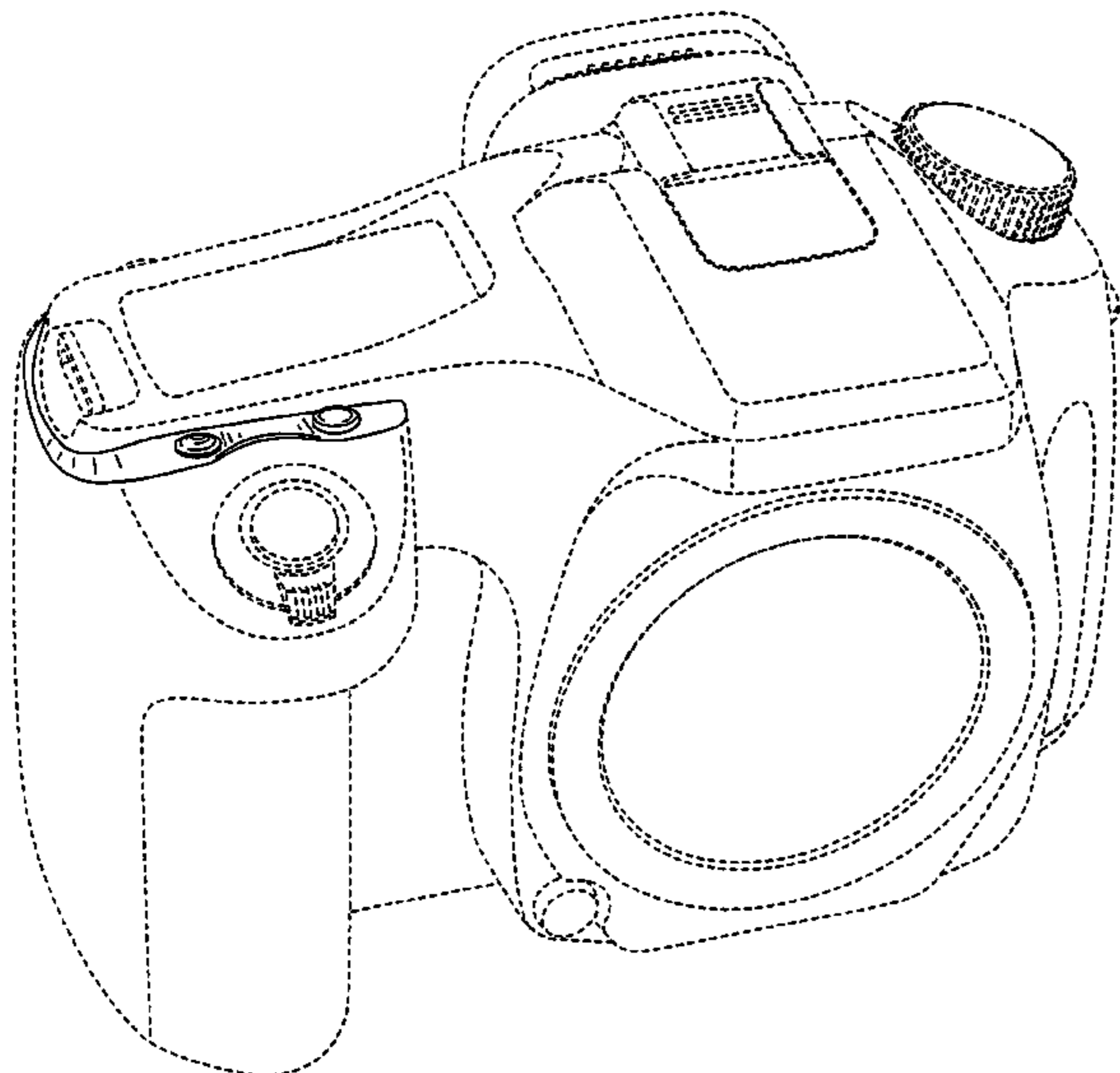
FIG. 6 is a right side elevational view thereof;

FIG. 7 is a top plan view thereof; and,

FIG. 8 is bottom plan view thereof.

The portions shown in broken lines are for illustrative purposes only and form no part of the claimed design.

1 Claim, 8 Drawing Sheets



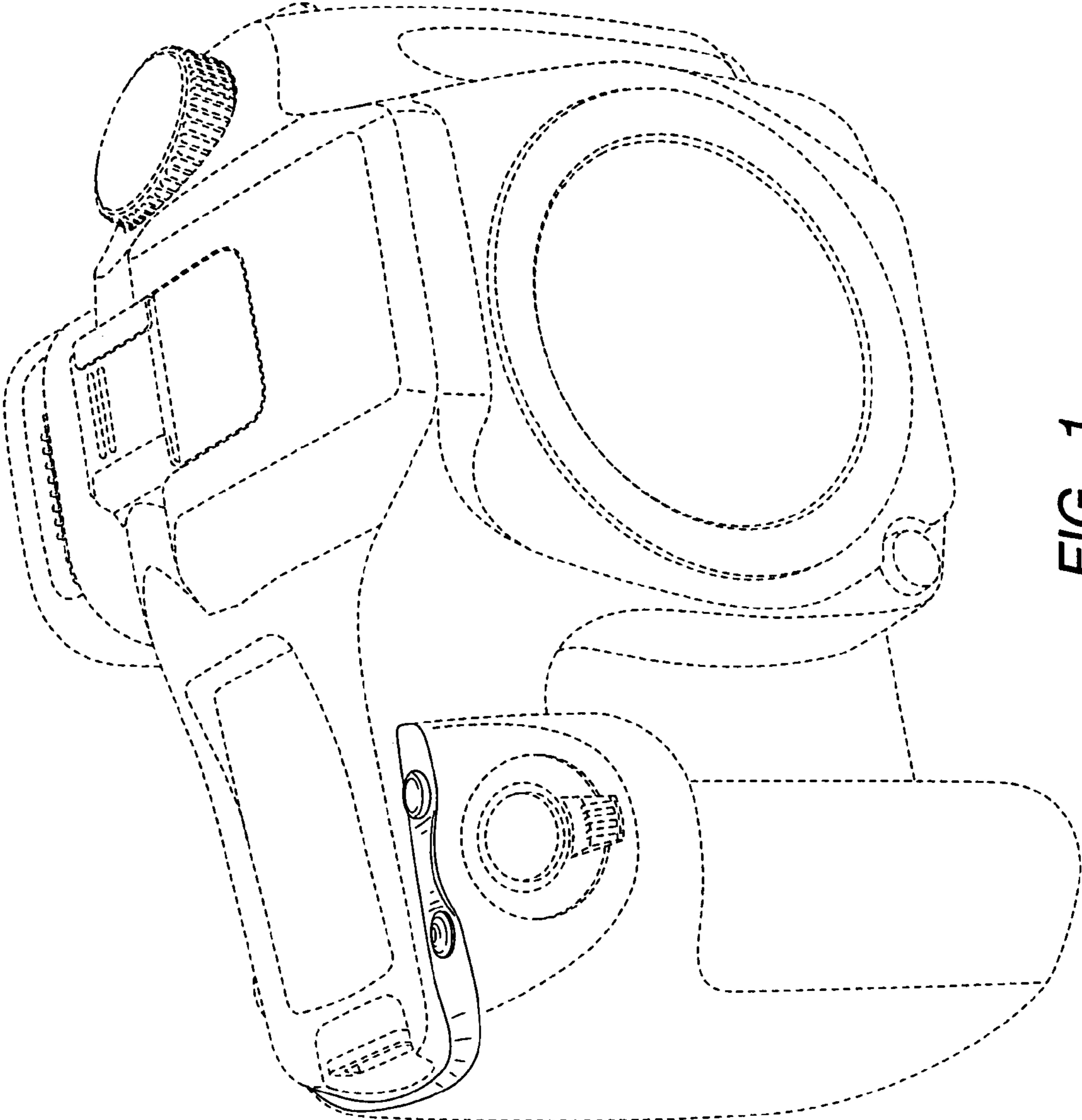


FIG. 1

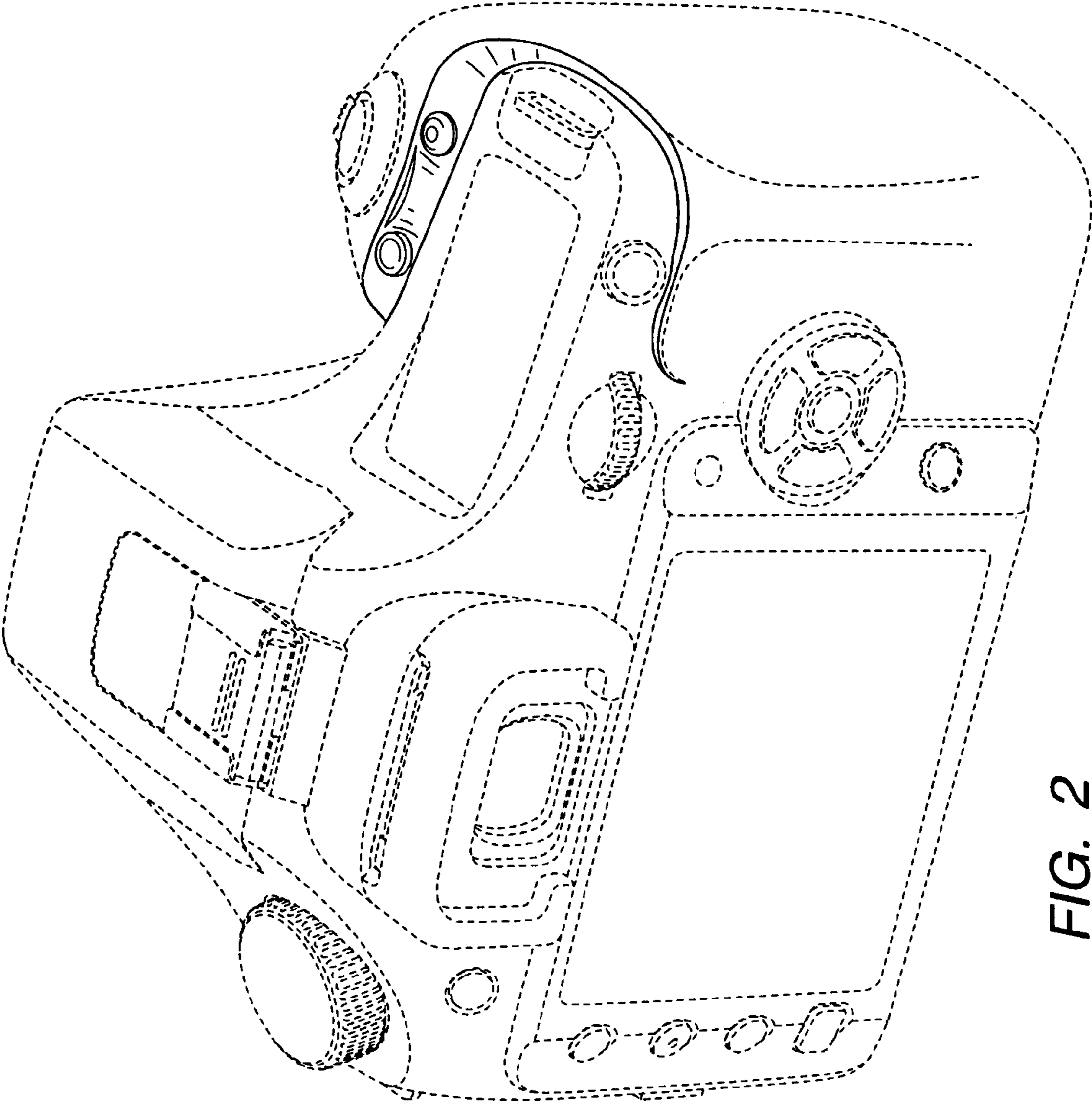


FIG. 2

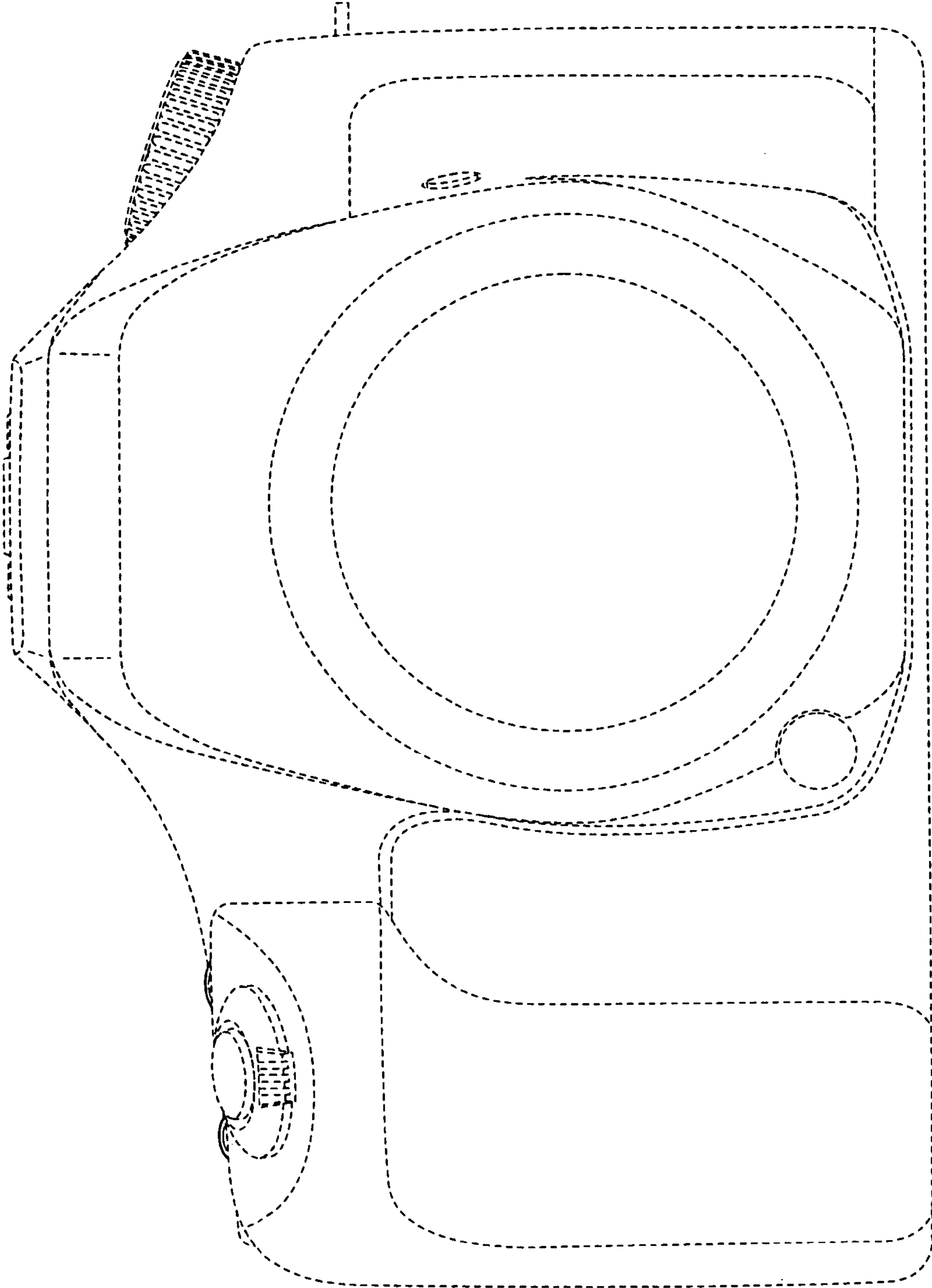


FIG. 3

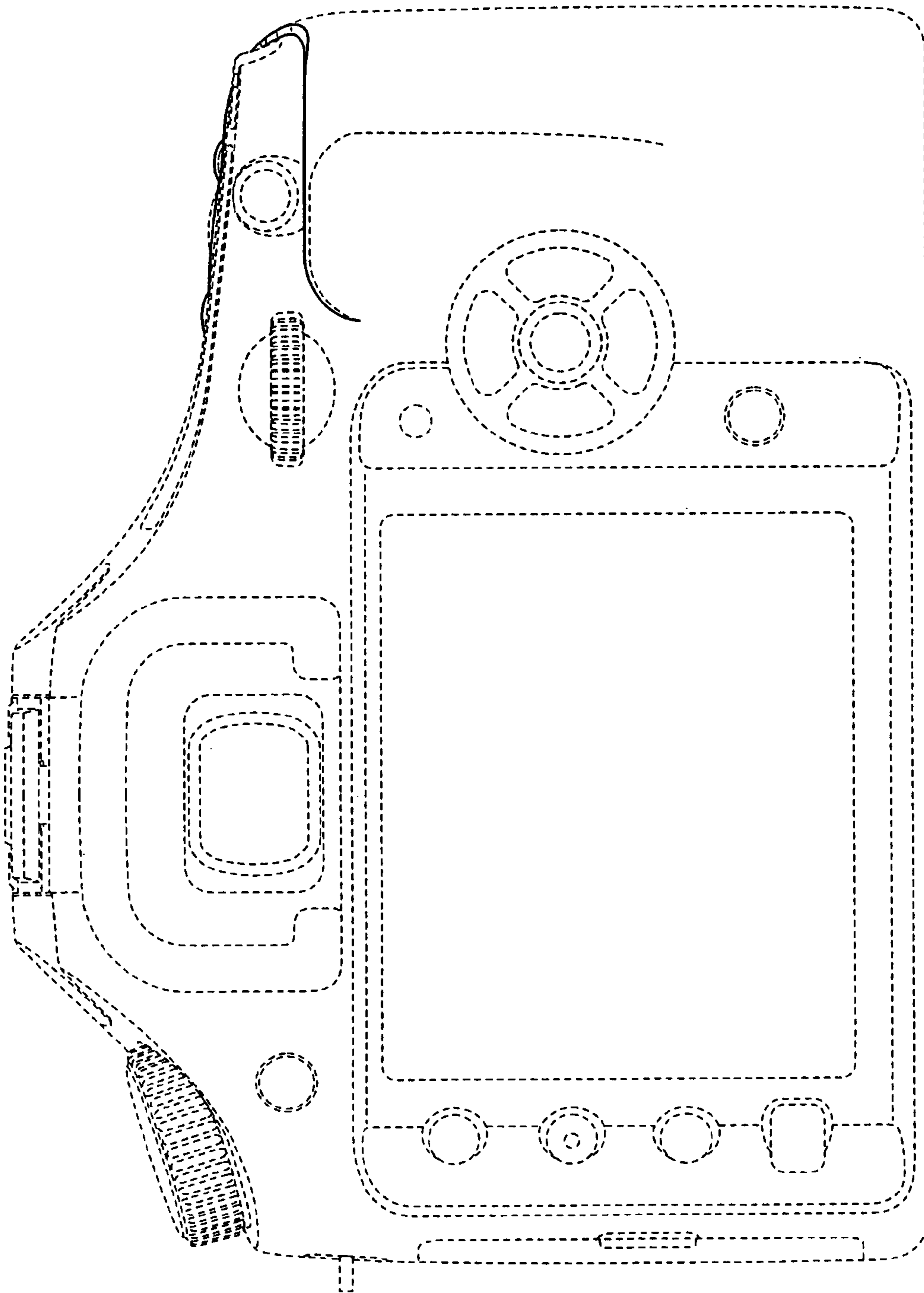


FIG. 4

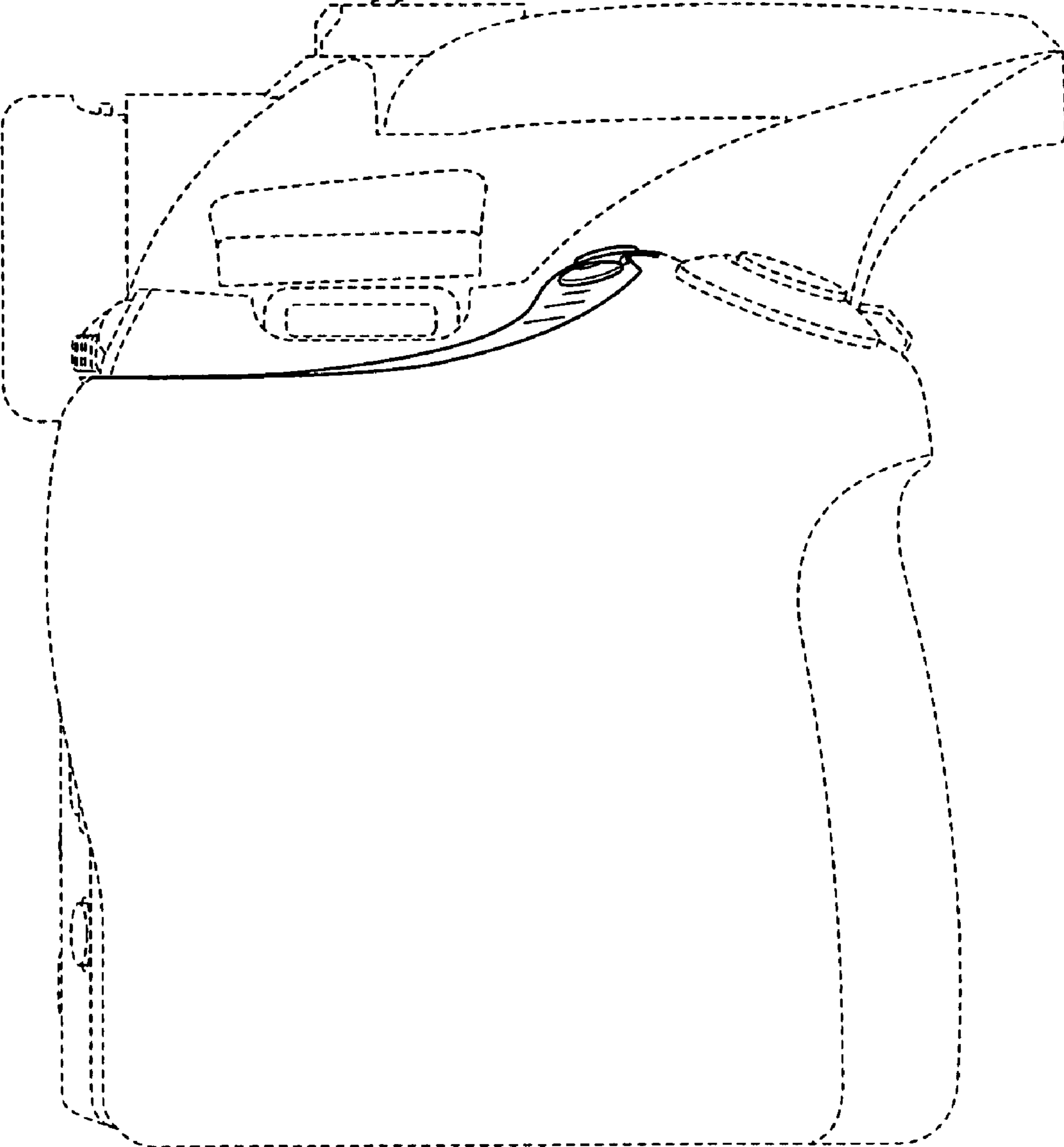


FIG. 5

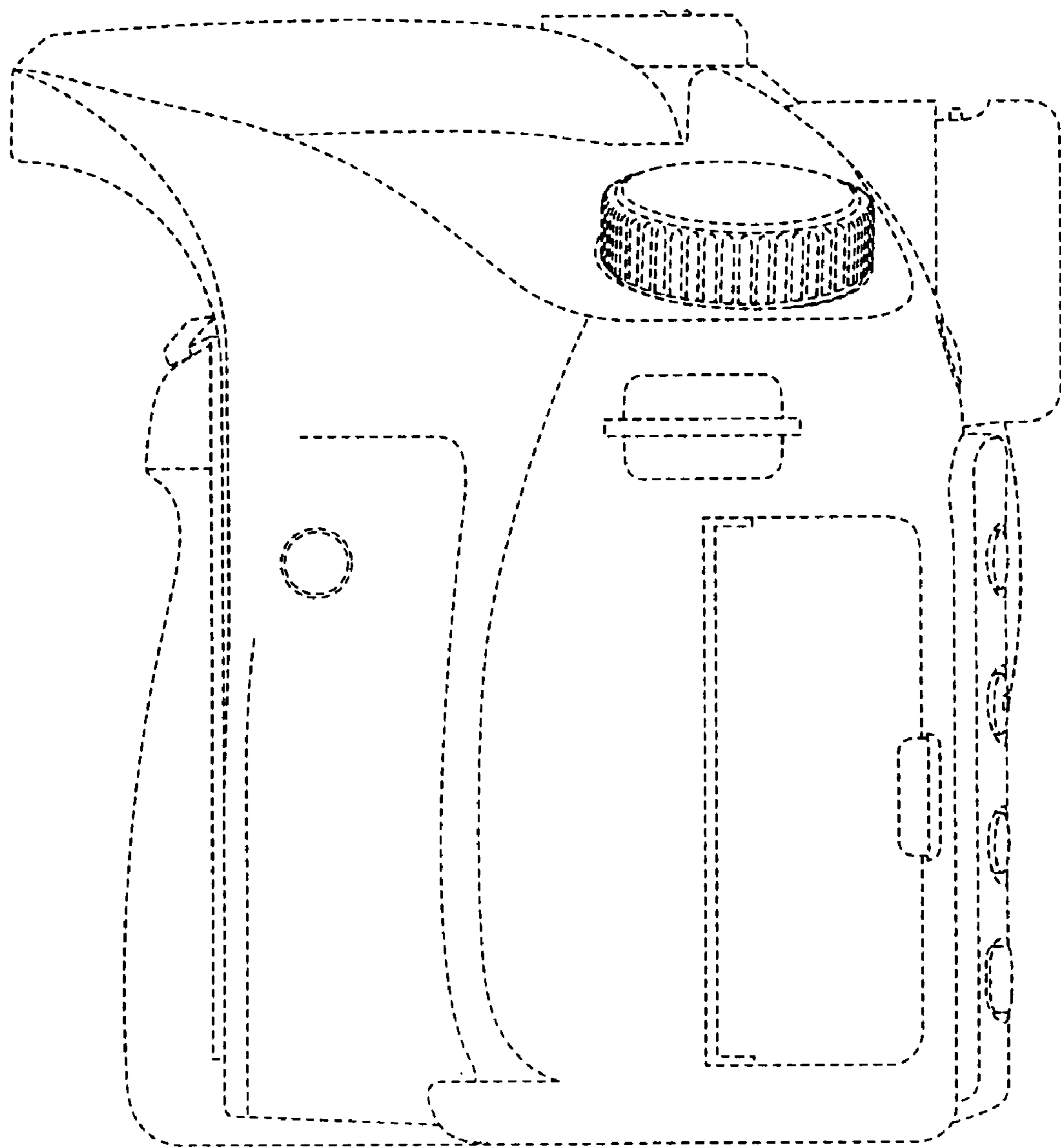


FIG. 6

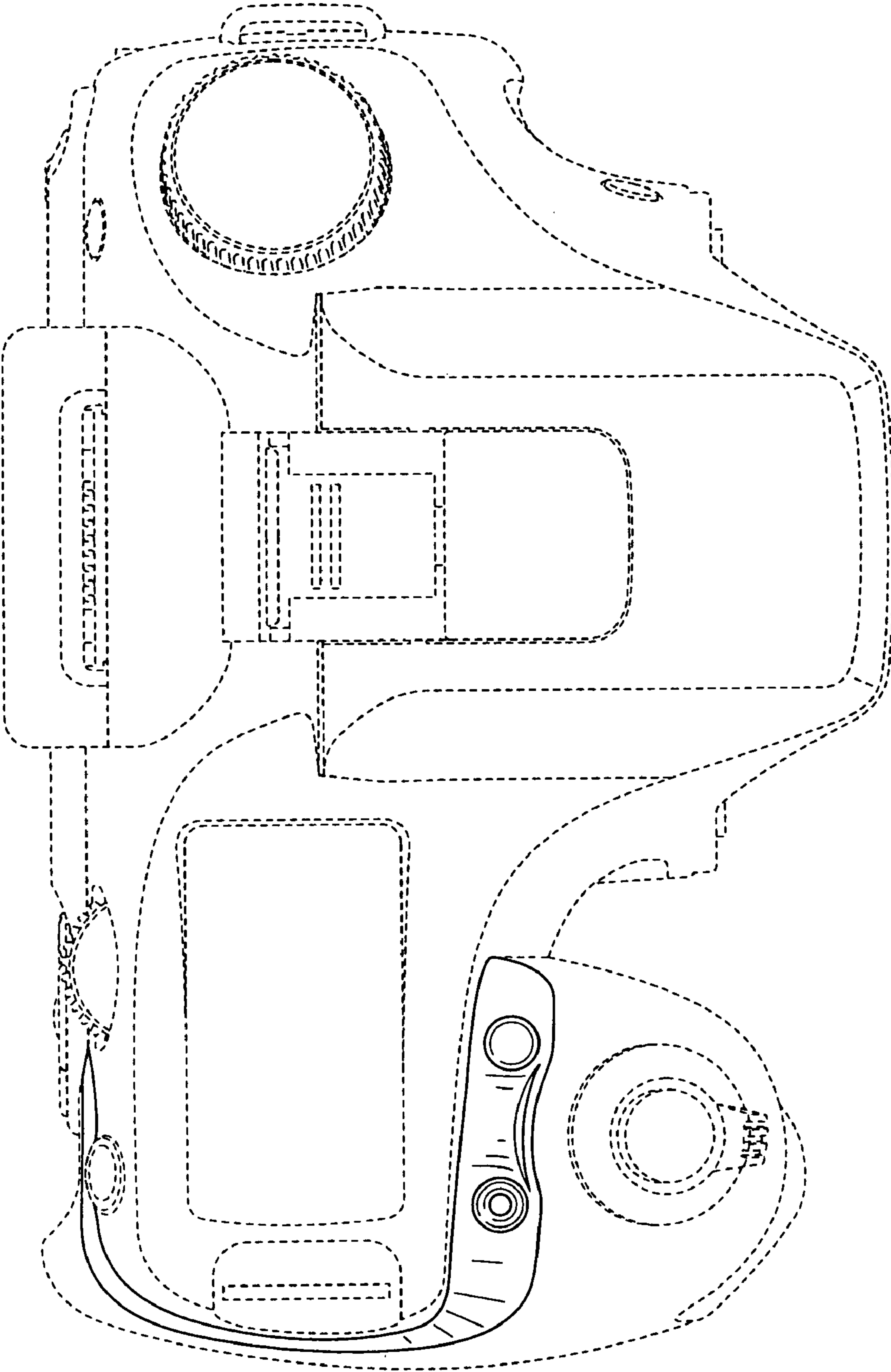


FIG. 7

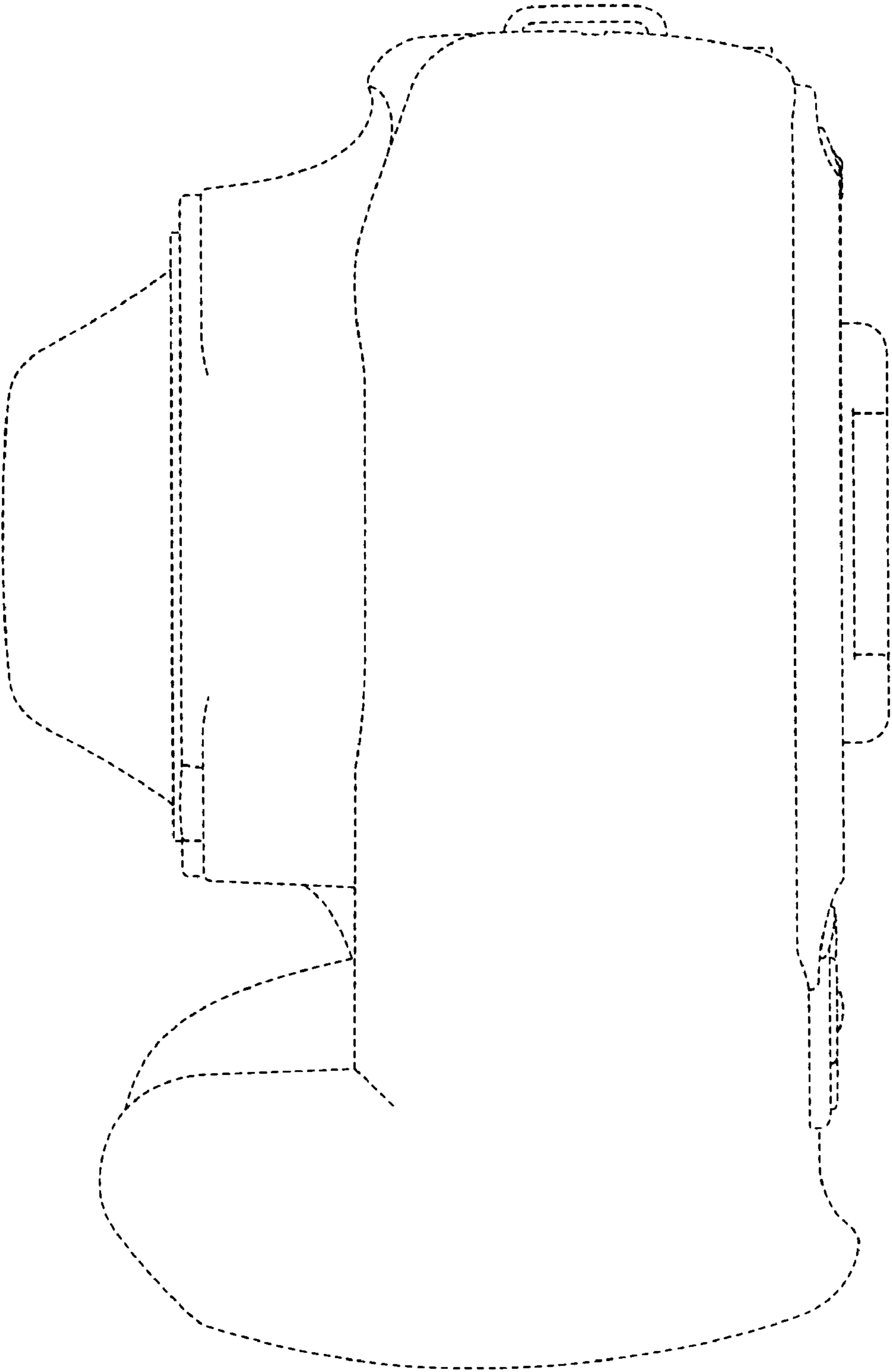


FIG. 8