



US00D591780S

(12) **United States Design Patent**  
**Pfaff**

(10) **Patent No.:** **US D591,780 S**

(45) **Date of Patent:** **\*\* May 5, 2009**

(54) **MOTOR DRIVEN RIDDLE, ESPECIALLY FOR COMPOST**

(75) Inventor: **Ernst Pfaff**, Ichenhausen (DE)

(73) Assignee: **Firma Scheppach Fabrikation von Holzbearbeitungsmaschinen GmbH**, Ichenhausen (DE)

(\*\*) Term: **14 Years**

(21) Appl. No.: **29/266,563**

(22) Filed: **Sep. 12, 2007**

(51) **LOC (9) Cl.** ..... **15-09**

(52) **U.S. Cl.** ..... **D15/147**

(58) **Field of Classification Search** ..... D15/10,  
D15/19, 147, 199; D21/371; 51/164.1; 56/1;  
209/284-286, 288, 291, 421; 220/5 A, 213,  
220/446; 248/128, 130; 273/144 R, 144 B;  
366/220, 225, 230

See application file for complete search history.

(56) **References Cited**

**U.S. PATENT DOCUMENTS**

87,001	A *	2/1869	Conover	209/284
105,840	A *	7/1870	Pitcher	209/288
179,229	A *	6/1876	Smith et al.	209/288
436,351	A *	9/1890	Gove	209/286
627,768	A *	6/1899	Abbot	209/286
741,974	A *	10/1903	Millard	209/284
877,808	A *	1/1908	Smailes	140/119
1,228,800	A *	6/1917	Marshall	209/284
2,296,851	A *	9/1942	Henry	209/284

2,454,662	A *	11/1948	Marsh	209/236
3,957,631	A *	5/1976	Santo	209/288
D265,094	S *	6/1982	Williams	D15/147
4,440,637	A *	4/1984	Smit et al.	209/421
4,487,323	A *	12/1984	Marrs	D15/147
D307,434	S *	4/1990	Payack et al.	D15/199
4,915,826	A *	4/1990	Nordhus	209/288
5,437,374	A *	8/1995	Bills et al.	209/288
5,733,450	A *	3/1998	Langner	209/288
6,019,227	A *	2/2000	May, III	209/284
D491,207	S *	6/2004	Gunderson	D15/147
6,892,516	B1 *	5/2005	Ardagna	56/1
2007/0119755	A1 *	5/2007	Freeman	209/284

\* cited by examiner

*Primary Examiner*—Sandra Snapp

*Assistant Examiner*—Patricia Palasik

(74) *Attorney, Agent, or Firm*—Bacon & Thomas, PLLC

(57) **CLAIM**

The ornamental design for a motor driven riddle, especially for compost, as shown and described.

**DESCRIPTION**

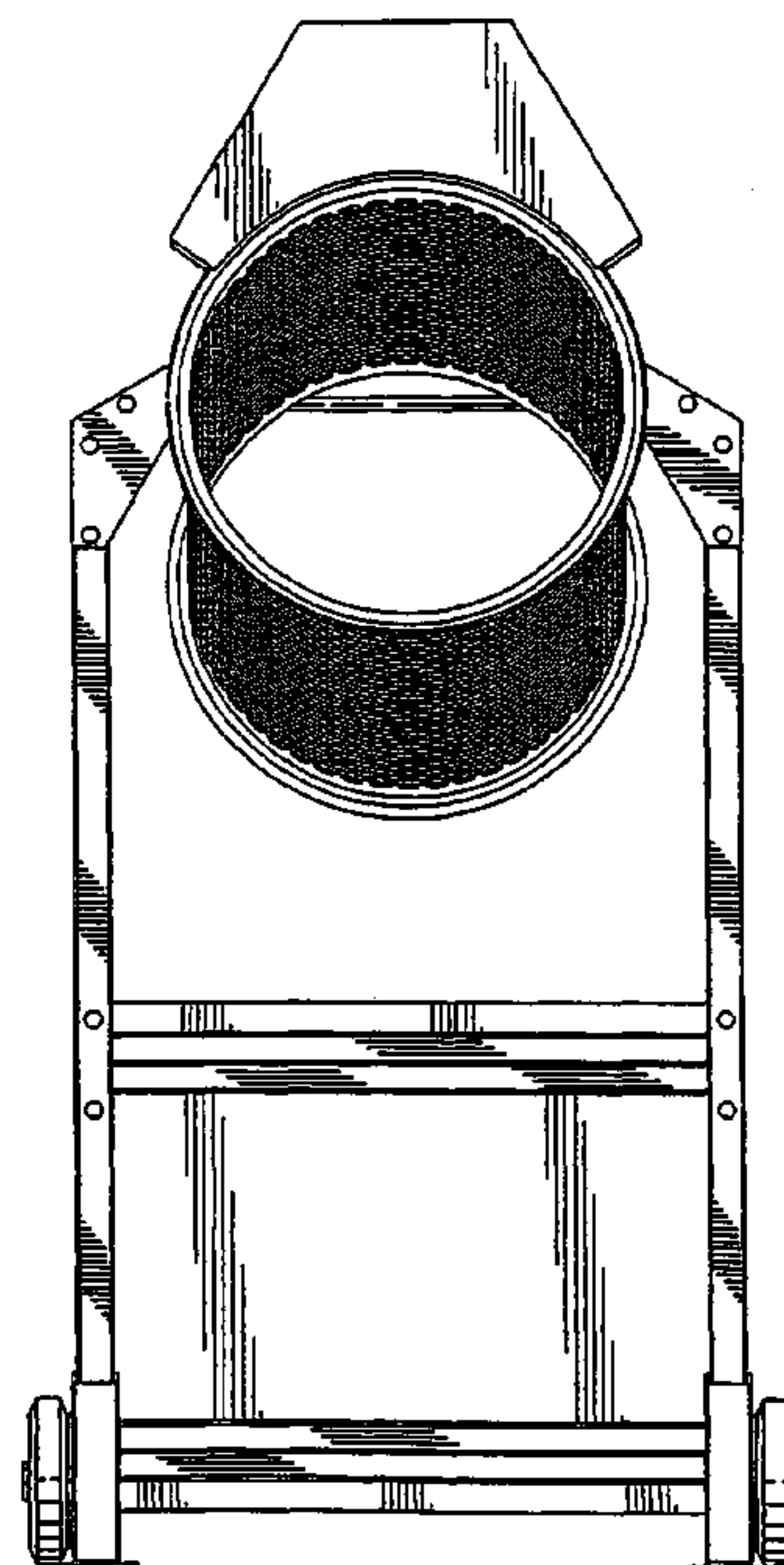
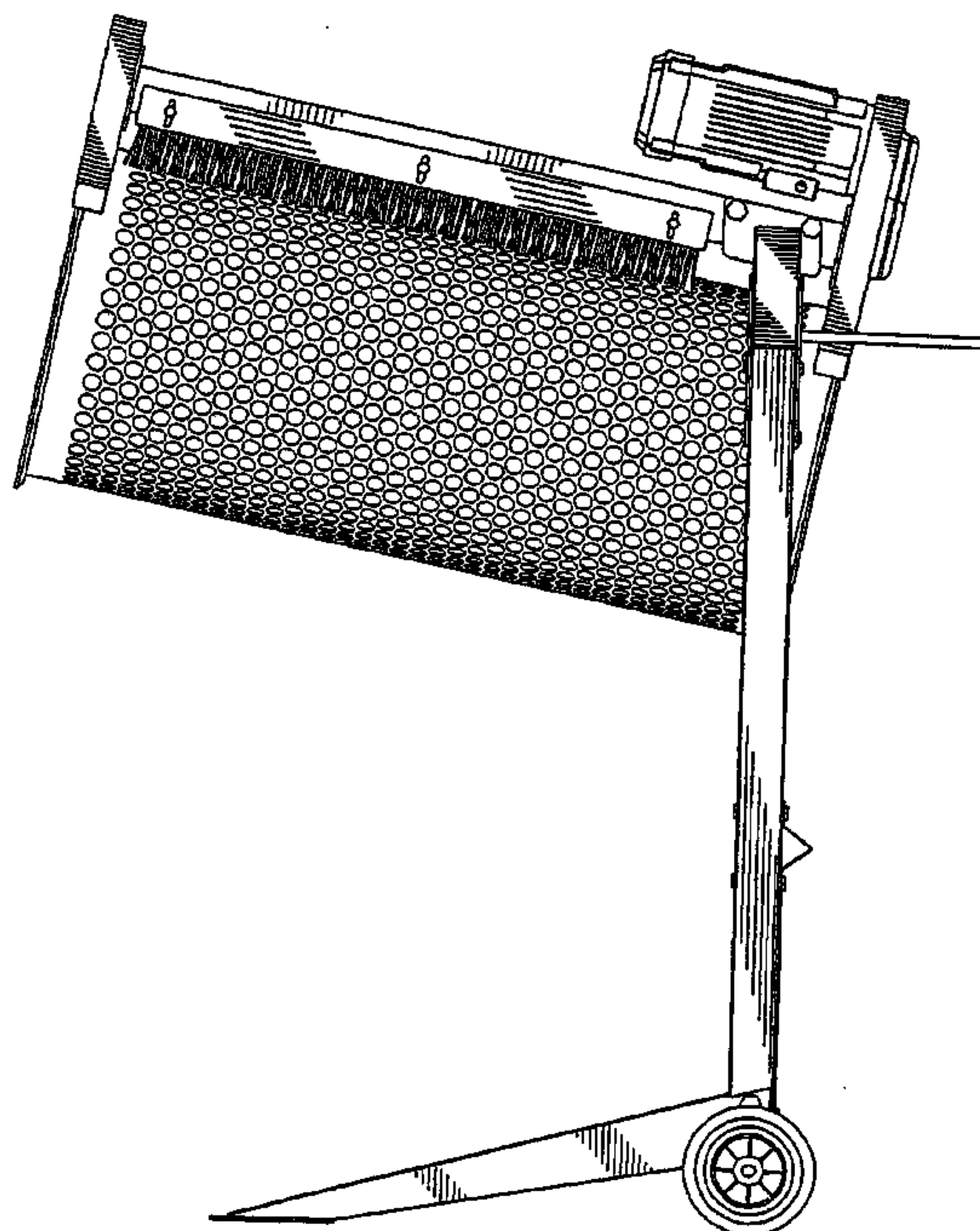
FIG. 1 is a side view of the motor driven riddle, especially for compost;

FIG. 2 is a view showing the output side; and,

FIG. 3 is a view showing the feeding side.

The broken line showing of the motor driven riddle, especially for compost is included for the purpose of illustrating portions of the motor driven riddle, especially for compost and forms no part of the claimed design.

**1 Claim, 3 Drawing Sheets**



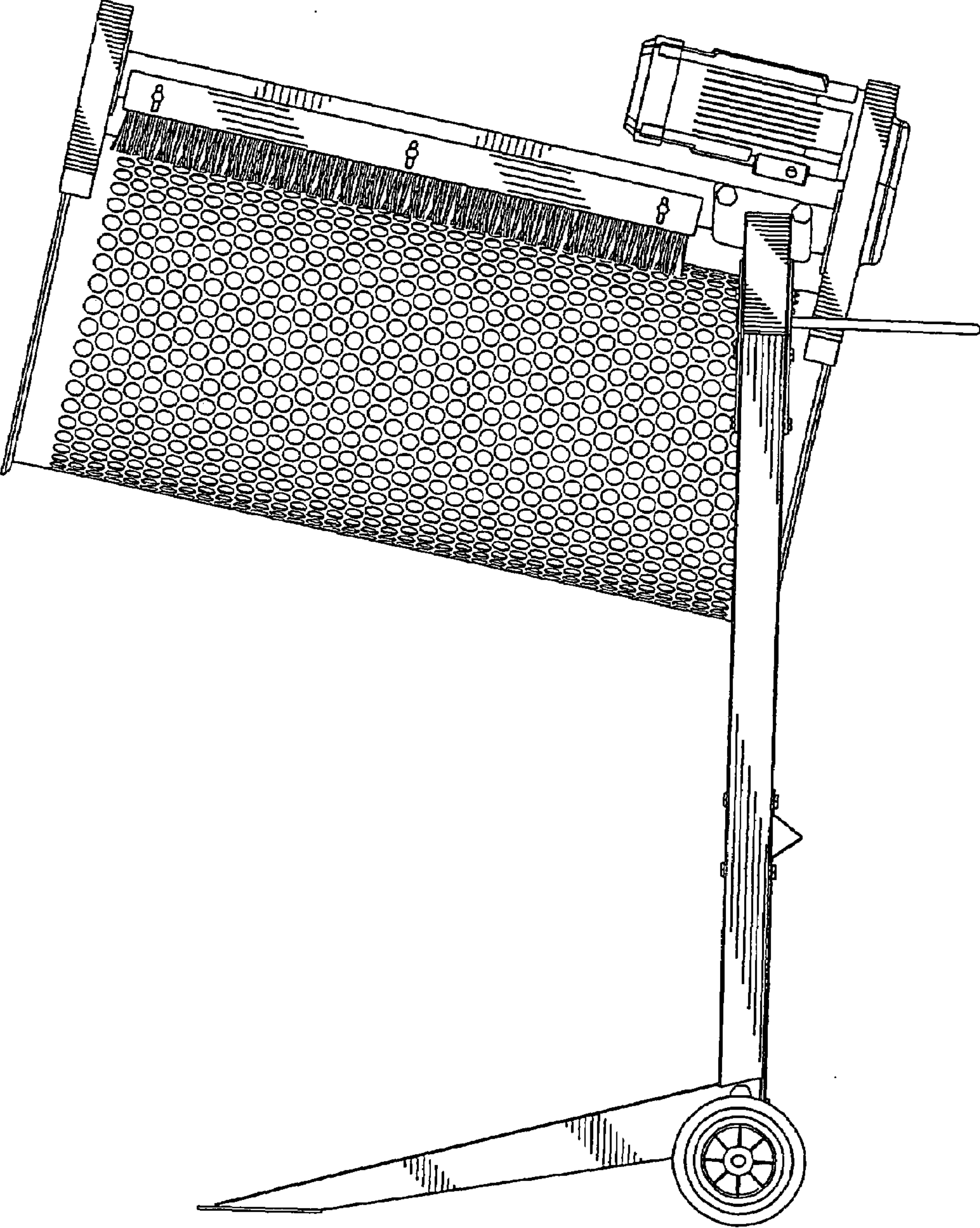


FIG. 1



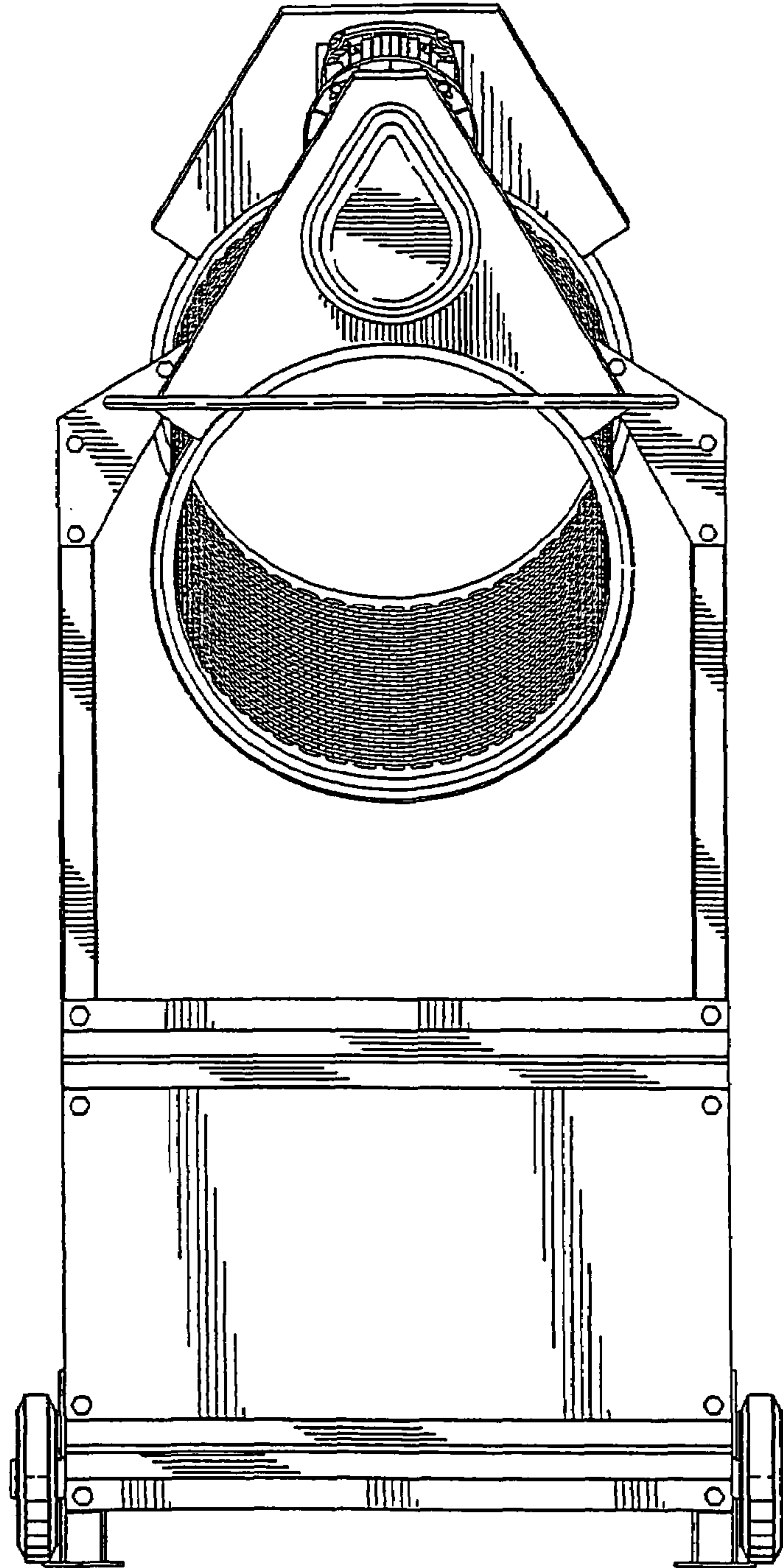


FIG.2

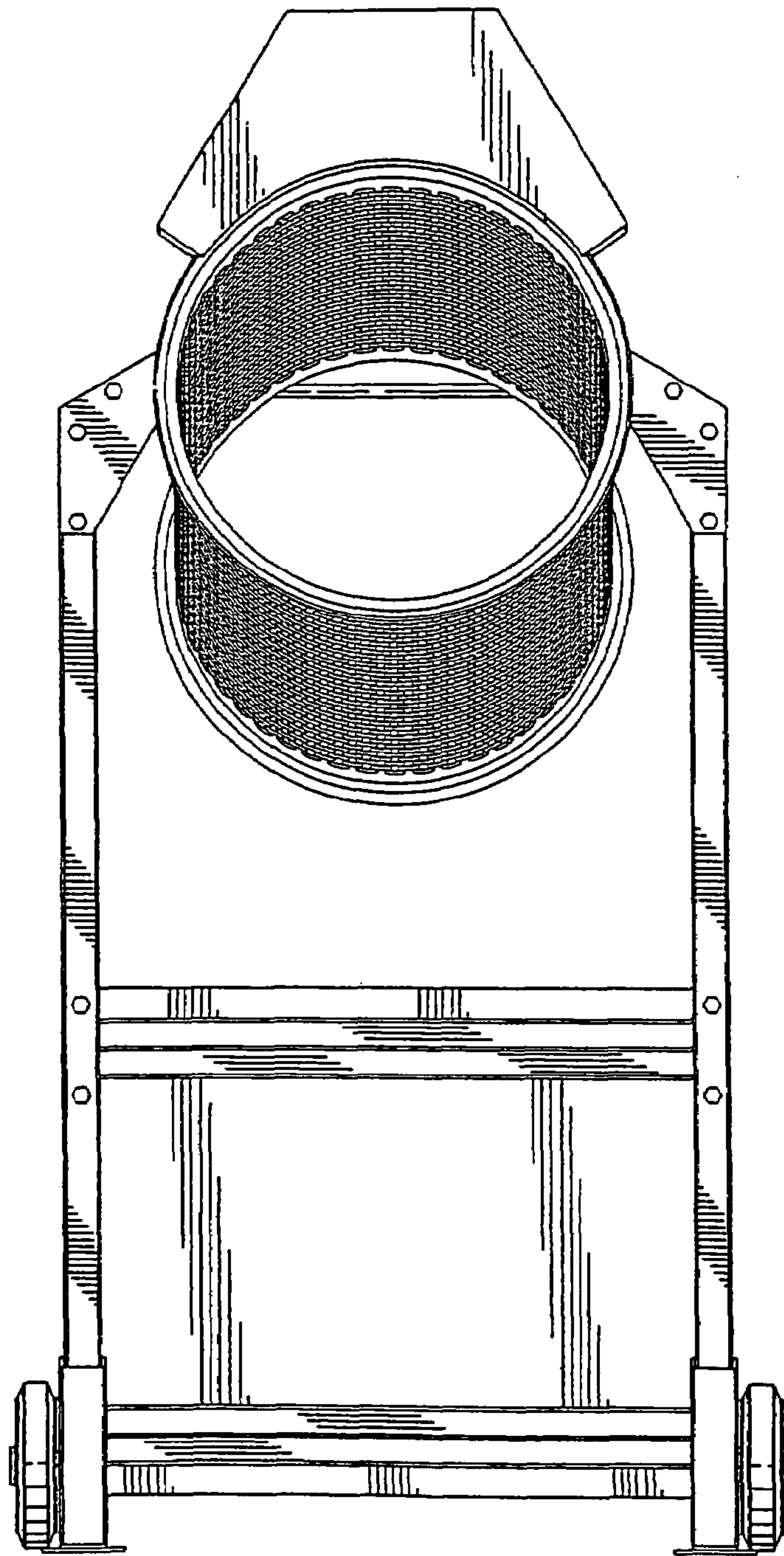


FIG.3