

US00D591778S

(12) **United States Design Patent**  
**Stephansky et al.**

(10) **Patent No.:** **US D591,778 S**

(45) **Date of Patent:** **\*\* May 5, 2009**

(54) **REFRACTORY BLOCK**

(75) Inventors: **John J. Stephansky**, Fair Oaks, PA  
(US); **John E. Berry**, Wexford, PA (US)

(73) Assignee: **Harbison-Walker Refractories**  
**Company**, Moon Township, PA (US)

(\*\*) Term: **14 Years**

(21) Appl. No.: **29/284,065**

(22) Filed: **Aug. 30, 2007**

**Related U.S. Application Data**

(63) Continuation of application No. 29/228,940, filed on  
Apr. 29, 2005.

(51) **LOC (9) Cl.** ..... **15-09**

(52) **U.S. Cl.** ..... **D15/123**

(58) **Field of Classification Search** ..... D15/123,  
D15/131; D25/113; D81/25; 52/250, 474,  
52/504, 506.02, 568, 574, 578, 596, 603-605,  
52/608, 609, 612; 110/332, 336, 338; 432/252,  
432/298

See application file for complete search history.

(56) **References Cited**

**U.S. PATENT DOCUMENTS**

1,813,790	A	7/1931	Wildish	.....	411/395
2,071,069	A	2/1937	Heitman	.....	52/562
2,463,217	A	3/1949	Tonneson	.....	52/509
2,527,063	A	10/1950	Heuer	.....	264/112
2,847,849	A	8/1958	Reintjes	.....	52/479
D198,114	S *	4/1964	Hall	.....	D25/113
3,181,278	A *	5/1965	Jones	.....	52/506.04
3,346,248	A *	10/1967	Martinet et al.	.....	D25/113
3,376,681	A	4/1968	Demaison	.....	52/508
3,380,211	A	4/1968	Snellman	.....	52/249
3,606,722	A	9/1971	Fitzpatrick	.....	52/747.13

3,624,733	A	11/1971	Eadie et al.	.....	110/99 R
3,762,123	A	10/1973	Potocnik et al.	.....	52/509
4,069,633	A *	1/1978	Cooper et al.	.....	52/596
4,112,648	A	9/1978	Suzuki et al.	.....	52/508
4,529,178	A	7/1985	Hosbein et al.	.....	266/283
4,615,554	A	10/1986	Schilla et al.	.....	294/89
4,840,131	A	6/1989	Meumann et al.	.....	110/336
5,117,604	A *	6/1992	Bly et al.	.....	52/509
5,647,185	A *	7/1997	Forlini	.....	52/604
5,704,781	A *	1/1998	Swoboda	.....	432/119
D403,437	S *	12/1998	Risi et al.	.....	D25/113
6,763,981	B2	7/2004	Peretz et al.	.....	222/594
D516,734	S *	3/2006	Keys et al.	.....	D25/113
D567,829	S *	4/2008	Stephansky et al.	.....	D15/123
2005/0252145	A1 *	11/2005	MacDonald et al.	.....	52/603

\* cited by examiner

*Primary Examiner*—Sandra Snapp

*Assistant Examiner*—Patricia Palasik

(74) *Attorney, Agent, or Firm*—Kusner & Jaffe

(57) **CLAIM**

The ornamental design for the refractory block, as shown as described.

**DESCRIPTION**

FIG. 1 is a front, perspective view of a refractory block showing our new design;

FIG. 2 is a back, perspective view thereof;

FIG. 3 is a front view thereof;

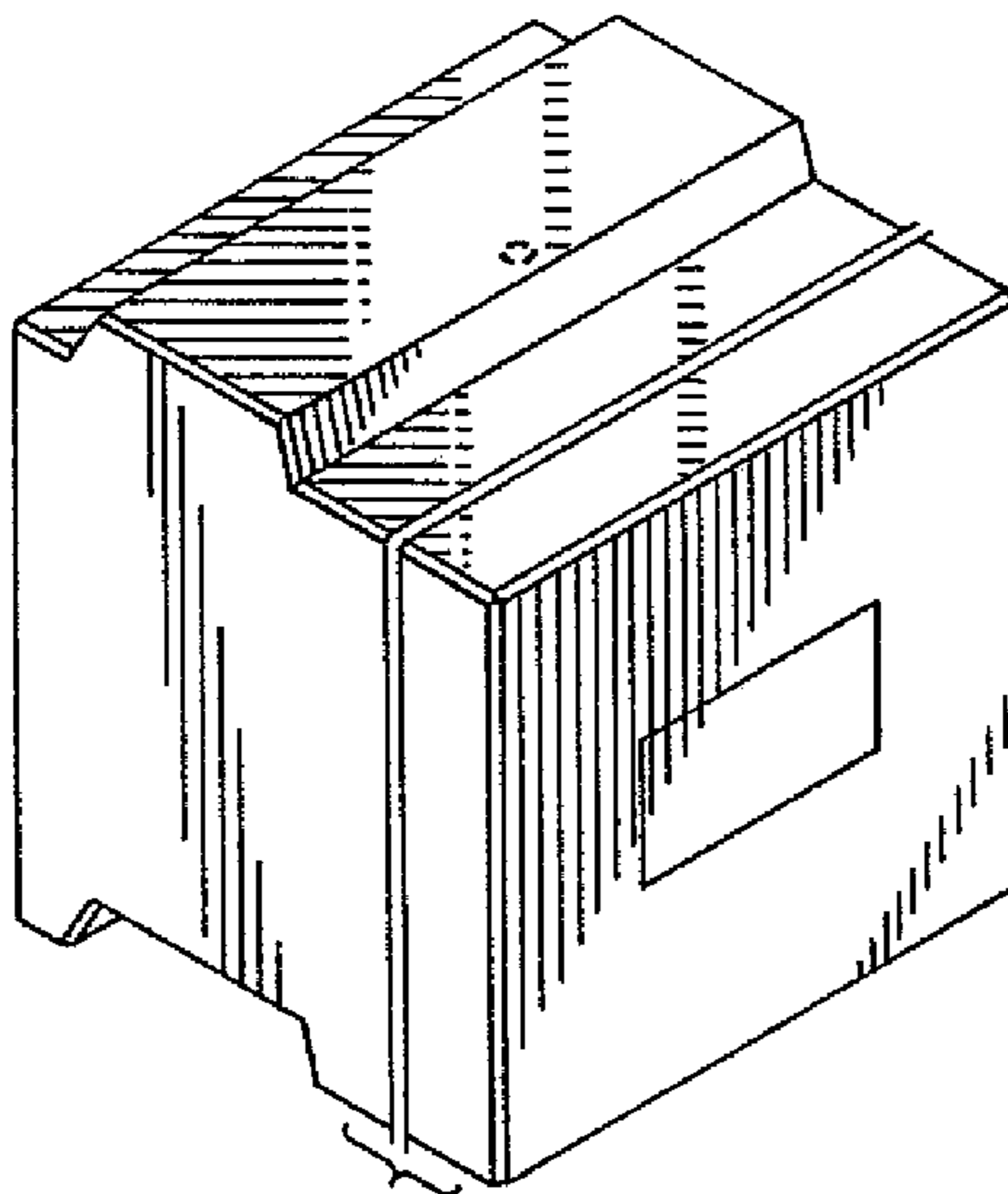
FIG. 4 is a right side view thereof, the left side being a mirror image thereof;

FIG. 5 is a top view thereof;

FIG. 6 is a back view thereof; and,

FIG. 7 is a bottom view thereof, the separation and bracket shown in FIGS. 1, 2, 4, 5 and 7 indicating that the depth of the refractory block from the front face may vary.

**1 Claim, 2 Drawing Sheets**



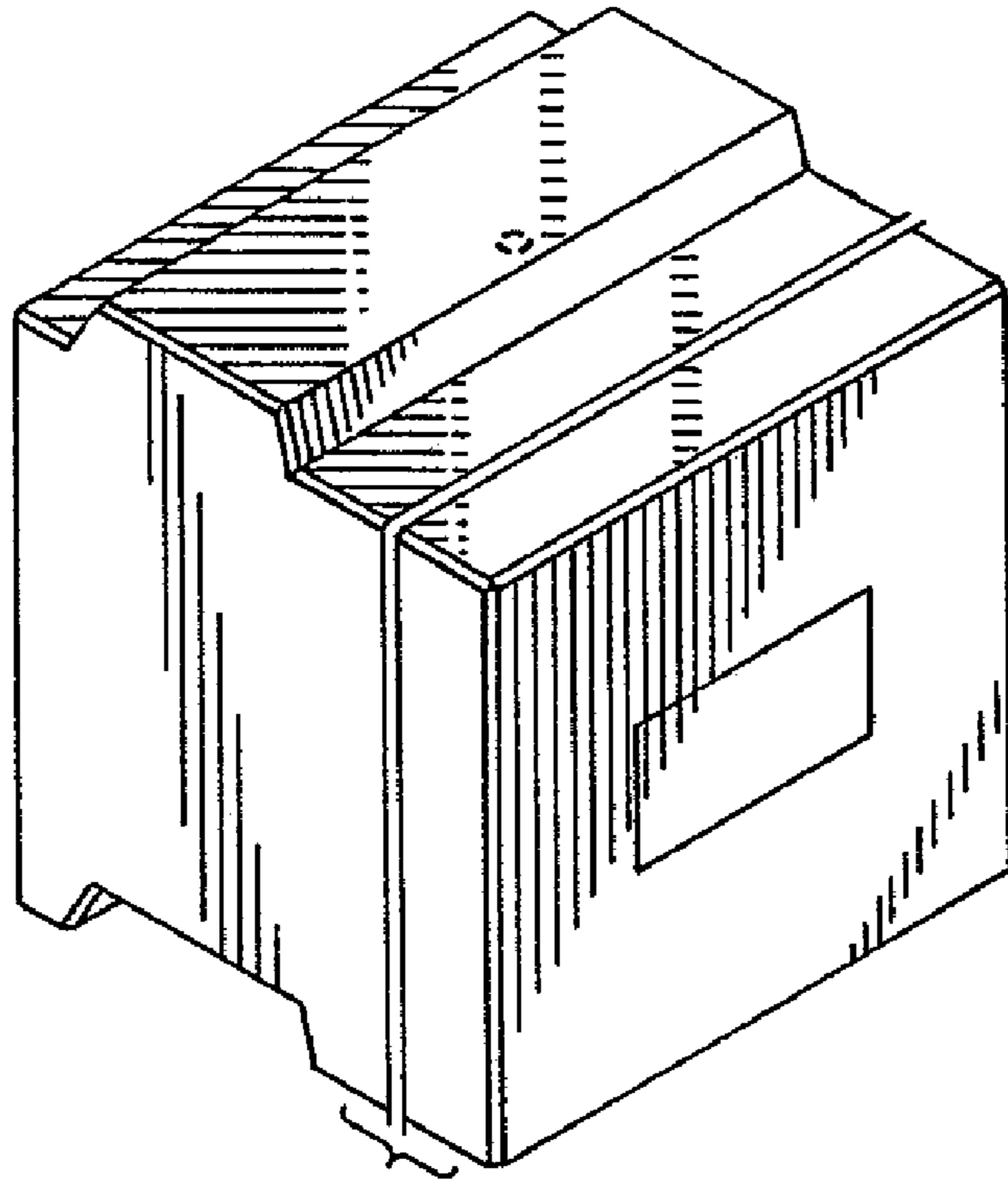


FIG. 1

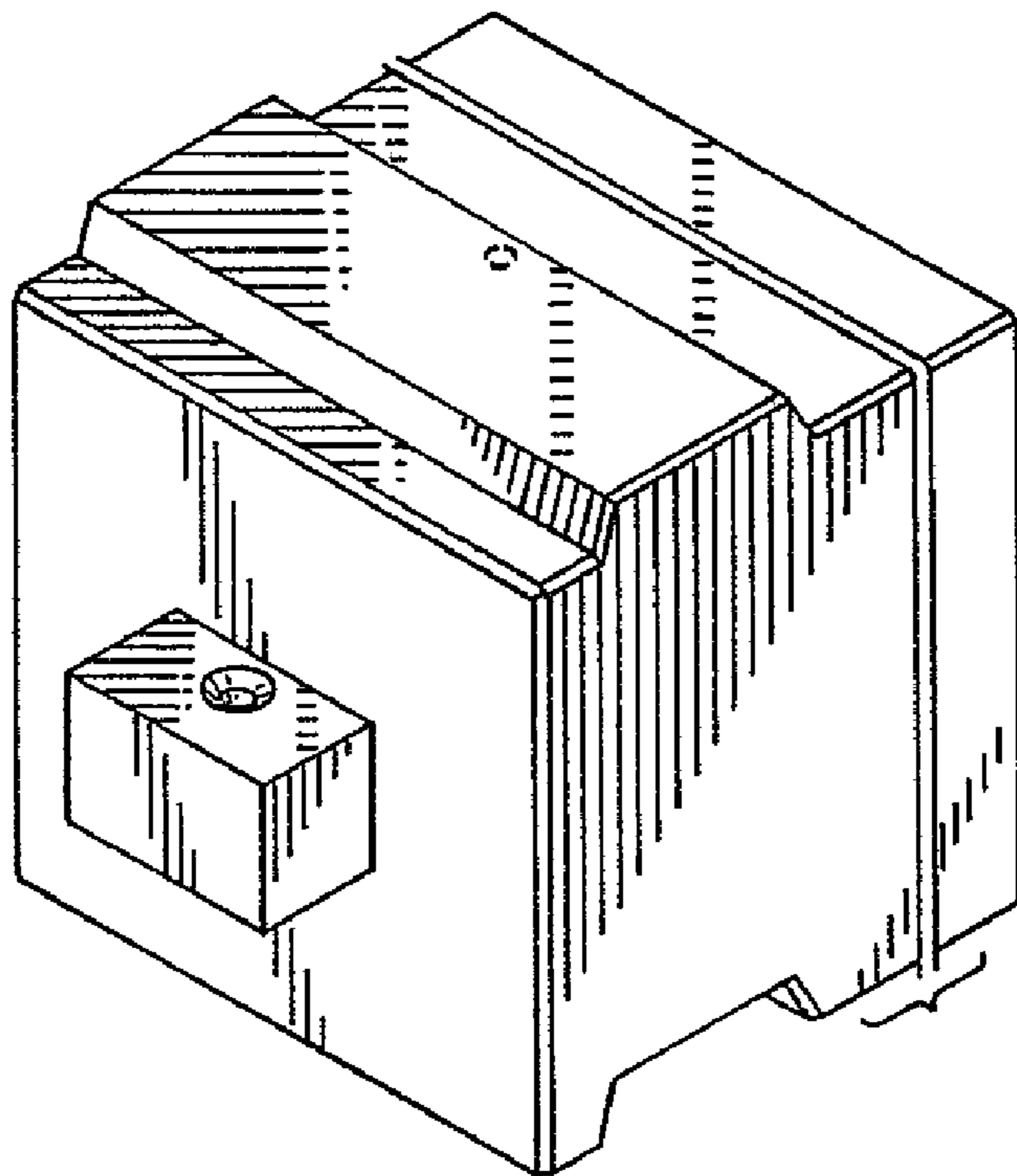


FIG. 2

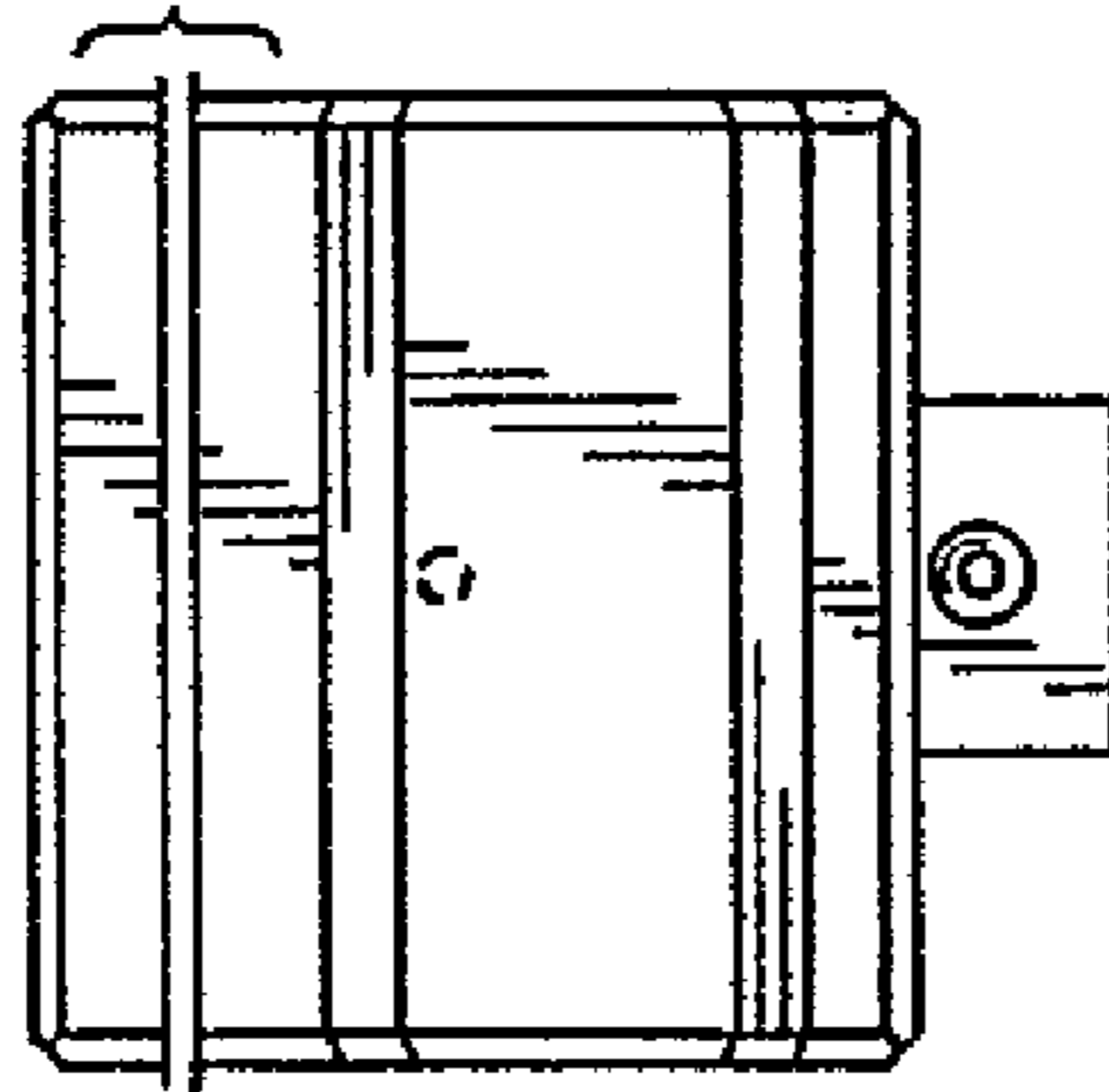


FIG. 5

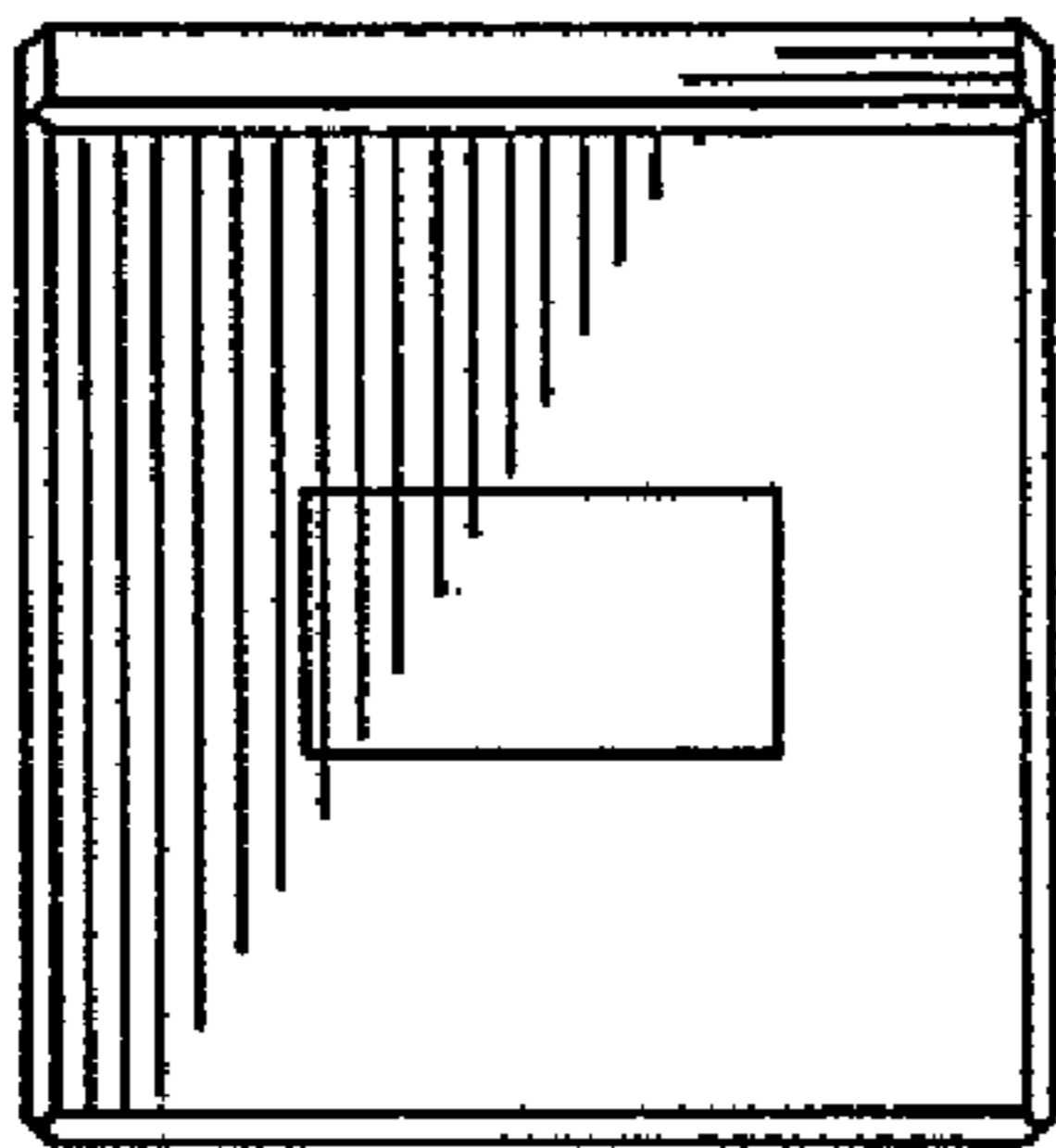


FIG. 3

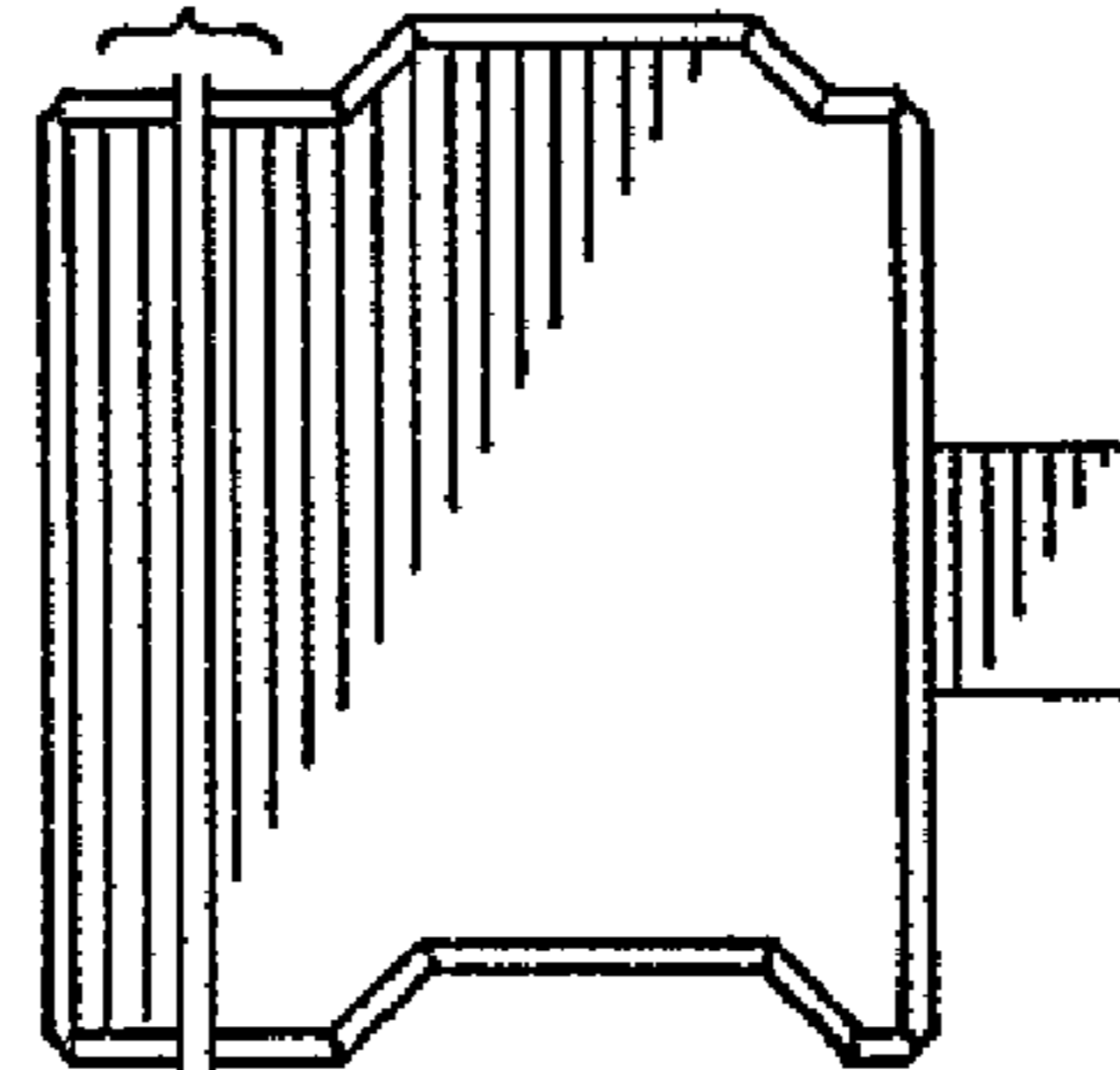


FIG. 4

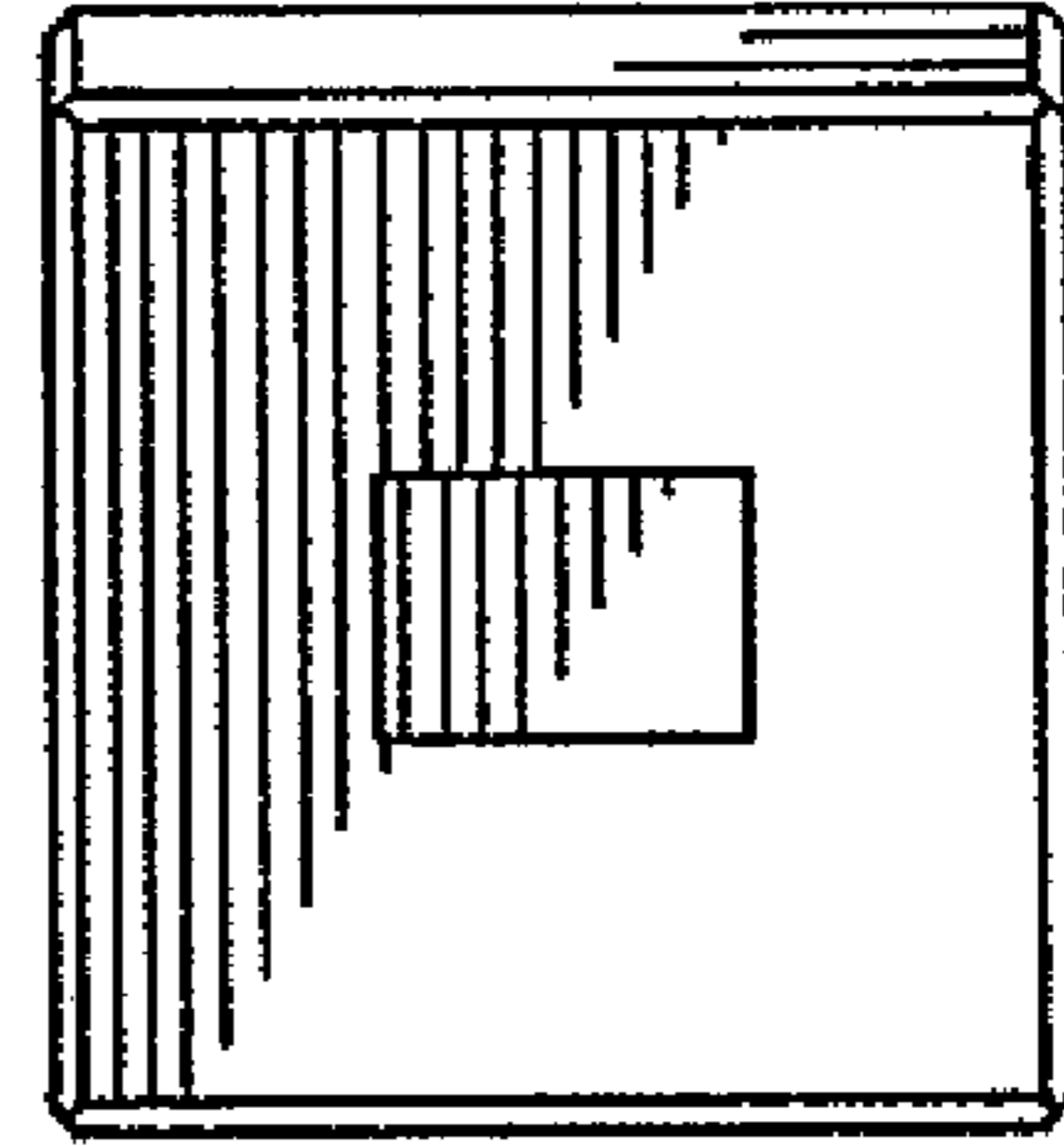


FIG. 6

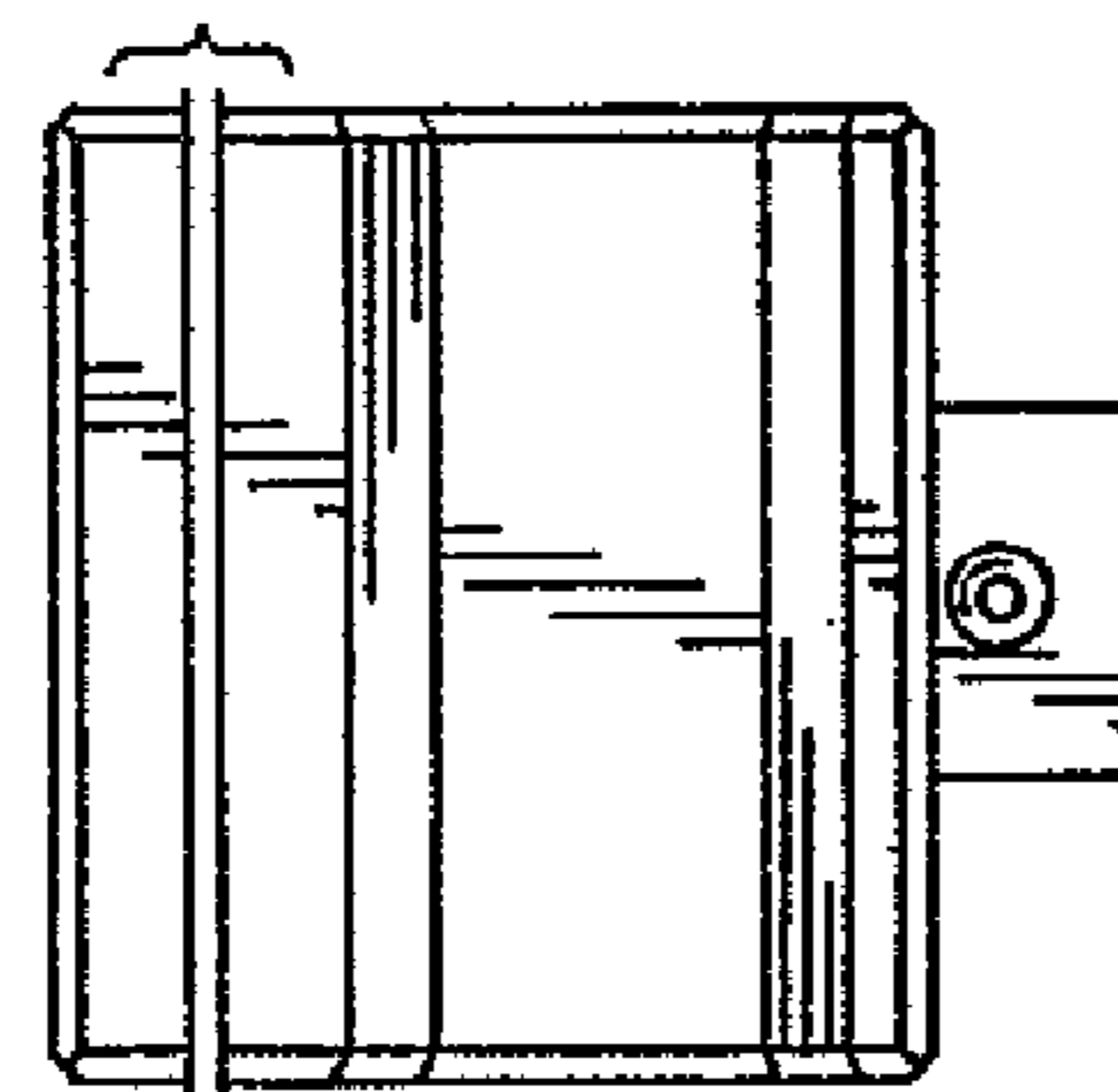


FIG. 7