



US00D591777S

(12) **United States Design Patent**
Kokitkar et al.

(10) **Patent No.:** **US D591,777 S**
(45) **Date of Patent:** **** May 5, 2009**

(54) **TRACTOR HOOD ASSEMBLY**

(75) Inventors: **Sachin Shivaji Kokitkar**, Pin (IN);
Rajendrakumar N. Mohite, Mumbai
(IN); **Ibrahim Hasan Mulla**, Mumbai
(IN)

(73) Assignee: **Mahirdra & Mahirdra Ltd.**, Mumbai,
Maharashtra (IN)

(**) Term: **14 Years**

(21) Appl. No.: **29/305,670**

(22) Filed: **Mar. 26, 2008**

(30) **Foreign Application Priority Data**

Sep. 27, 2007 (IN) 212663

(51) **LOC (9) Cl.** **15-03**

(52) **U.S. Cl.** **D15/31**

(58) **Field of Classification Search** D15/10,
D15/11, 13-17, 28, 22-26, 31; D12/173;
56/13.3, 13.4, 15.8, 15.9, 320.1; 180/89.1,
180/89.12, 900, 69.2, 68.1, 69.1

See application file for complete search history.

(56) **References Cited**

U.S. PATENT DOCUMENTS

D381,341 S	*	7/1997	Goebert et al.	D15/31
D383,470 S	*	9/1997	Westimayer et al.	D15/31
D389,492 S	*	1/1998	Schmidt et al.	D15/31
D410,012 S	*	5/1999	Goebert et al.	D15/31
D447,492 S	*	9/2001	Goebert et al.	D15/31
D465,500 S	*	11/2002	Workman et al.	D15/31
D473,882 S	*	4/2003	Kuwae	D15/31
D474,206 S	*	5/2003	Kuwae	D15/31
D483,383 S	*	12/2003	Crookes et al.	D15/31
D488,488 S	*	4/2004	Montgomery et al.	D15/31
D488,489 S	*	4/2004	Montgomery et al.	D15/31
D495,345 S	*	8/2004	Farlow et al.	D15/31

D497,370 S	*	10/2004	Katoh	D15/31
D511,175 S	*	11/2005	Staines et al.	D15/31
D512,079 S	*	11/2005	Farlow et al.	D15/31
D521,532 S	*	5/2006	Higashikawa	D15/31
D527,742 S	*	9/2006	Kuwae	D15/31
D532,021 S	*	11/2006	Kuwae et al.	D15/17
D533,882 S	*	12/2006	Higashikawa	D15/31
D537,090 S	*	2/2007	Kuwae	D15/31
D537,455 S	*	2/2007	Kuwae et al.	D15/31
D546,351 S	*	7/2007	Arthur et al.	D15/31
D553,161 S	*	10/2007	Matsumoto	D15/32
D554,669 S	*	11/2007	Crookes et al.	D15/31
D557,714 S	*	12/2007	Higashikawa	D15/31
D558,799 S	*	1/2008	Higashikawa	D15/31

* cited by examiner

Primary Examiner—Stella M Reid

Assistant Examiner—Mark A Goodwin

(74) *Attorney, Agent, or Firm*—George W. Moxon, II;
Roetzel & Andress

(57) **CLAIM**

The ornamental design for a tractor hood assembly, as shown and described.

DESCRIPTION

FIG. 1 is a top front left side perspective view of the tractor hood assembly showing our new design;

FIG. 2 is an enlarged a front view thereof;

FIG. 3 is a right side view thereof;

FIG. 4 is a top view thereof;

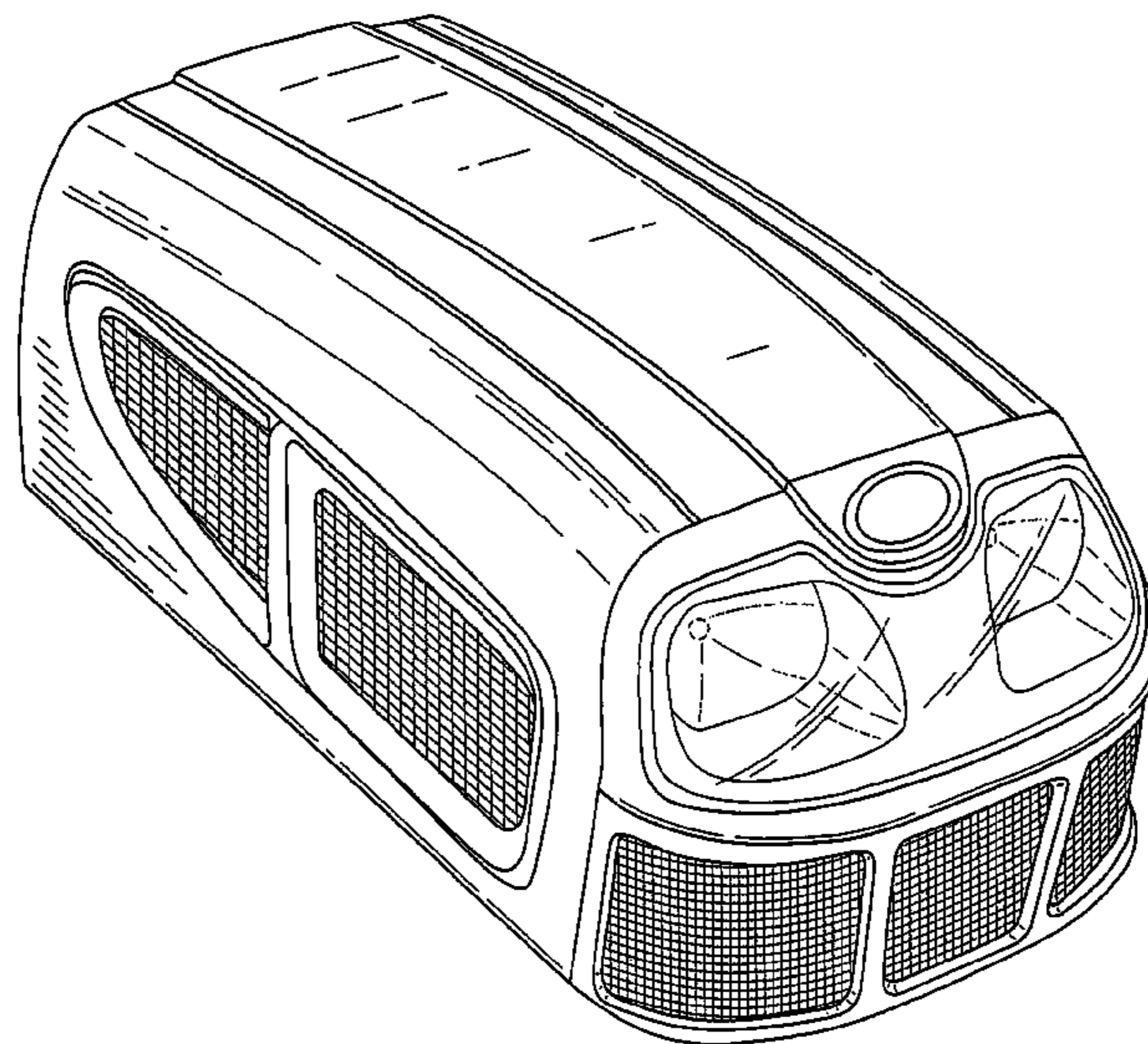
FIG. 5 is a bottom view thereof;

FIG. 6 is an enlarged a rear view thereof; and,

FIG. 7 is a left side view thereof.

The broken line showing of the tractor hood assembly is included for the purpose of illustrating environmental structure and forms no part of the claimed design.

1 Claim, 7 Drawing Sheets



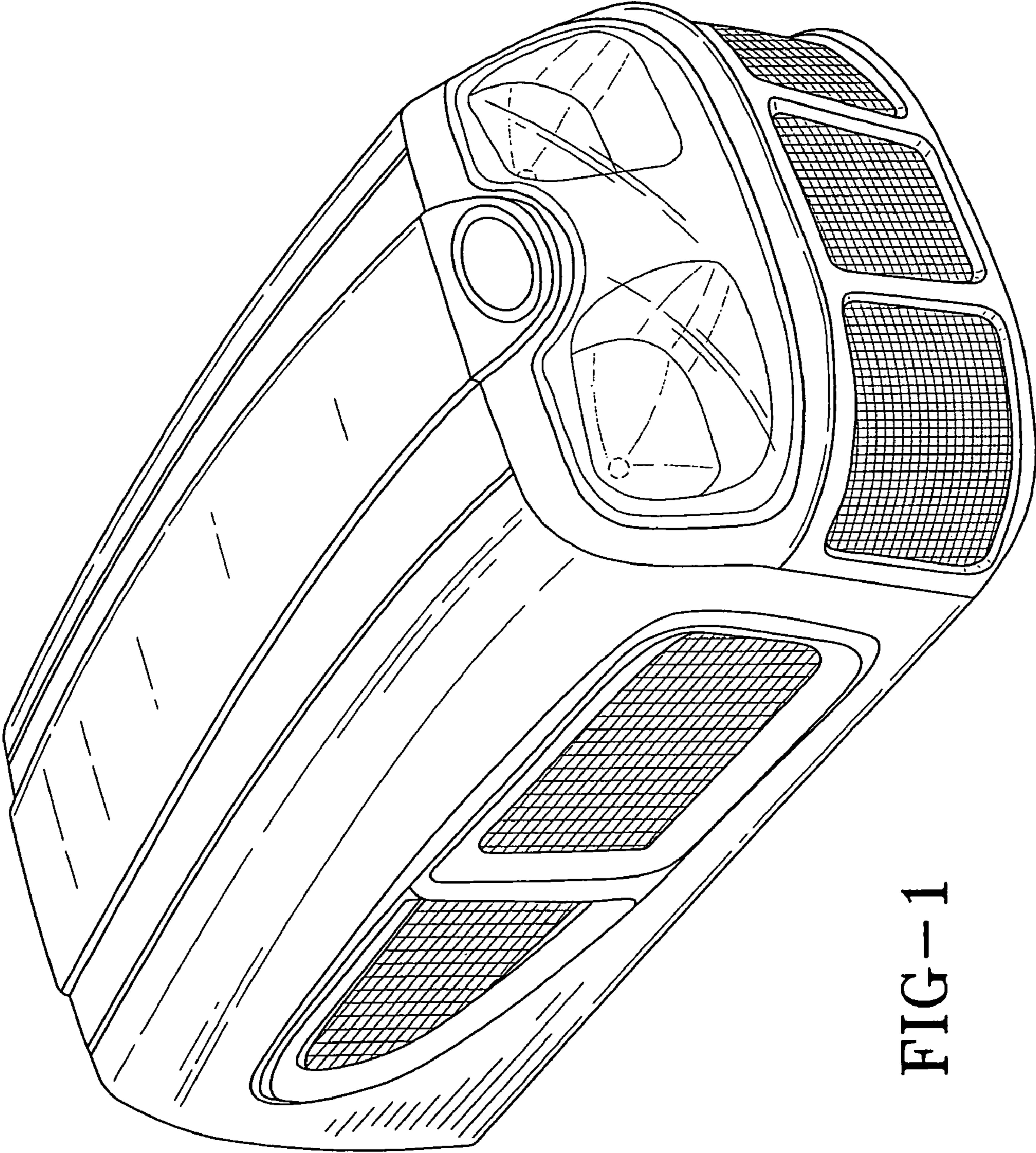


FIG-1

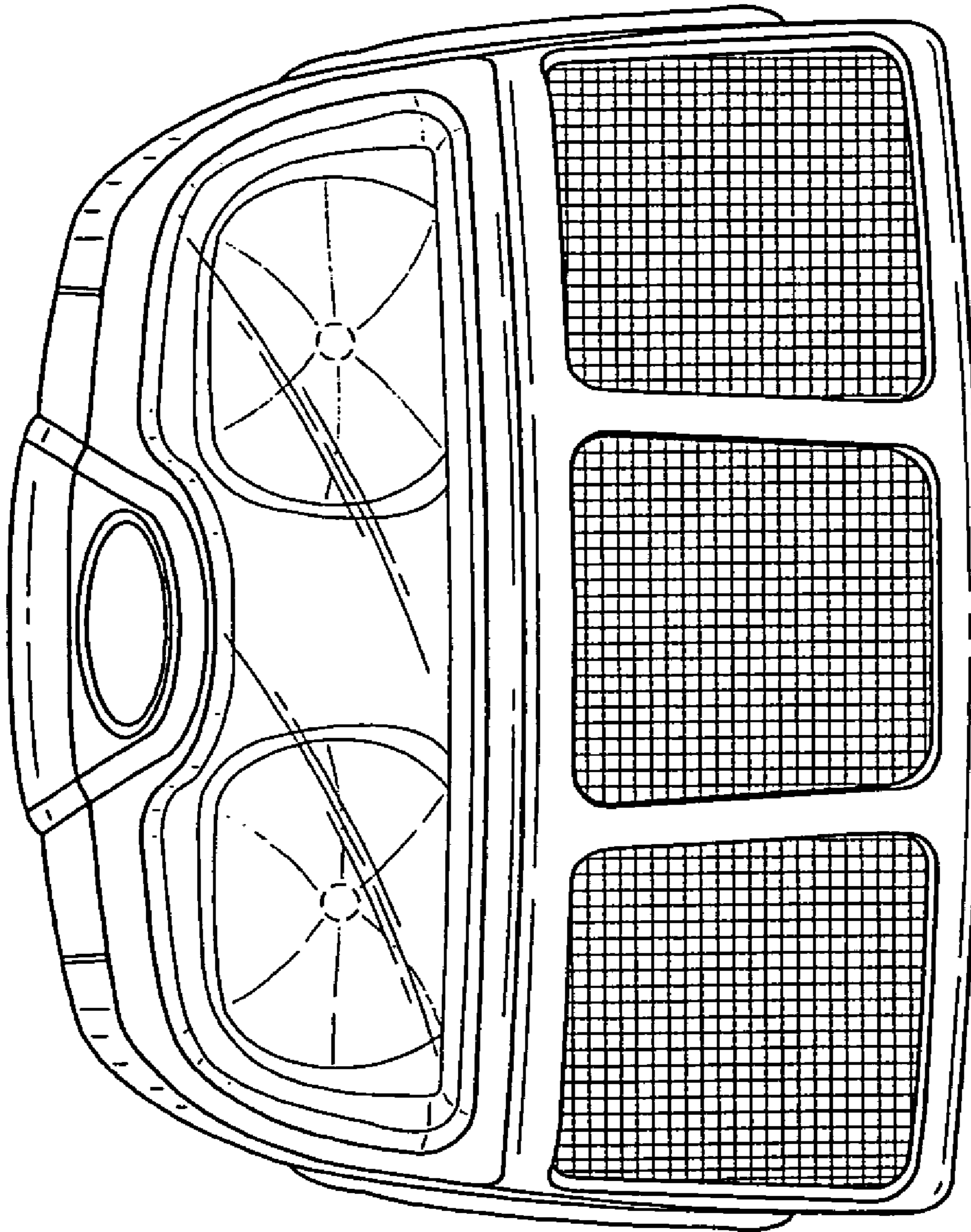


FIG-2

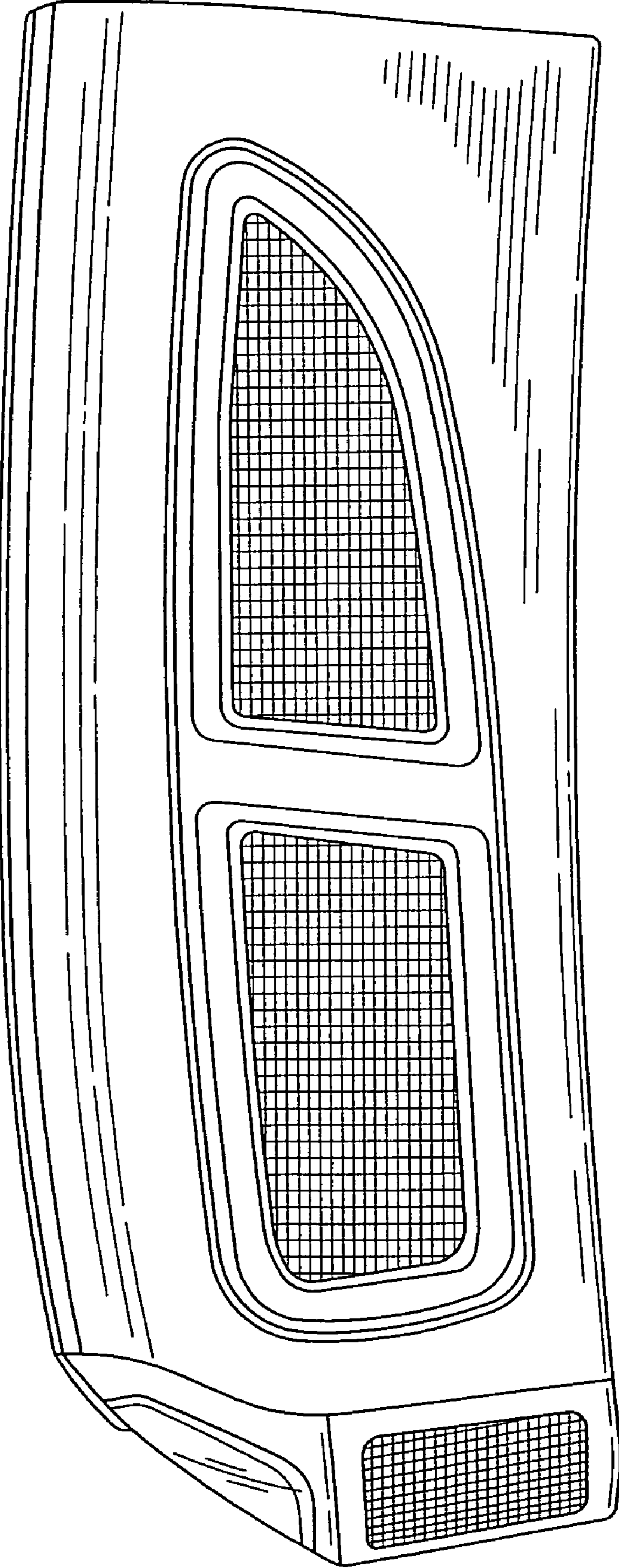


FIG-3

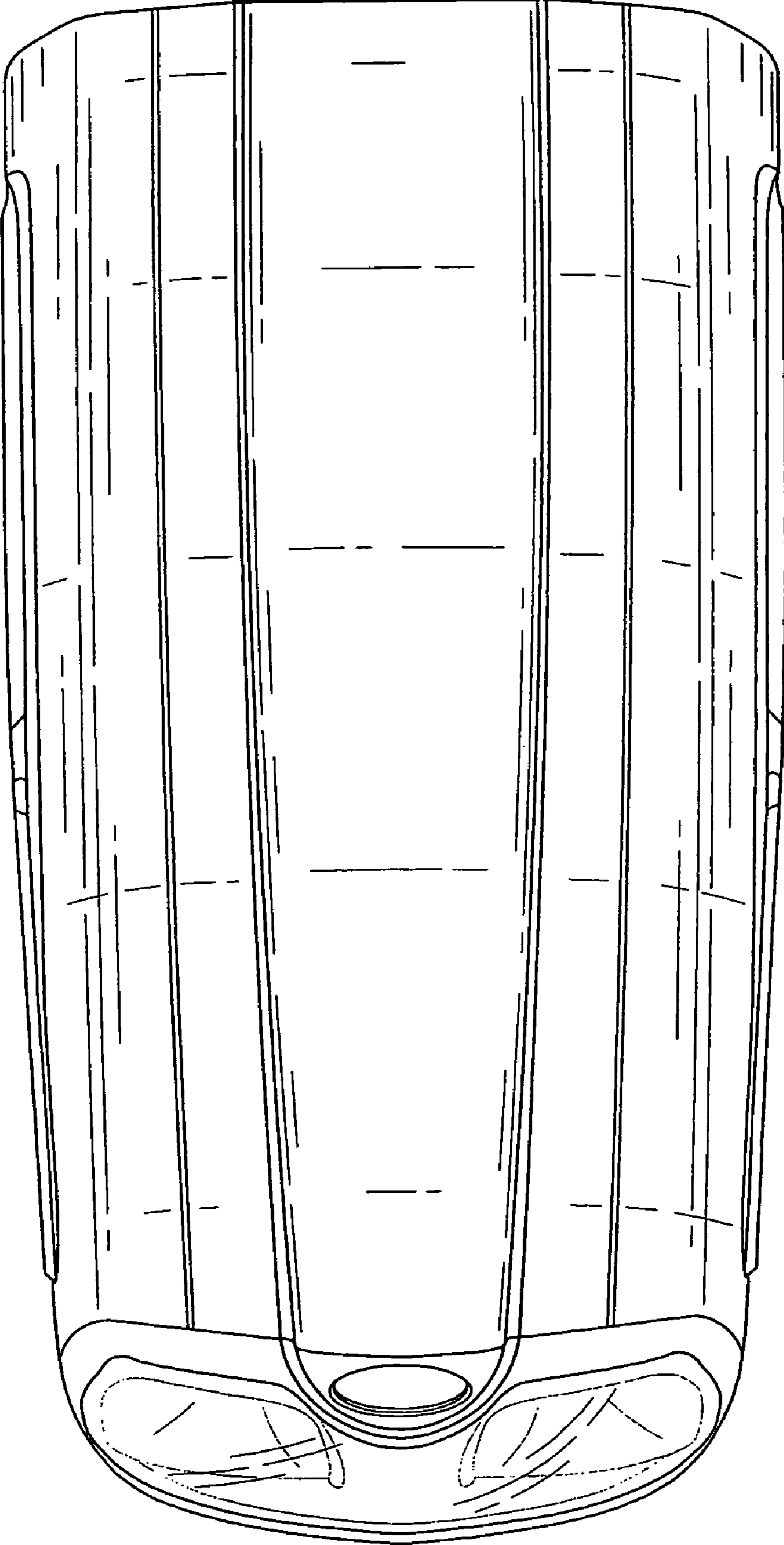


FIG-4

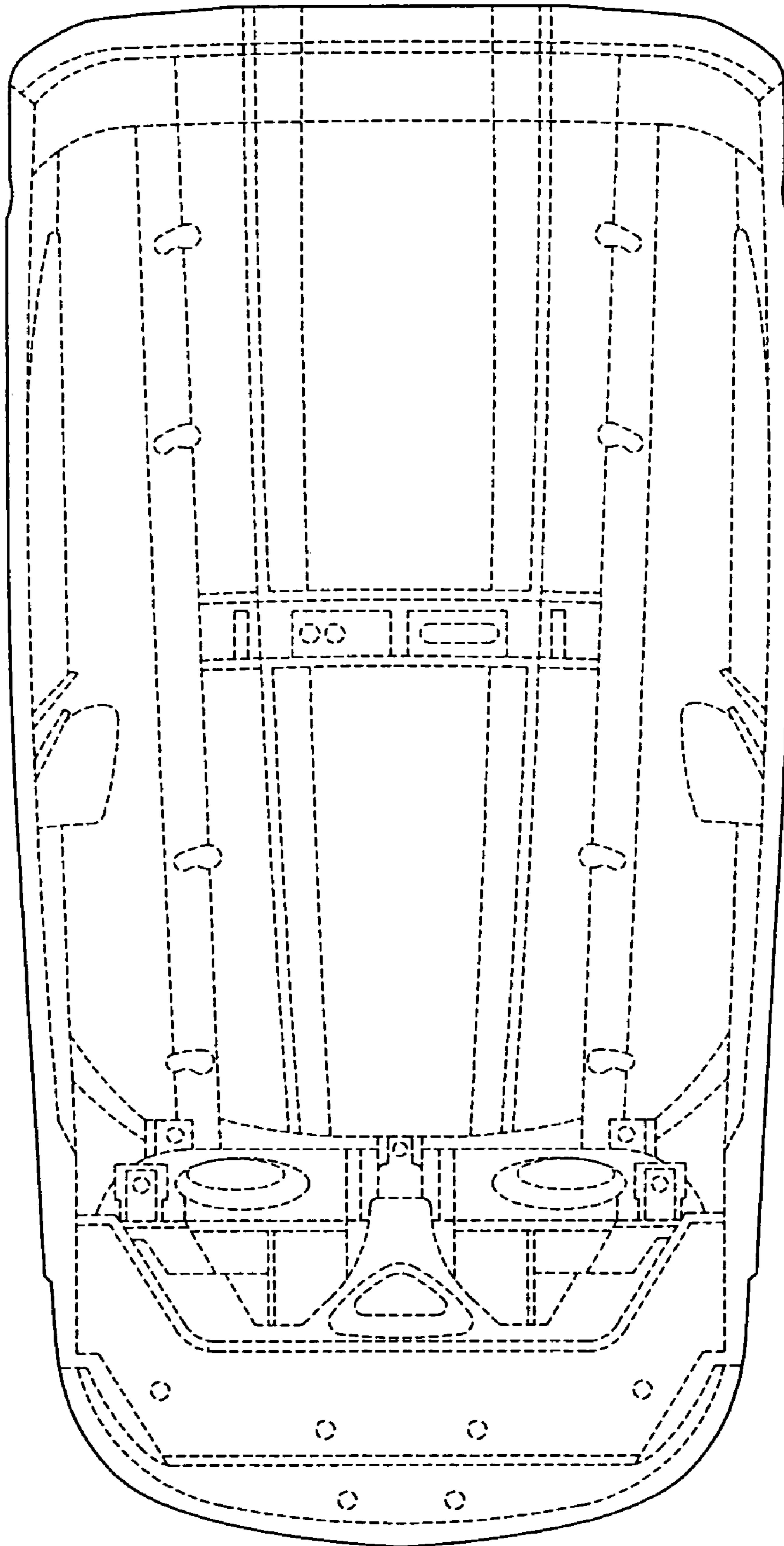


FIG-5

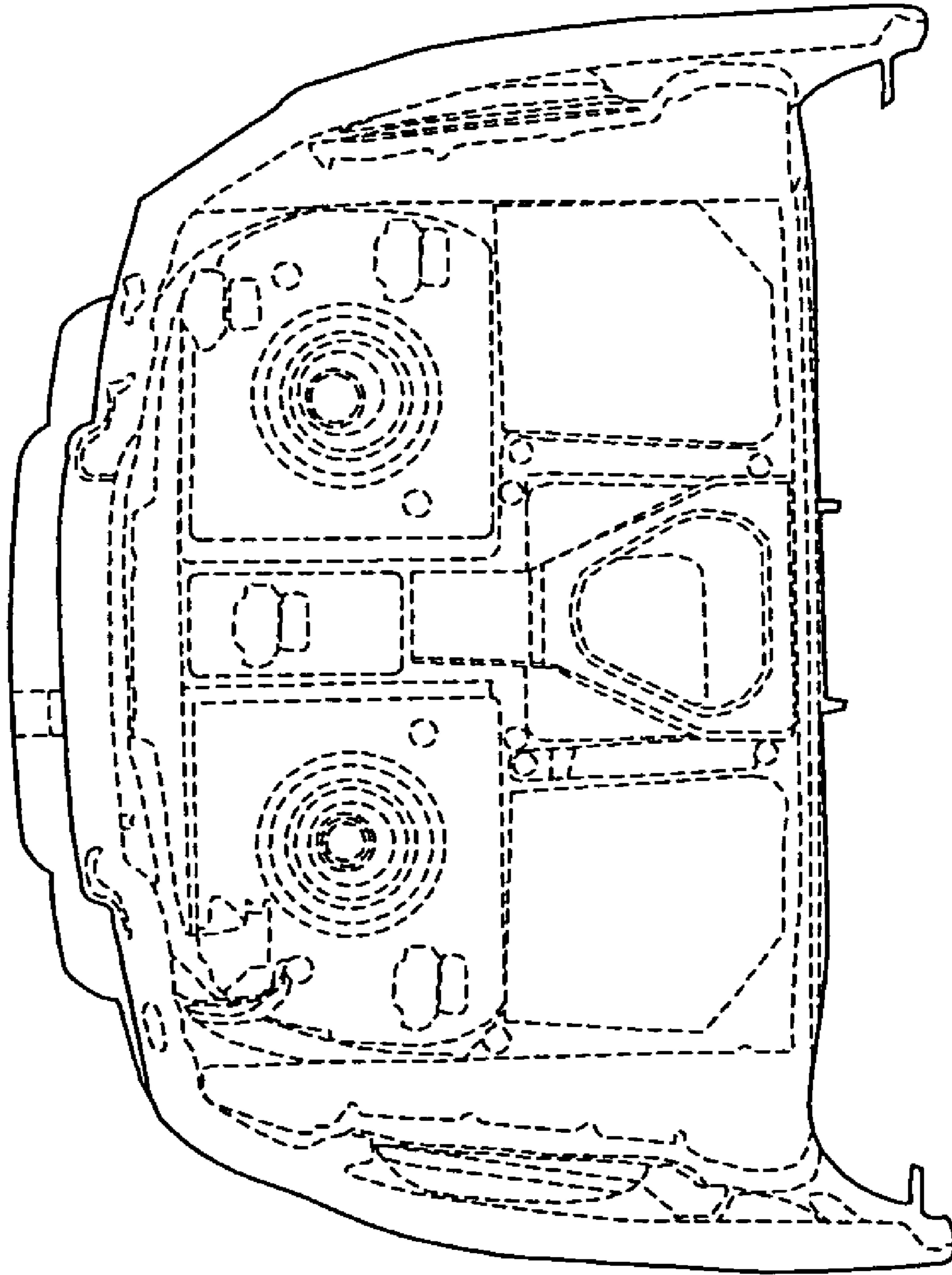


FIG-6

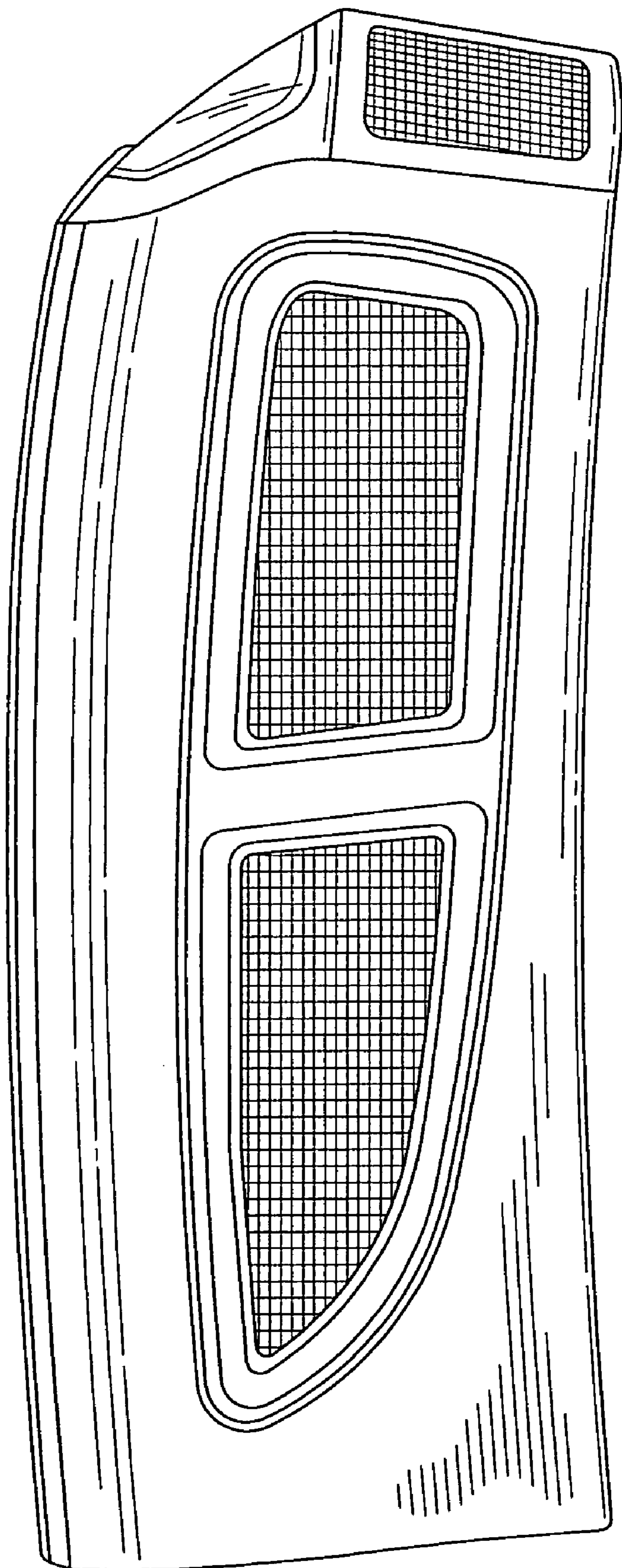


FIG--7

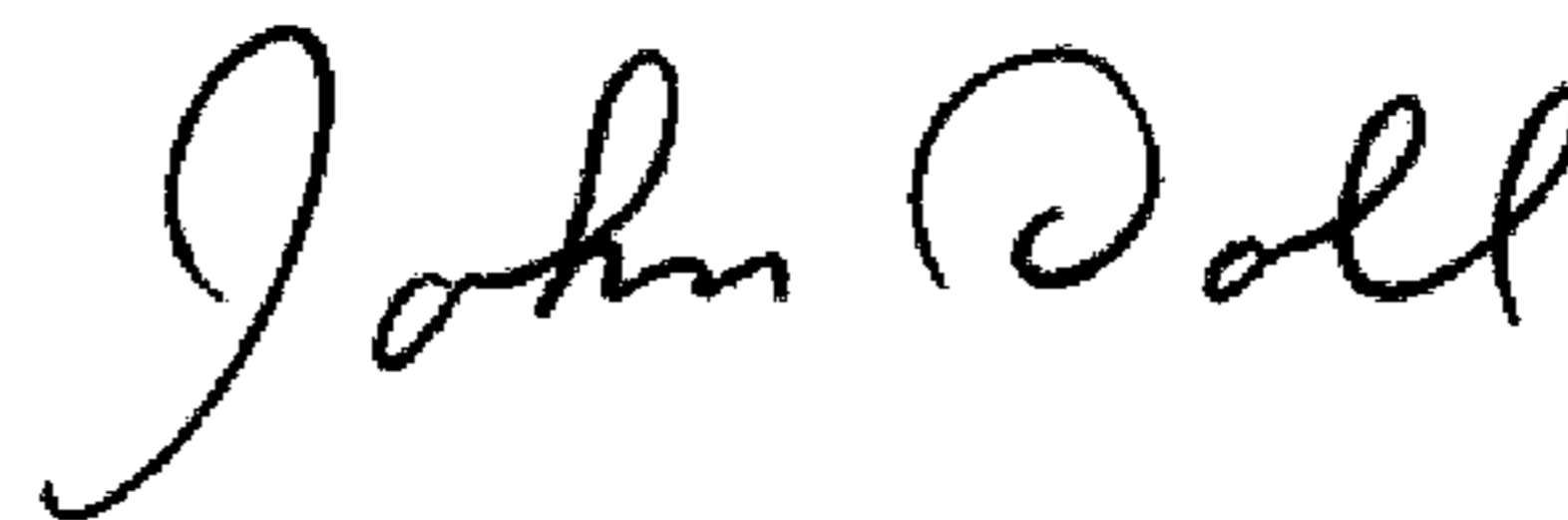
UNITED STATES PATENT AND TRADEMARK OFFICE
CERTIFICATE OF CORRECTION

PATENT NO. : Des. 591,777 S Page 1 of 1
APPLICATION NO. : 29/305670
DATED : May 5, 2009
INVENTOR(S) : Sachin Shivaji Kokitkar, Rajendrakumar N. Mohite and Ibrahim Hasan Mulla

It is certified that error appears in the above-identified patent and that said Letters Patent is hereby corrected as shown below:

Title page, item [73] Assignee: Should read "Mahindra & Mahindra Ltd."

Signed and Sealed this
Sixteenth Day of June, 2009



JOHN DOLL
Acting Director of the United States Patent and Trademark Office