



US00D591776S

(12) **United States Design Patent**
Rasset et al.

(10) **Patent No.:** **US D591,776 S**

(45) **Date of Patent:** **** May 5, 2009**

(54) **HIGH CAPACITY DRAWBAR SUPPORT WITH SAFETY CHAIN PROVISIONS**

(75) Inventors: **John T. Rasset**, Barnesville, MN (US);
Robert Joseph Overmann, Fargo, ND (US);
Thom Morgan Rivers, West Fargo, ND (US)

(73) Assignee: **CNH America LLC**, New Holland, PA (US)

(**) Term: **14 Years**

(21) Appl. No.: **29/320,942**

(22) Filed: **Jul. 8, 2008**

(51) **LOC (9) Cl.** **15-03**

(52) **U.S. Cl.** **D15/28**

(58) **Field of Classification Search** D15/28;
280/455.1, 474, 479.2, 457, 416, 416.1-461.3,
280/186, 515; 172/450, 439, 272, 677; 180/14.1
See application file for complete search history.

(56) **References Cited**

U.S. PATENT DOCUMENTS

2,506,773	A *	5/1950	Bunting	280/448
2,937,885	A	5/1960	Skow	
3,132,878	A	5/1964	De Puydt et al.	
3,557,892	A	1/1971	Burrough	
3,677,565	A *	7/1972	Slosiarek	280/499
3,865,404	A	2/1975	Schwartz	
D243,759	S *	3/1977	Utzinger	D15/28
D245,606	S *	8/1977	Williams	D15/28
4,398,617	A	8/1983	Crabb et al.	
4,821,993	A	4/1989	Warner et al.	
5,127,219	A	7/1992	Herron et al.	
5,193,625	A *	3/1993	Goll	172/248

5,489,111	A *	2/1996	Collins	280/495
5,890,726	A *	4/1999	McCoy et al.	280/406.1
6,443,474	B1	9/2002	Kay	
6,467,792	B2	10/2002	McCoy et al.	
6,739,402	B1	5/2004	Olson et al.	
6,749,213	B2	6/2004	Kollath et al.	
6,766,867	B1	7/2004	Harting et al.	
7,125,033	B2 *	10/2006	Forrister	280/416.2
2004/0056448	A1 *	3/2004	Kollath et al.	280/474
2006/0070757	A1 *	4/2006	Posselius et al.	172/677
2008/0121401	A1 *	5/2008	Posselius et al.	172/1

* cited by examiner

Primary Examiner—Stella M Reid

Assistant Examiner—Mark A Goodwin

(74) *Attorney, Agent, or Firm*—Patrick M. Sheldrake; John William Stader; Michael C. Harms

(57) **CLAIM**

We claim the ornamental design for a high capacity drawbar support with safety chain provisions, as shown and described.

DESCRIPTION

FIG. 1 is a front perspective view of a high capacity drawbar support with safety chain provisions;

FIG. 2 is a top view thereof;

FIG. 3 is a front view thereof;

FIG. 4 is a right view thereof;

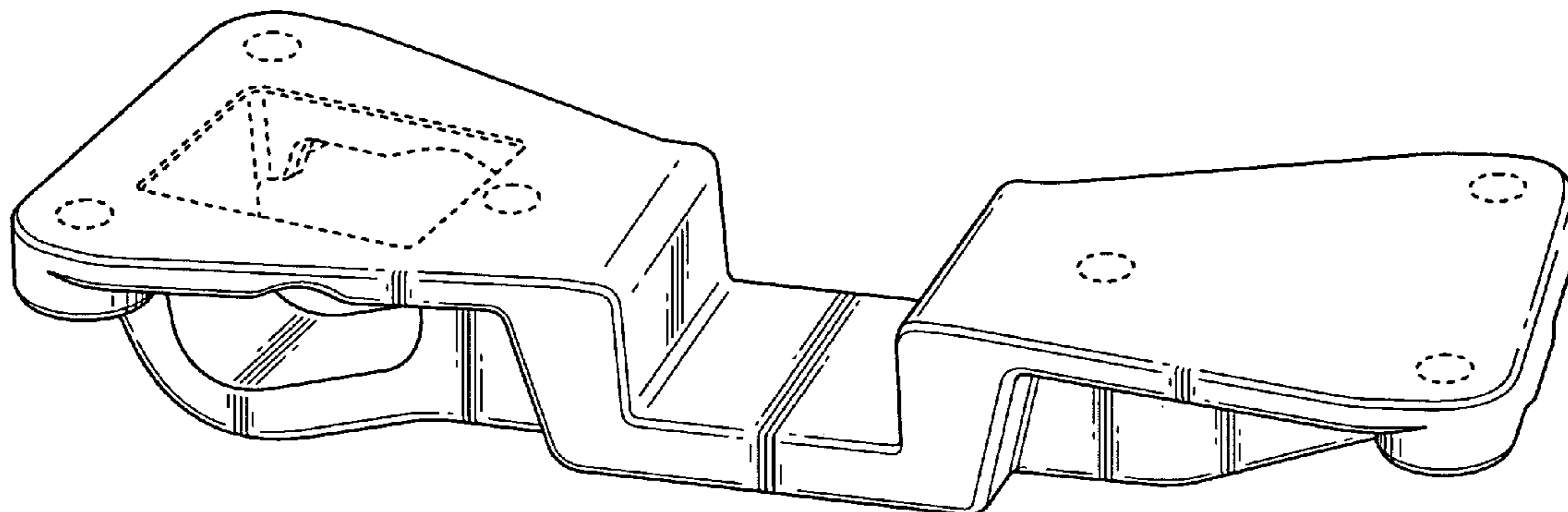
FIG. 5 is a left view thereof;

FIG. 6 is a bottom view thereof; and,

FIG. 7 is a rear view thereof.

The dashed lines in the drawings are for illustrative purpose only and form no part of the claimed design.

1 Claim, 4 Drawing Sheets



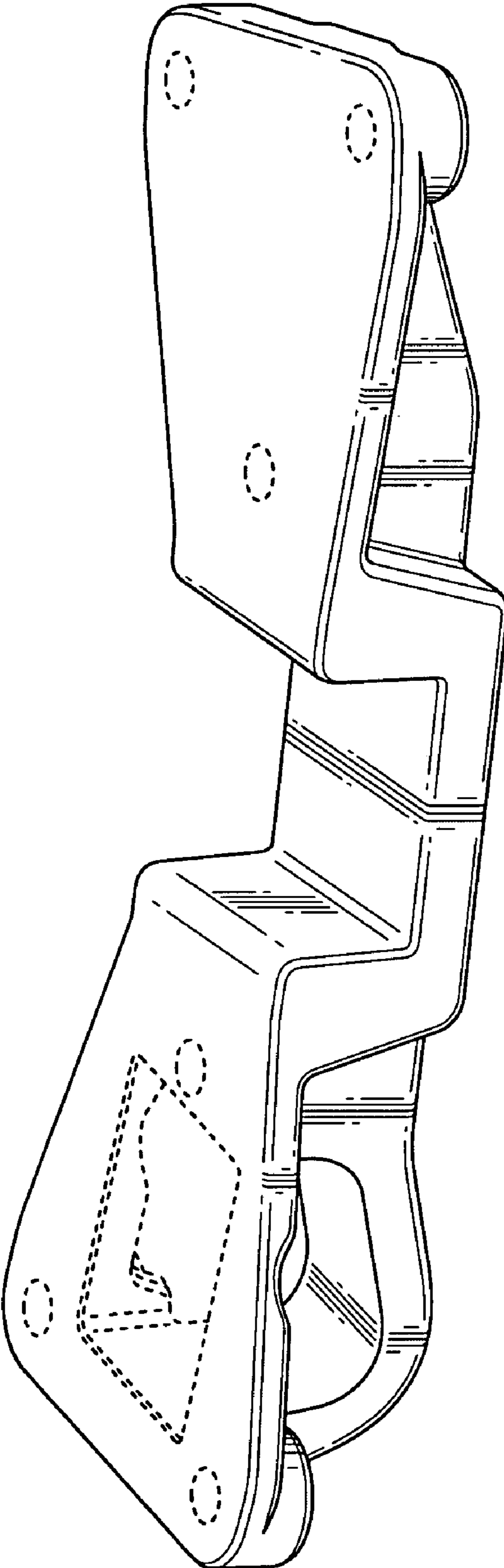


FIG. 1

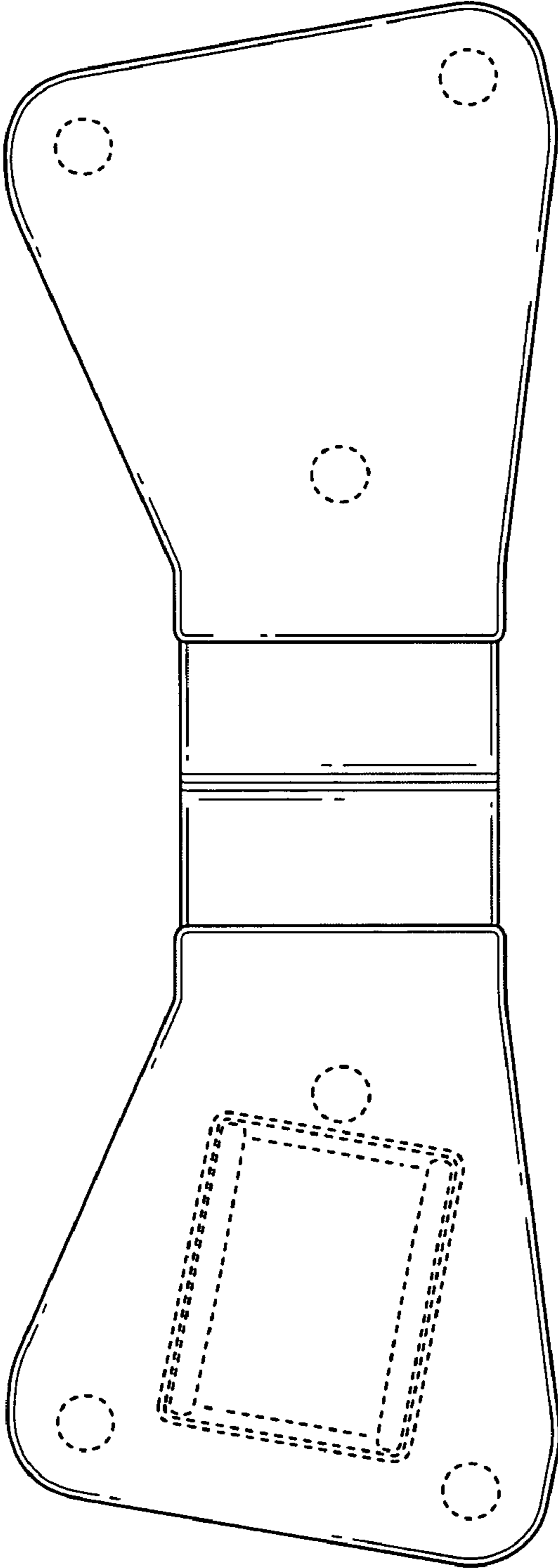


FIG. 2

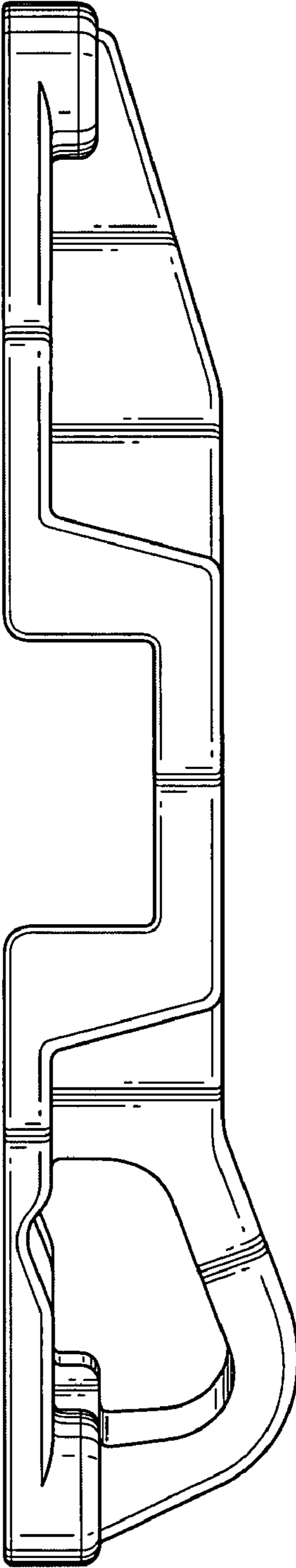


FIG. 3

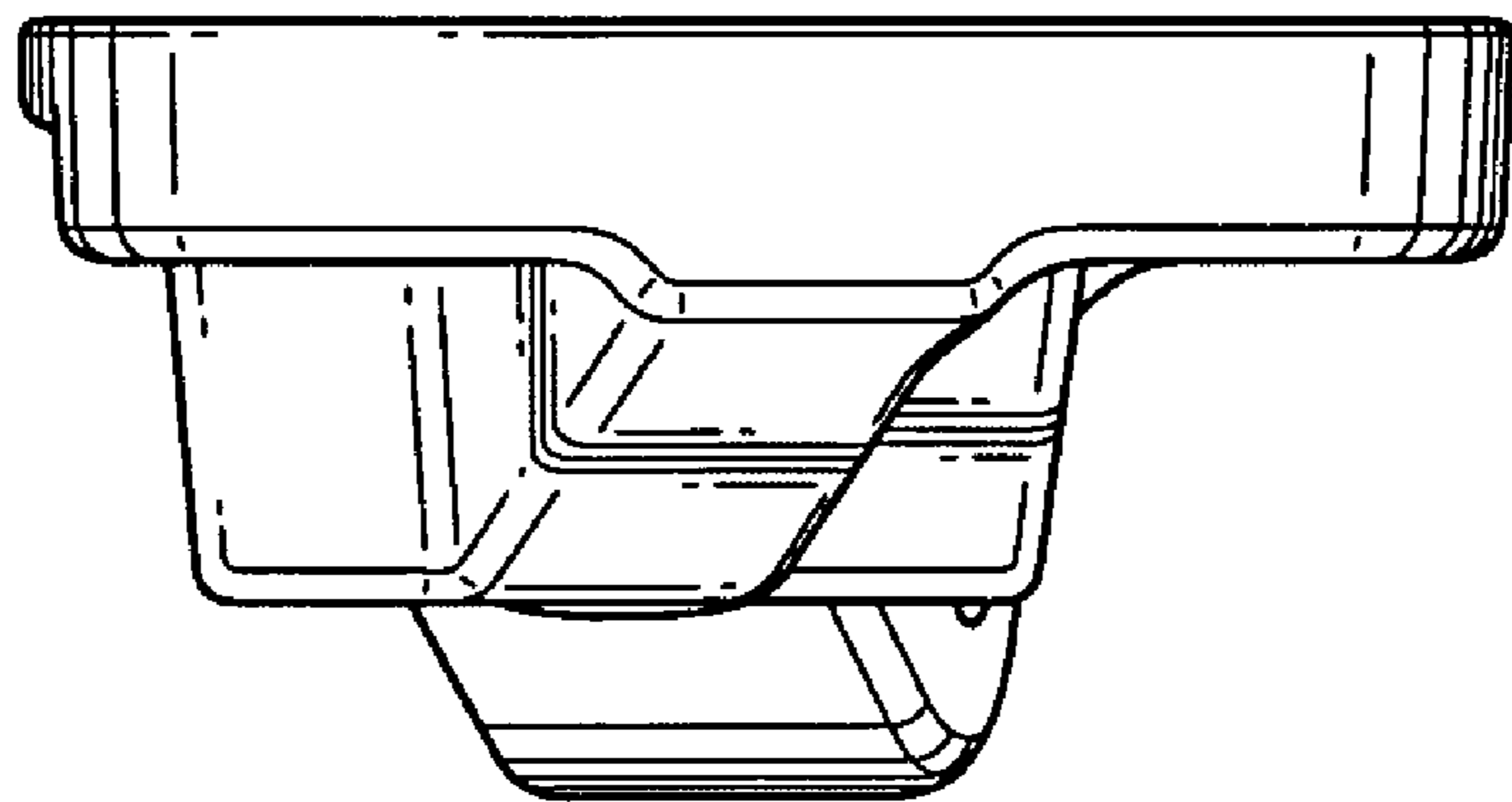


FIG. 4

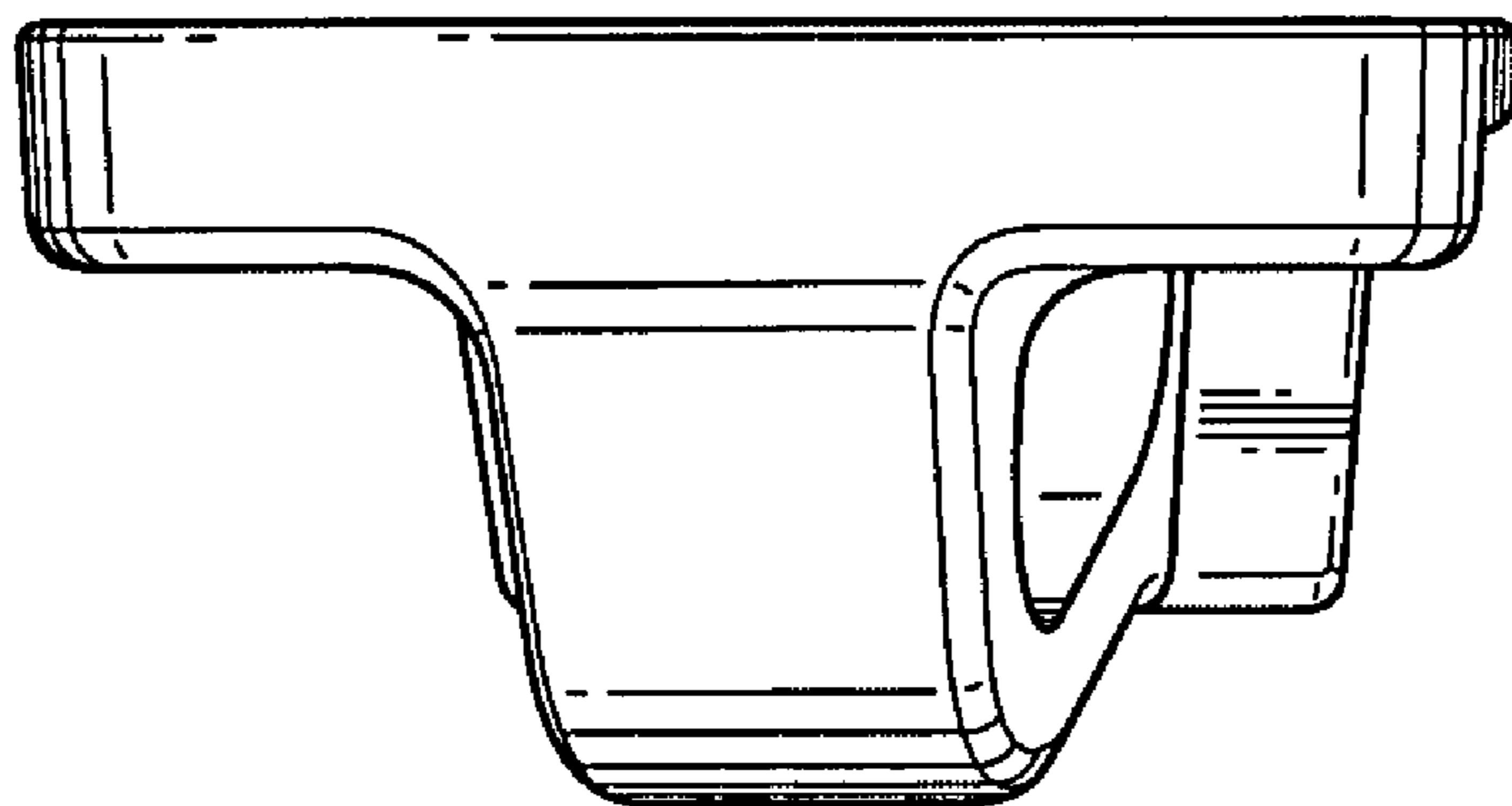


FIG. 5

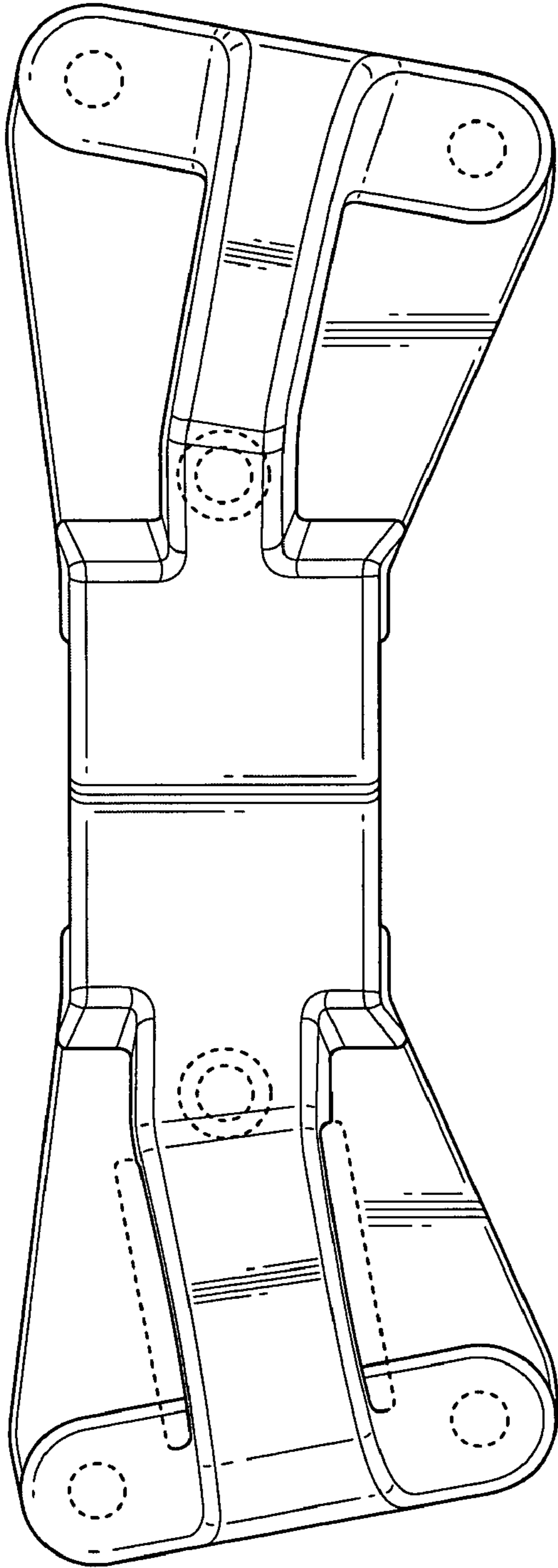


FIG. 6

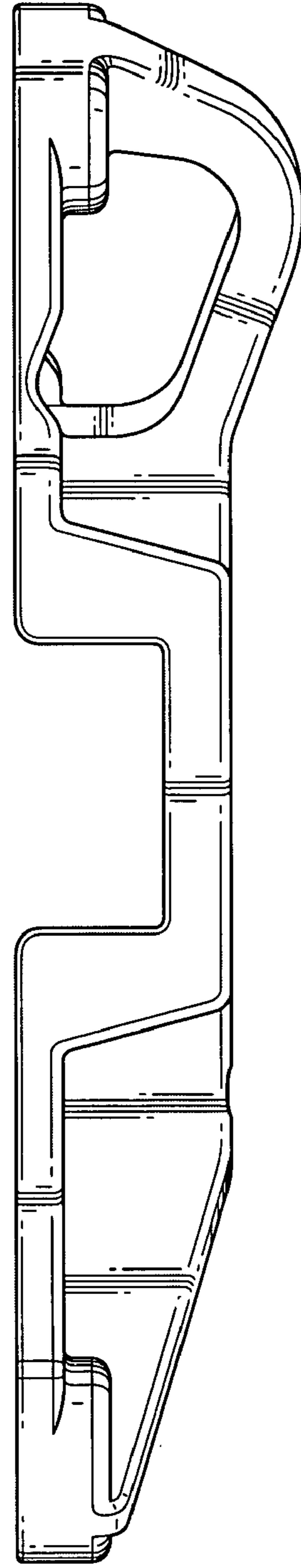


FIG. 7