



US00D591775S

(12) **United States Design Patent**
Kokitkar et al.

(10) **Patent No.:** **US D591,775 S**

(45) **Date of Patent:** **** May 5, 2009**

(54) **TRACTOR FENDER**

(75) Inventors: **Sachin Shivaji Kokitkar**, Pin (IN);
Rajendrakumar N. Mohite, Mumbai
(IN)

(73) Assignee: **Mahindra & Mahindra Ltd.**,
Maharashtra (IN)

(**) Term: **14 Years**

(21) Appl. No.: **29/305,689**

(22) Filed: **Mar. 26, 2008**

(30) **Foreign Application Priority Data**

Sep. 27, 2007 (IN) 212660

(51) **LOC (9) Cl.** **15-03**

(52) **U.S. Cl.** **D15/28**

(58) **Field of Classification Search** D15/14-18,
D15/22-26, 28, 31, 33; D12/184, 196; 56/16.1,
56/13.3, 15.9, 16.7, 17.4, 202, 255, 320.1,
56/13.4, 15.8, 294, 320.2; 280/160, 847;
180/68.1, 900, 69.21, 69.22, 69.23, 69.24,
180/69.25, 89.1, 69.2, 89.12, 89.19, 273,
180/68.6

See application file for complete search history.

(56) **References Cited**

U.S. PATENT DOCUMENTS

D338,896 S *	8/1993	Flenniken et al.	D15/17
D389,160 S *	1/1998	Wolf	D15/17
D400,825 S *	11/1998	Laivins et al.	D12/106
D432,549 S *	10/2000	Surrige et al.	D15/17
D433,425 S *	11/2000	Surrige et al.	D15/17
D441,769 S *	5/2001	Surrige	D15/17
D448,036 S *	9/2001	Goebert et al.	D15/17
D457,175 S *	5/2002	Goebert et al.	D15/33

D484,894 S *	1/2004	McCord et al.	D15/28
D493,472 S *	7/2004	Higashikawa et al.	D15/28
D513,268 S *	12/2005	Wang et al.	D15/23
D516,588 S *	3/2006	Higashikawa	D15/28
D525,992 S *	8/2006	Higashikawa et al.	D15/6
D542,308 S *	5/2007	Oka et al.	D15/23
7,222,884 B2 *	5/2007	Callan et al.	280/848
D562,350 S *	2/2008	Higashikawa	D15/17
2003/0042063 A1 *	3/2003	Arthur et al.	180/315
2003/0042760 A1 *	3/2003	Arthur et al.	296/190.01

* cited by examiner

Primary Examiner—Stella M Reid

Assistant Examiner—Mark A Goodwin

(74) *Attorney, Agent, or Firm*—George W. Moxon, II;
Roetzel & Andress

(57) **CLAIM**

The ornamental design for a tractor fender, as shown and described.

DESCRIPTION

FIG. 1 is a left side perspective view of the tractor fender showing our new design;

FIG. 2 is a right side perspective view thereof;

FIG. 3 is a left side view thereof;

FIG. 4 is a right side view thereof;

FIG. 5 is a rear view thereof;

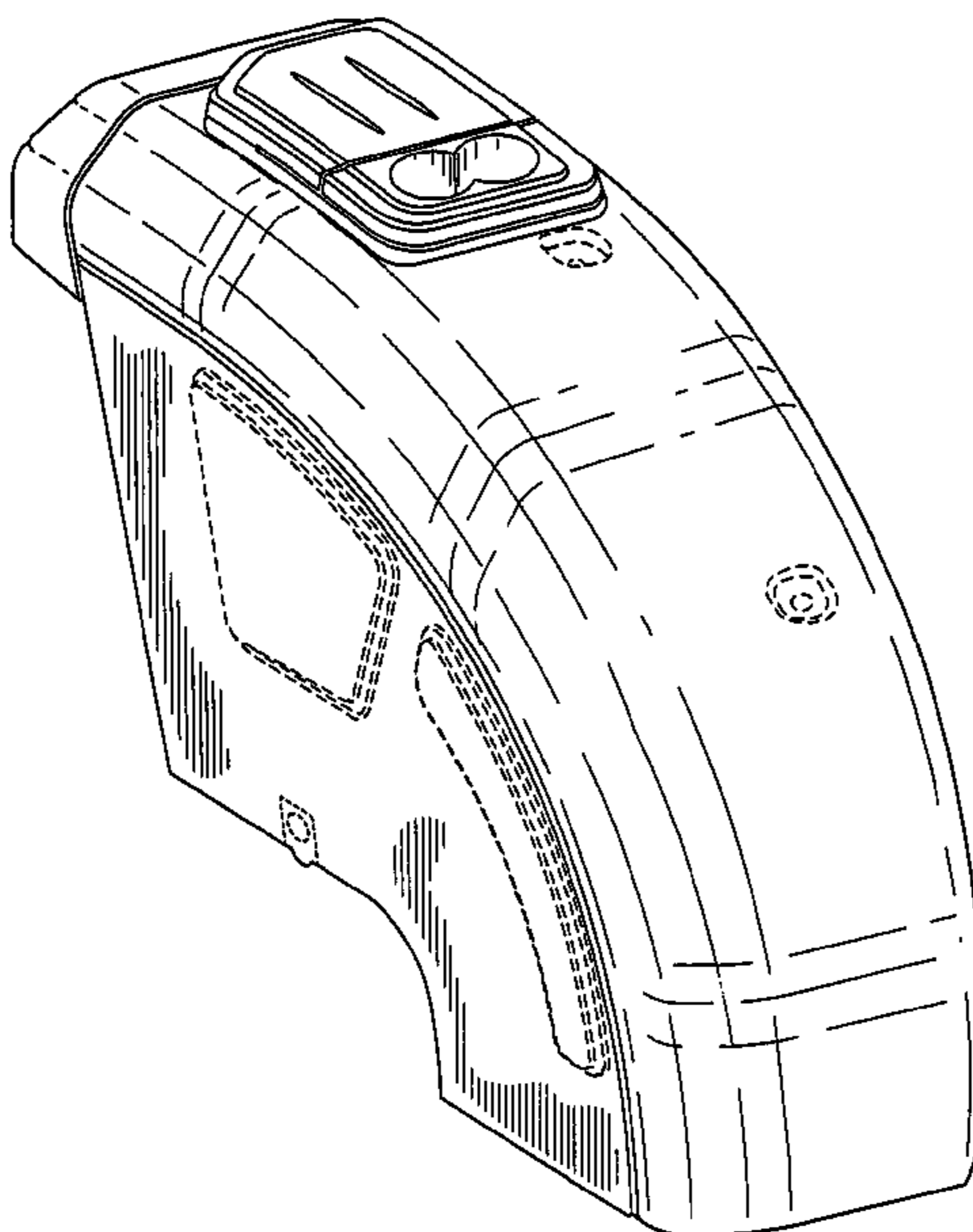
FIG. 6 is a front side view thereof;

FIG. 7 is a top view thereof; and,

FIG. 8 is a bottom view thereof.

The broken line showing in FIGS. 1-8 is included for the purpose of illustrating portions of the tractor fender and forms no part of the claimed design.

1 Claim, 8 Drawing Sheets



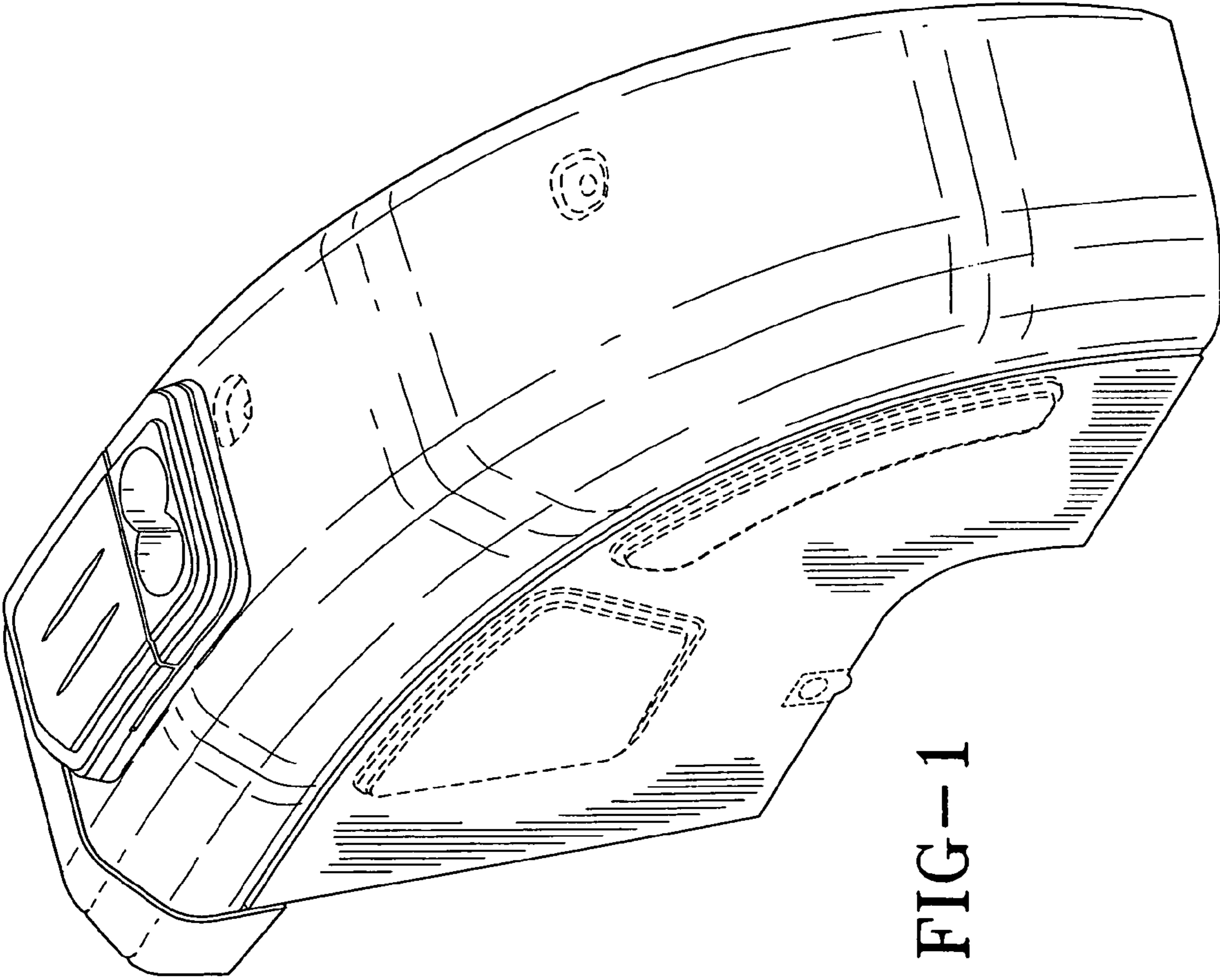


FIG-1

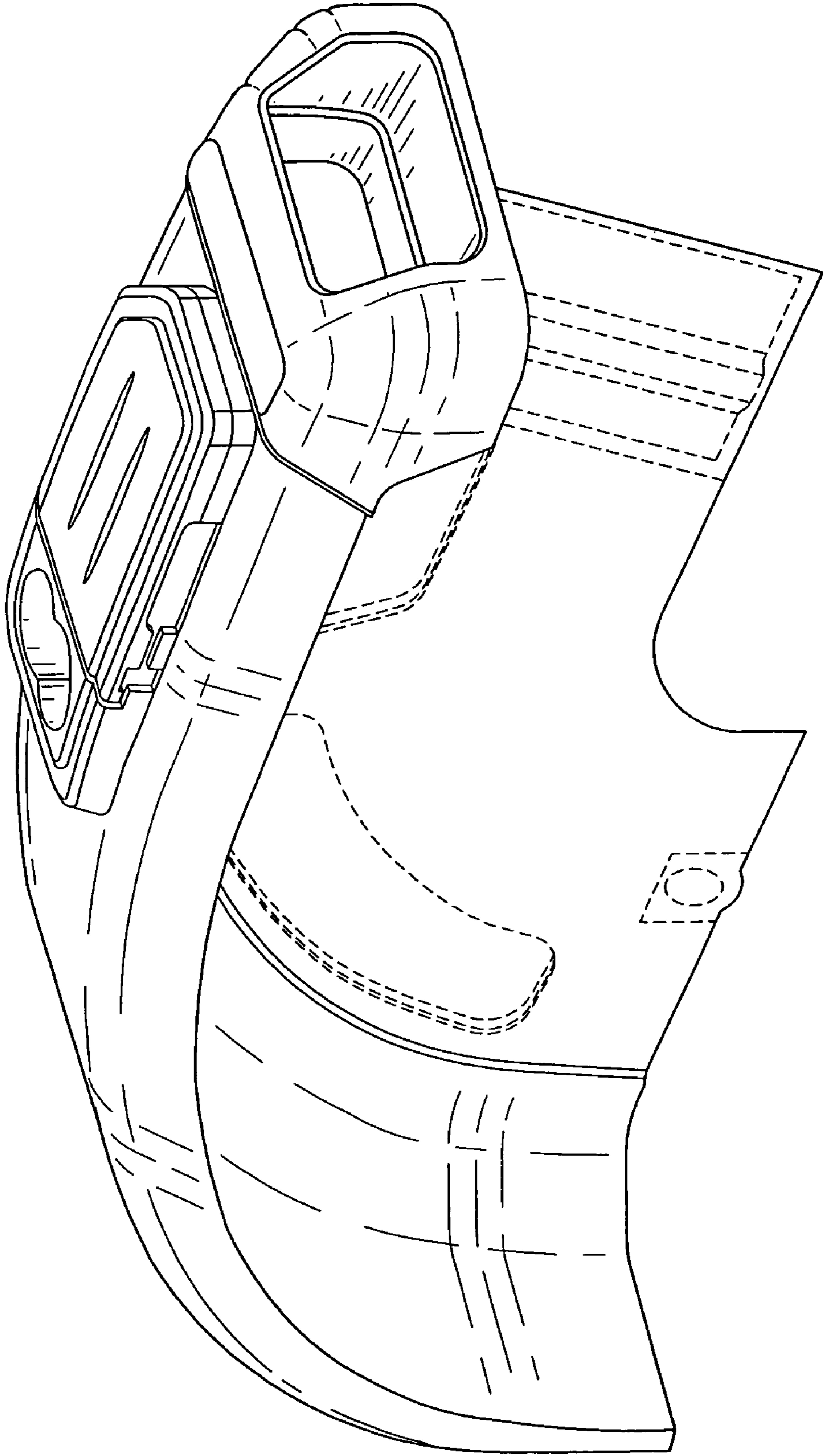


FIG-2

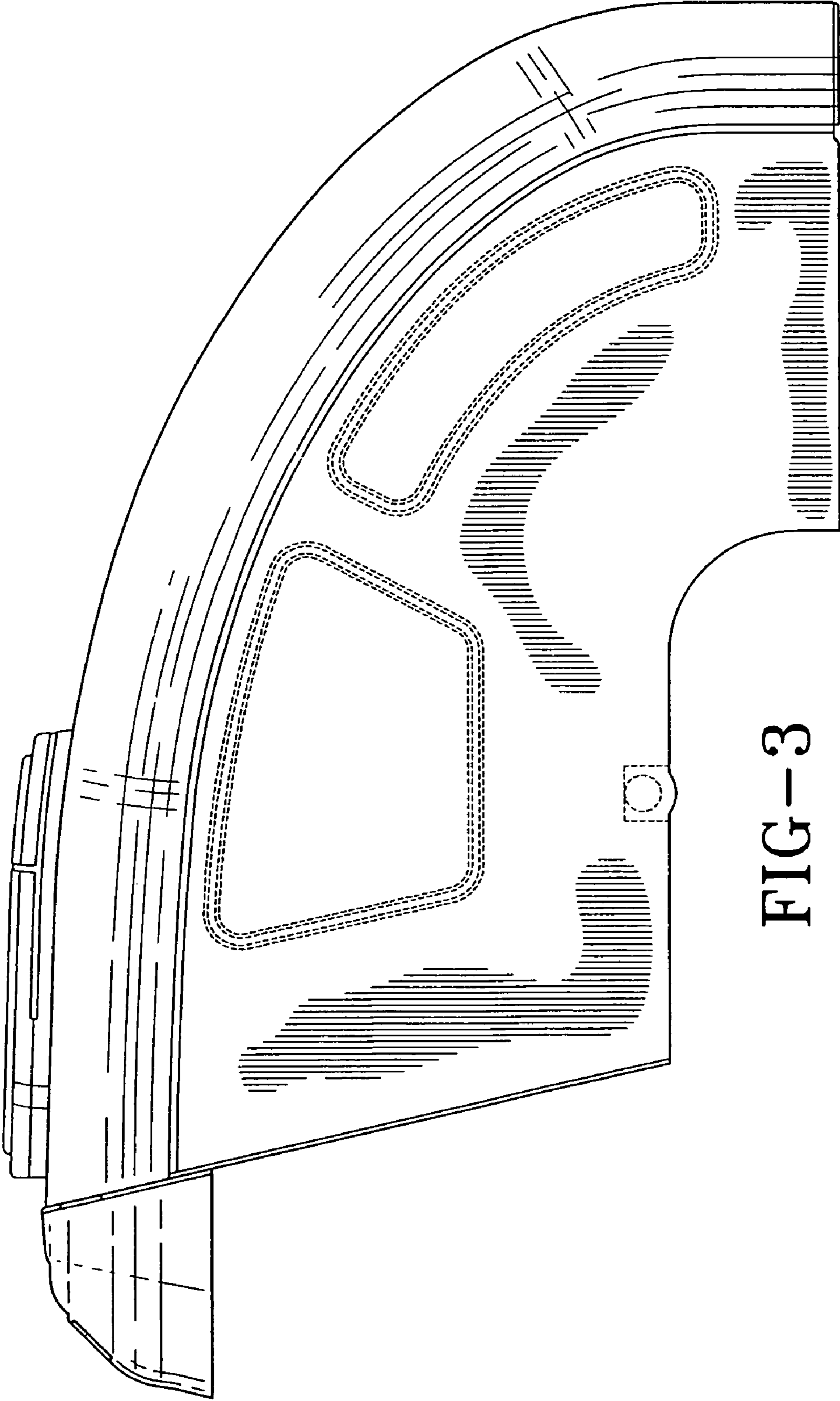


FIG-3

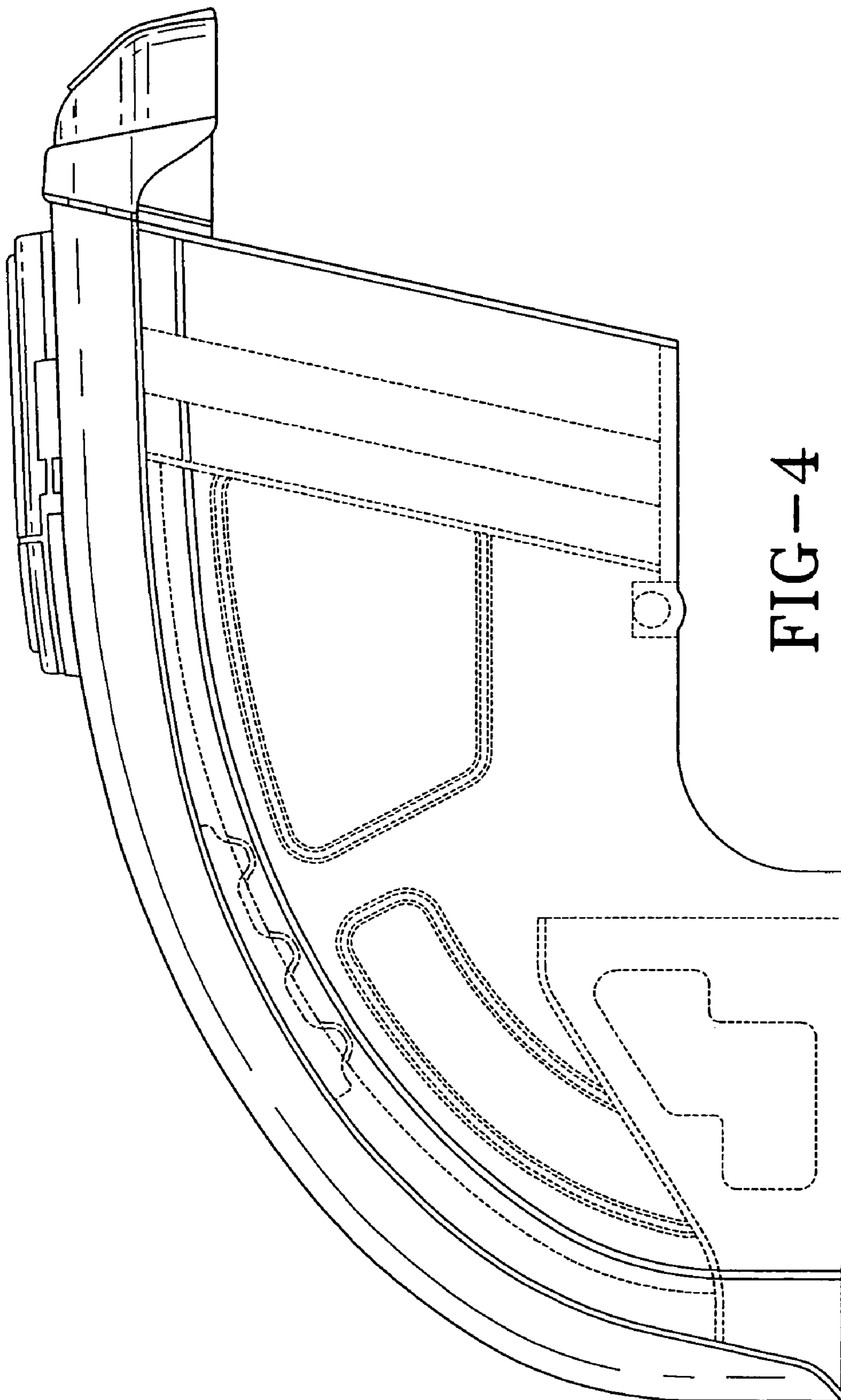


FIG-4

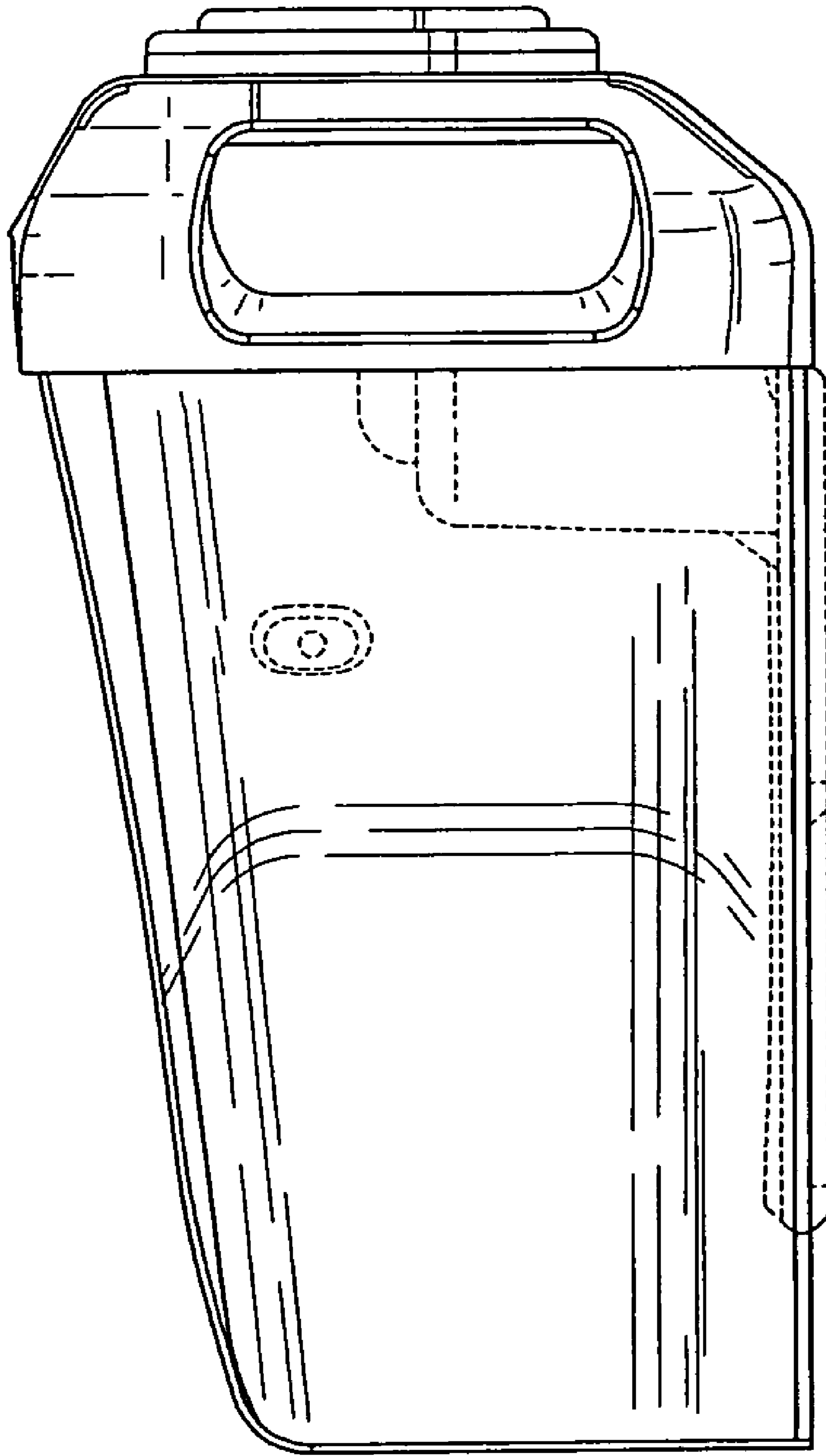


FIG-5

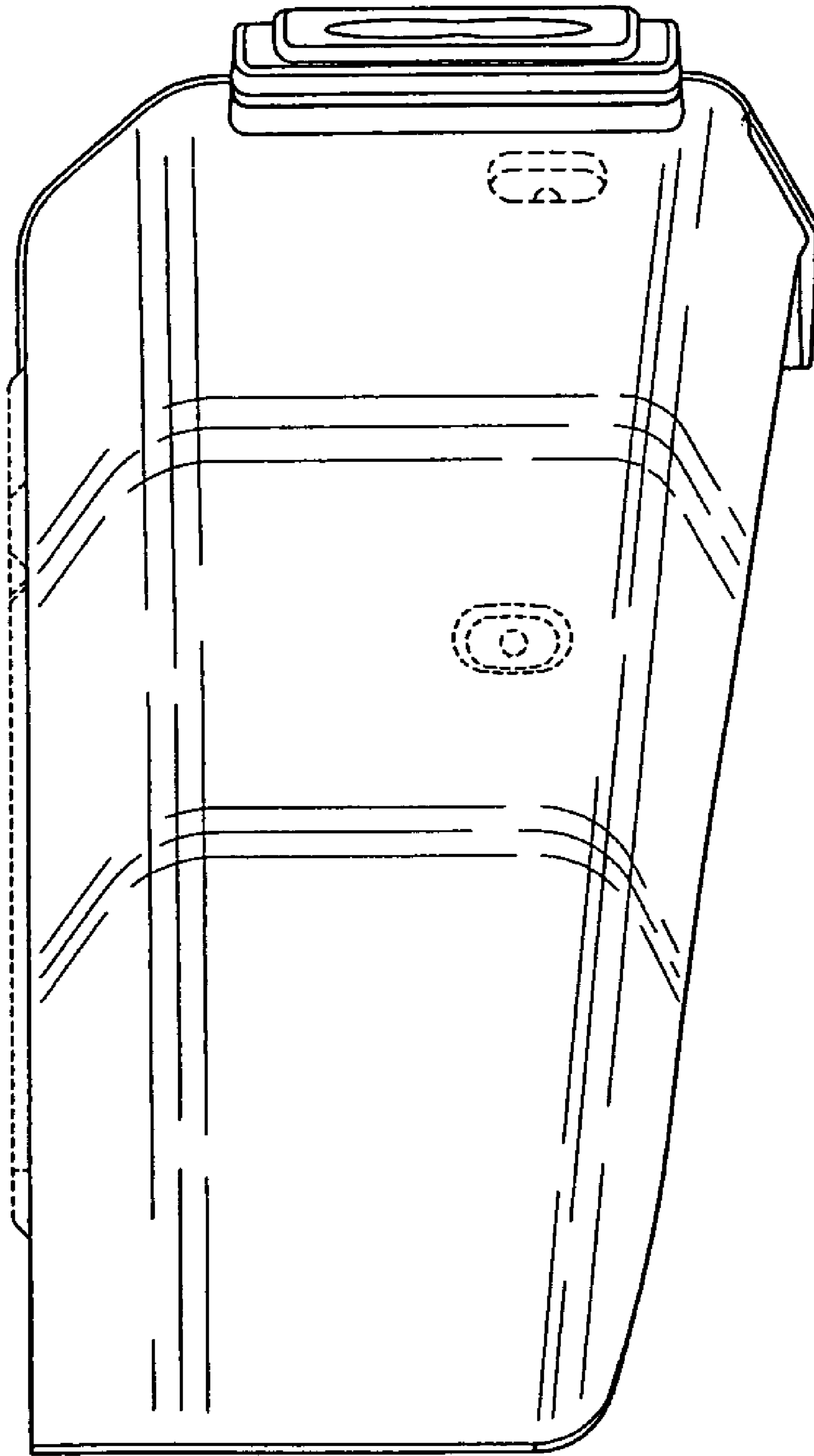


FIG-6

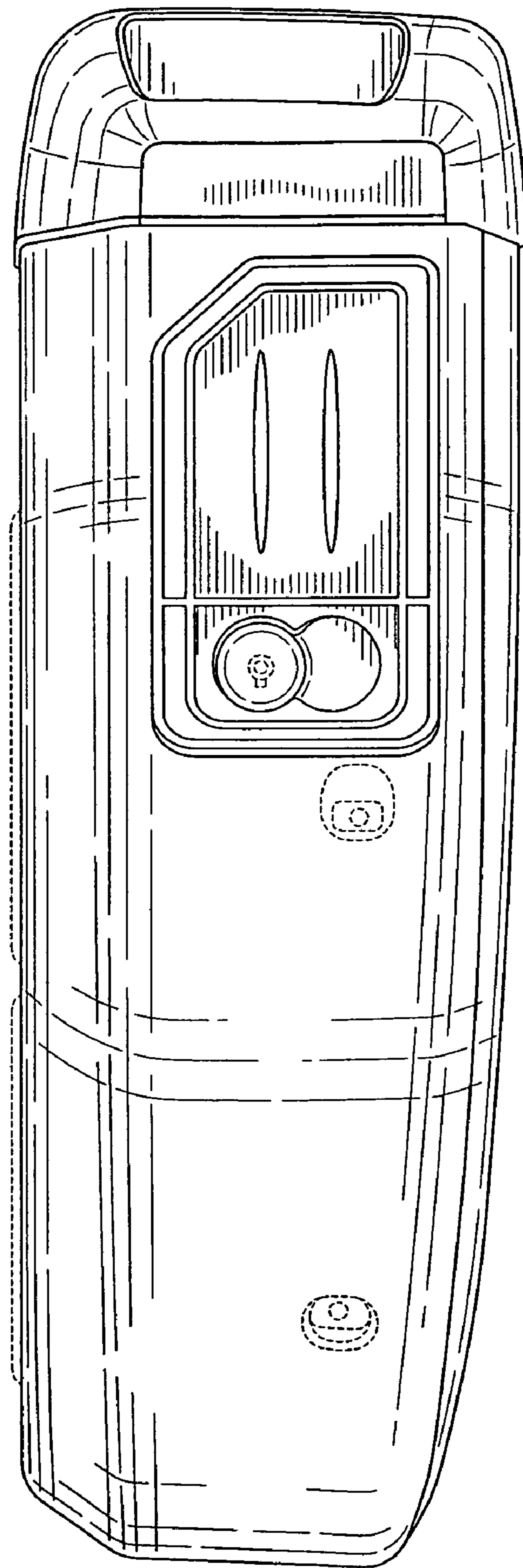


FIG-7

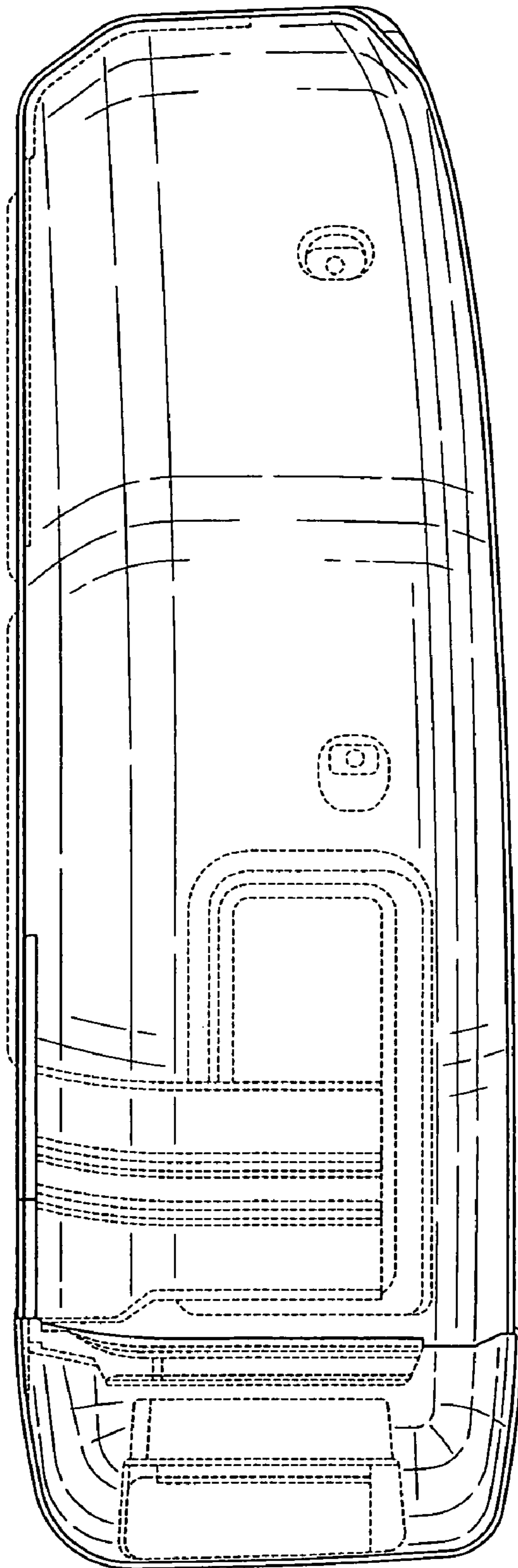


FIG-8