



US00D591774S

(12) **United States Design Patent**  
**Kokitkar et al.**

(10) **Patent No.:** **US D591,774 S**

(45) **Date of Patent:** **\*\* May 5, 2009**

(54) **TRACTOR FENDER**

(75) Inventors: **Sachin Shivaji Kokitkar**, Pin (IN);  
**Rajendrakumar N. Mohite**, Mumbai  
(IN)

(73) Assignee: **Mahindra & Mahindra Ltd.**,  
Maharashtra (IN)

(\*\*) Term: **14 Years**

(21) Appl. No.: **29/305,668**

(22) Filed: **Mar. 26, 2008**

(30) **Foreign Application Priority Data**

Sep. 27, 2007 (IN) ..... 212659

(51) **LOC (9) Cl.** ..... **15-03**

(52) **U.S. Cl.** ..... **D15/28**

(58) **Field of Classification Search** ..... D15/14-18,  
D15/22-26, 28, 31, 33; D12/184, 196; 56/16.1,  
56/13.3, 15.9, 16.7, 17.4, 202, 255, 320.1,  
56/13.4, 15.8, 294, 320.2; 280/160, 847;  
180/68.1, 900, 69.21, 69.22, 69.23, 69.24,  
180/69.25, 89.1, 69.2, 89.12, 89.19, 273,  
180/68.6

See application file for complete search history.

(56) **References Cited**

**U.S. PATENT DOCUMENTS**

D338,896 S \* 8/1993 Flenniken et al. .... D15/17  
D389,160 S \* 1/1998 Wolf ..... D15/17  
D400,825 S \* 11/1998 Laivins et al. .... D12/106  
D432,549 S \* 10/2000 Surrige et al. .... D15/17  
D433,425 S \* 11/2000 Surrige et al. .... D15/17  
D441,769 S \* 5/2001 Surrige ..... D15/17  
D448,036 S \* 9/2001 Goebert et al. .... D15/17  
D457,175 S \* 5/2002 Goebert et al. .... D15/33

D484,894 S \* 1/2004 McCord et al. .... D15/28  
D493,472 S \* 7/2004 Higashikawa et al. .... D15/28  
D513,268 S \* 12/2005 Wang et al. .... D15/23  
D516,588 S \* 3/2006 Higashikawa ..... D15/28  
D525,992 S \* 8/2006 Higashikawa et al. .... D15/6  
D542,308 S \* 5/2007 Oka et al. .... D15/23  
7,222,884 B2 \* 5/2007 Callan et al. .... 280/848  
D562,350 S \* 2/2008 Higashikawa ..... D15/17  
2003/0042063 A1 \* 3/2003 Arthur et al. .... 180/315  
2003/0042760 A1 \* 3/2003 Arthur et al. .... 296/190.01

\* cited by examiner

*Primary Examiner*—Stella M Reid

*Assistant Examiner*—Mark A Goodwin

(74) *Attorney, Agent, or Firm*—George W. Moxon, II;  
Roetzel & Andress IPA

(57) **CLAIM**

The ornamental design for a tractor fender, as shown and described.

**DESCRIPTION**

FIG. 1 is a right rear top perspective view of the tractor fender showing our new design;

FIG. 2 is a right front top perspective view thereof;

FIG. 3 is a bottom view thereof;

FIG. 4 is a front view thereof;

FIG. 5 is a right side view thereof;

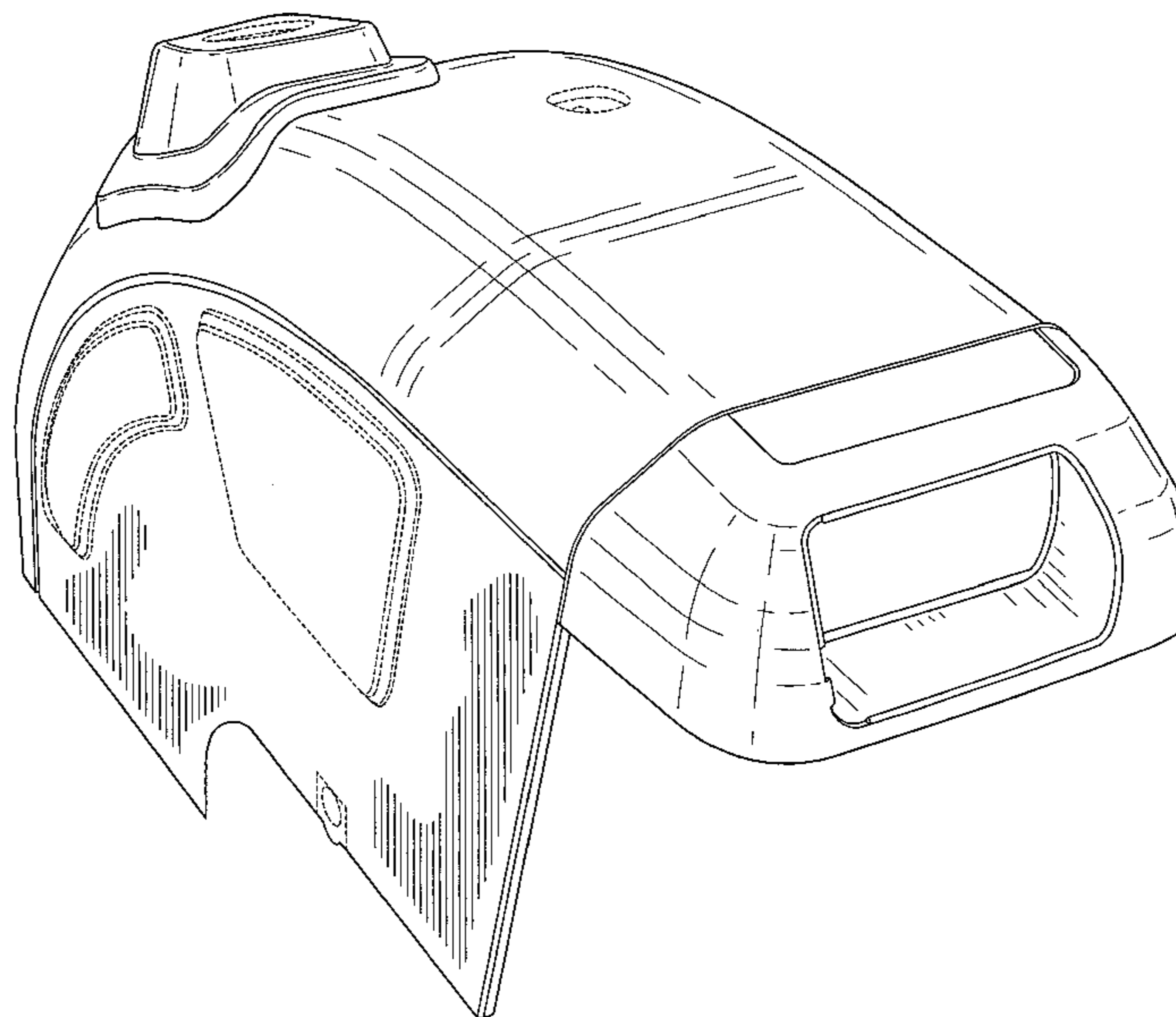
FIG. 6 is a rear view thereof;

FIG. 7 is a left side view thereof; and,

FIG. 8 is a top view thereof.

The broken line showing in FIGS. 1-8 is included for the purpose of illustrating portions of the tractor fender and forms no part of the claimed design.

**1 Claim, 8 Drawing Sheets**



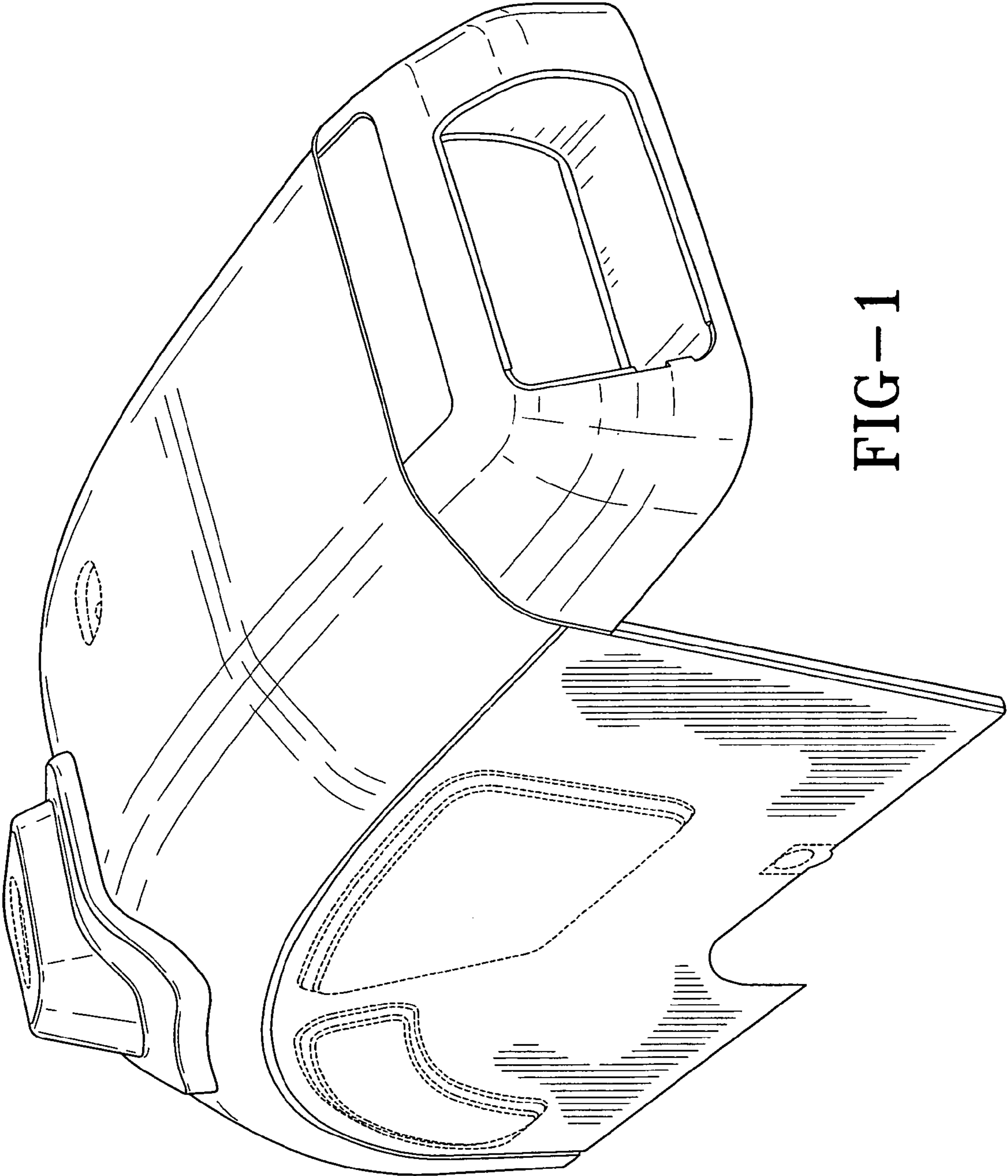


FIG-1

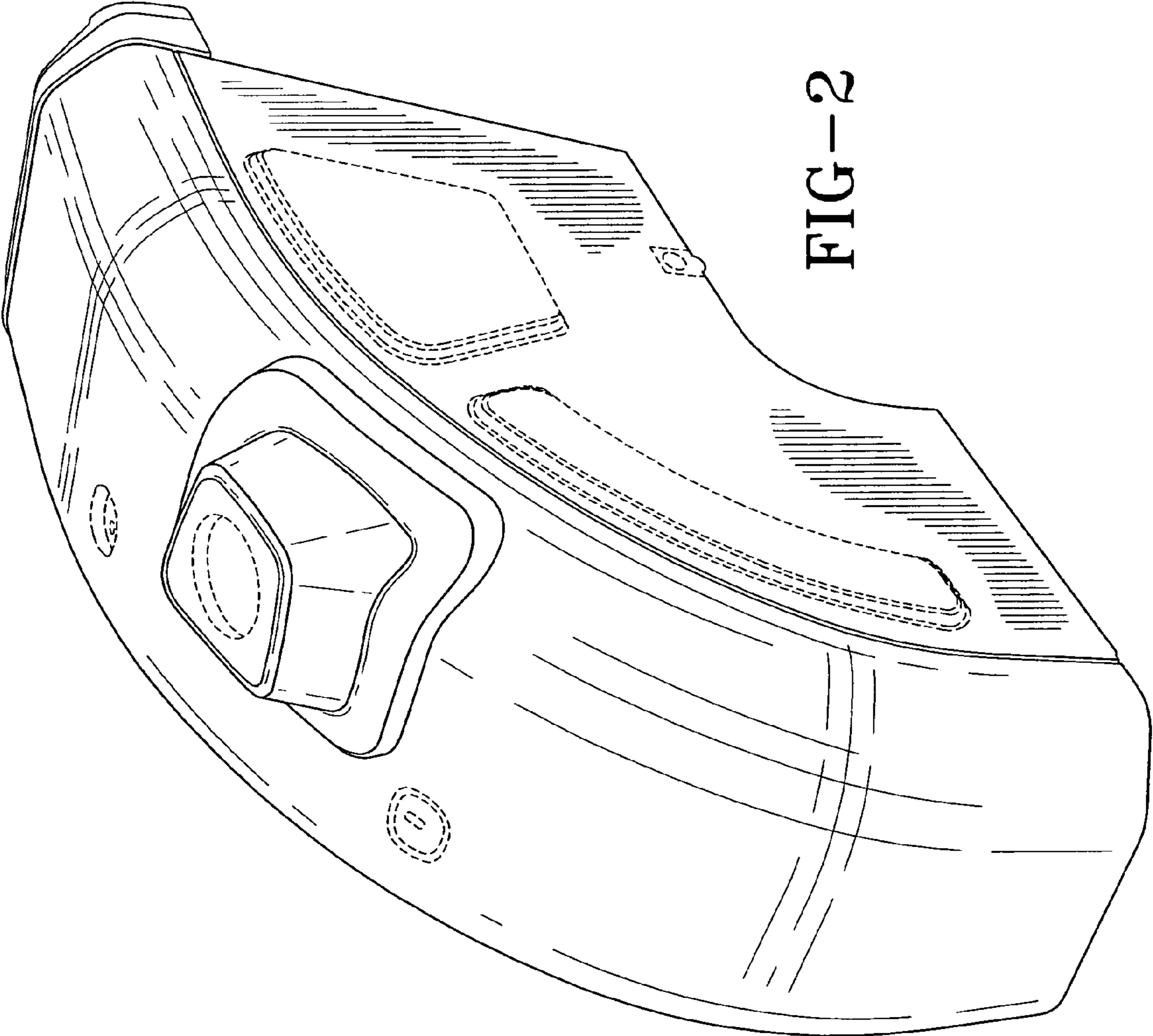


FIG-2

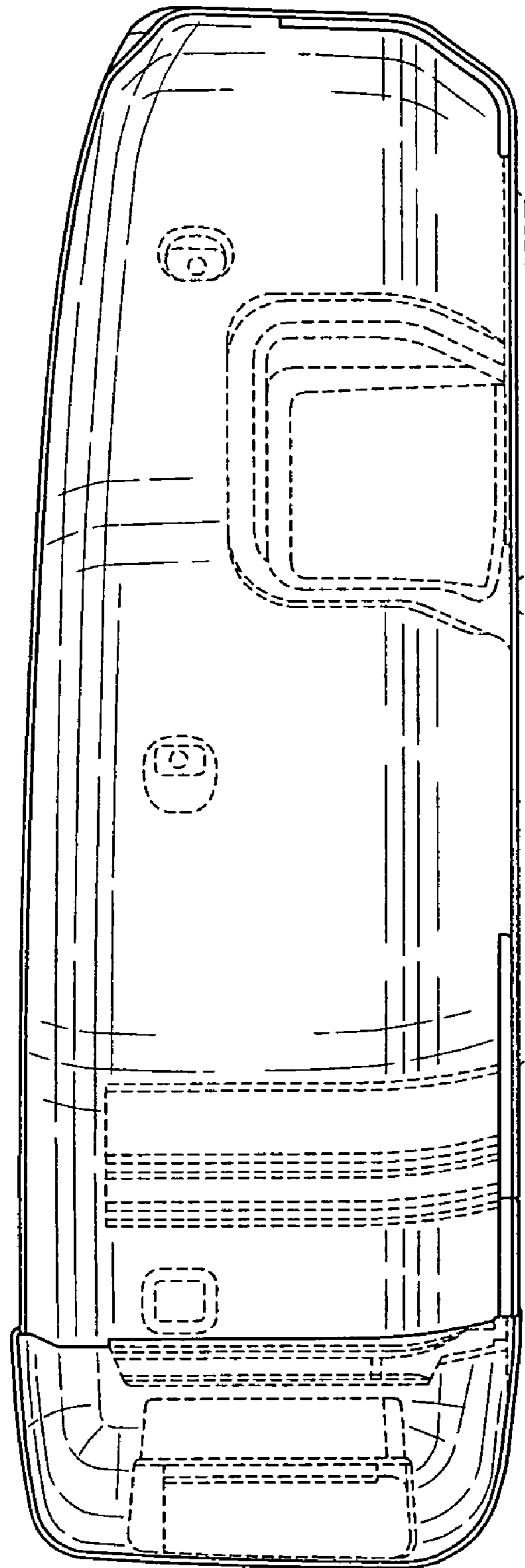


FIG-3



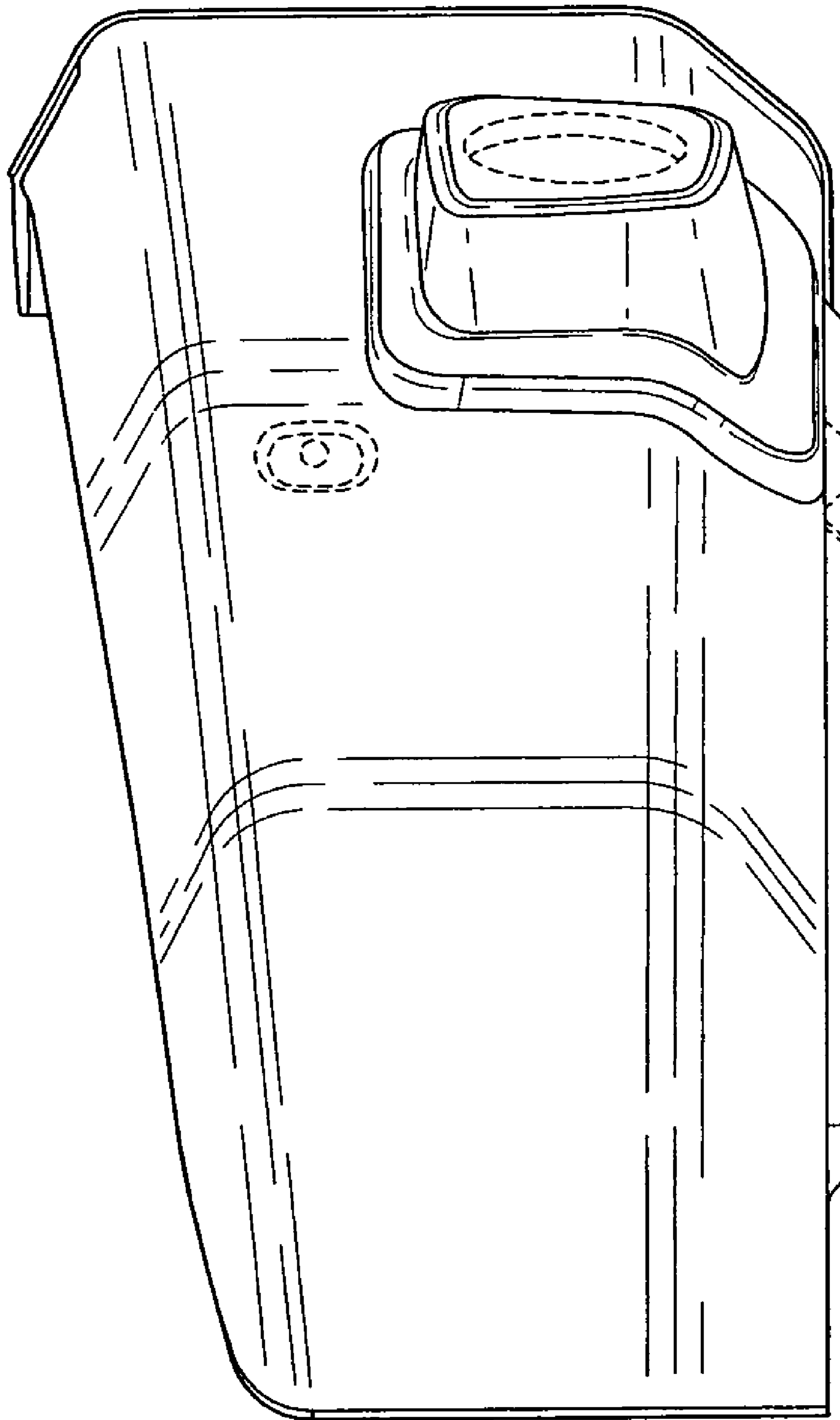


FIG-4

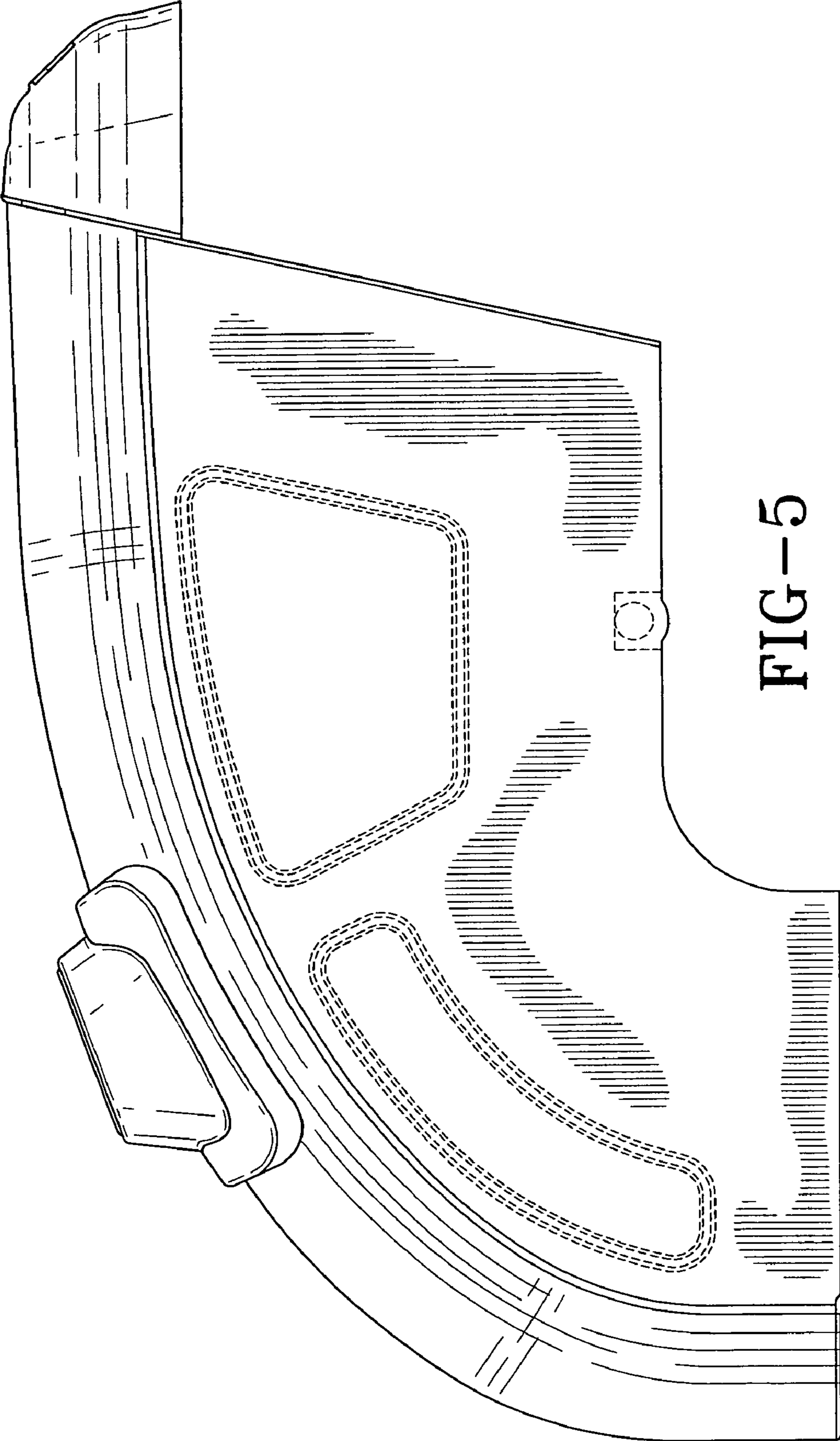


FIG-5

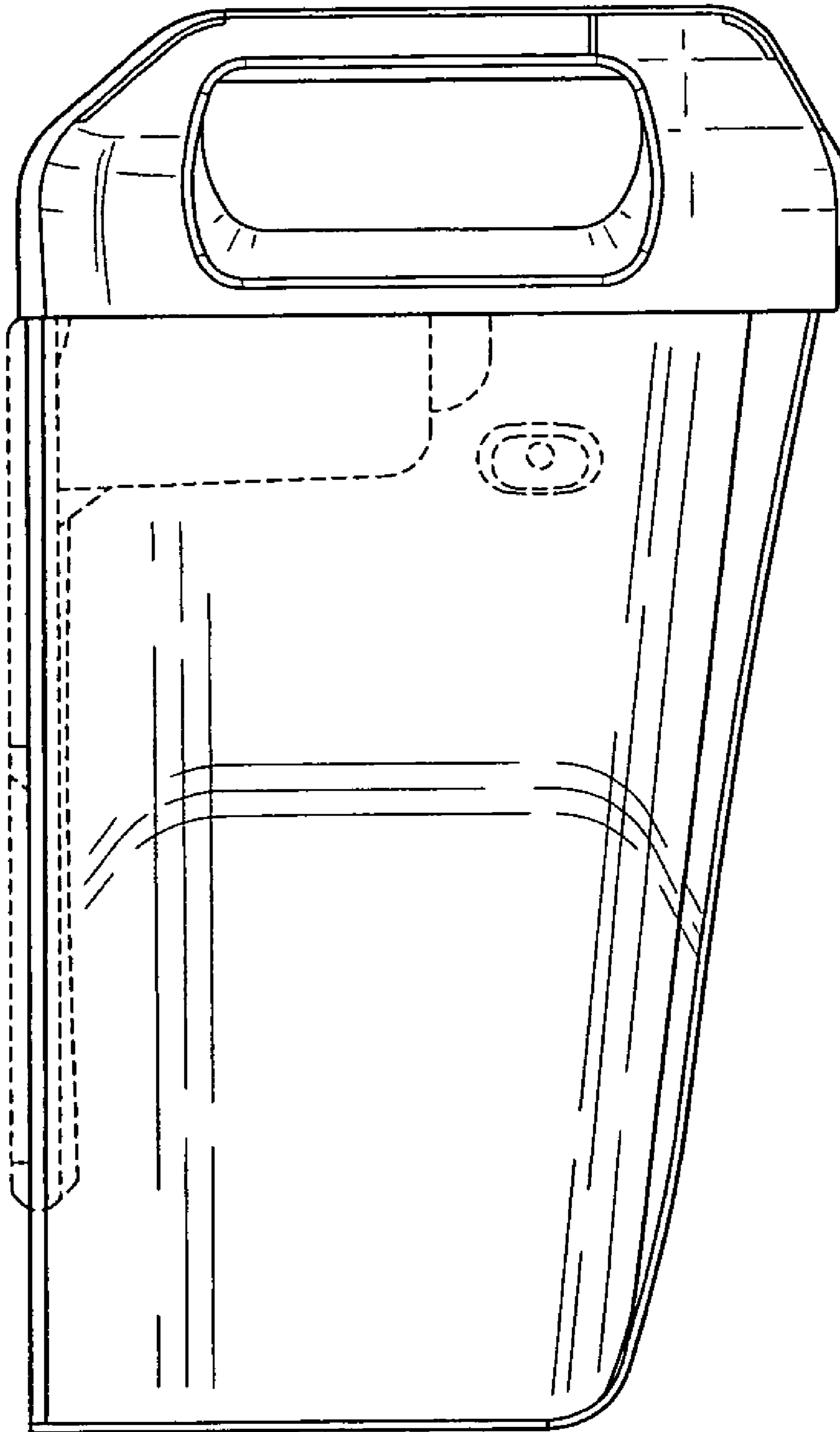


FIG-6

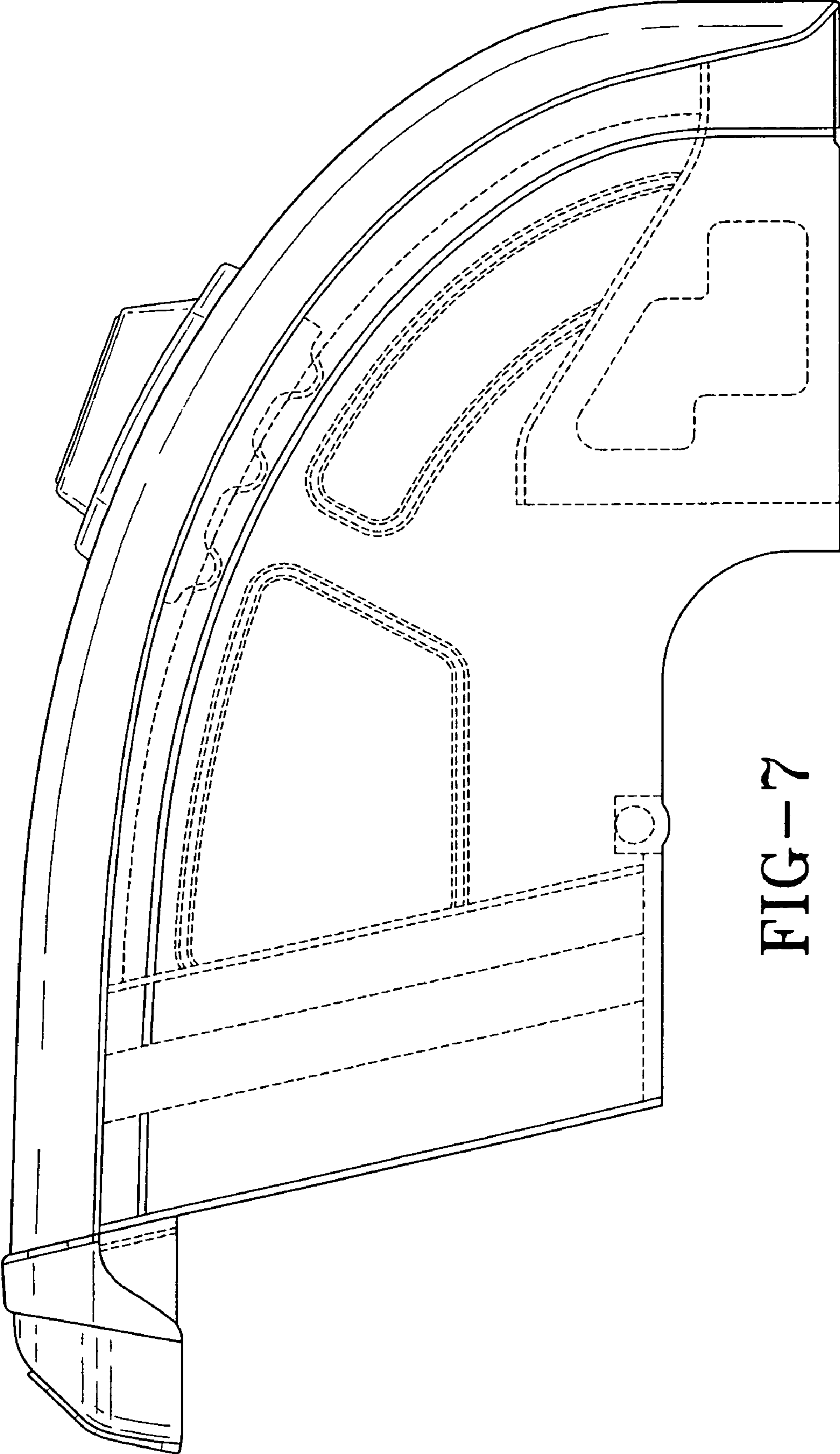


FIG-7



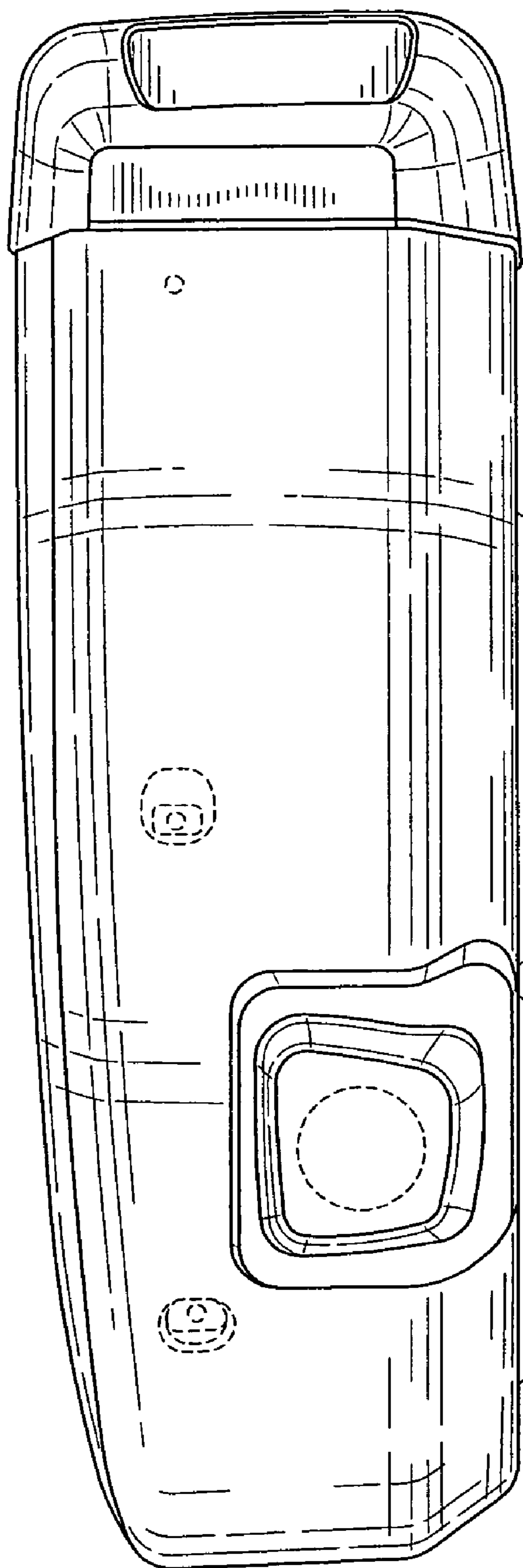


FIG-8