



US00D591770S

(12) **United States Design Patent**  
**Snyder**

(10) **Patent No.:** **US D591,770 S**

(45) **Date of Patent:** **\*\* May 5, 2009**

(54) **VALVE COVER**

(57) **CLAIM**

(76) **Inventor:** **Tony Snyder**, 10835 Cannonade Ct.,  
Indianapolis, IN (US) 46234

I claim the ornamental design for a valve cover, as shown and described.

(\*\*) **Term:** **14 Years**

**DESCRIPTION**

(21) **Appl. No.:** **29/323,580**

(22) **Filed:** **Aug. 27, 2008**

(51) **LOC (9) Cl.** ..... **15-01**

(52) **U.S. Cl.** ..... **D15/5**

(58) **Field of Classification Search** ..... D15/1-5;  
123/90.38, 195 C, 90.37

See application file for complete search history.

(56) **References Cited**

**U.S. PATENT DOCUMENTS**

D252,878 S	9/1979	Bellino et al.	
D258,308 S	2/1981	Weissman et al.	
4,538,560 A *	9/1985	Alden	123/90.38
D580,954 S *	11/2008	Platt	D15/5
2005/0132997 A1	6/2005	Vargas	

\* cited by examiner

*Primary Examiner*—Lisa P Lichtenstein

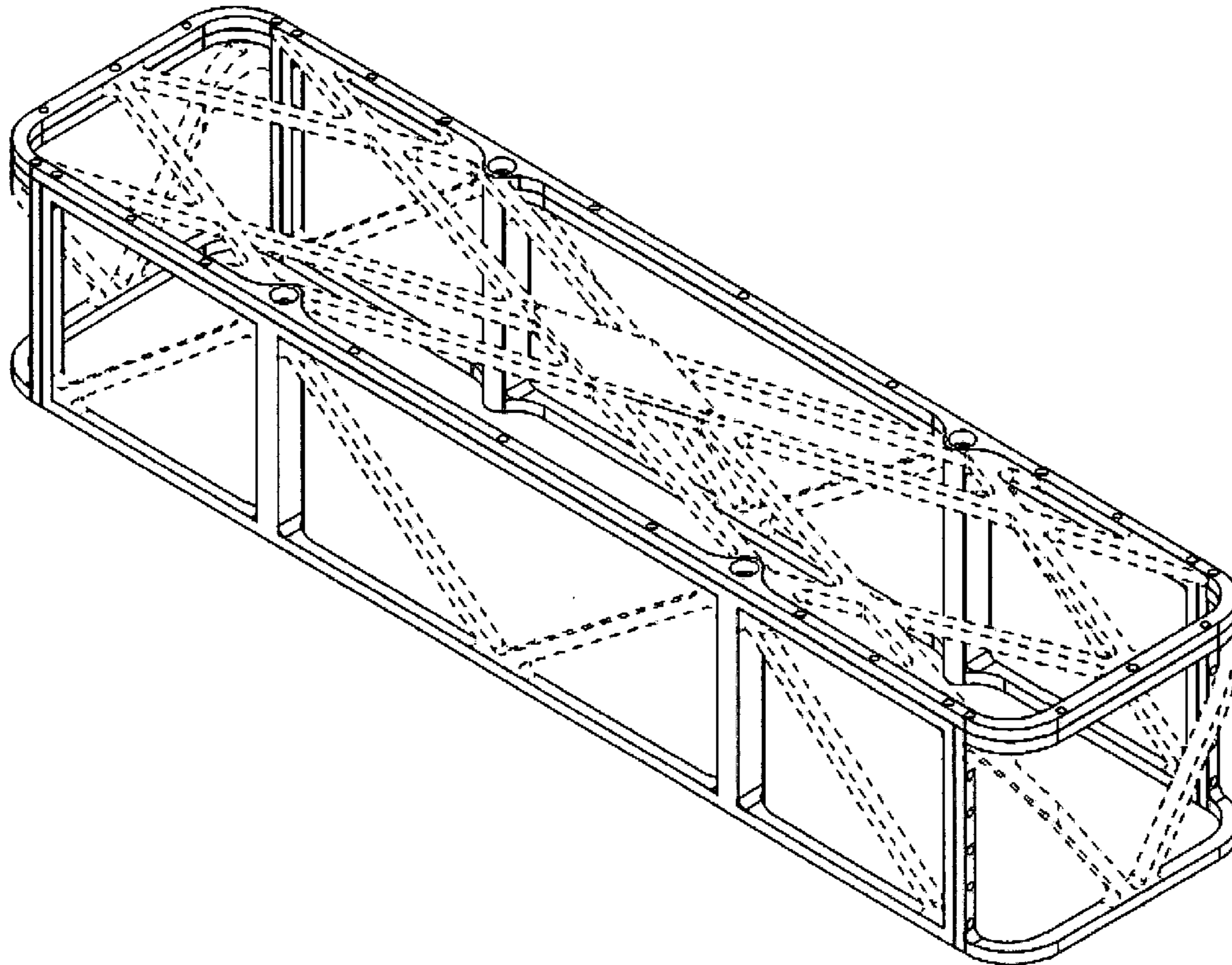
(74) *Attorney, Agent, or Firm*—MacMillan Sobanski & Todd,  
LLC

FIG. 1 is a perspective view of the valve cover;  
FIG. 2 is a front view of the valve cover;  
FIG. 3 is a back view of the valve cover;  
FIG. 4 is a top view of the valve cover;  
FIG. 5 is a bottom view of the valve cover;  
FIG. 6 is an enlarged left-hand view of the valve cover; and,  
FIG. 7 is an enlarged right-hand view of the valve cover.

The valve cover is useful for being positioned over an original equipment or aftermarket valve cover to enhance the aesthetic appeal of the engine of a vehicle. The valve cover can be brushed aluminum and could contrast an underlying valve cover if the underlying valve cover were painted some color, such as the color of the vehicle for example.

The broken line showing of portions of a valve cover is included for the purpose of illustrating environmental structure and forms no part of the claimed design.

**1 Claim, 7 Drawing Sheets**



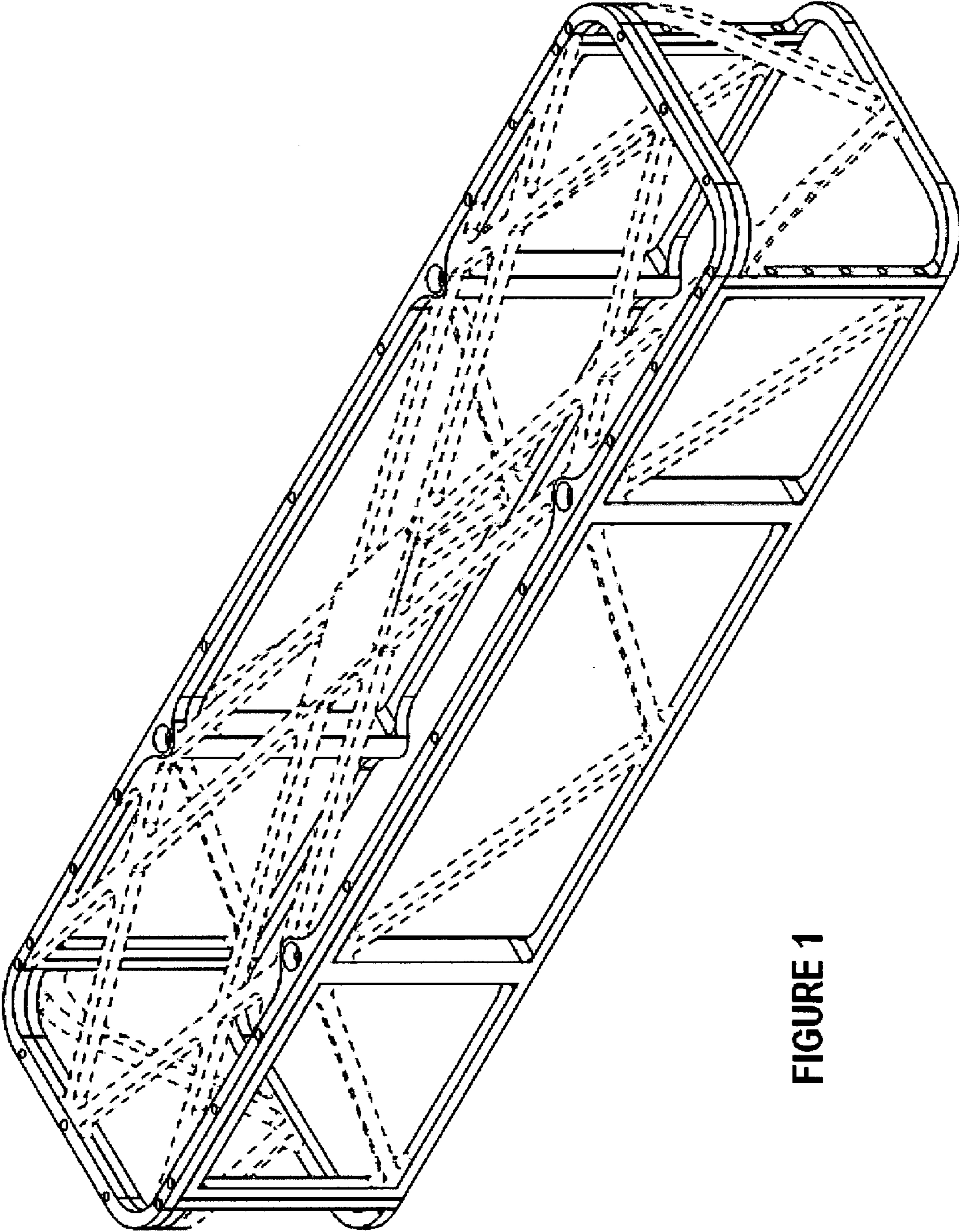


FIGURE 1

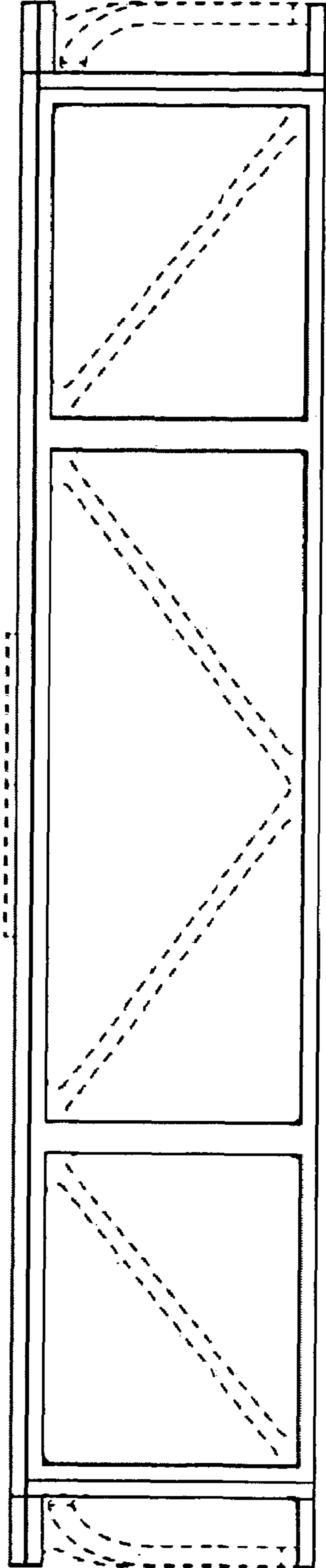


FIGURE 2

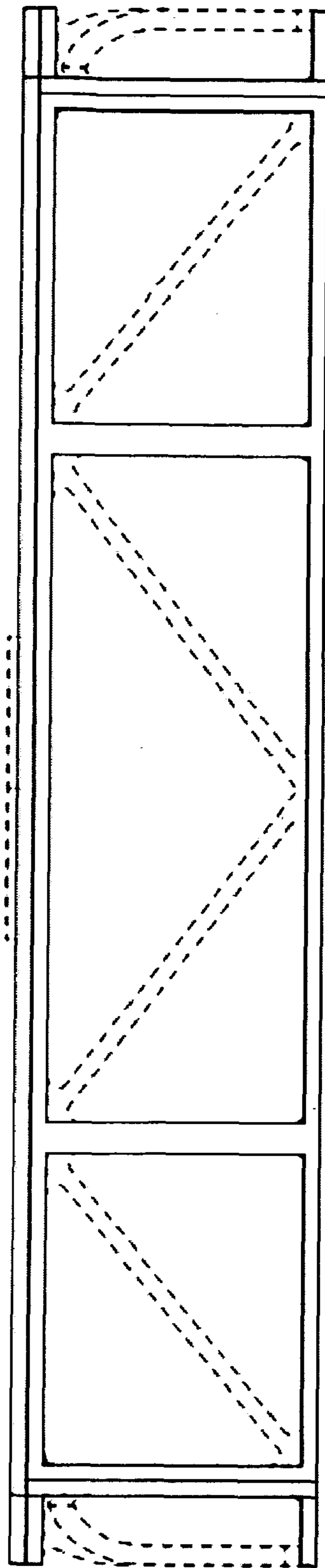


FIGURE 3

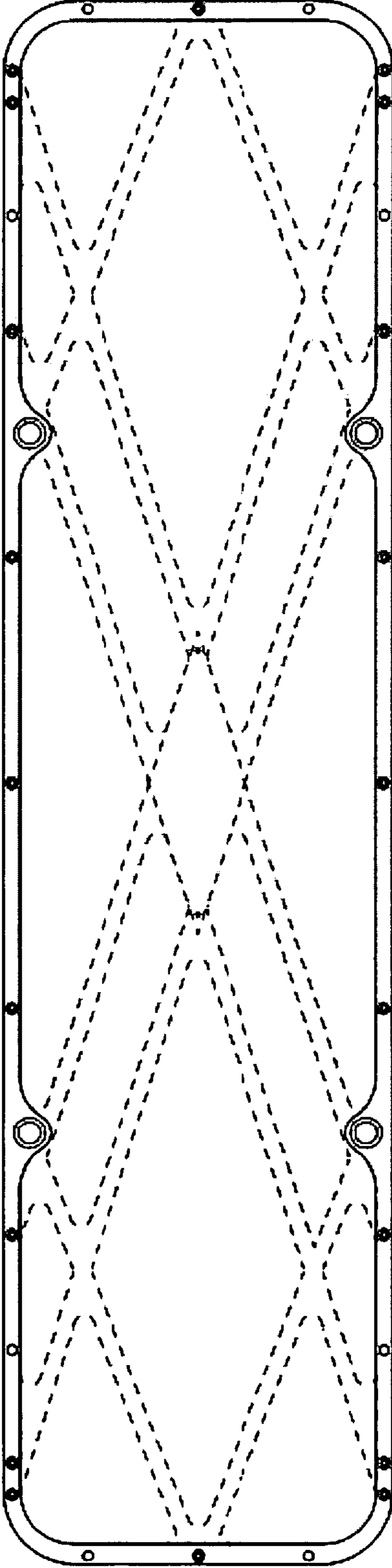


FIGURE 4



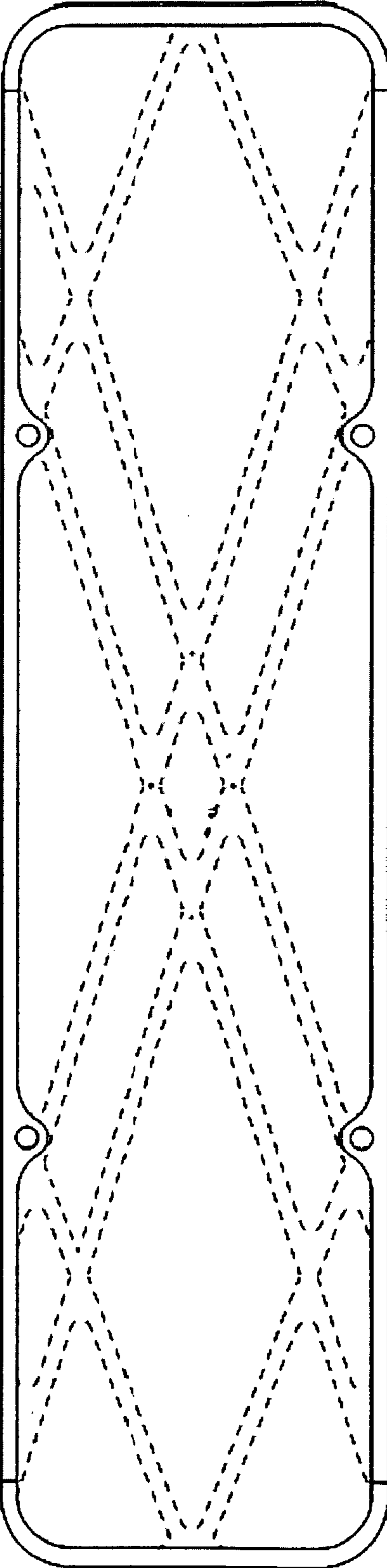


FIGURE 5

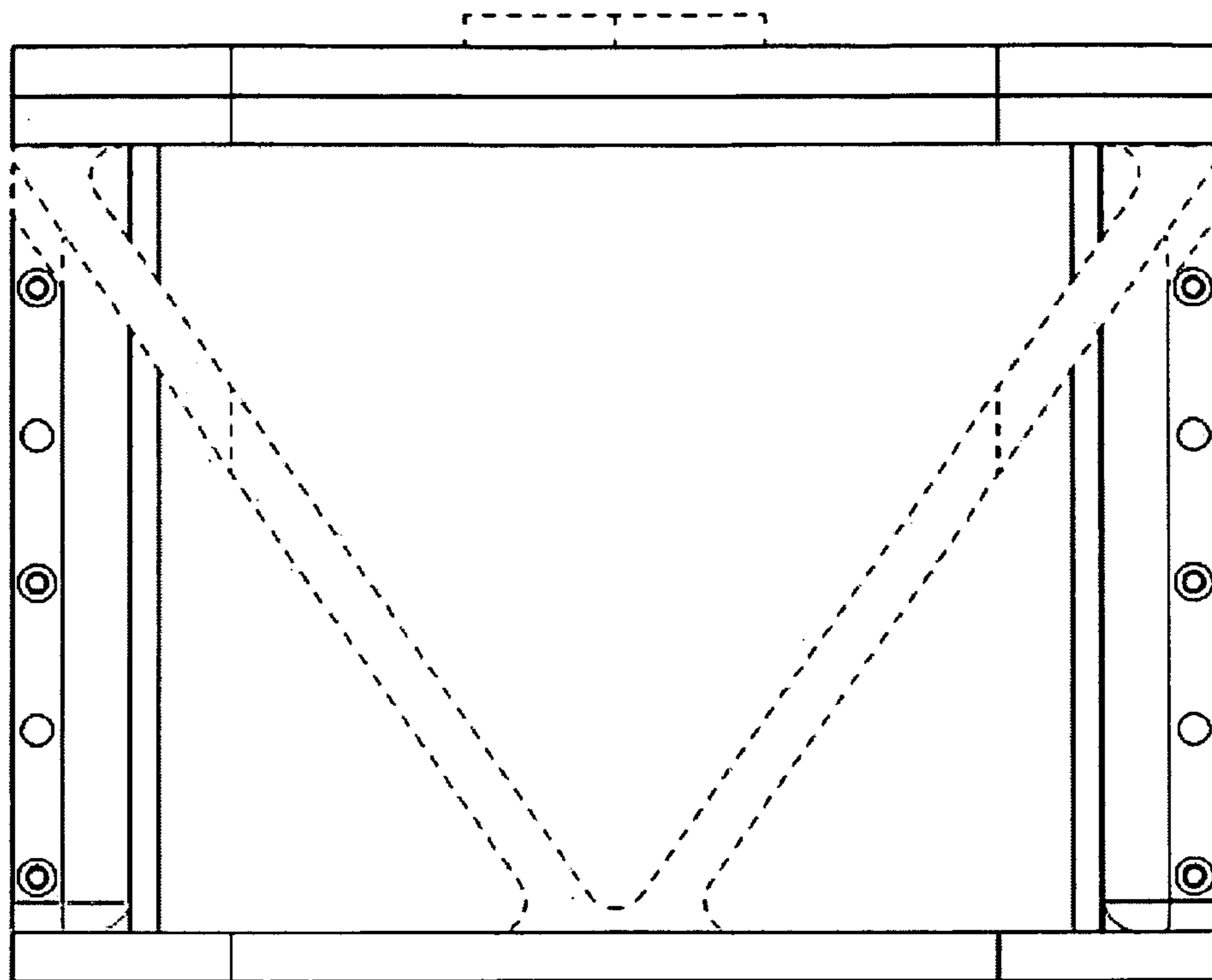


FIGURE 6

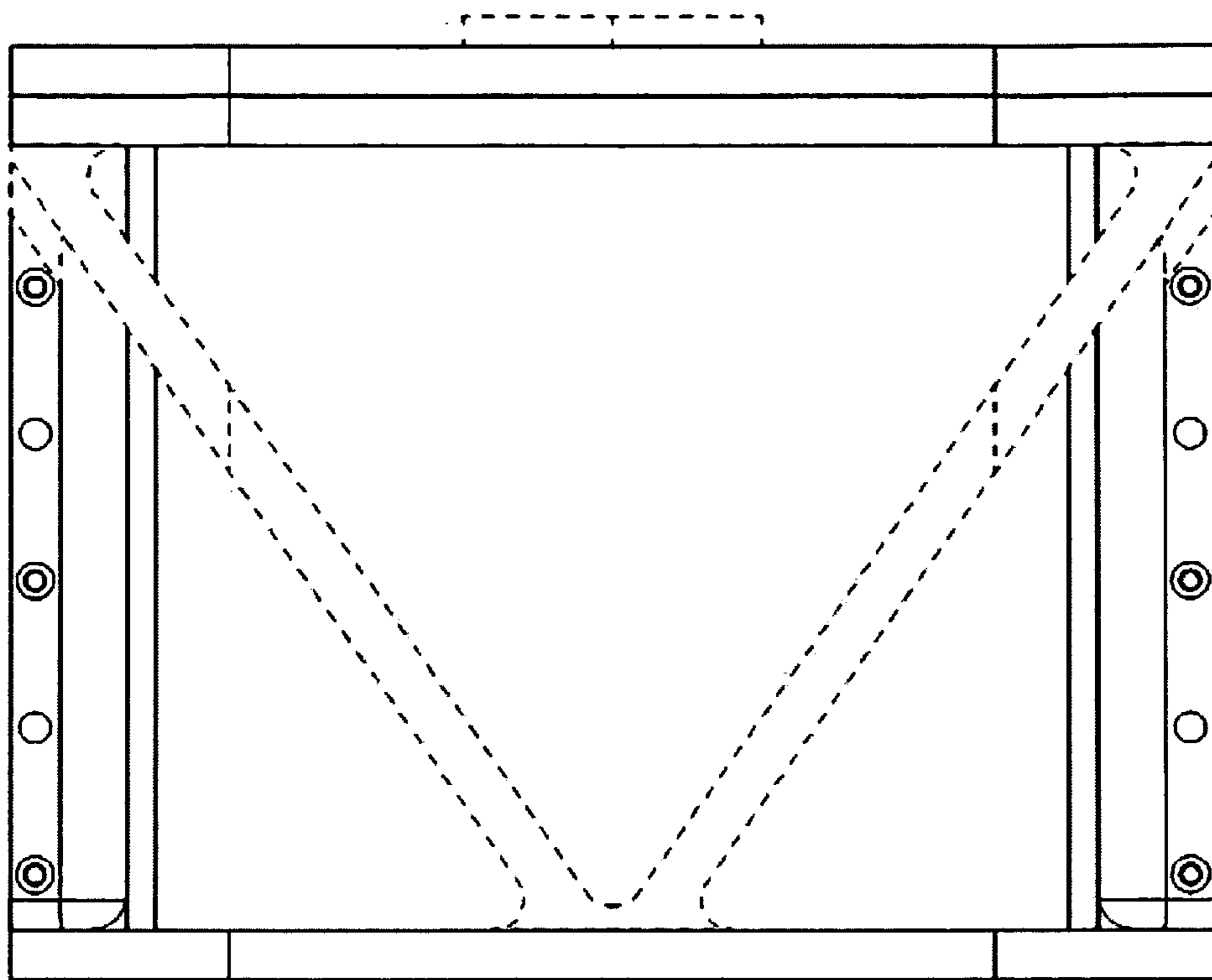


FIGURE 7