



US00D591768S

(12) **United States Design Patent**
Grybush et al.

(10) **Patent No.:** **US D591,768 S**
(45) **Date of Patent:** **** May 5, 2009**

(54) **ENGINE MUFFLER COVER**

(75) Inventors: **Anthony F. Grybush**, Kiel, WI (US);
Steven T. Davis, Provo, UT (US); **Gary C. Stanelle**, Fond du Lac, WI (US)

(73) Assignee: **Tecumseh Power Company**, Grafton, WI (US)

(**) Term: **14 Years**

(21) Appl. No.: **29/296,466**

(22) Filed: **Oct. 22, 2007**

(51) **LOC (9) Cl.** **15-01**

(52) **U.S. Cl.** **D15/5**

(58) **Field of Classification Search** D15/5;
D12/194, 126; 181/200, 204, 211, 212, 227,
181/228, 230, 240-245, 247-253, 282; 180/89.2,
180/219; 165/134.1; 127/83; 123/195 C,
123/315, 198 E; 280/304.3

See application file for complete search history.

(56) **References Cited**

U.S. PATENT DOCUMENTS

4,811,705 A 3/1989 Ono et al.
4,832,151 A * 5/1989 Araki 181/211
6,167,861 B1 1/2001 Kouchi et al.
D457,891 S 5/2002 Matre

D491,192 S 6/2004 Davis
D491,193 S 6/2004 Davis
6,957,639 B2 10/2005 Yamada et al.
D529,046 S 9/2006 Maeda et al.
D531,642 S * 11/2006 Maeda et al. D15/5
D536,004 S 1/2007 Ryczek et al.

* cited by examiner

Primary Examiner—Lisa P Lichtenstein

(74) *Attorney, Agent, or Firm*—Baker & Daniels LLP

(57) **CLAIM**

The ornamental design for an engine muffler cover, as shown and described.

DESCRIPTION

FIG. 1 is a front perspective view of an engine muffler cover according to our new design;

FIG. 2 is a front view thereof;

FIG. 3 is a rear view thereof;

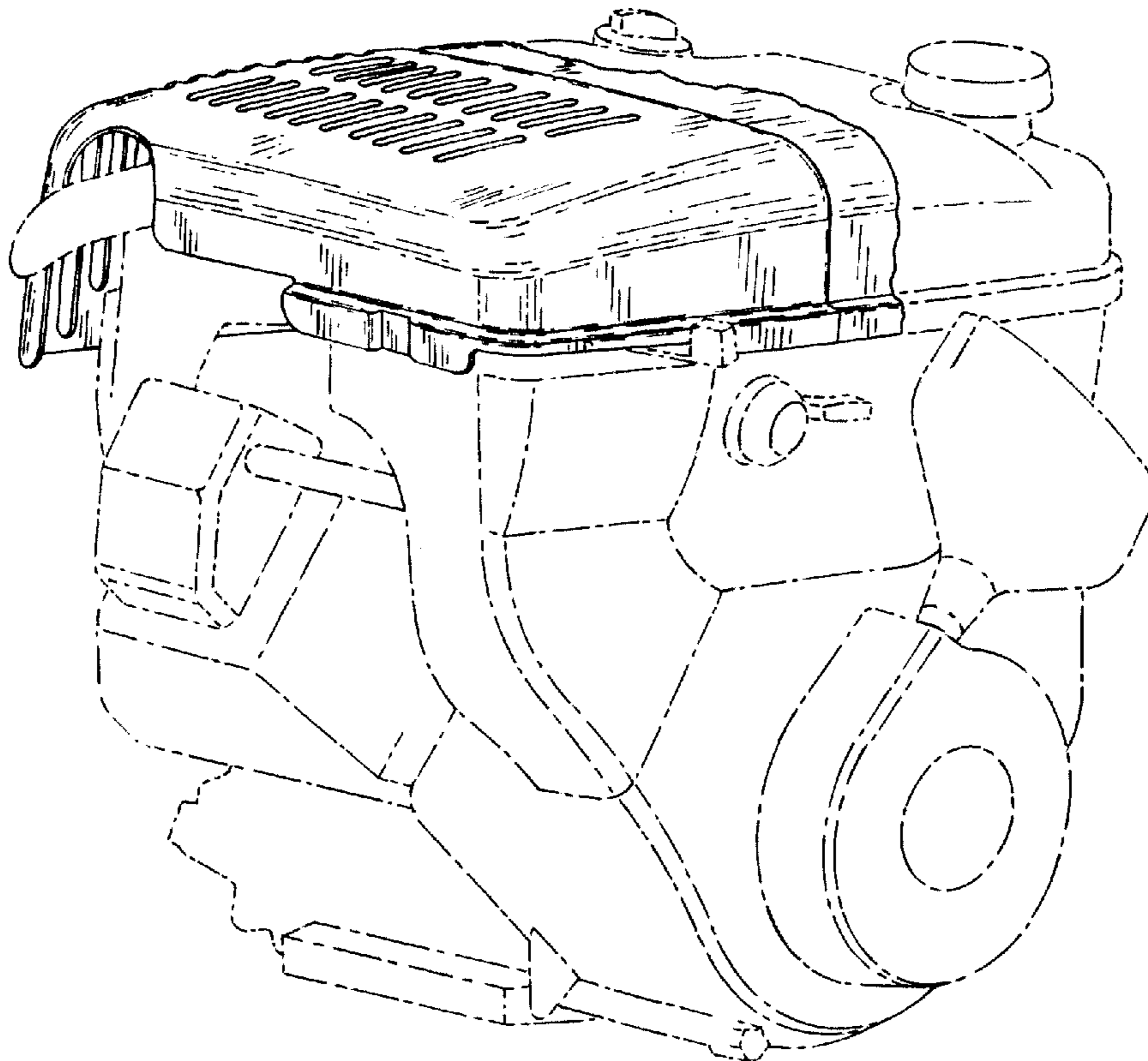
FIG. 4 is a left side view thereof;

FIG. 5 is a right side view thereof; and,

FIG. 6 is a top view thereof.

The broken line showing of an engine is included for the purpose of illustrating environmental structure and forms no part of the claimed design.

1 Claim, 6 Drawing Sheets



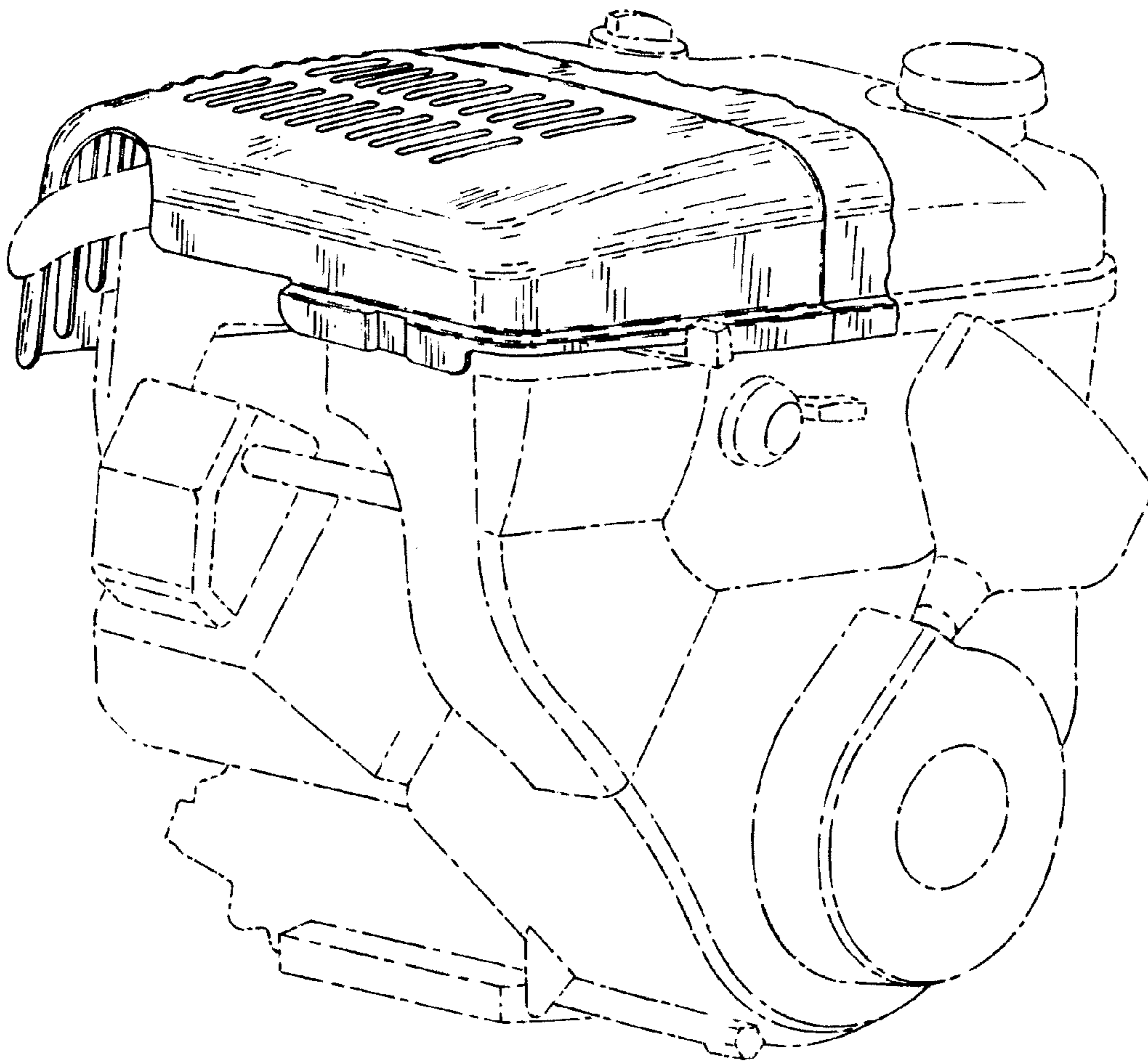


FIG. 1

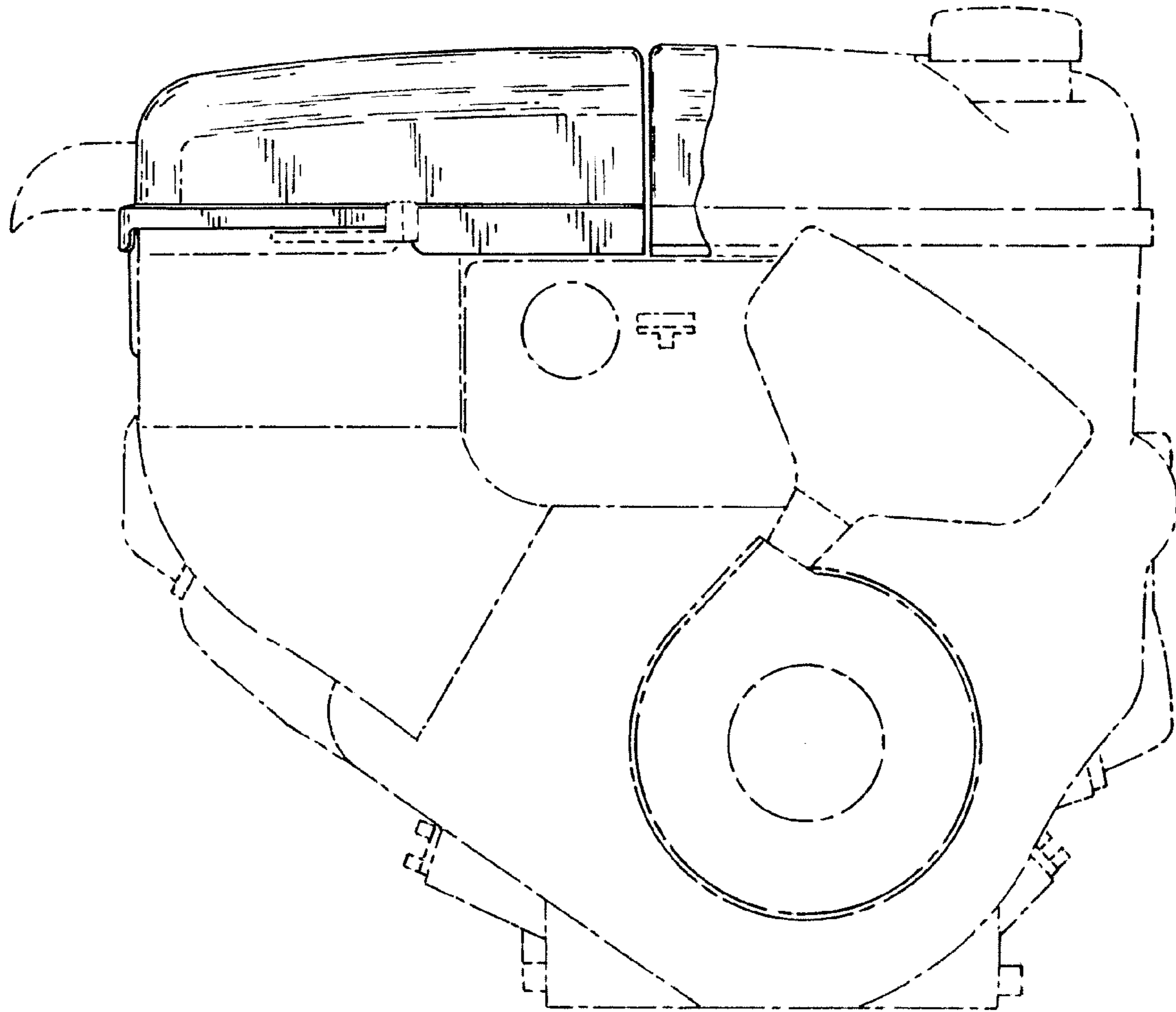


FIG. 2

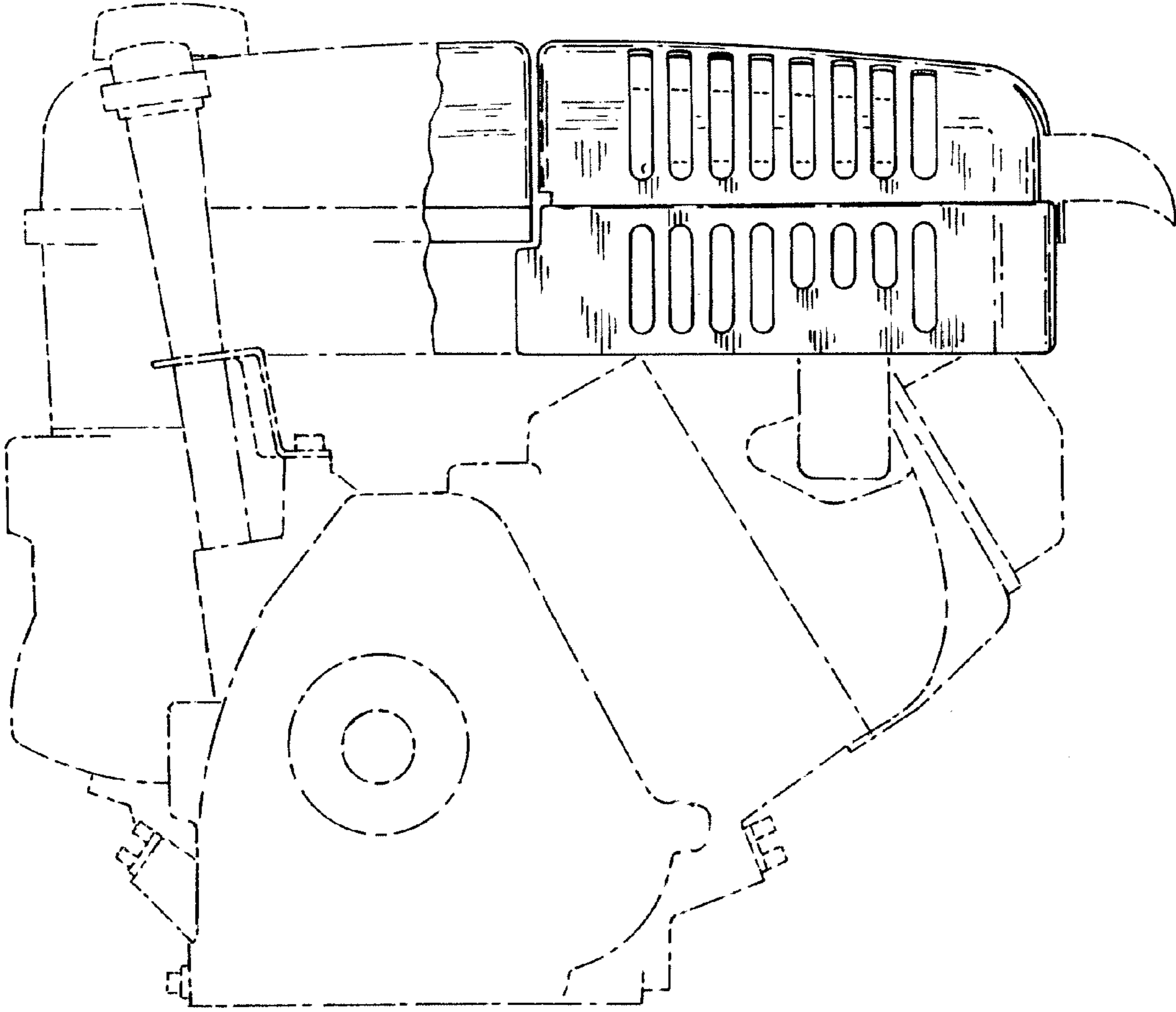


FIG. 3

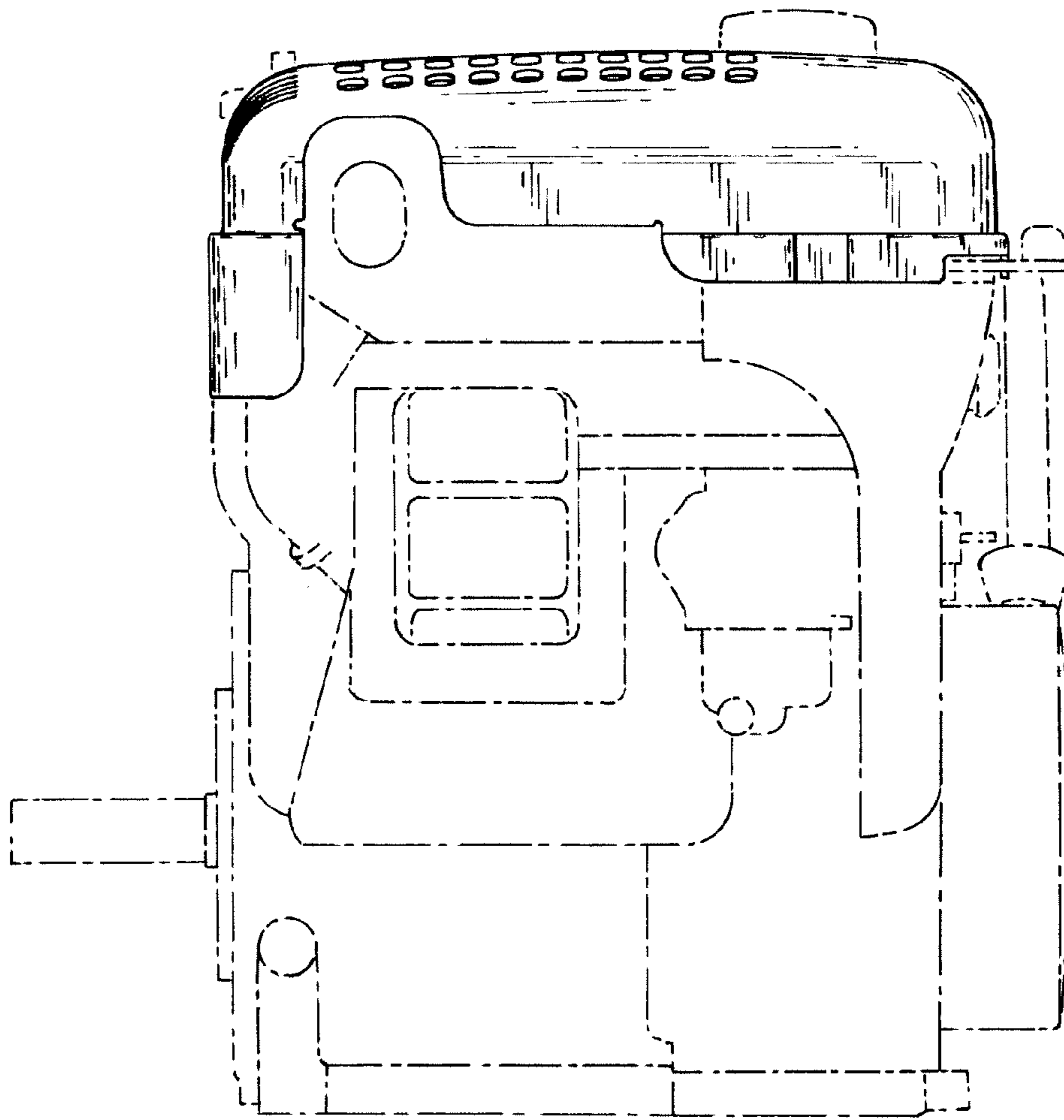


FIG. 4

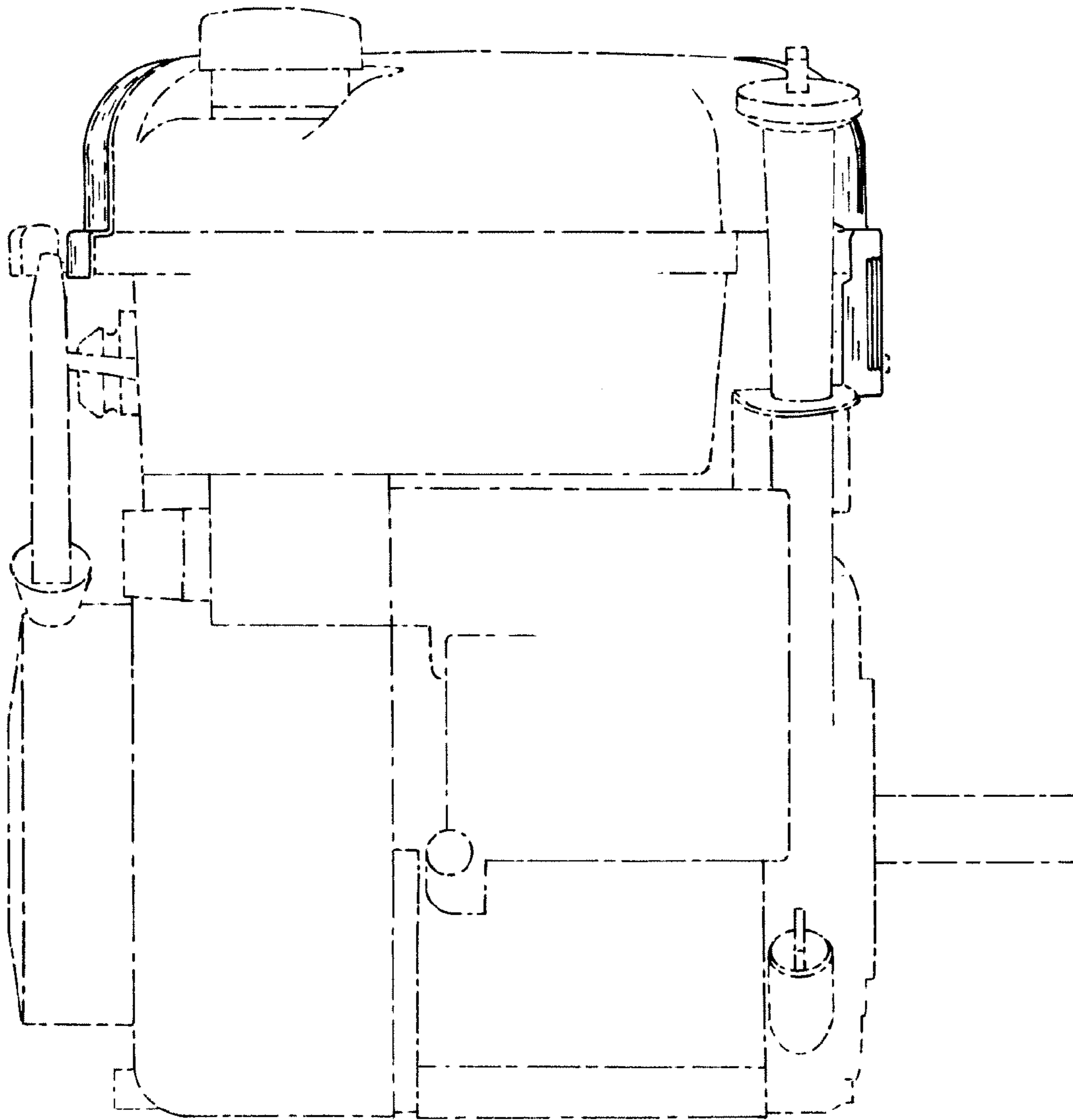


FIG. 5

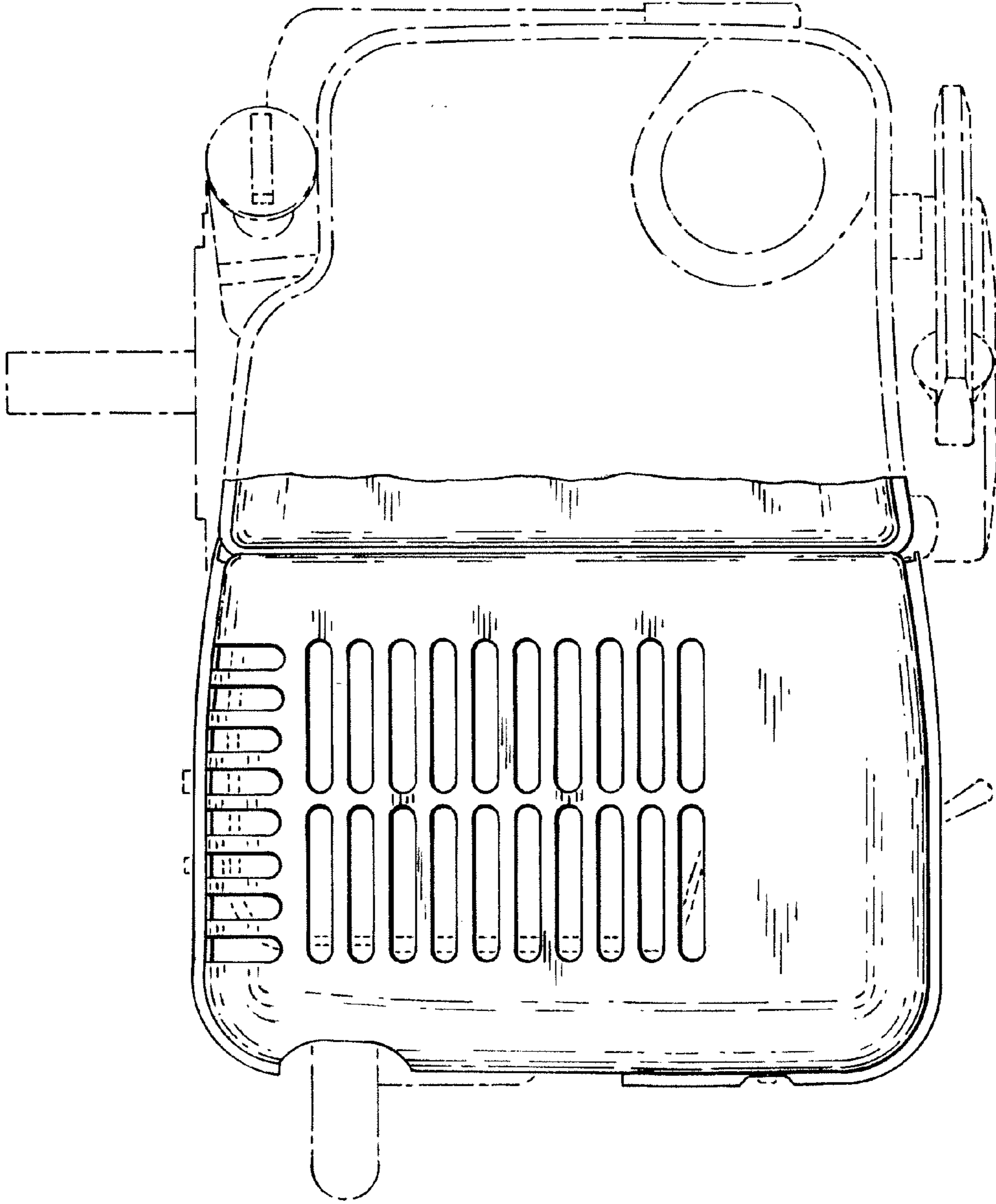


FIG. 6