



US00D591767S

(12) **United States Design Patent**
Lee

(10) **Patent No.:** **US D591,767 S**
(45) **Date of Patent:** **** May 5, 2009**

(54) **INTERNAL COMBUSTION ENGINE**

D398,010 S * 9/1998 Yoshida et al. D15/1
D572,271 S * 7/2008 Maeda D15/1

(75) Inventor: **Shin-Chang Lee**, Hsinchu County (TW)

(73) Assignee: **Sanyang Industry Co., Ltd.**, Hsinchu County (TW)

* cited by examiner

Primary Examiner—Lisa P Lichtenstein
(74) *Attorney, Agent, or Firm*—Quintero Law Office

(**) Term: **14 Years**

(21) Appl. No.: **29/303,864**

(57) **CLAIM**

(22) Filed: **Feb. 19, 2008**

The ornamental design for an internal combustion engine, as shown and described.

(30) **Foreign Application Priority Data**

Dec. 31, 2007 (TW) 96307149

DESCRIPTION

(51) **LOC (9) Cl.** **15-01**

(52) **U.S. Cl.** **D15/1**

(58) **Field of Classification Search** D15/1,
D15/3, 5, 17; 123/50 A, 50 B, 50 R, 198 E,
123/306, 308, 667, 41.7, 70 R

See application file for complete search history.

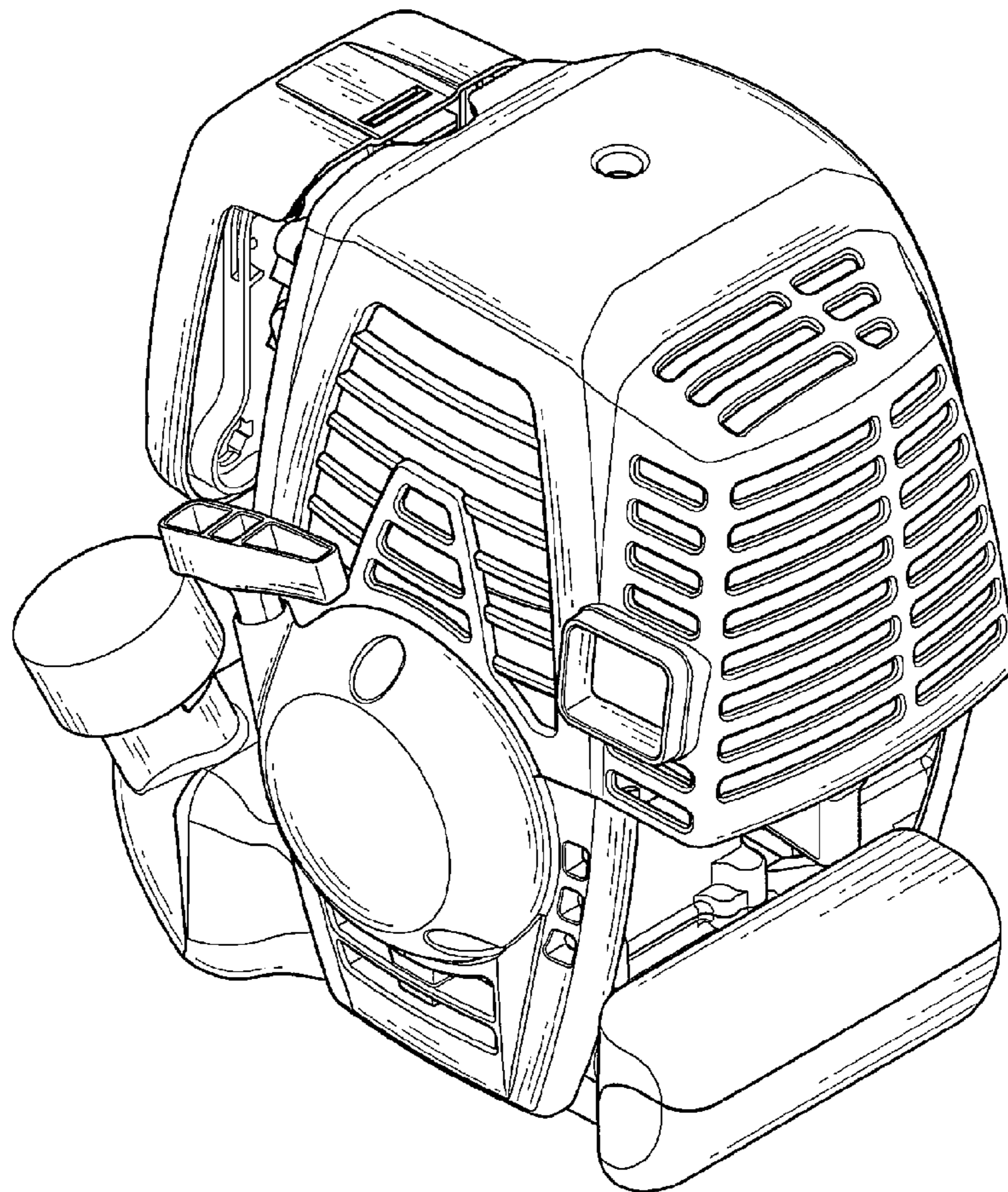
FIG. 1 is a front perspective view thereof;
FIG. 2 is a front elevational view thereof;
FIG. 3 is a rear elevational view thereof;
FIG. 4 is a right side elevational view thereof;
FIG. 5 is a left side elevational view thereof;
FIG. 6 is a top plan view thereof; and,
FIG. 7 is a bottom plan view thereof.

(56) **References Cited**

U.S. PATENT DOCUMENTS

D324,221 S * 2/1992 Kiyooka et al. D15/1

1 Claim, 7 Drawing Sheets



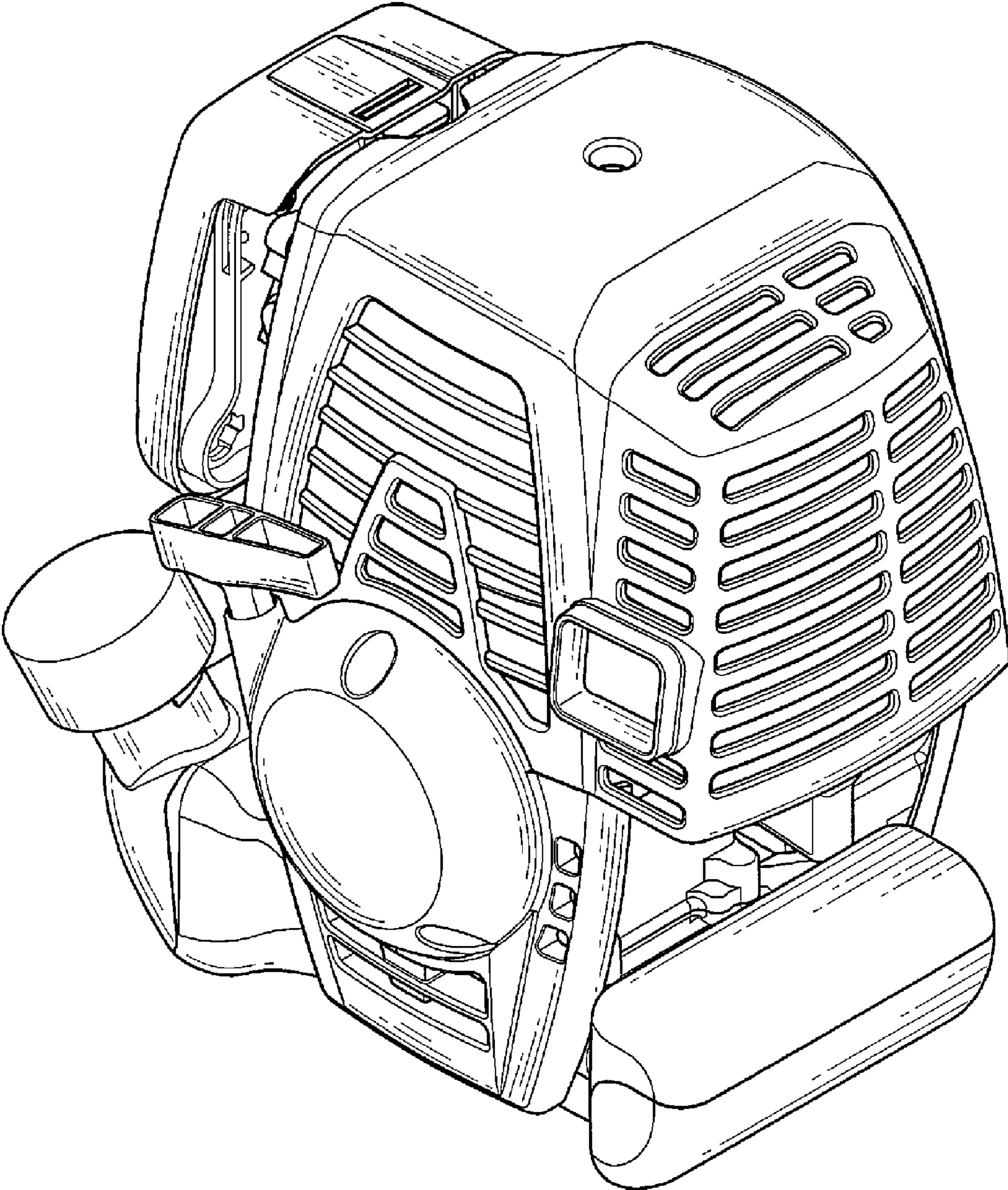


FIG. 1

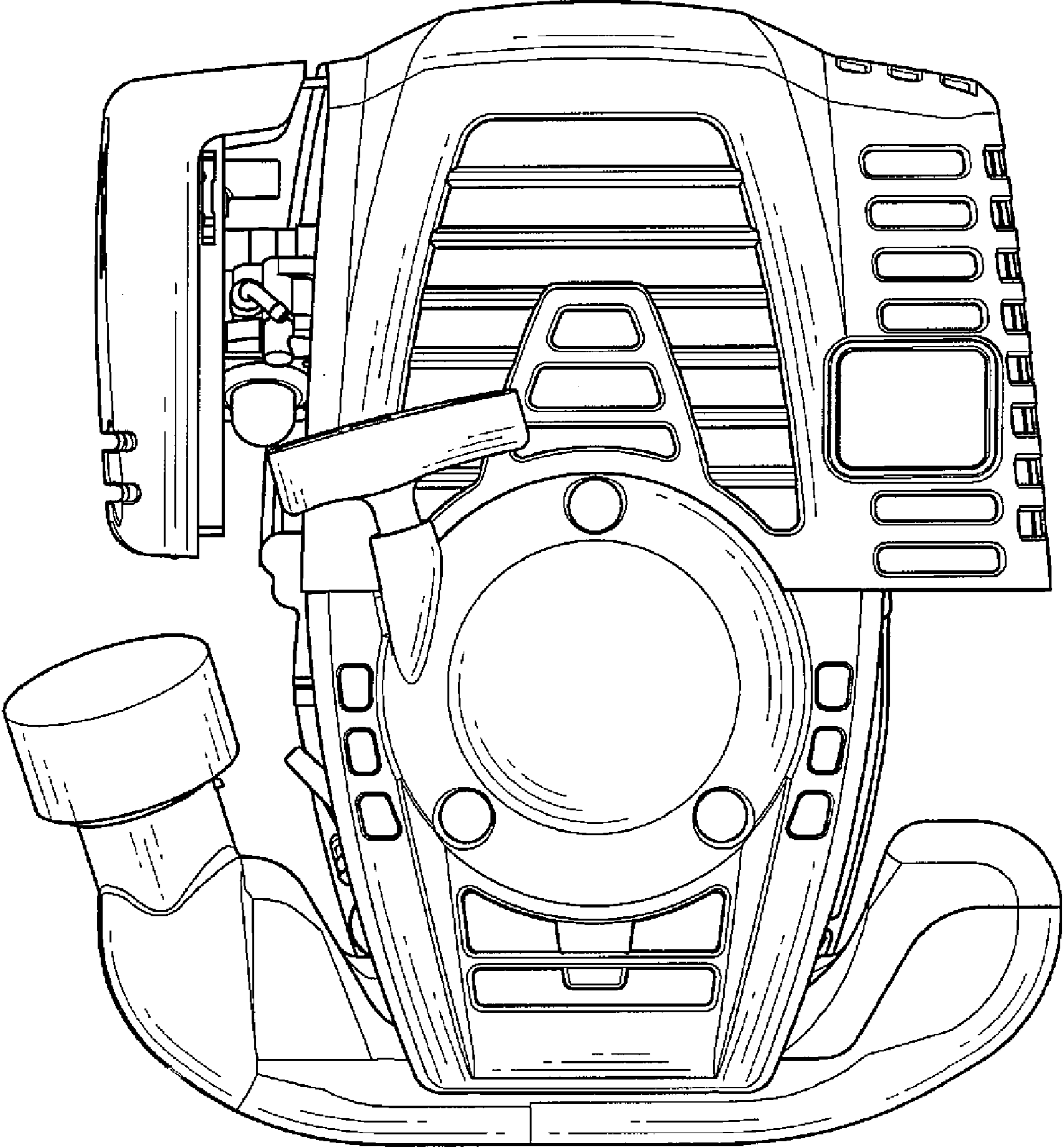


FIG. 2

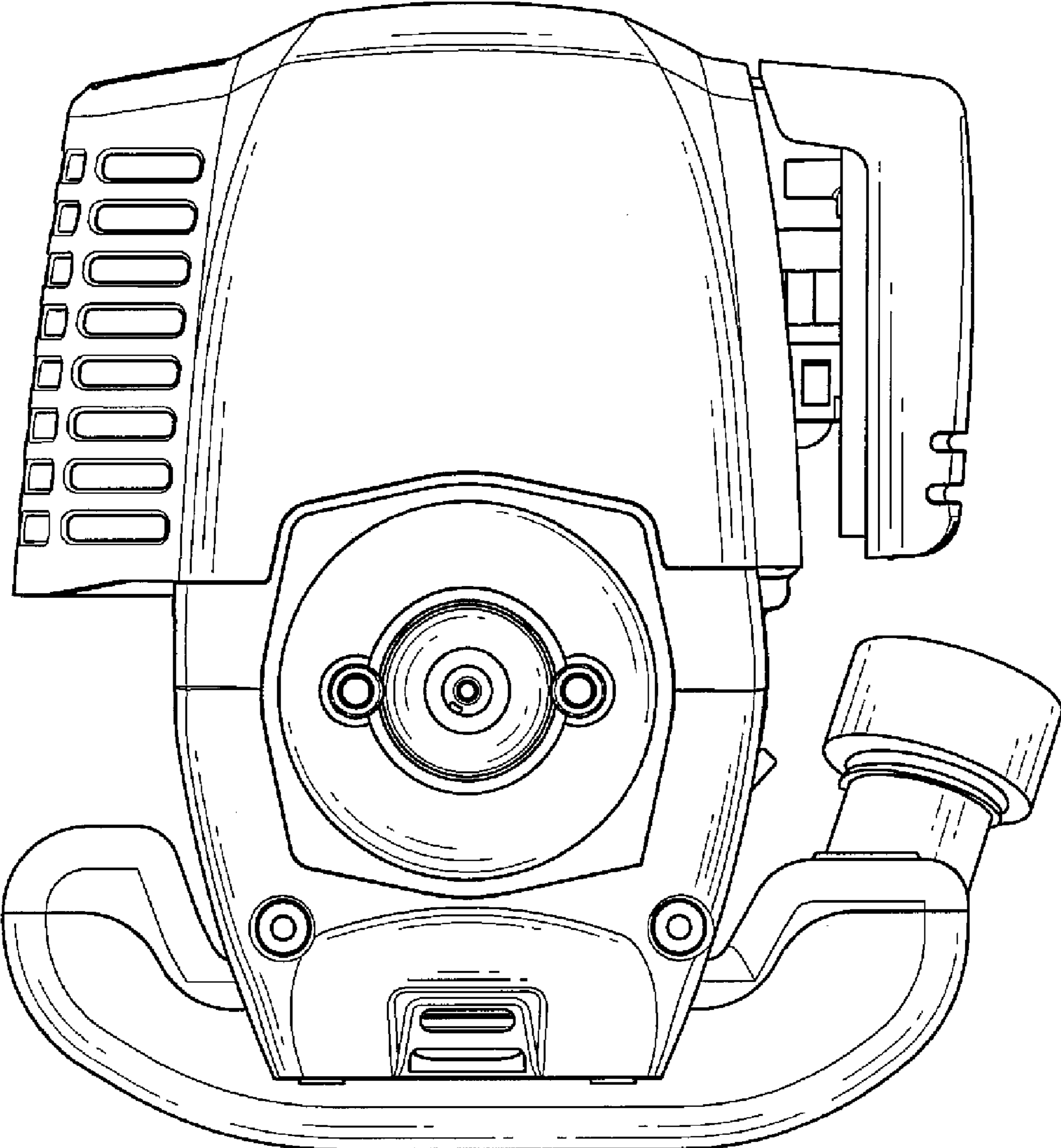


FIG. 3

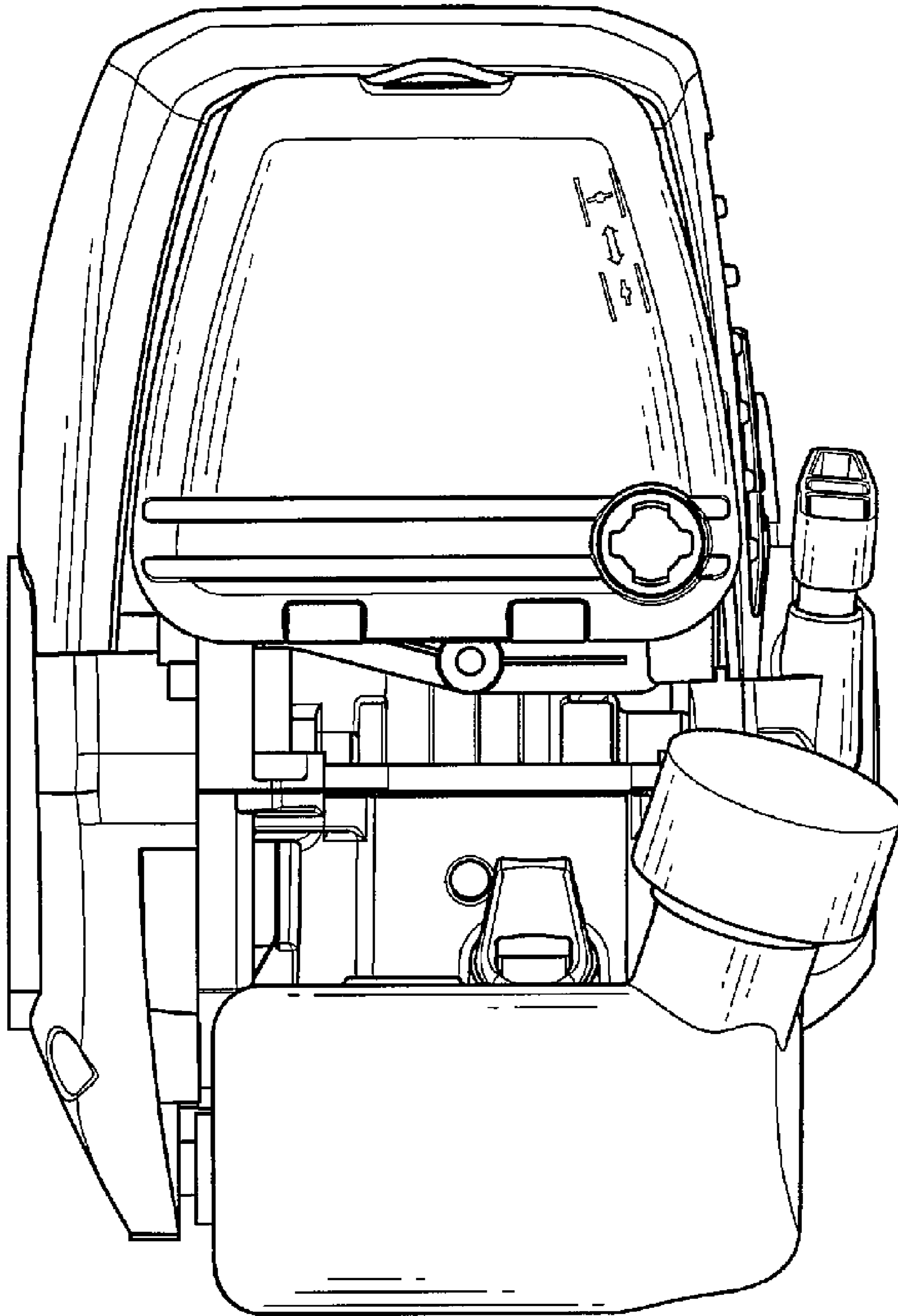


FIG. 4

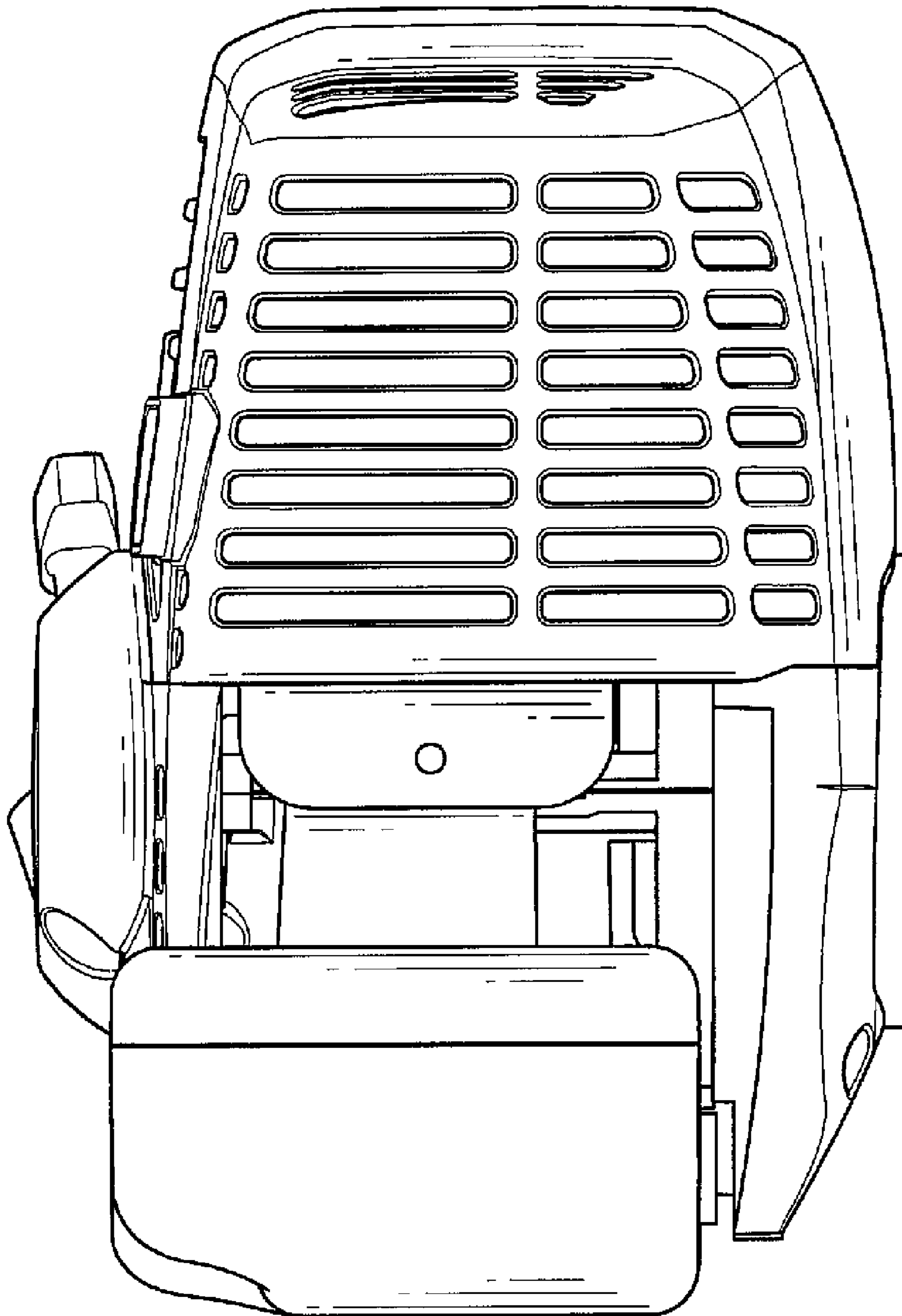


FIG. 5

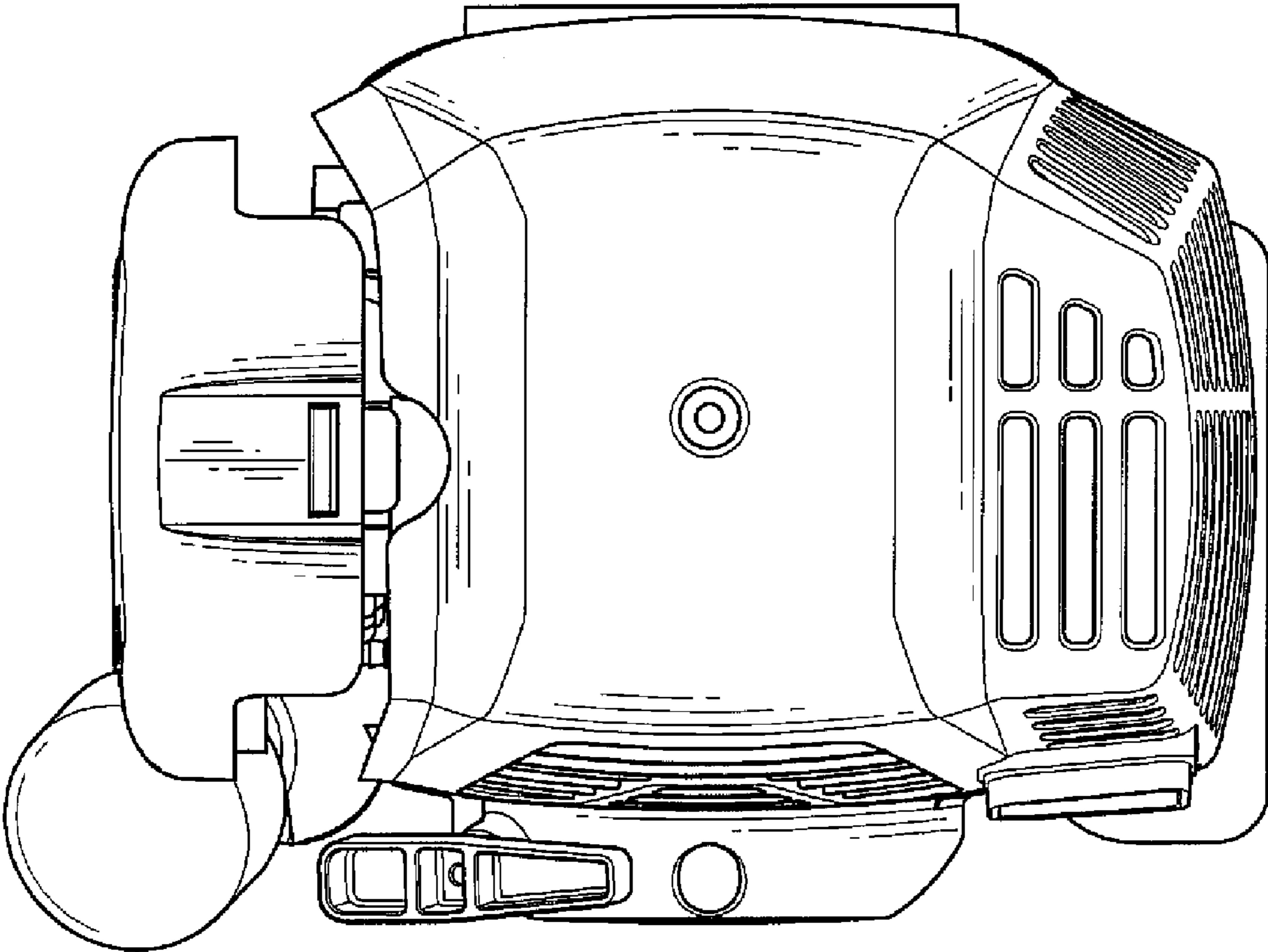


FIG. 6

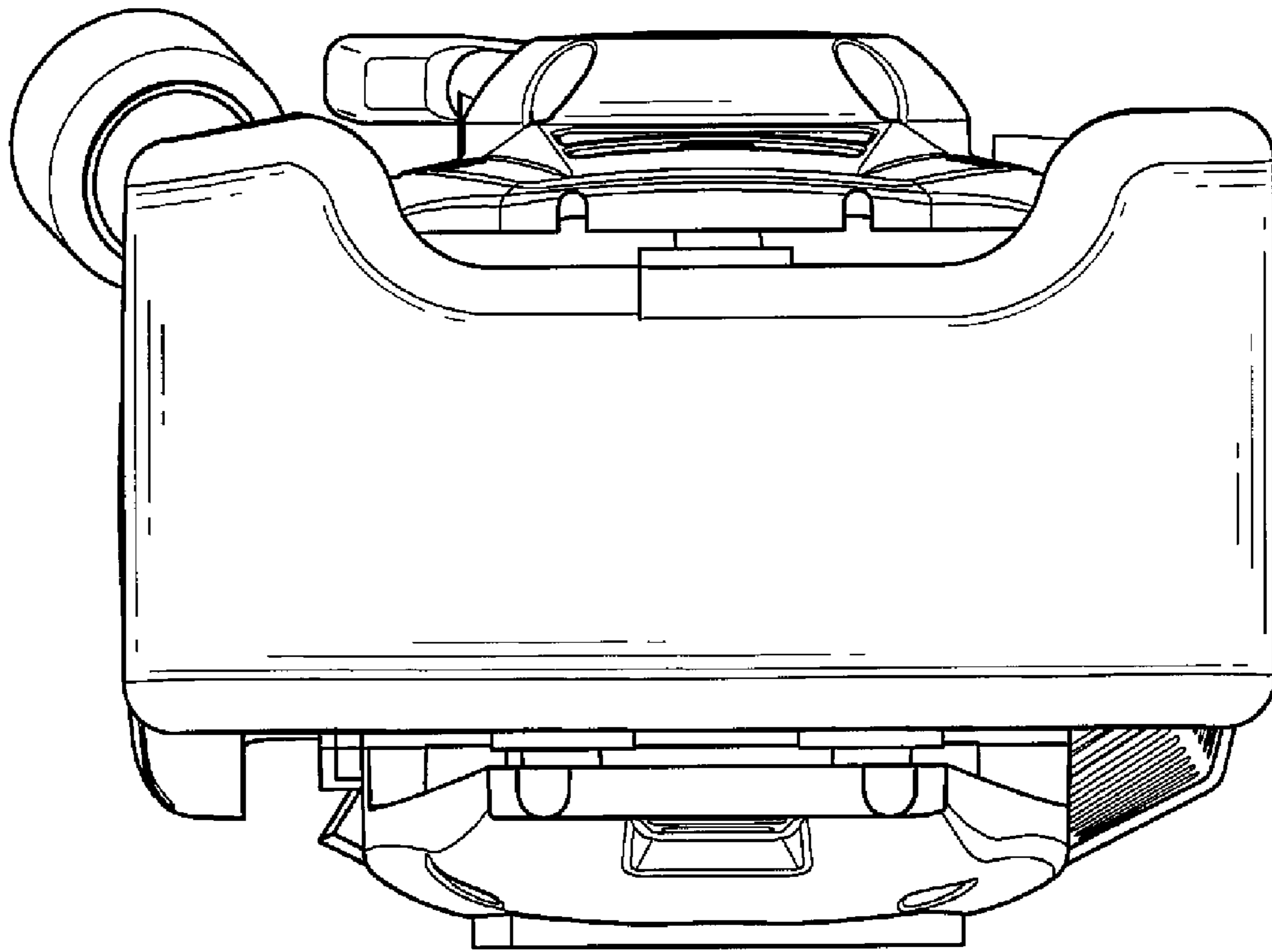


FIG. 7