



US00D591758S

(12) **United States Design Patent**
Lee

(10) **Patent No.:** **US D591,758 S**
(45) **Date of Patent:** **** May 5, 2009**

(54) **FACE OF A TELEPHONE MEMORY STICK**

(75) Inventor: **Randy Lee**, Mountain View, CA (US)

(73) Assignee: **Sparktech Corporation**

(**) Term: **14 Years**

(21) Appl. No.: **29/285,199**

(22) Filed: **Mar. 23, 2007**

(51) **LOC (9) Cl.** **14-02**

(52) **U.S. Cl.** **D14/480.7; D14/435.1;**
D14/480.1

(58) **Field of Classification Search** D14/435,
D14/356, 242, 436, 433, 474, 240, 496, 385,
D14/358, 480.1, 480.7; 360/97.01, 685,
360/686, 752, 737, 732, 784, 803; 439/135,
439/144, 139-141, 147, 136, 638, 518, 131;
365/51, 63, 131; 710/52, 300, 313; 711/115,
711/103, 154, 161-162; 70/58; 323/210;
713/186, 1; 382/124; 235/492; D13/147;
455/557, 550.1, 95, 575.8

See application file for complete search history.

(56) **References Cited**

U.S. PATENT DOCUMENTS

D268,931 S *	5/1983	Ellis et al.	D14/433
D296,440 S *	6/1988	Smith et al.	D14/432
D357,684 S *	4/1995	Moreland	D14/240
D383,732 S *	9/1997	Haley et al.	D14/435
D398,605 S *	9/1998	Murray et al.	D14/137
D417,661 S *	12/1999	Renk	D14/356
D427,193 S *	6/2000	Fedele	D14/348
D444,788 S	7/2001	Do et al.	
D445,422 S *	7/2001	Hsin	D14/385
D449,615 S	10/2001	Lloyd	
D462,689 S	9/2002	Moran	
D463,426 S	9/2002	Cheng	
6,456,500 B1	9/2002	Chen	
6,522,534 B1	2/2003	Wu	

(Continued)

OTHER PUBLICATIONS

U.S. Appl. No. 29/285,200, filed Mar. 23, 2007, Applicant/Inventor:
Randy Lee.

U.S. Appl. No. 29/285,201, filed Mar. 23, 2007, Applicant/Inventor:
Randy Lee.

Primary Examiner—Susan Moon Lee

(74) *Attorney, Agent, or Firm*—David Lewis

(57) **CLAIM**

The ornamental design for a face of a telephone memory stick, as shown and described.

DESCRIPTION

The telephone memory stick may be used for transferring information between a mobile phone and another device and/or storing information. In other words, the telephone memory stick may be used for downloading and uploading multiple type of information from a mobile phone, storing the information downloaded, downloading and uploading information from a computer.

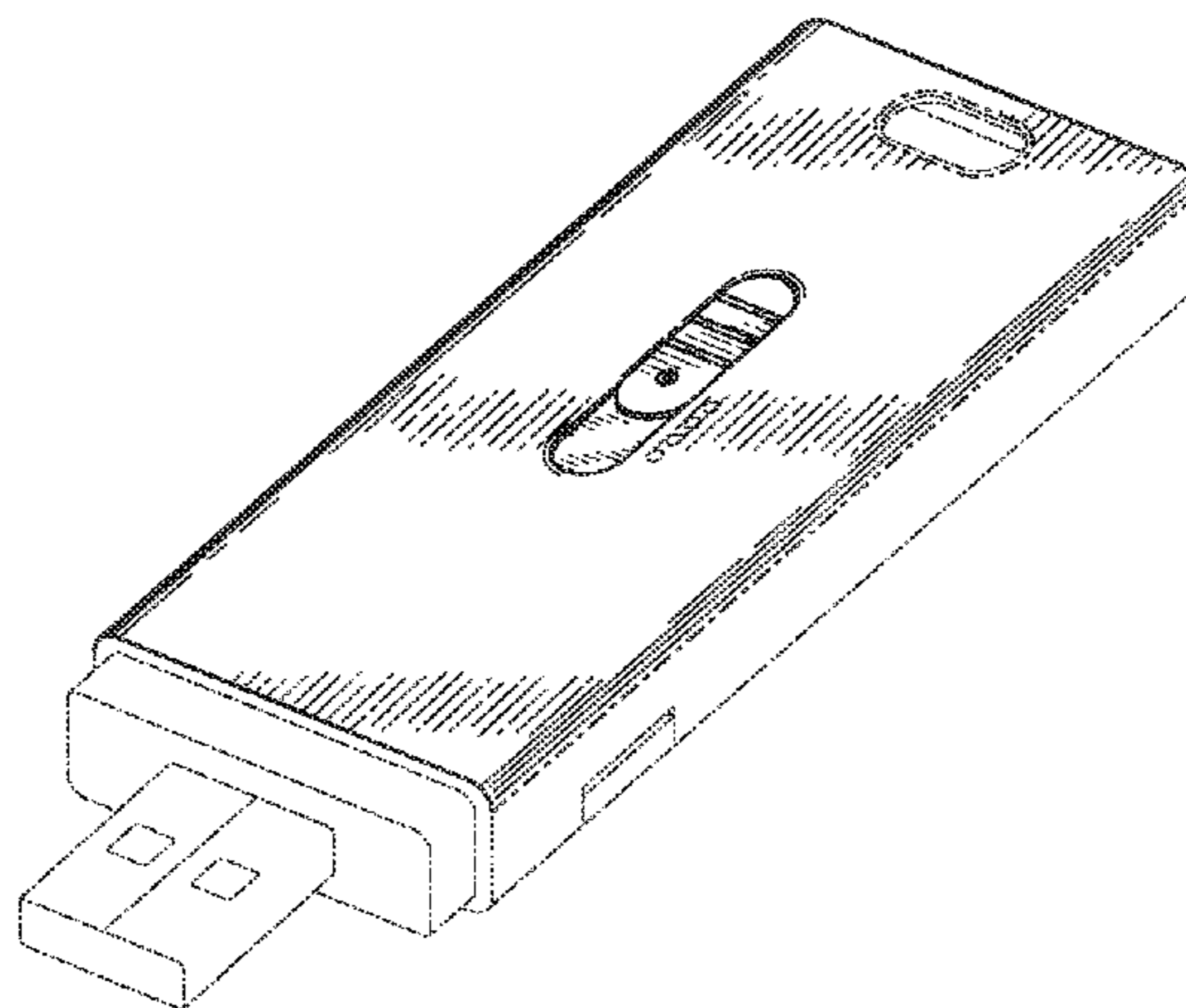
FIG. 1 is a perspective view of a face of a telephone memory stick;

FIG. 2 is a top plan view of the face of a telephone memory stick of FIG. 1; and,

FIG. 3 is a right side elevational view of the face of a telephone memory stick of FIG. 1; the left side elevational view is a mirror image of the right side.

Two types of broken lines appear in the figures. The broken lines immediately adjacent the shaded areas represent the bounds of the claimed design while all other broken lines are directed to environment and are for illustrative purposes only; the broken lines form no part of the claimed design. With the exception of the left side elevational view, which is described in the above figure descriptions, the sides that are not shown are not claimed.

1 Claim, 2 Drawing Sheets



US D591,758 S

Page 2

U.S. PATENT DOCUMENTS

D471,516 S	3/2003	Tsay et al.			
6,561,421 B1	5/2003	Yu			
6,618,243 B1	9/2003	Tirosh			
6,650,534 B2	11/2003	Tree			
6,671,808 B1	12/2003	Abbott et al.			
6,763,410 B2 *	7/2004	Yu	710/74		
D494,969 S	8/2004	Lin			
6,804,749 B2 *	10/2004	Chien et al.	711/115		
D500,485 S *	1/2005	Deguchi	D14/480.1		
6,854,984 B1 *	2/2005	Lee et al.	439/79		
6,891,721 B2 *	5/2005	Huang	361/685		
6,930,987 B1 *	8/2005	Fukuda et al.	370/328		
6,963,468 B2 *	11/2005	Chang et al.	360/97.01		
D513,005 S *	12/2005	Kobayakawa	D14/480.1		
7,004,780 B1 *	2/2006	Wang	439/353		
7,070,425 B2 *	7/2006	Regen et al.	439/131		
D527,384 S	8/2006	Lee et al.			
D527,733 S	9/2006	Lee et al.			
D527,734 S	9/2006	Lee et al.			
D532,423 S	11/2006	Lee et al.			
2003/0005337 A1	1/2003	Poo et al.			
2003/0043111 A1	3/2003	Huang			
2003/0063196 A1	4/2003	Palatov			
2003/0090472 A1	5/2003	Im			
2003/0137859 A1	7/2003	Sugawara			
2003/0167376 A1	9/2003	Koh			
2003/0183698 A1	10/2003	Wu			
2003/0233519 A1	12/2003	Chien et al.			
2004/0019742 A1 *	1/2004	Wei et al.	711/115		
2004/0038592 A1	2/2004	Yang			
2004/0066726 A1 *	4/2004	Chiang	369/75.1		
2004/0080989 A1 *	4/2004	Yu	365/200		
2004/0083320 A1 *	4/2004	Yu	710/62		
2004/0087213 A1 *	5/2004	Kao	439/638		
2004/0125522 A1 *	7/2004	Chiu et al.	361/56		
2004/0233645 A1 *	11/2004	Chen	361/737		
2004/0233646 A1 *	11/2004	Yen	361/752		
2005/0181645 A1 *	8/2005	Ni et al.	439/79		

* cited by examiner

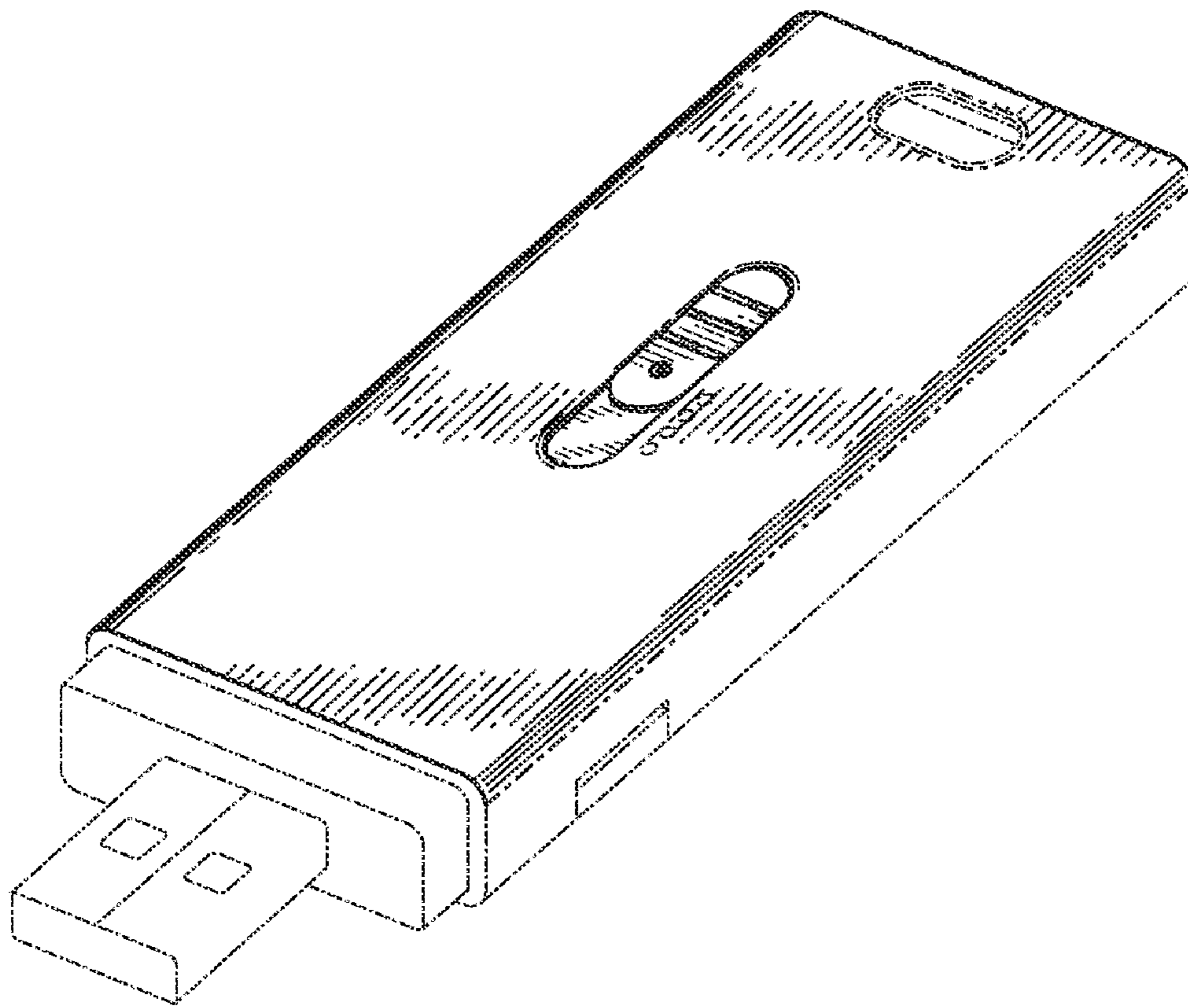


FIG. 1

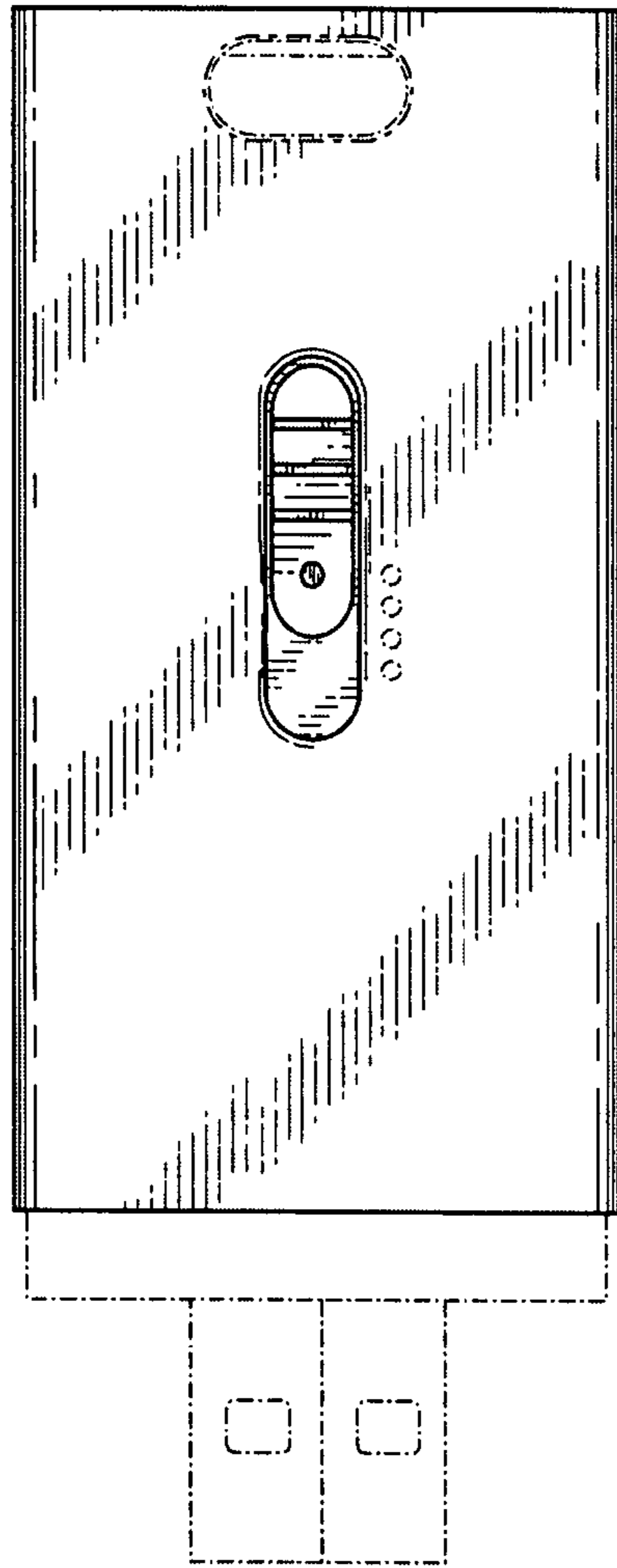


FIG. 2

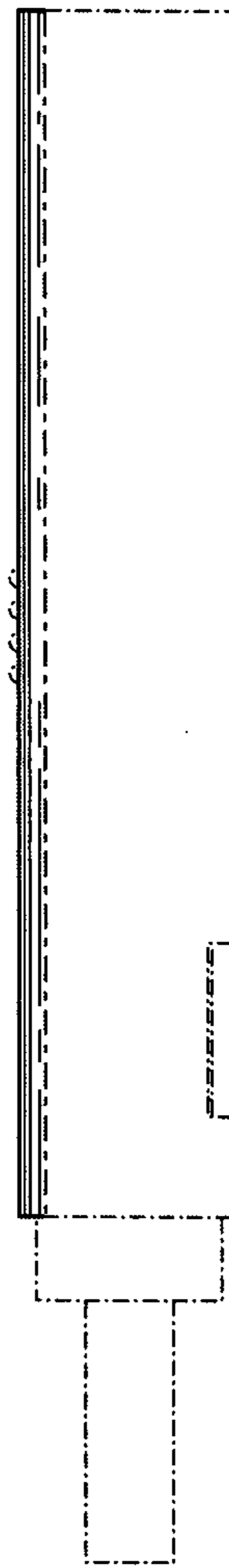


FIG. 3